



US00D358354S

United States Patent [19]

[11] Patent Number: **Des. 358,354**

Weid

[45] Date of Patent: **** May 16, 1995**

[54] GUARDRAIL MARKER

[76] Inventor: **Karl Weid**, 1276 Robinwood Dr., Elgin, Ill. 60123

[**] Term: **14 Years**

[21] Appl. No.: **26,062**

[22] Filed: **Jul. 18, 1994**

[52] U.S. Cl. **D10/111**

[58] Field of Search **D10/109, 111, 113, 121; 116/63 C, 63 P; 359/521, 522, 523, 524, 525, 545, 546, 547, 548, 549, 550; 404/6-15**

[56] References Cited

U.S. PATENT DOCUMENTS

- D. 250,936 1/1979 Schueler D10/111
- D. 282,726 2/1986 Dietz et al. D10/111
- D. 329,394 9/1992 Parsons et al. D10/111
- 4,038,552 7/1977 Ciofalo D10/111

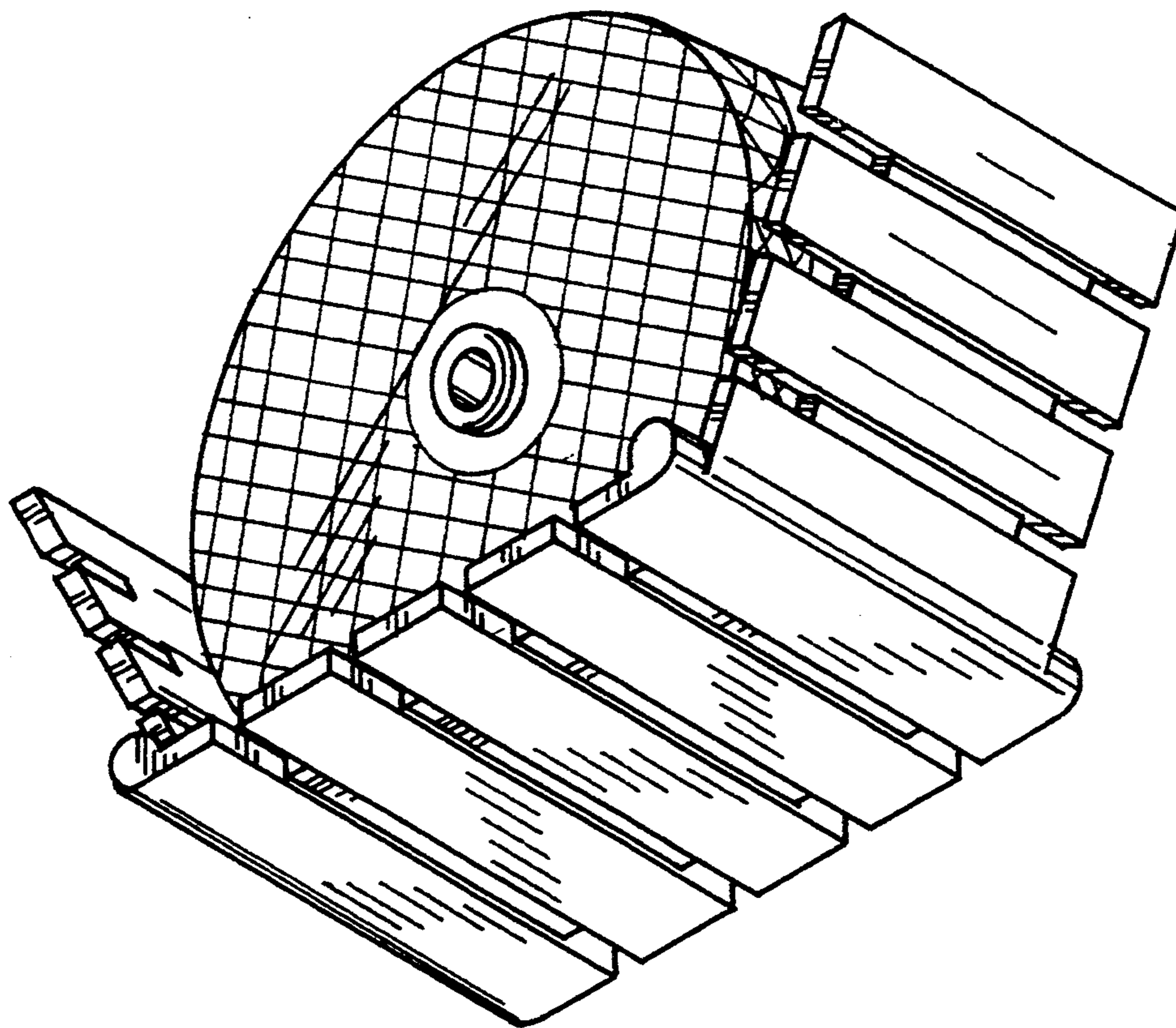
Primary Examiner—James M. Gandy
Assistant Examiner—Marcus Jackson
Attorney, Agent, or Firm—Mathew R. P. Perrone, Jr.

[57] CLAIM

The ornamental design for an guardrail marker, as shown and described.

DESCRIPTION

FIG. 1 is a bottom plan view of a guardrail marker showing my new design;
 FIG. 2 is a perspective view thereof;
 FIG. 3 is a top plan view thereof;
 FIG. 4 is a rear elevational view thereof;
 FIG. 5 is a left side elevational view thereof;
 FIG. 6 is a front elevational view thereof;
 FIG. 7 is a right side elevational view thereof;
 FIG. 8 is a side elevational view of a second embodiment thereof, wherein the only difference resides in the inclusion of a second reflector on the rear surface thereof it being understood that the opposite side is a mirror image; and,
 FIG. 9 is a top plan view thereof, with the bottom being the same as FIG. 1.
 The front and rear of the second embodiment is the same as the front of the first embodiment shown in FIG. 6.



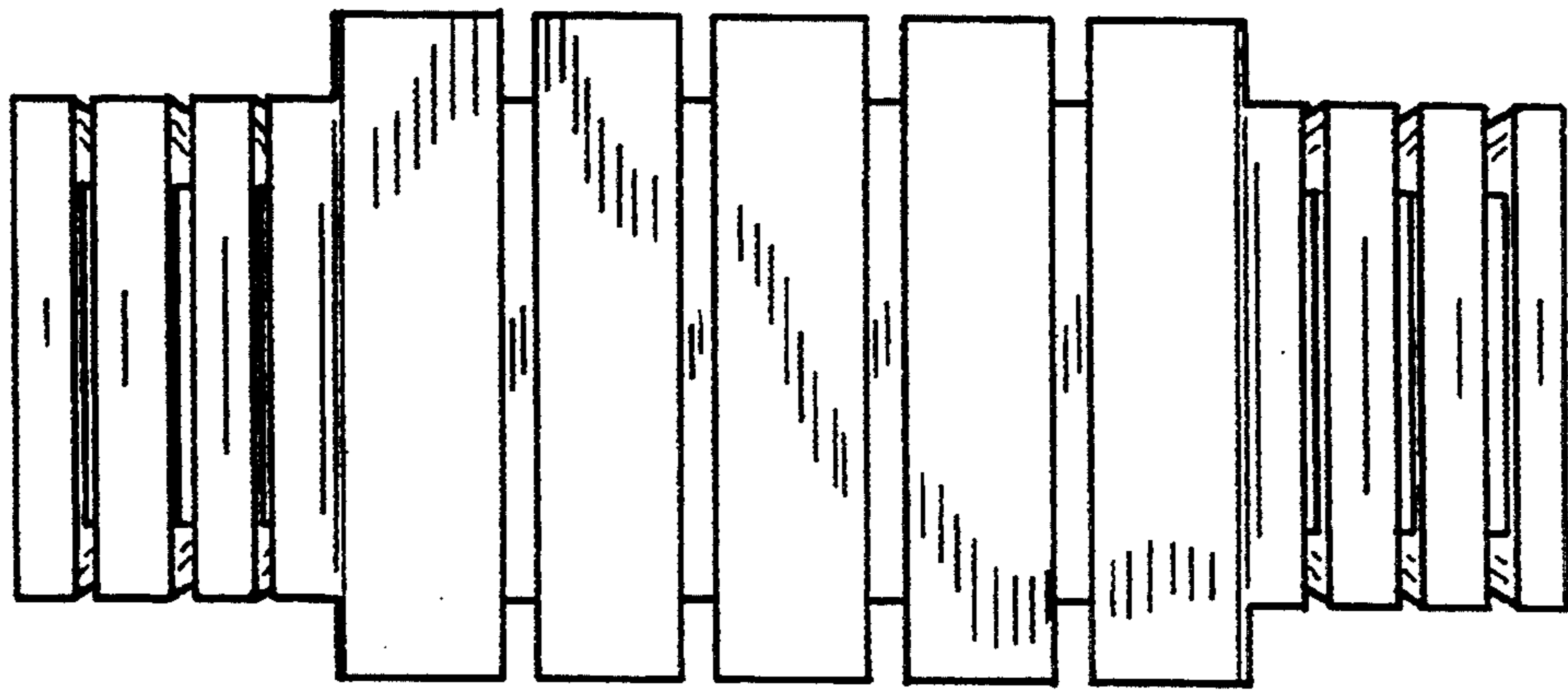


FIG. 1

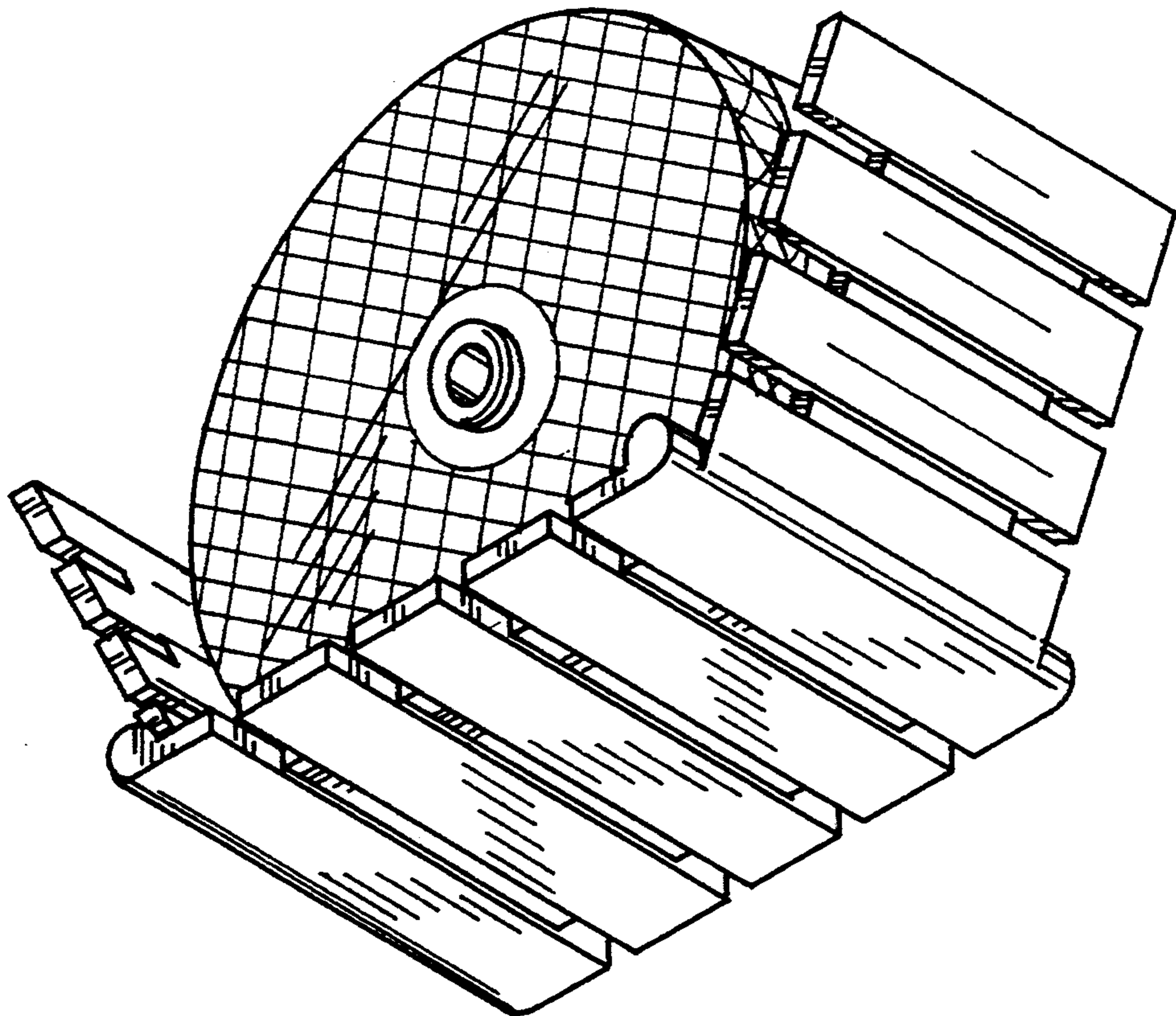


FIG. 2

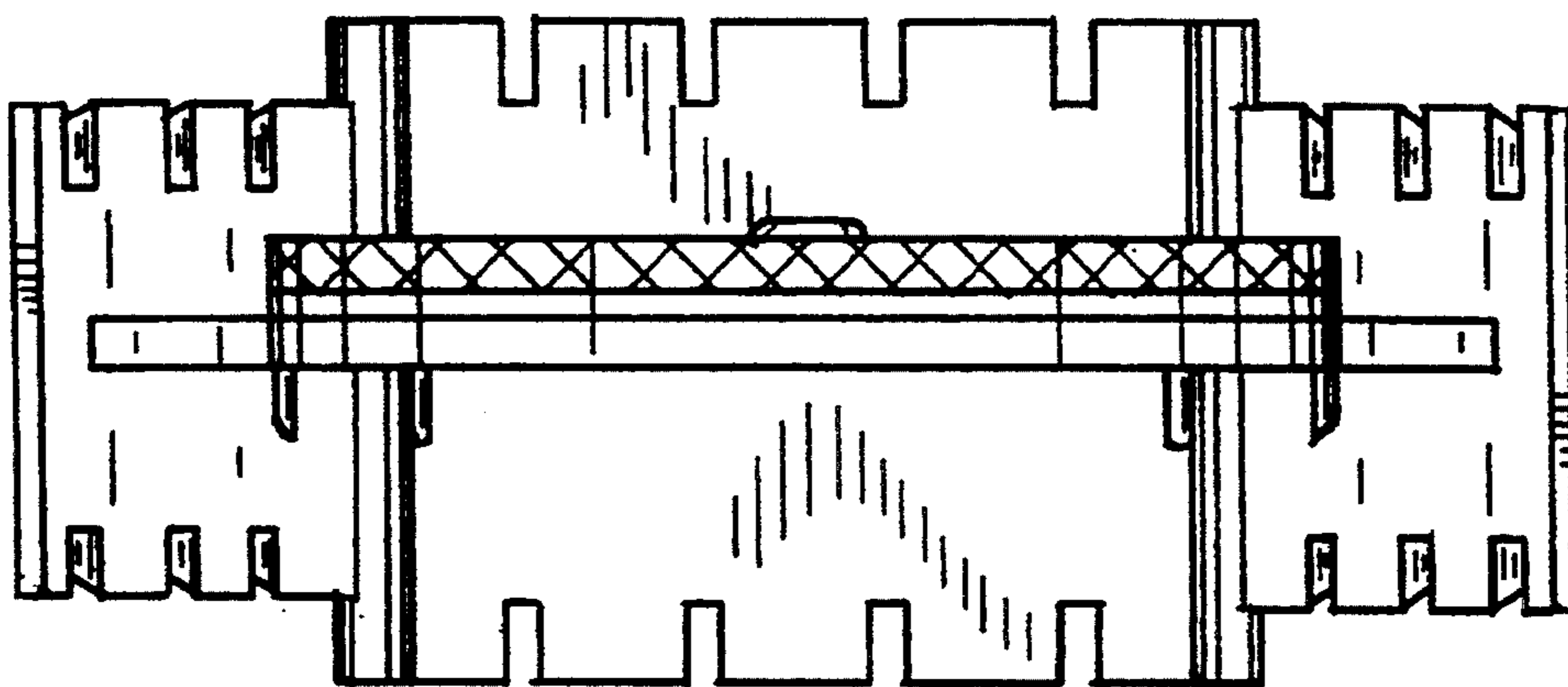


FIG. 3

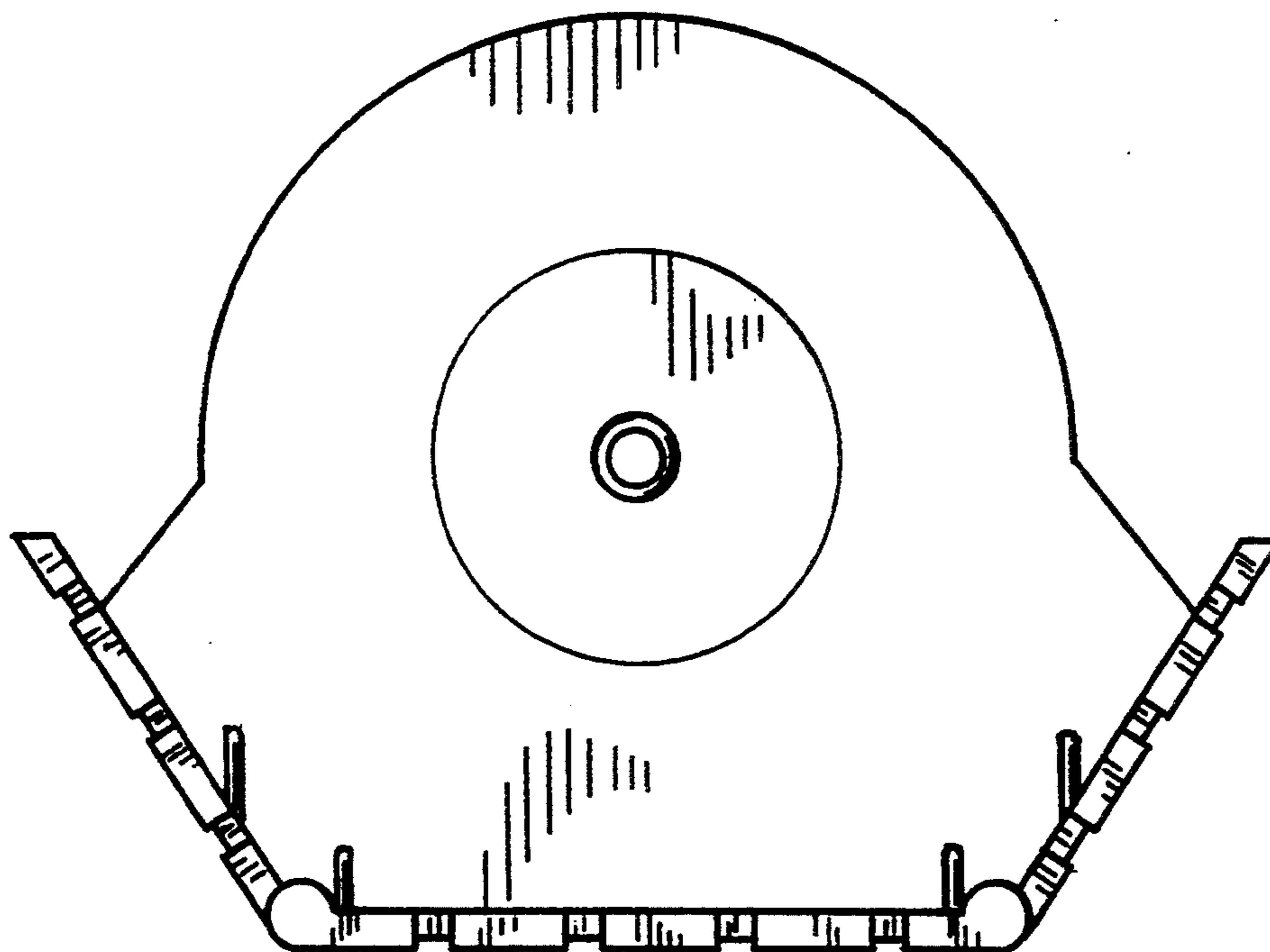


FIG. 4

FIG. 5

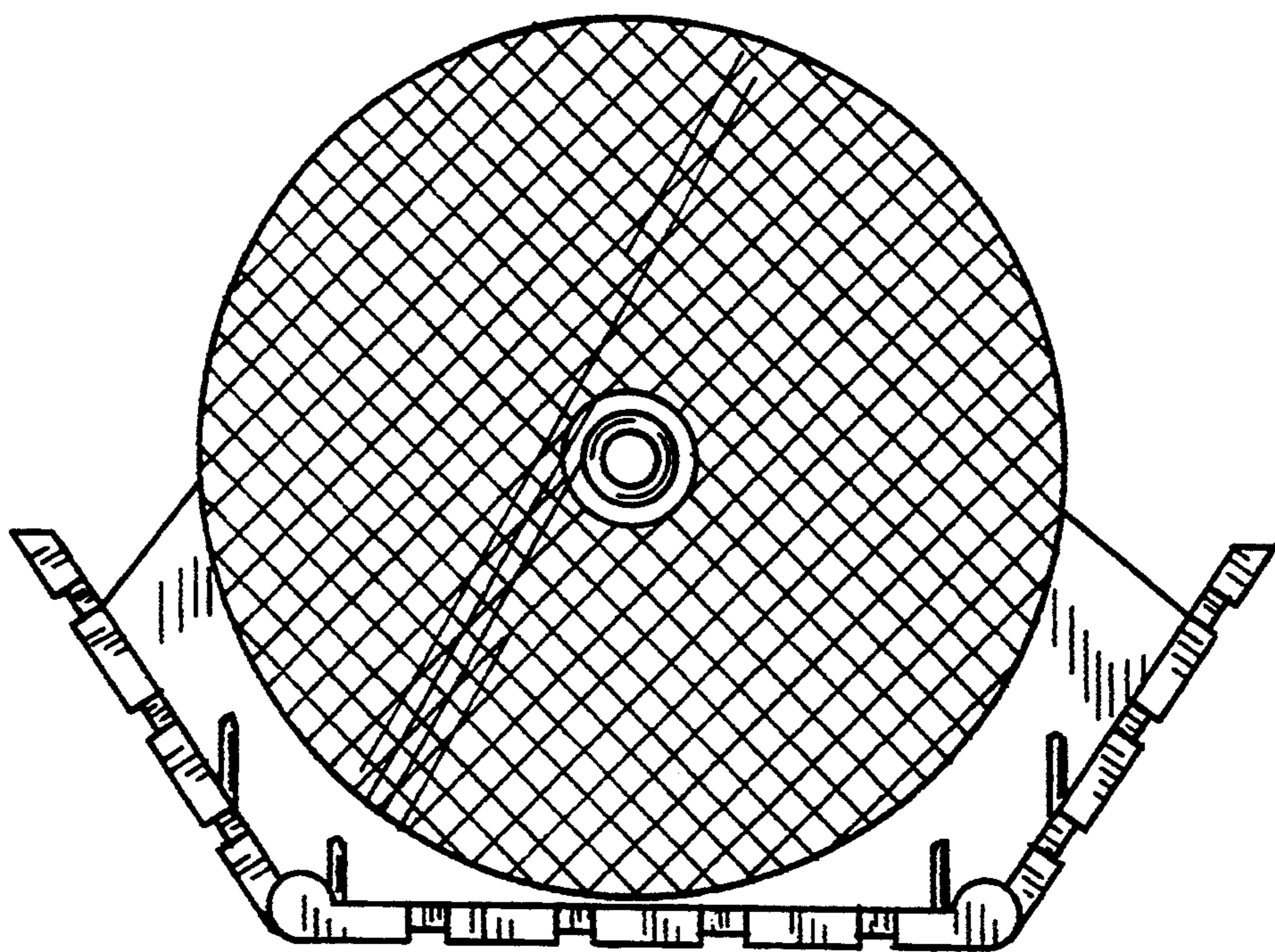
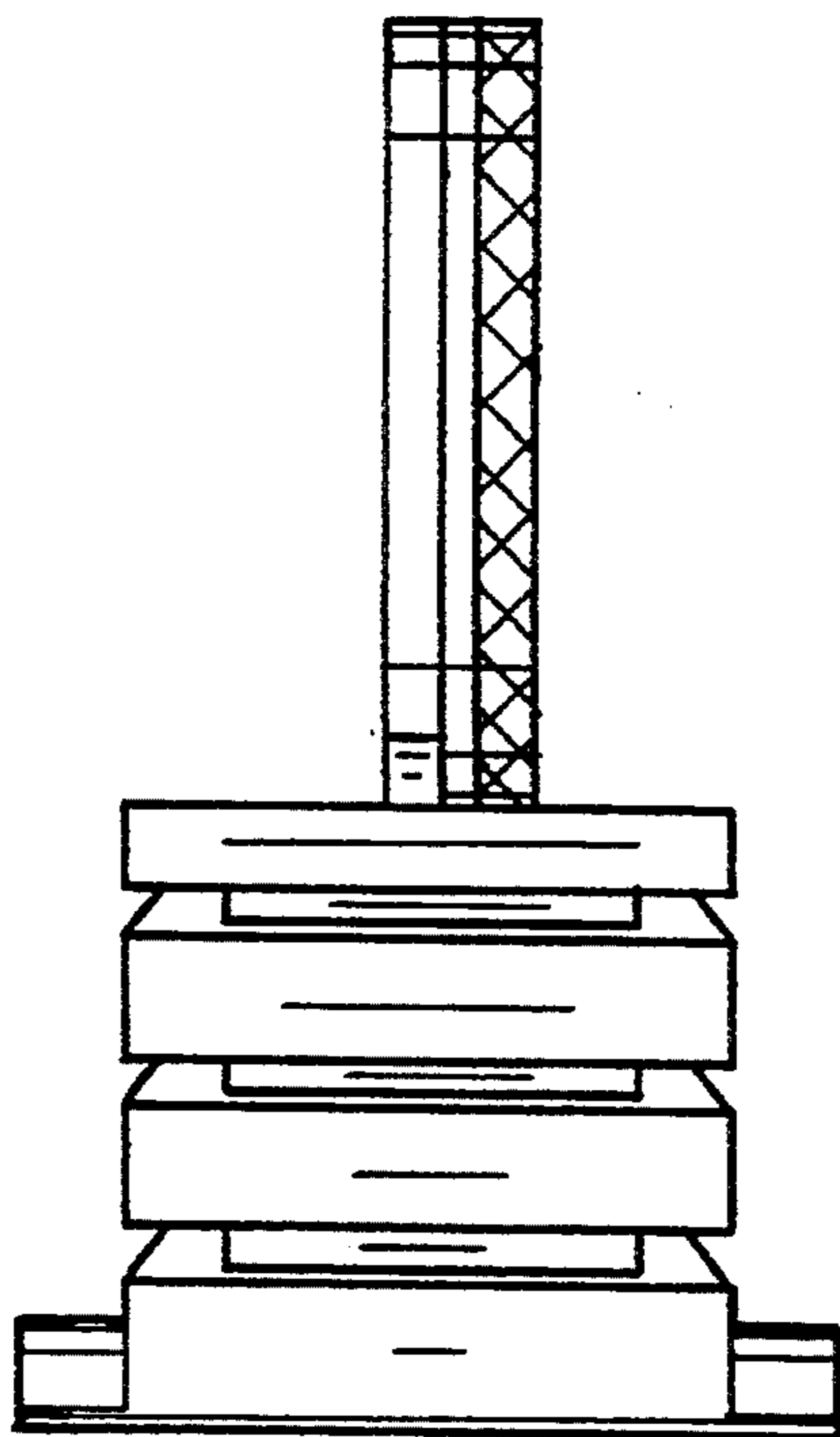


FIG. 6

FIG. 7

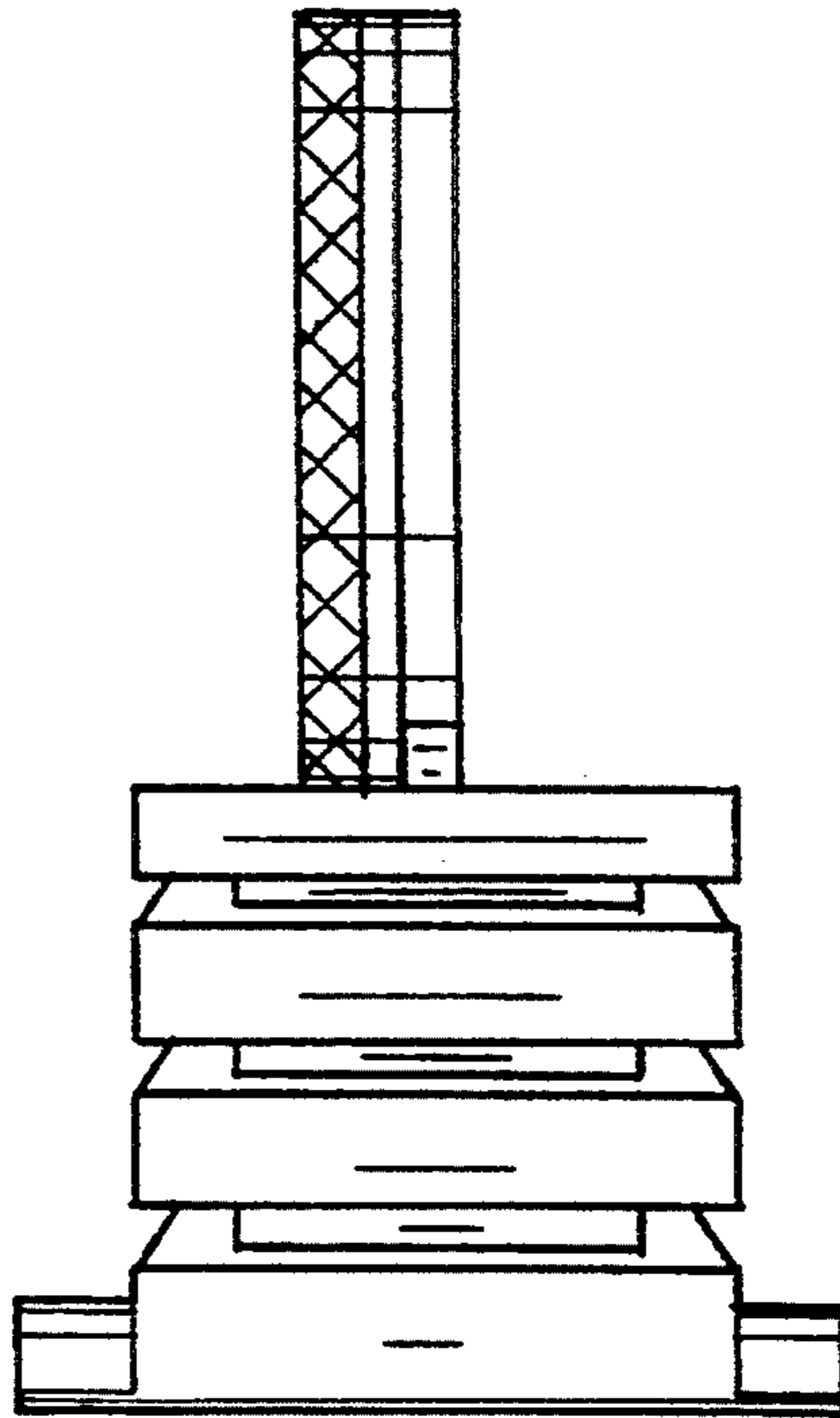
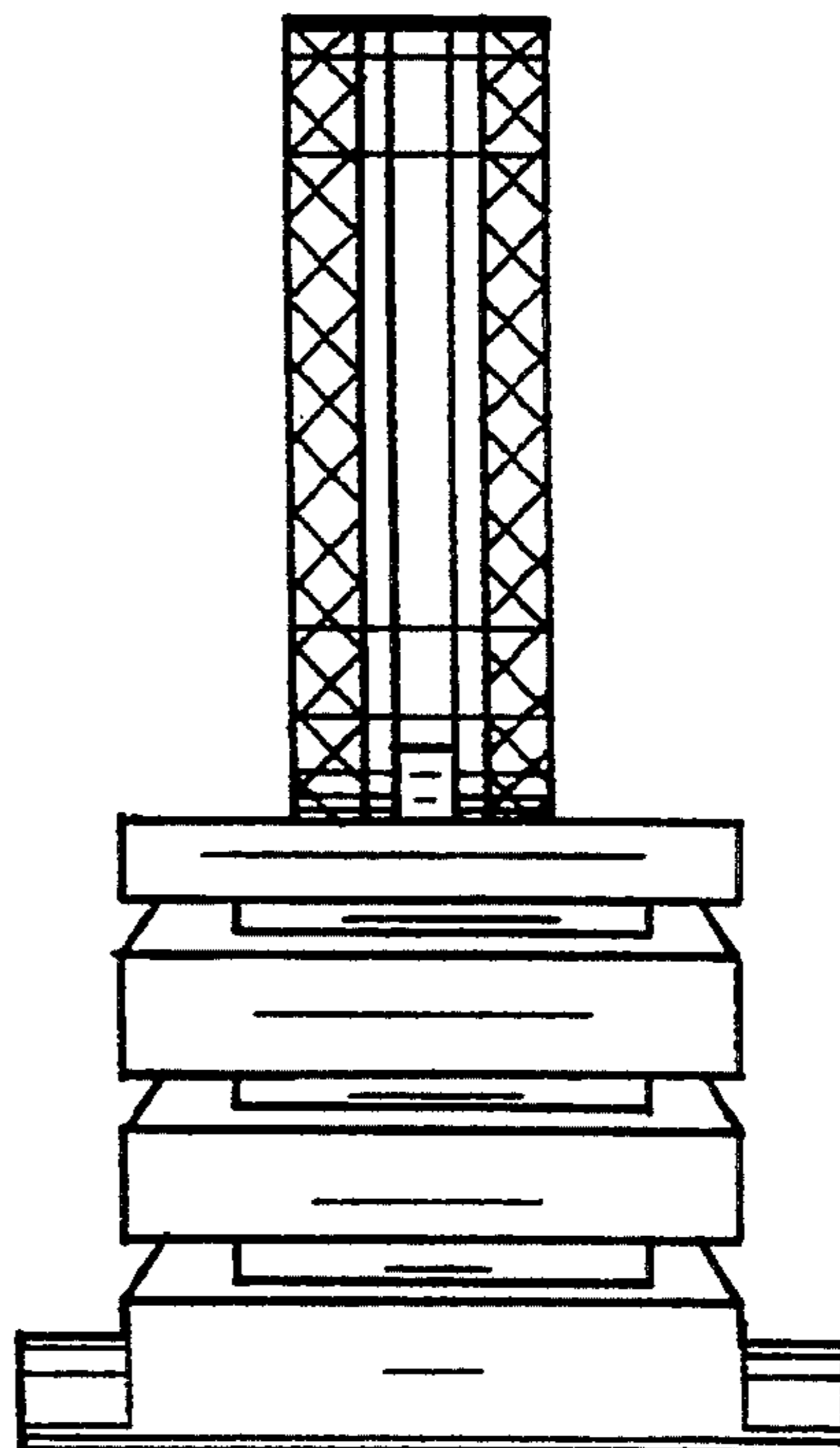


FIG. 8



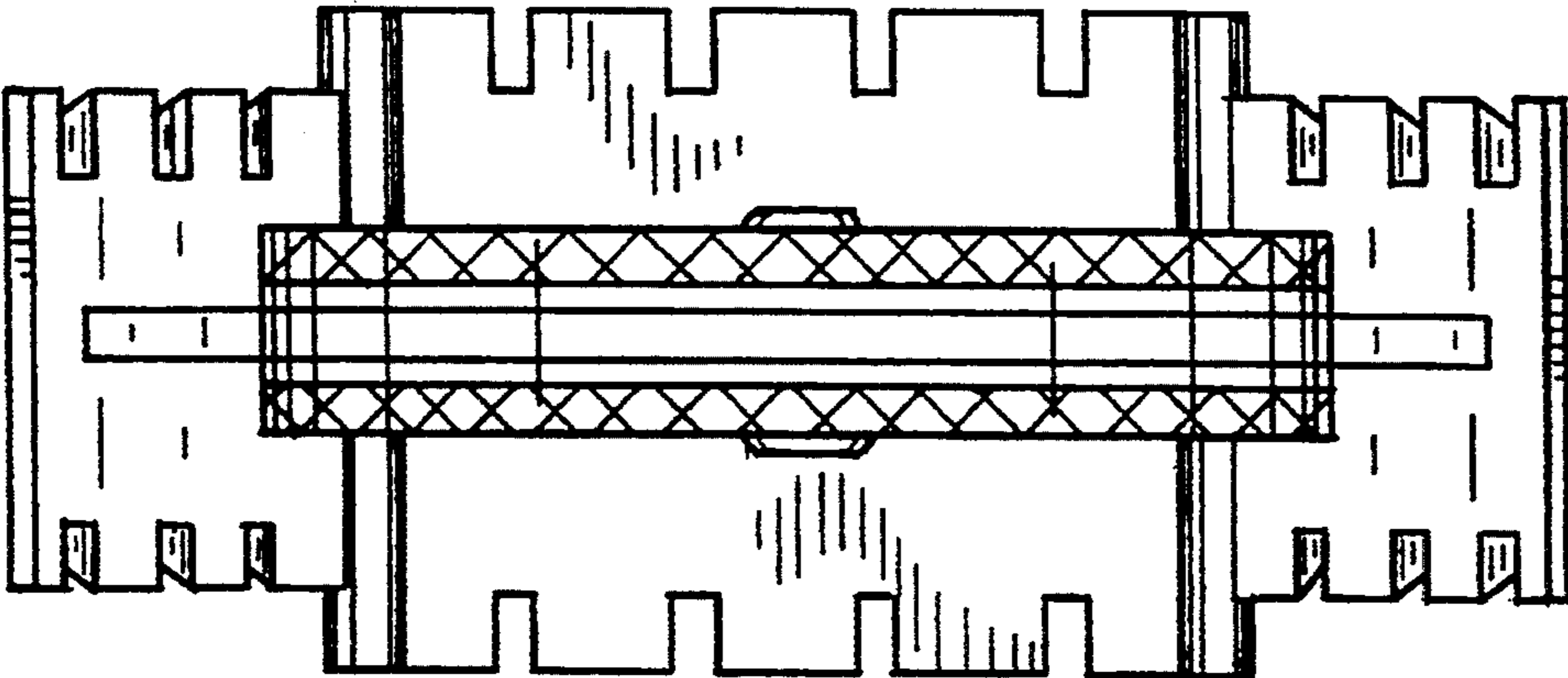


FIG. 9