



US00D358350S

# United States Patent [19]

[11] Patent Number: **Des. 358,350**

**Bedrosian**

[45] Date of Patent: **\*\* May 16, 1995**

[54] **RECEIVER BASE MODULE FOR A SECURITY SYSTEM**

D. 345,313 3/1994 Bedrosian ..... D10/106  
3,530,432 9/1970 Pope ..... 340/541  
4,319,228 3/1982 Daniels ..... 340/521

[75] Inventor: **Bert S. Bedrosian**, Scottsdale, Ariz.

[73] Assignee: **Guard-Tech Industries, Inc.**, Mich.

[\*\*] Term: **14 Years**

[21] Appl. No.: **22,579**

[22] Filed: **May 9, 1994**

[52] U.S. Cl. .... **D10/104**

[58] Field of Search ..... D10/104, 106, 116, 121;  
340/528, 540, 541, 545, 546, 547, 571, 572, 506,  
615; D20/10

[56] **References Cited**

**U.S. PATENT DOCUMENTS**

D. 258,499 3/1981 Brown et al. .... D10/104  
D. 261,740 11/1981 Zederer ..... D10/106

*Primary Examiner*—James M. Gandy  
*Assistant Examiner*—Marcus Jackson  
*Attorney, Agent, or Firm*—Gifford, Krass, Groh,  
Patmore, Anderson & Citkowski

[57] **CLAIM**

The ornamental design for a receiver base module for a security system, as shown and described.

**DESCRIPTION**

FIG. 1 is a perspective view of a receiver base module for a security system showing my new design; FIG. 2 is a top plan view thereof, with the bottom being flat and unornamented; and, FIG. 3 is a side elevational view thereof, the opposing side being a mirror image thereof.

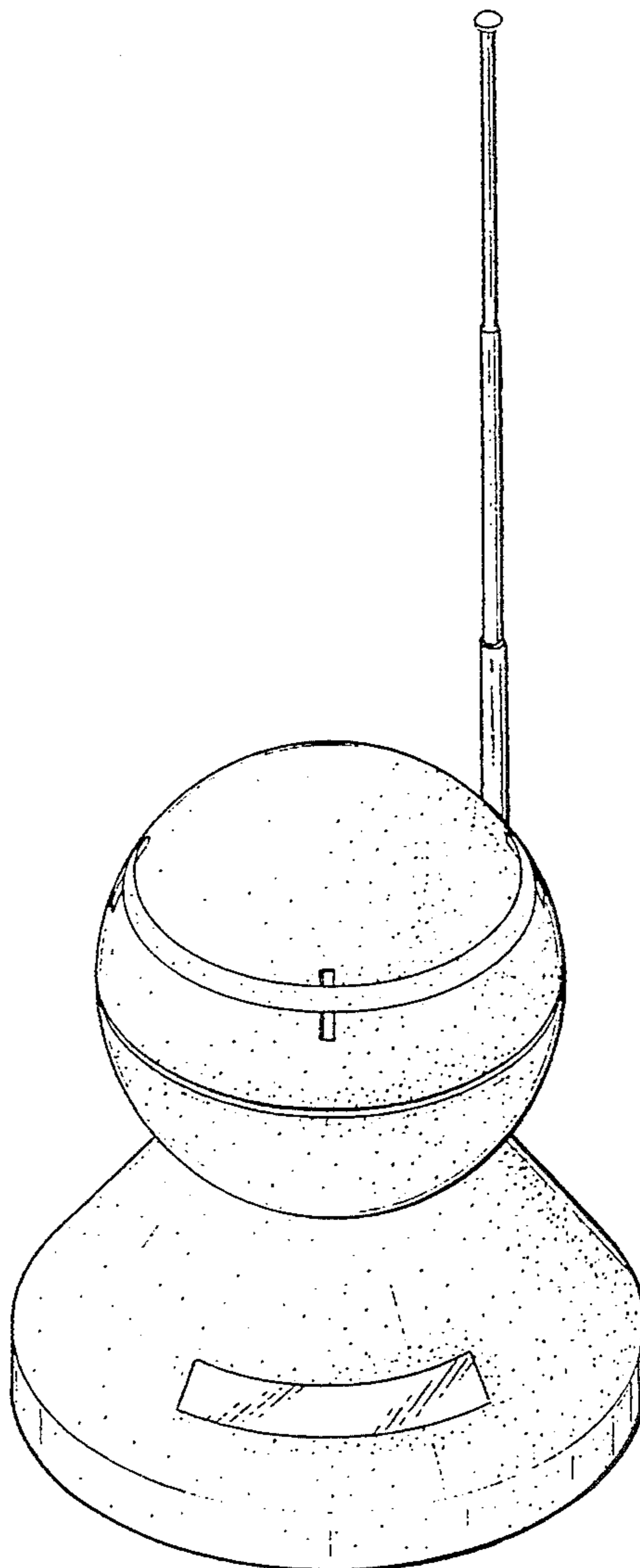


FIG - 2

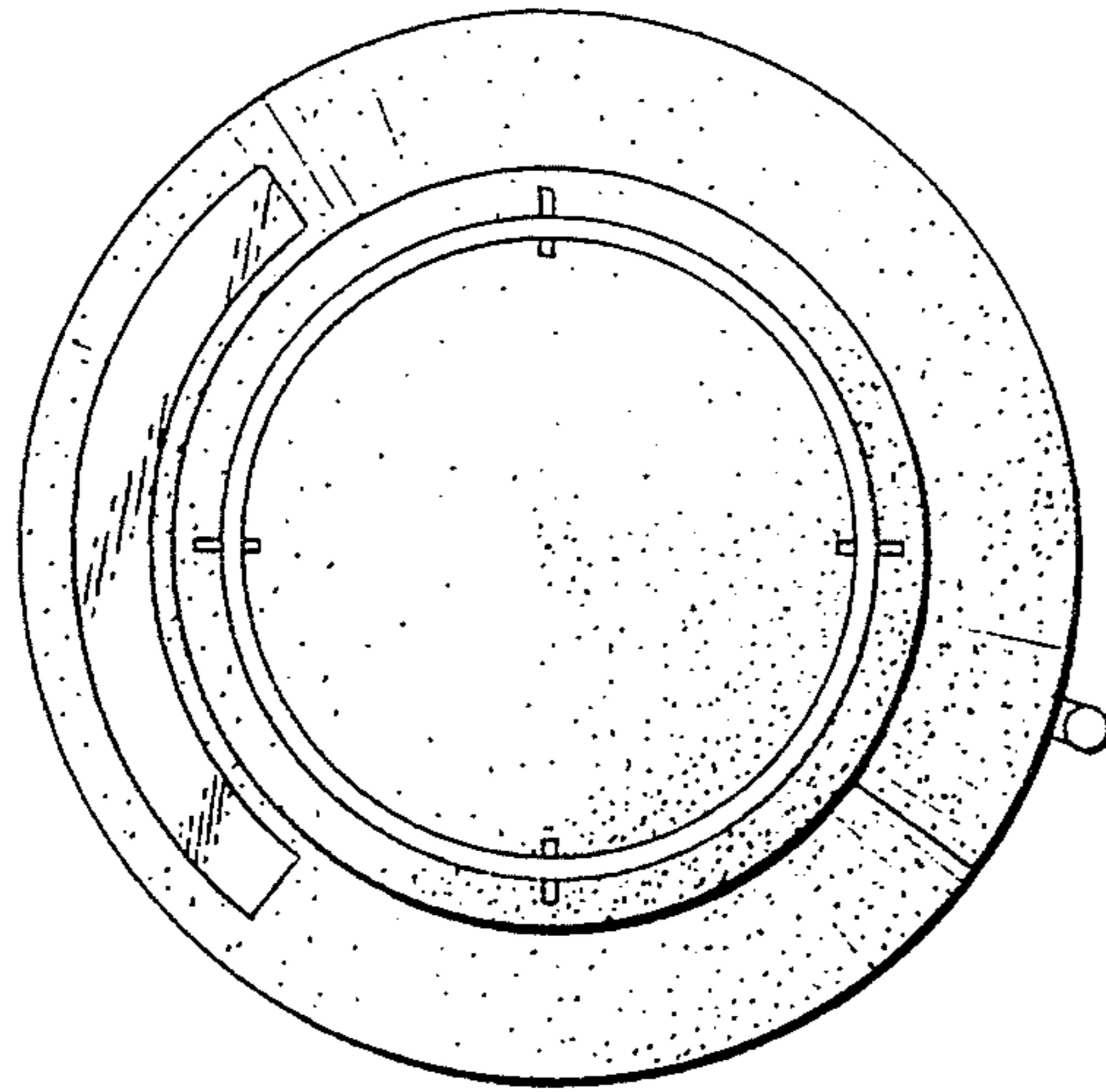


FIG - 1

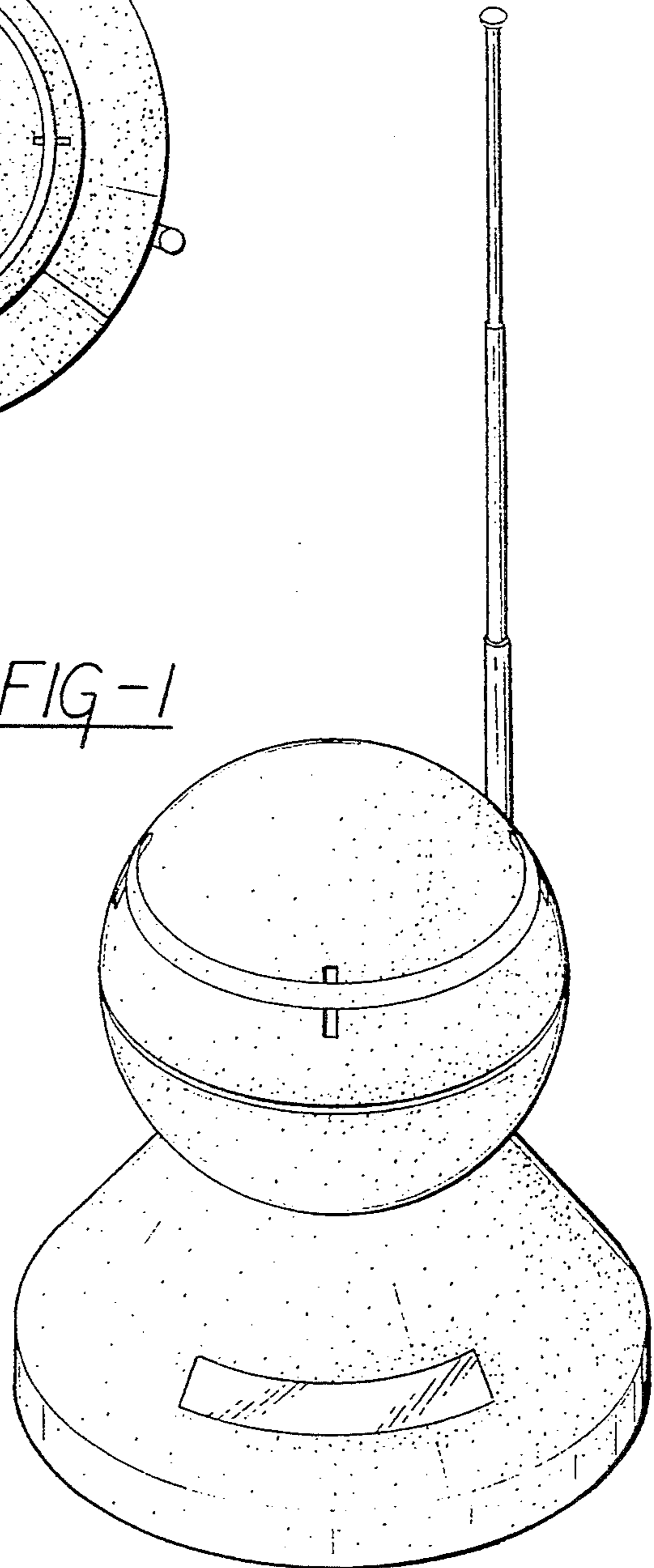


FIG - 3

