



US00D358348S

United States Patent [19]

[11] Patent Number: Des. 358,348

Burgess

[45] Date of Patent: ** May 16, 1995

[54] **DIGITAL MULTIMETER**

[75] Inventor: **Garry M. Burgess**, Beaverton, Oreg.

[73] Assignee: **Universal Enterprises, Inc.**,
Beaverton, Oreg.

[**] Term: **14 Years**

[21] Appl. No.: **24,393**

[22] Filed: **Jun. 14, 1994**

[52] U.S. Cl. **D10/78**

[58] Field of Search **D10/78; 324/114, 115,**
324/149, 151, 156, 158 F

[56] **References Cited**

U.S. PATENT DOCUMENTS

D. 256,896 9/1980 Kuramoto D10/78
D. 314,715 2/1991 Nelson et al. .

OTHER PUBLICATIONS

Electrostatic Voltmeter by Louis W. Schaeffer, et al., Xerox Disclosure Journal, May/June 1978 (p. 175).

20 Series advertisement, Fluke 21, 23 25 & 27, A Tough New Breed of Multimeters, pp. 1-8, prior to Jun. 1993.

Di-Log Digital Multimeters brochure, 2 pages, prior to Jun. 1993.

A. W. Sperry Instruments Inc. Autoranging Digital Multimeter Model DM-6500 and Electro-Probe Digital Multimeter Model DM-6590 advertising, p. 11, prior to Jun. 1993.

Beckman Digital Multimeters brochure, 2 pages, prior to Jun. 1993.

Multimeters (3000 Hi Tester, 3015 Hi Tester, M-100B, 3021 Kit Hi Tester) and Digital Mutlimeters (3200 Digital Hi Tester, 3207 Digital Pocket Hi Tester, 3208 Calcu Hi Tester, 3209 Digital Hi Tester), p. 2, prior to Jun. 1993.

Enter the World of Mercer-The Ultimate in Low Cost Test Equipment brochure and order form, 5 pages, prior to Jun. 1993.

SOAR Corporation Digital Multimeter Model 8050 brochure, 1 page, prior to Jun. 1993.

Triplett Corporation 1986 Tester Catalog, Digital Multimeters, Analog Multimeters, Communications Products, Special Features Testers, Frequency and Universal Counters, Accessories, 3 pages, prior to Jun. 1993.

Beckman Industries, Inc., Announcing The Circuitmate

Series Digital Multimeters, brochure, 4 pages, prior to Jun. 1993.

A. W. Sperry DM-7100 photocopy, 1 page, prior to Jun. 1993.

BI 2030 True RMS photocopy, 1 page, prior to Jun. 1993.

BK Test Bench 391 photocopy, 1 page, prior to Jun. 1993.

DiLog DL185 Multimeter photocopy, 1 page, prior to Jun. 1993.

DiLog 186 Automotive Meter photocopy, 1 page, prior to Jun. 1993.

DiLog DL187T True RMS photocopy, 1 page, prior to Jun. 1993.

Fluke 87 True RMS Multimeter photocopy, 1 page, prior to Jun. 1993.

Fluke 88 Automotive Meter photocopy, 1 page, prior to Jun. 1993.

Tektronix DM252 Multimeter photocopy, 1 page, prior to Jun. 1993.

Tektronix DM250 Multimeter photocopy, 1 page, prior to Jun. 1993.

Tektronix Tek DMM 252 photocopy, 1 page, prior to Jun. 1993.

(List continued on next page.)

Primary Examiner—Antoine Duval Davis
Attorney, Agent, or Firm—Chernoff, Vilhauer, McClung & Stenzel

[57] **CLAIM**

The ornamental design for a digital multimeter, as shown and described.

DESCRIPTION

FIG. 1 is a front three-quarter perspective view of a digital multimeter showing my new design;

FIG. 2 is a top front elevational view;

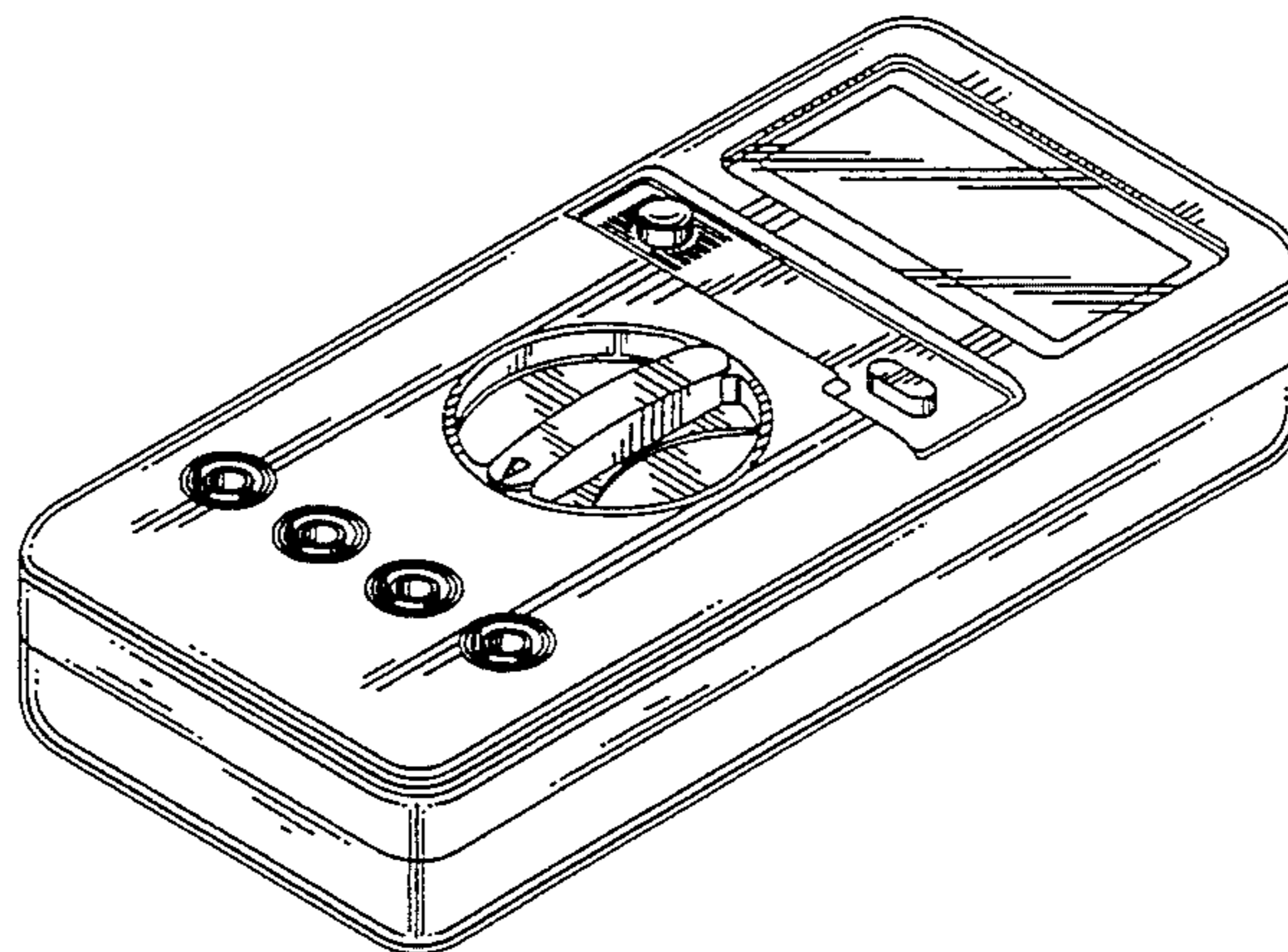
FIG. 3 is a right side elevational view;

FIG. 4 is a bottom plan view;

FIG. 5 is a left side elevational view;

FIG. 6 is a top plan view; and,

FIG. 7 is a bottom plan view.



OTHER PUBLICATIONS

Triplett 4404 photocopy, 1 page, prior to Jun. 1993.

Wavetek DM25XT photocopy, 1 page, prior to Jun. 1993.

Maxcom Digital Multimeter brochure, 8 pages, prior to Jun. 1993.

Metex Digital Multimeter brochure, 18 pages, prior to Jun. 1993.

Triplett Test Equipment brochure, 2 pages, dated Mar. 1, 1984.

Protek Digital Multi Meter brochure, 6 pages, dated '93/94.

Hung Chang Digital Multimeter brochure, 4 pages, prior to Jun. 1993.

Hung Chang Digital Multi-Meter brochure, 24 pages, prior to Jun. 1993.

GoldStar Precision Co., Ltd., Goldstar Test & Measuring Instruments brochure, 8 pages, dated 1992/1993.

Extech Instruments Plant Maintenance Monitor & Control Water Quality Test & Measurement brochure, 16 pages, dated 1994.

Look What's New at MCM Electronics brochure, 2 pages, prior to Jun. 1993.

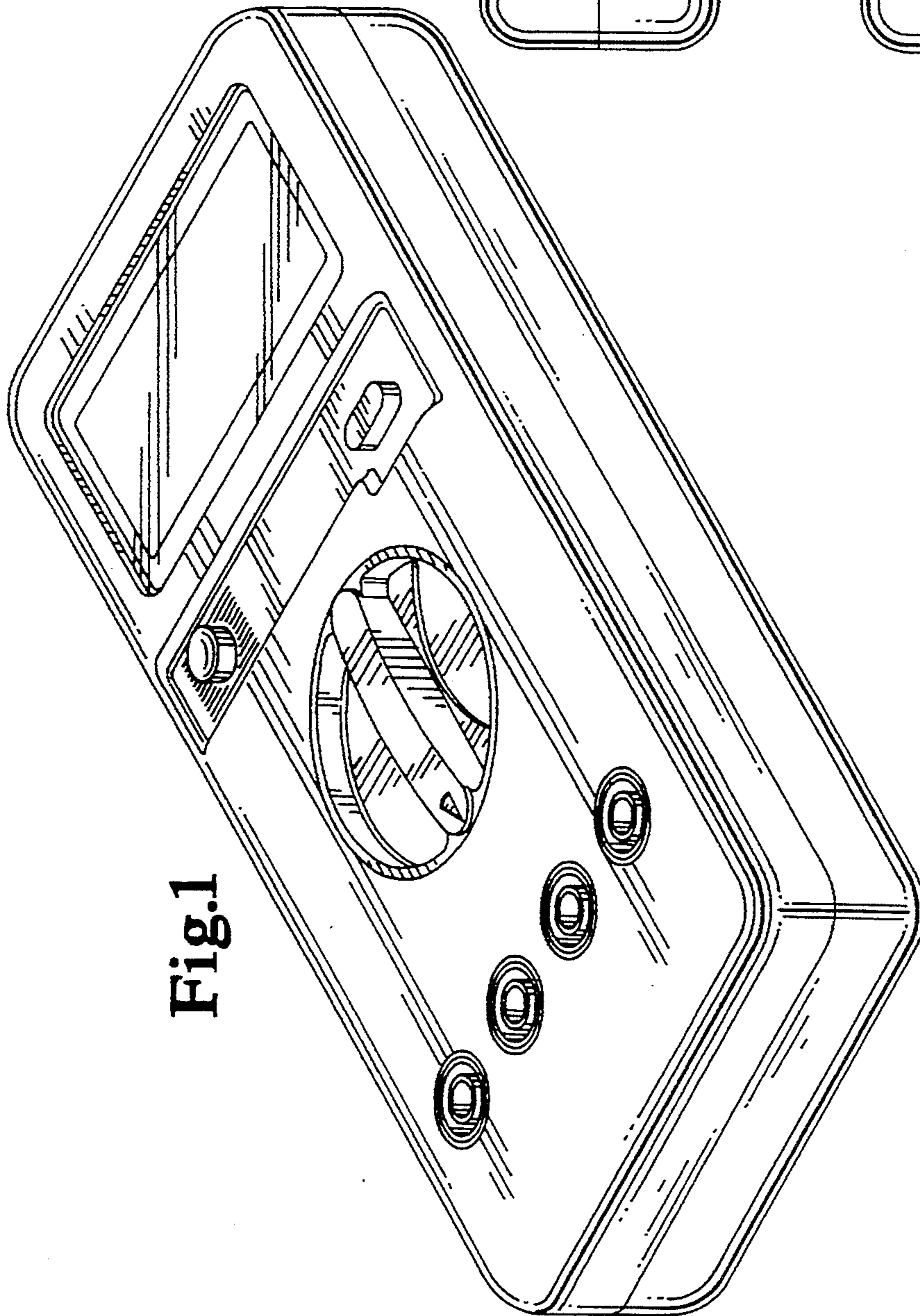


Fig.1



Fig.6

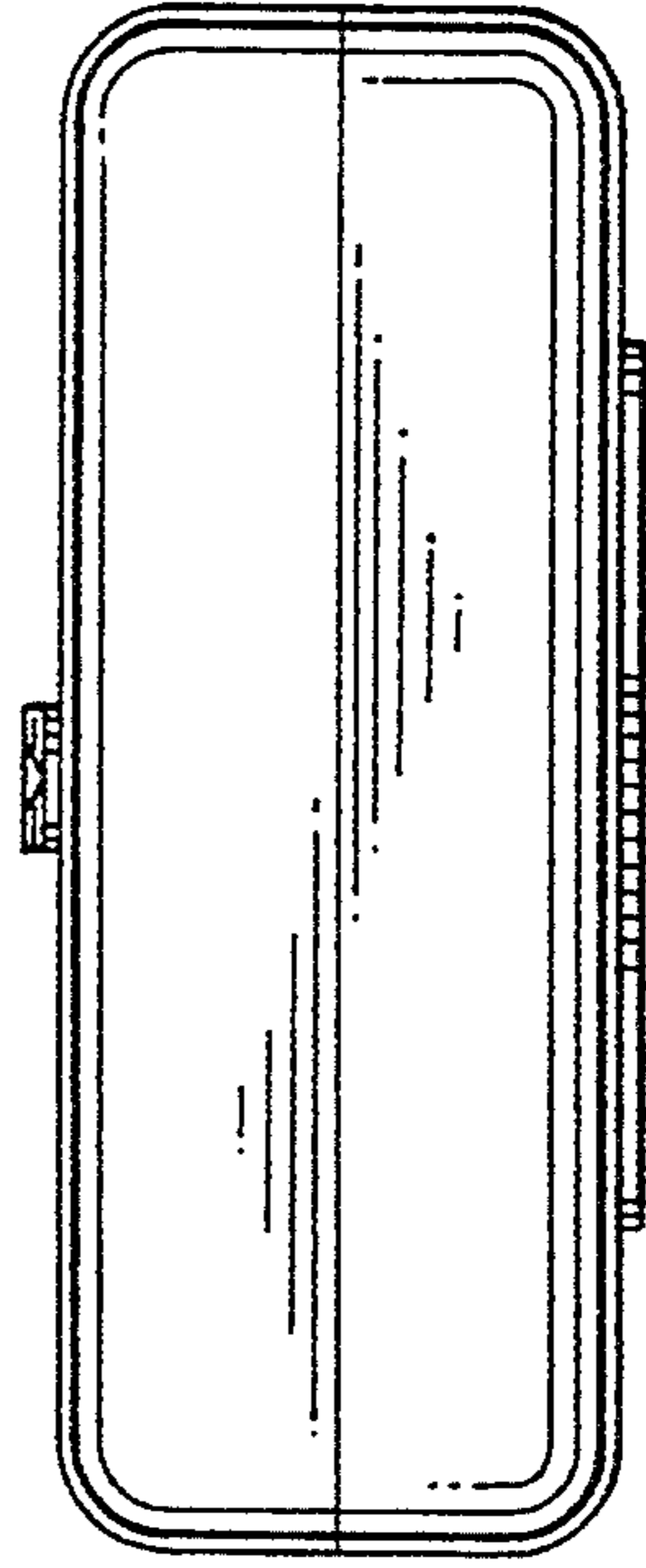


Fig.7

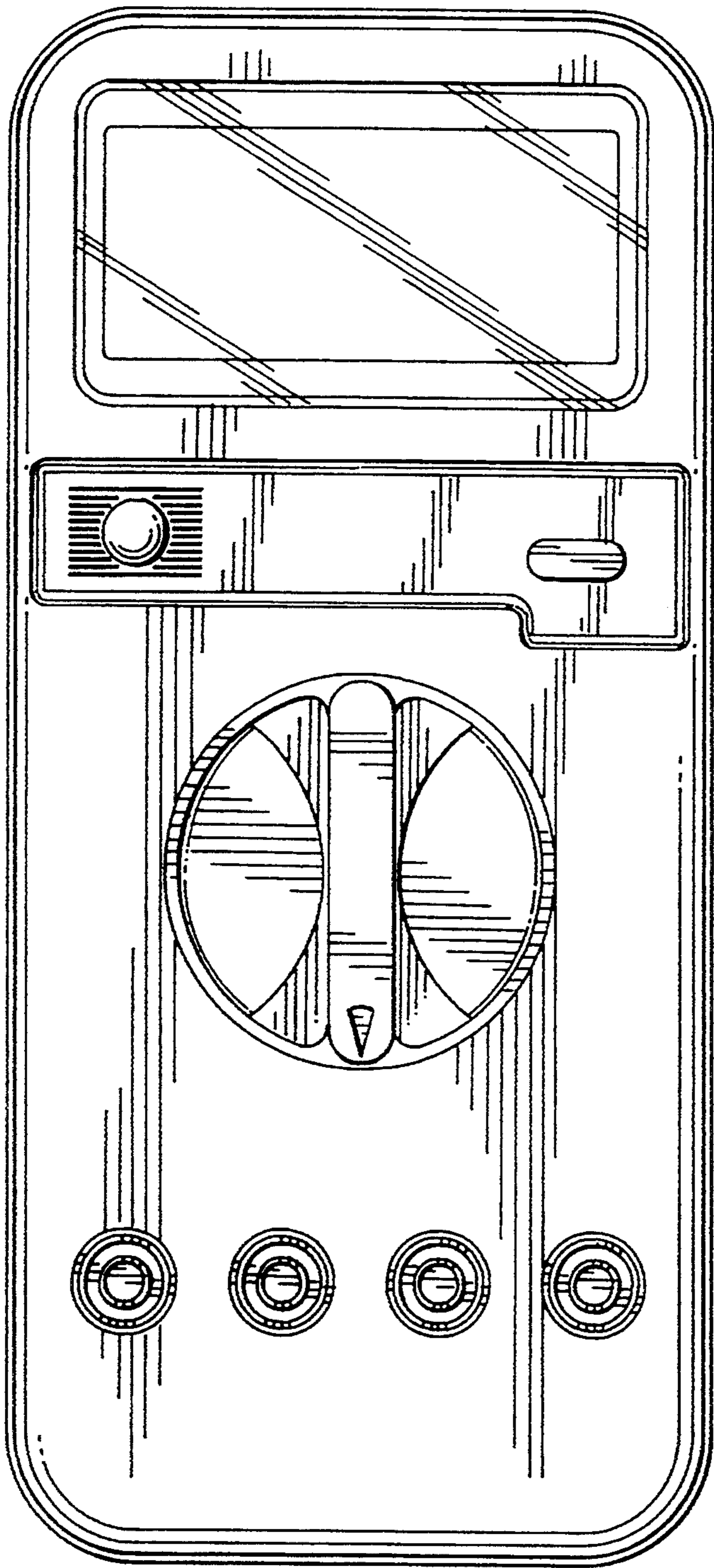


Fig.2

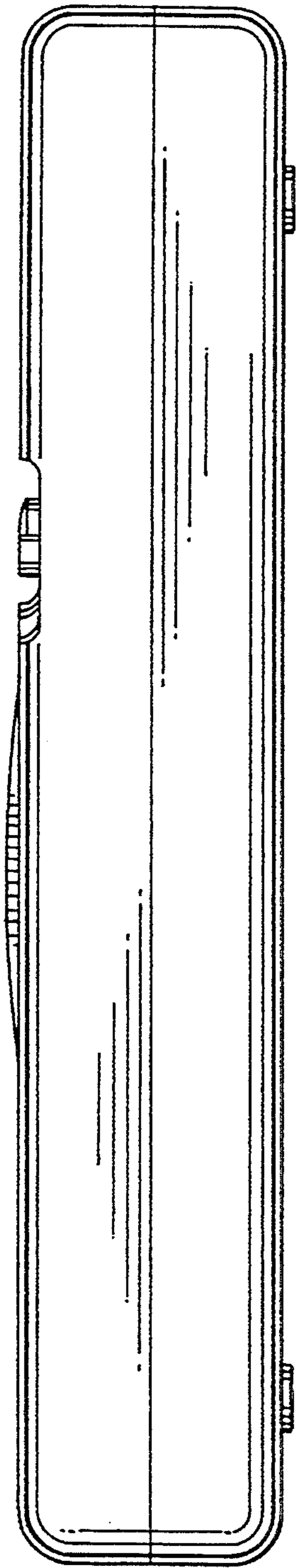


Fig.3

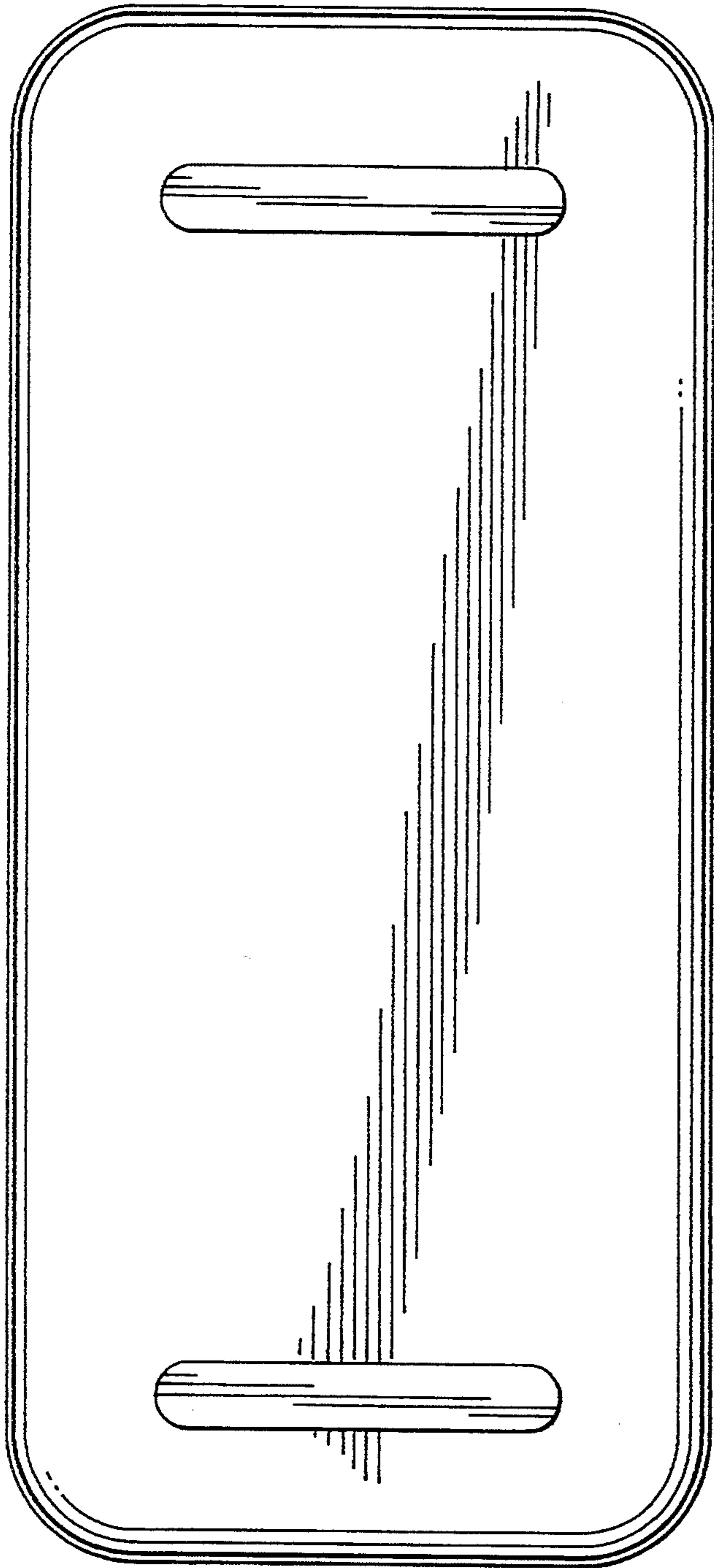


Fig.4

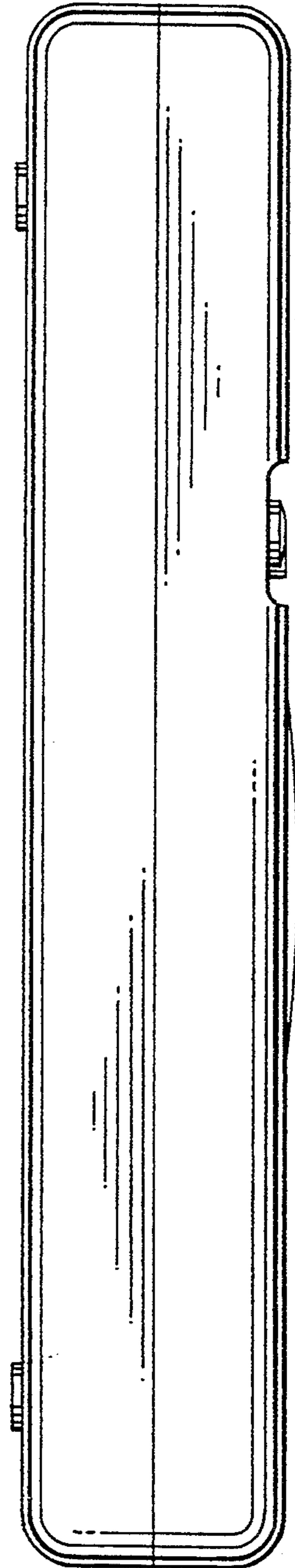


Fig.5