



US00D358347S

United States Patent [19]
Max

[11] **Patent Number: Des. 358,347**

[45] **Date of Patent: ** May 16, 1995**

[54] **ULTRAVIOLET INTENSITY METER**

[75] **Inventor: Joe T. Max, Leesburg, Va.**

[73] **Assignee: Electronic Instrumentation and Technology, Inc., Sterling, Va.**

[**] **Term: 14 Years**

[21] **Appl. No.: 18,992**

[22] **Filed: Dec. 19, 1993**

[52] **U.S. Cl. D10/78; D10/46**

[58] **Field of Search D10/46, 75, 78, 81, D10/47; D16/130; D26/37-50, 8; 250/372, 373, 228, 461.1, 492.1, 462.1, 463.1, 464.1, 466.1, 467.1, 239, 392, 332, 315.3, 316.1, 256, 267, 351, 339.07, 339.11; 356/435, 414, 328, 334, 236, 326; 364/498**

[56] **References Cited**

U.S. PATENT DOCUMENTS

- D. 307,284 4/1990 Del Corno et al. D16/130
- D. 336,966 6/1993 Yau D26/49
- 4,968,143 11/1990 Weston 356/328

Primary Examiner—Alan P. Douglas
Assistant Examiner—Antoine D. Davis
Attorney, Agent, or Firm—Whitham, Curtis Whitham & McGinn

[57] **CLAIM**

The ornamental design for an ultraviolet intensity meter, as shown and described.

DESCRIPTION

FIG. 1 is a three-dimensional view showing the front, or head end, and two adjacent sides of the ultraviolet intensity meter;

FIG. 2 is a right side elevation view of the ultraviolet intensity meter showing a start button;

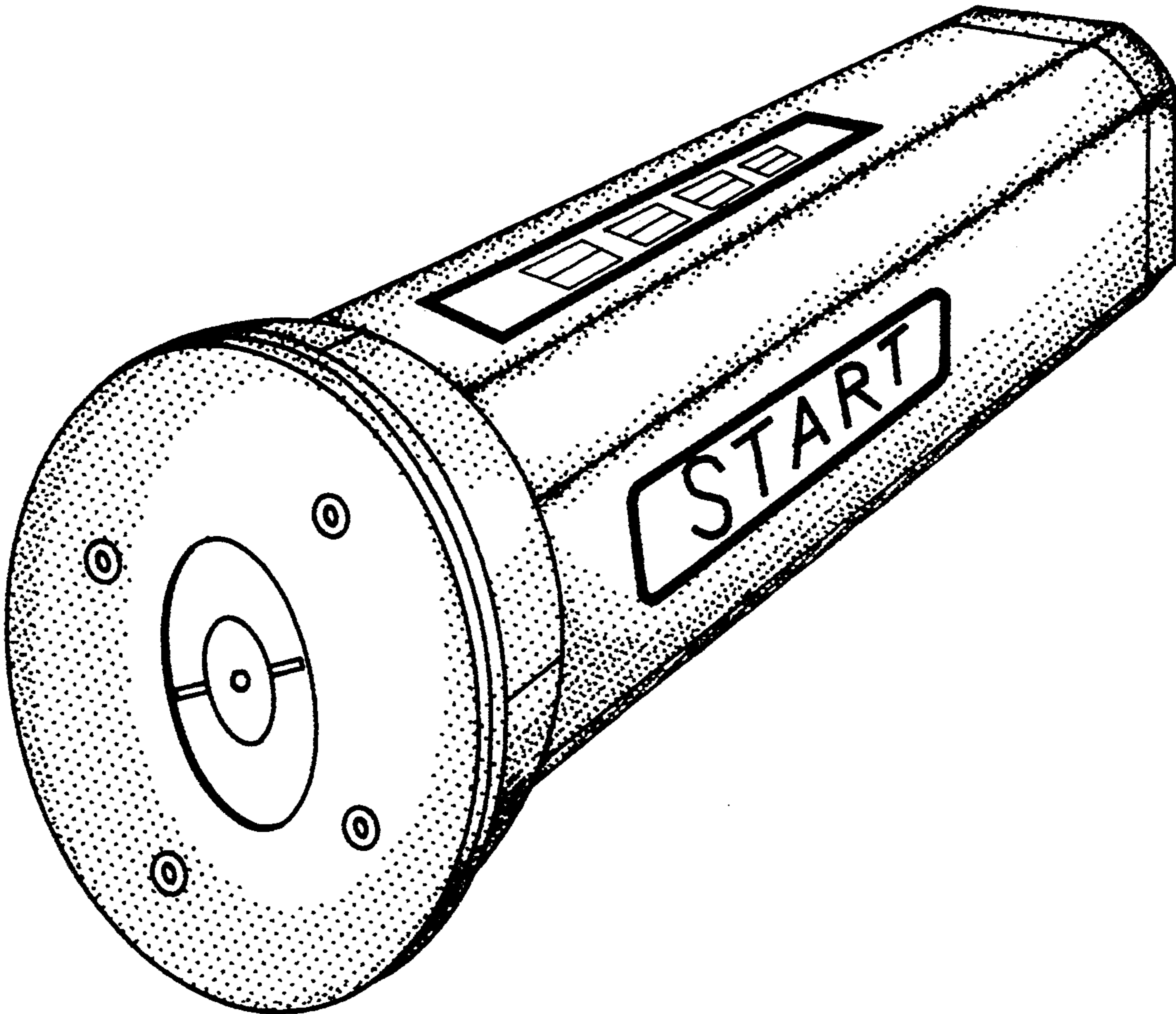
FIG. 3 is a top elevation view of the ultraviolet intensity meter showing a numeric readout;

FIG. 4 is a left side elevation view of the ultraviolet intensity meter;

FIG. 5 is a bottom elevation view of the ultraviolet intensity meter;

FIG. 6 is a front elevation view showing the face of the head end of the ultraviolet intensity meter; and,

FIG. 7 is a back elevation view of the ultraviolet intensity meter.



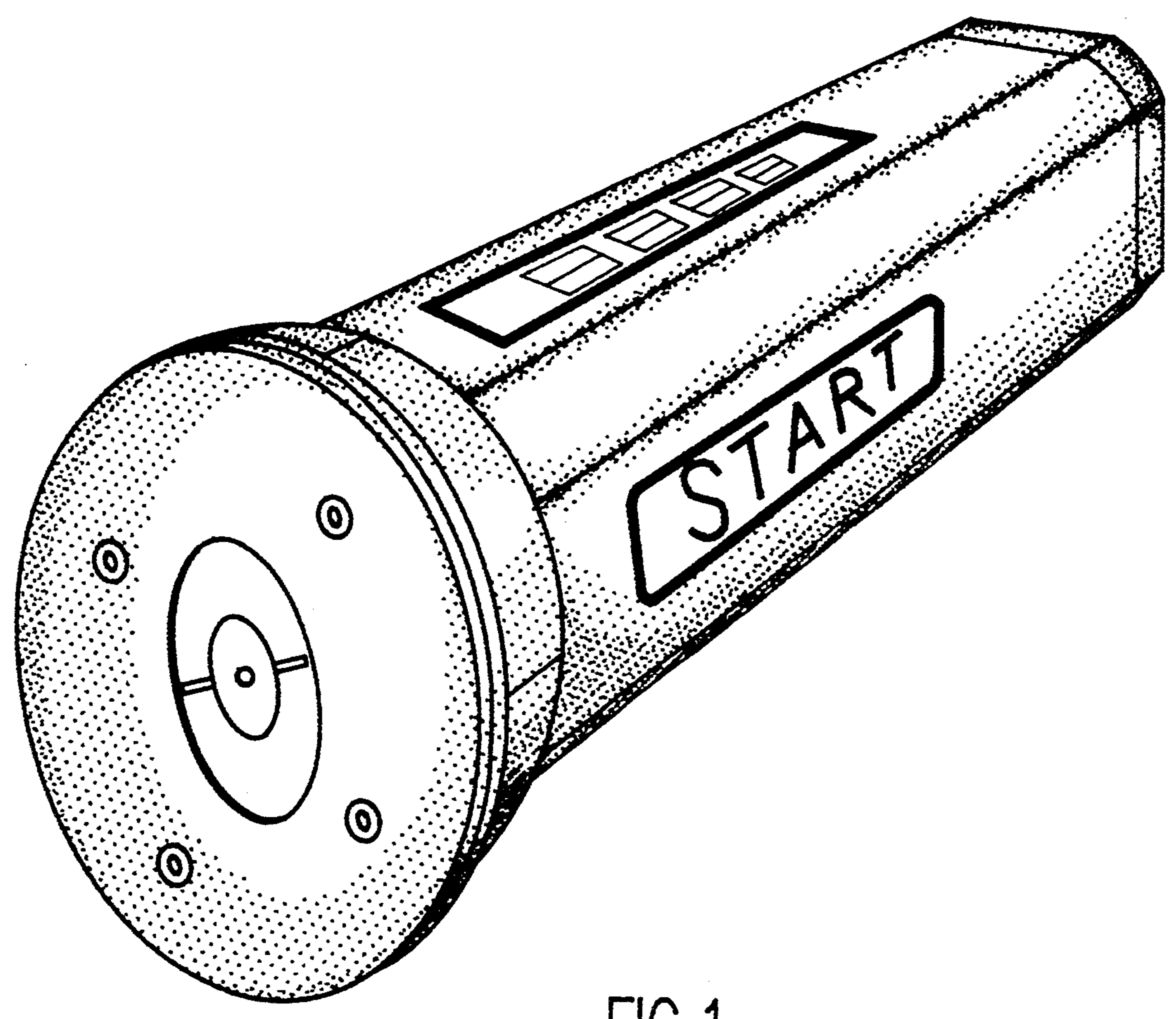


FIG. 1

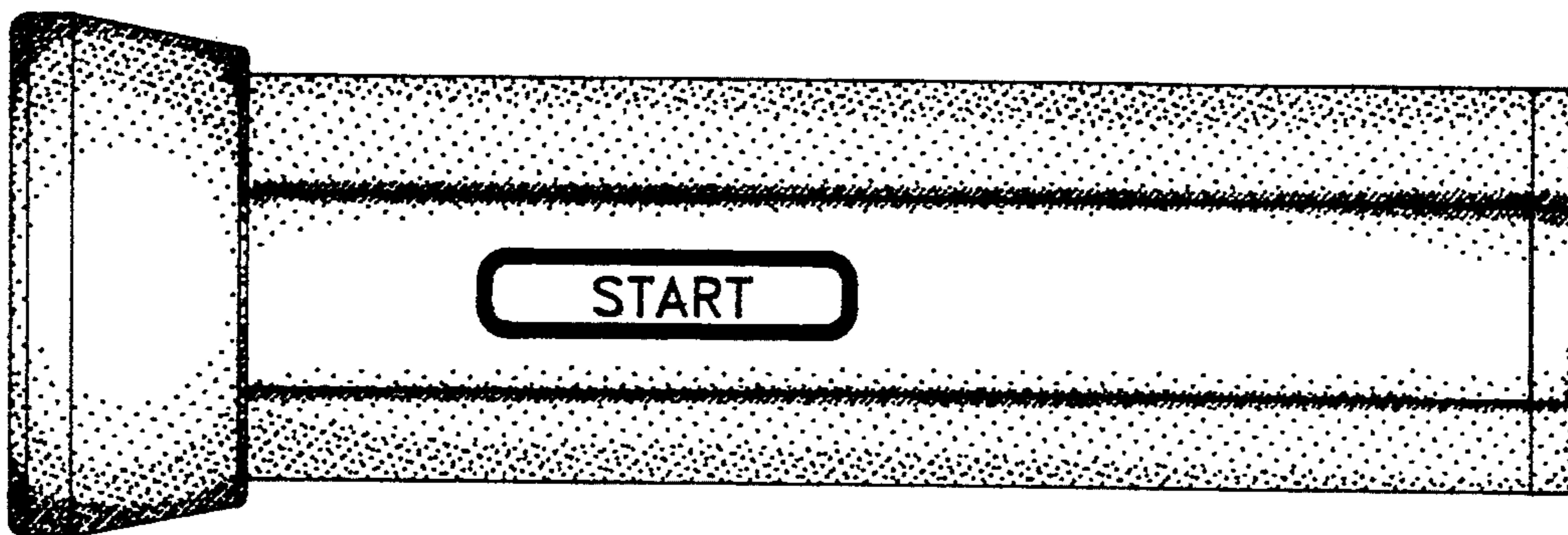


FIG. 2

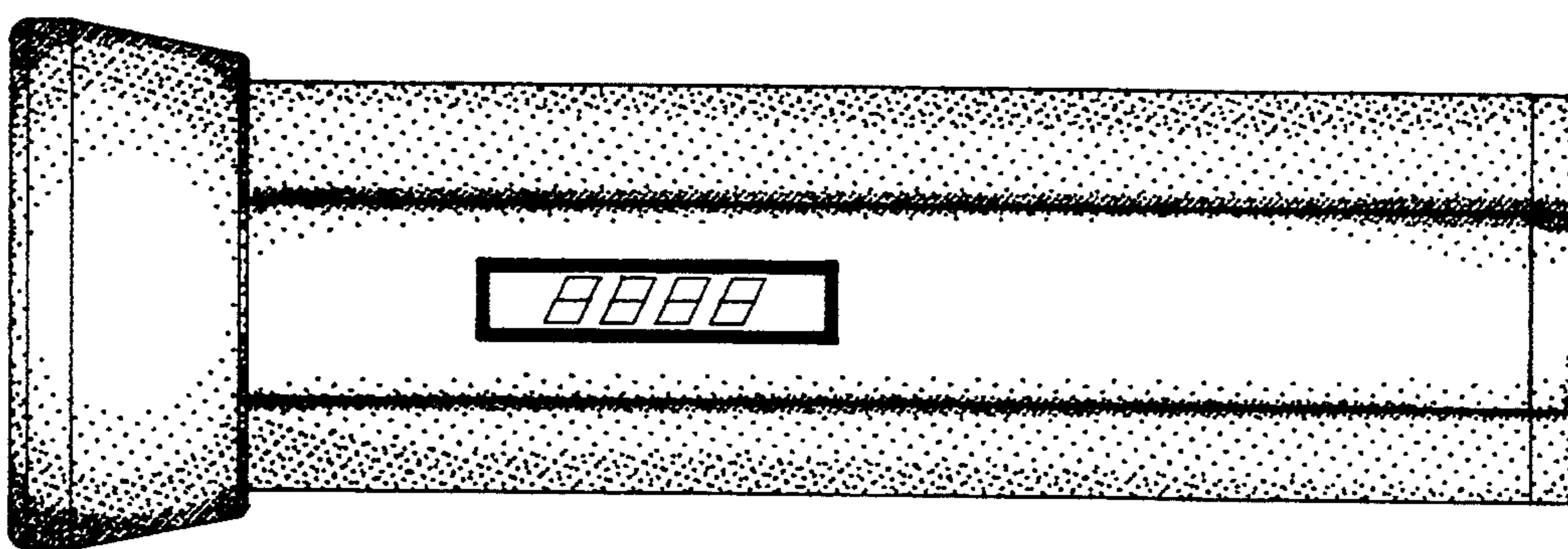


FIG. 3

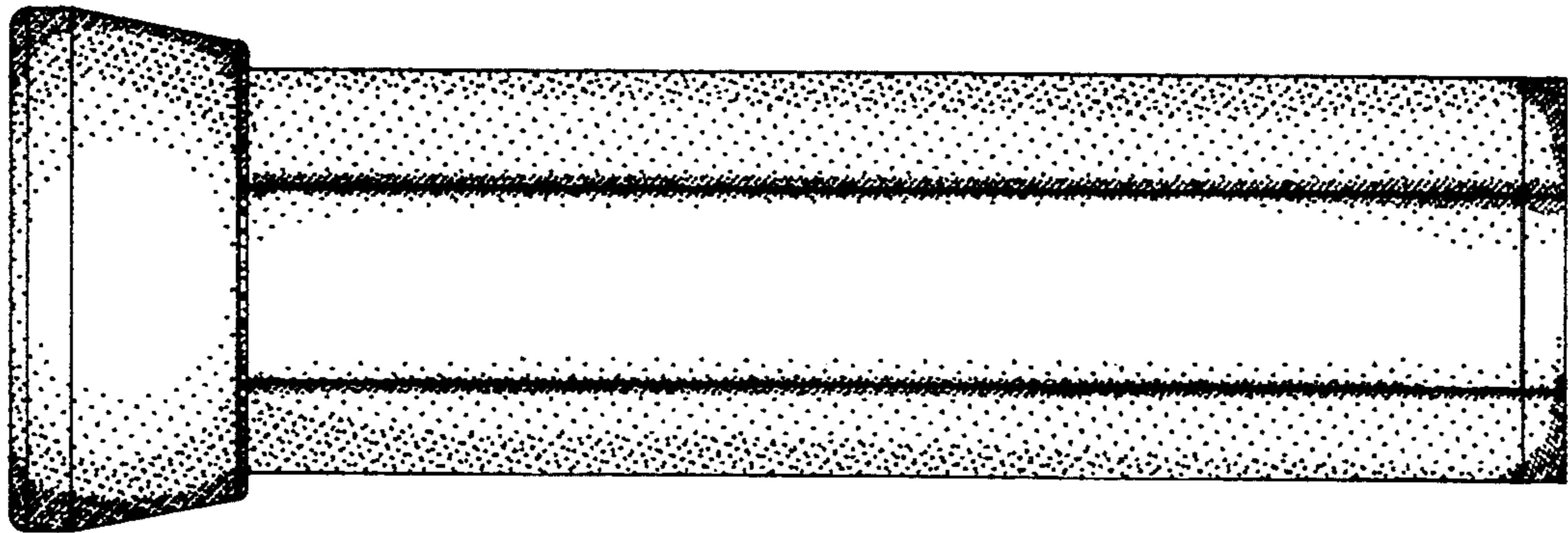


FIG. 4

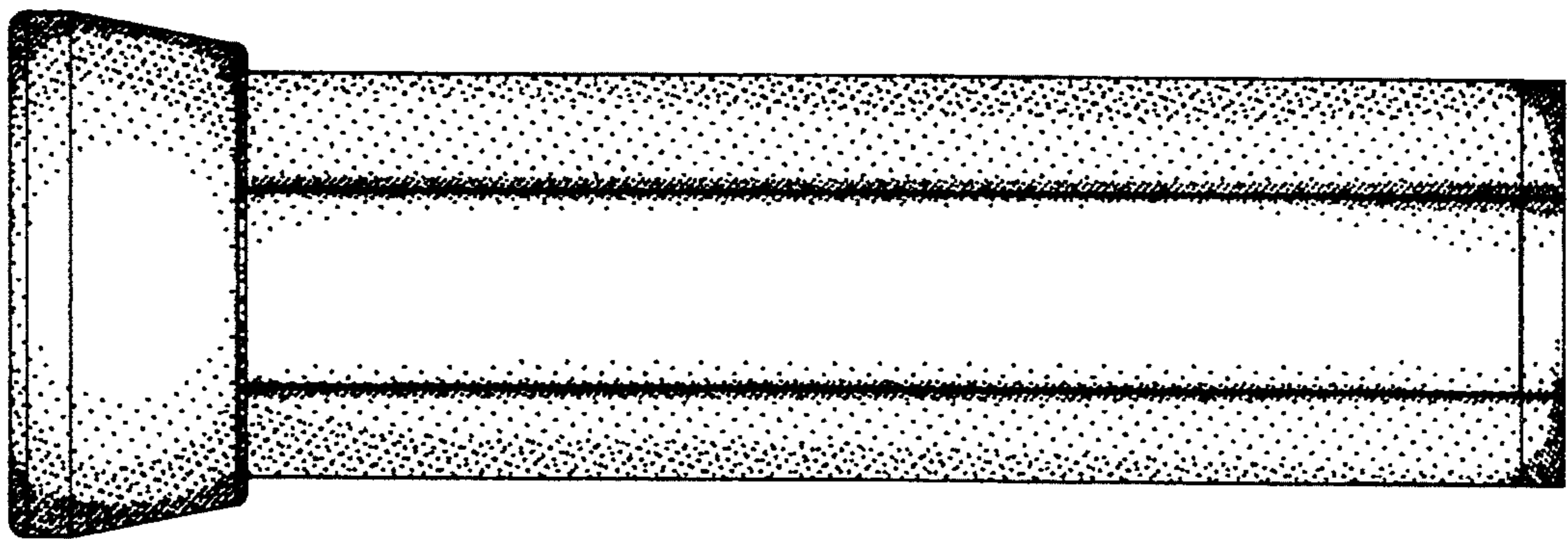


FIG. 5

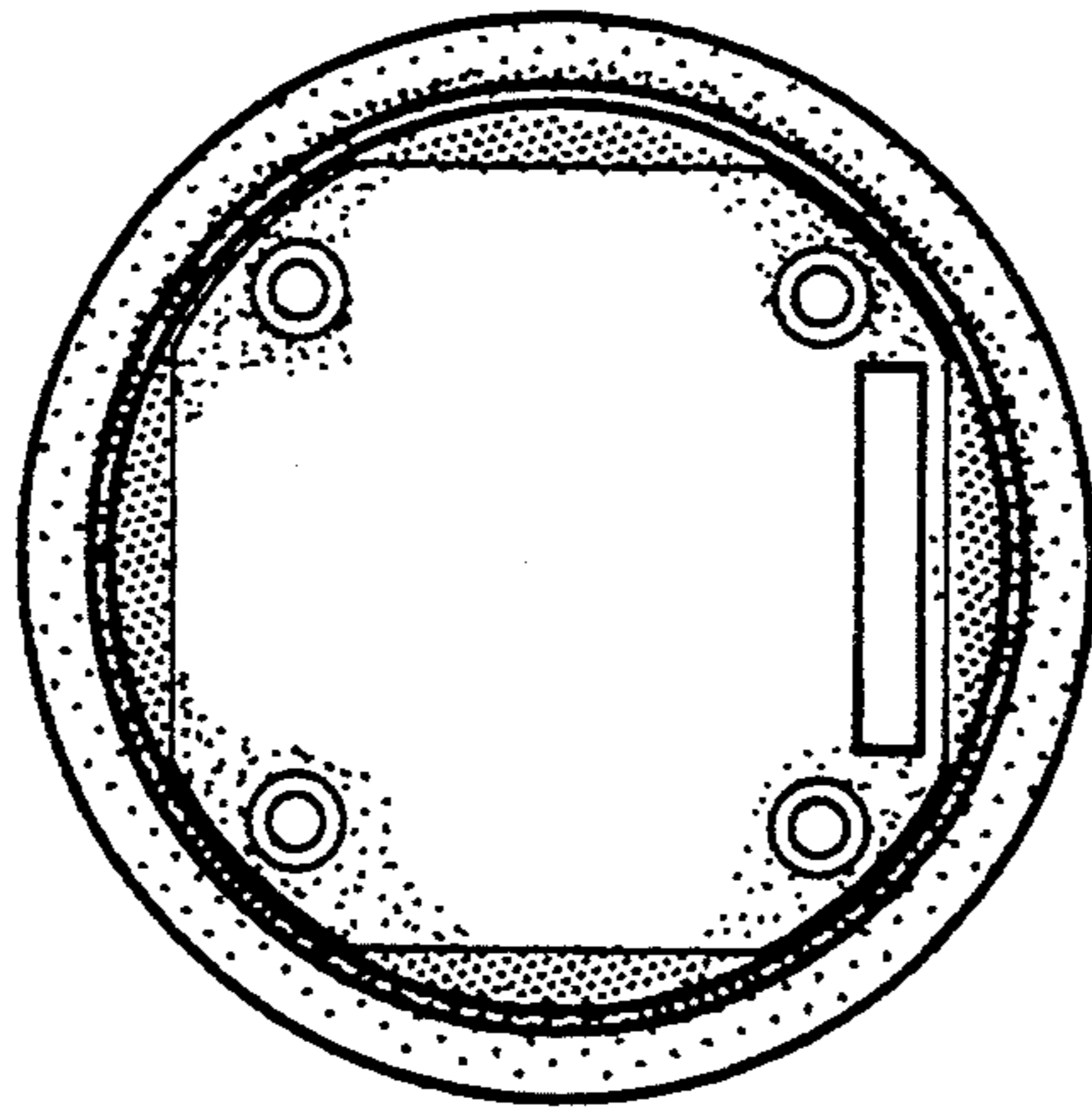


FIG. 7

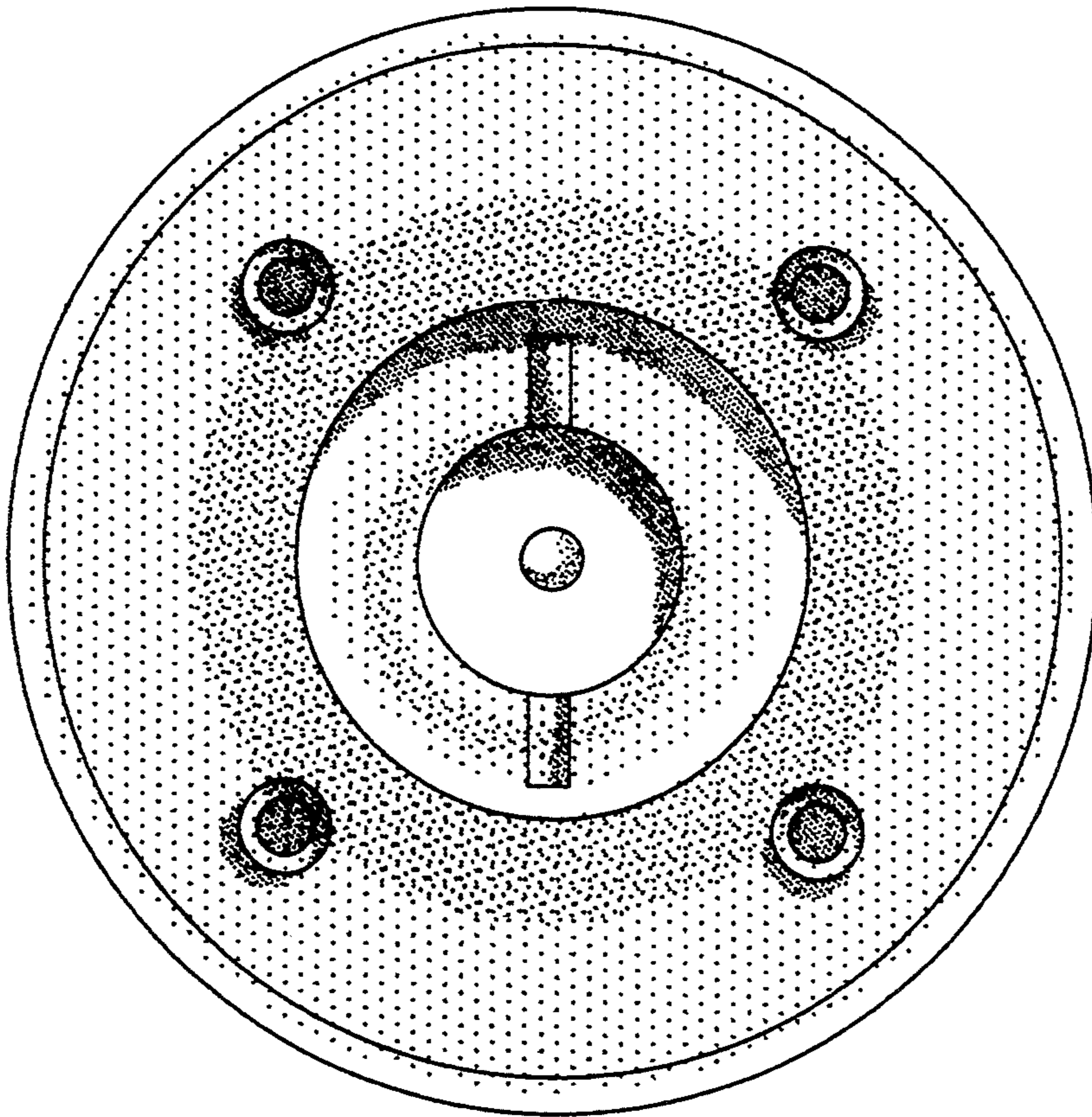


FIG. 6

UNITED STATES PATENT AND TRADEMARK OFFICE
CERTIFICATE OF CORRECTION

PATENT NO. : Des. 358,347

DATED : May 16, 1995

INVENTOR(S) : Joe T. May

It is certified that error appears in the above-identified patent and that said Letters Patent is hereby corrected as shown below:

TITLE PAGE

Item [54], change "ULTRAVIOLET" to --ULTRAVIOLET--.

Item [75], change "Max" to --May--.

Signed and Sealed this
Twenty-fourth Day of October, 1995

Attest:



BRUCE LEHMAN

Attesting Officer

Commissioner of Patents and Trademarks