



US00D358344S

United States Patent [19]

[11] Patent Number: **Des. 358,344**

Weichhold et al.

[45] Date of Patent: **** May 16, 1995**

[54] TIME SWITCH CLOCK

[75] Inventors: **Martin Weichhold**,
Villingen-Schwenningen; **Walter Kieninger**,
Mönchweiler; **Bernhard Tinz**,
Reutlingen; **Edmund Sehl**,
Köngen, all of Germany

[73] Assignee: **Grässlin KG**, St. Georgen, Germany

[**] Term: **14 Years**

[21] Appl. No.: **13,406**

[22] Filed: **Sep. 23, 1993**

[30] Foreign Application Priority Data

Mar. 30, 1993 [DE] Germany 93 02 577.7

[52] U.S. Cl. **D10/40; D10/15 X**

[58] Field of Search **D10/1-40,**
D10/122-132, 75; 200/38 R; 307/140 R, 141 R,
141.4; 368/97-100, 107-109, 121, 246

[56] References Cited

U.S. PATENT DOCUMENTS

D. 300,410 3/1989 Rico D10/40

D. 325,175	4/1992	Tinz	D10/40
3,160,719	12/1964	Seidel	200/38 R
3,464,200	9/1969	Merrick	368/28 X
3,713,285	1/1973	Haufe	368/108
3,823,547	7/1974	Hulterstrum	D10/40 X
4,280,063	7/1981	Yokomori	368/107 X
4,547,077	10/1985	Arichi	368/107

FOREIGN PATENT DOCUMENTS

0230074 10/1986 Japan 368/112

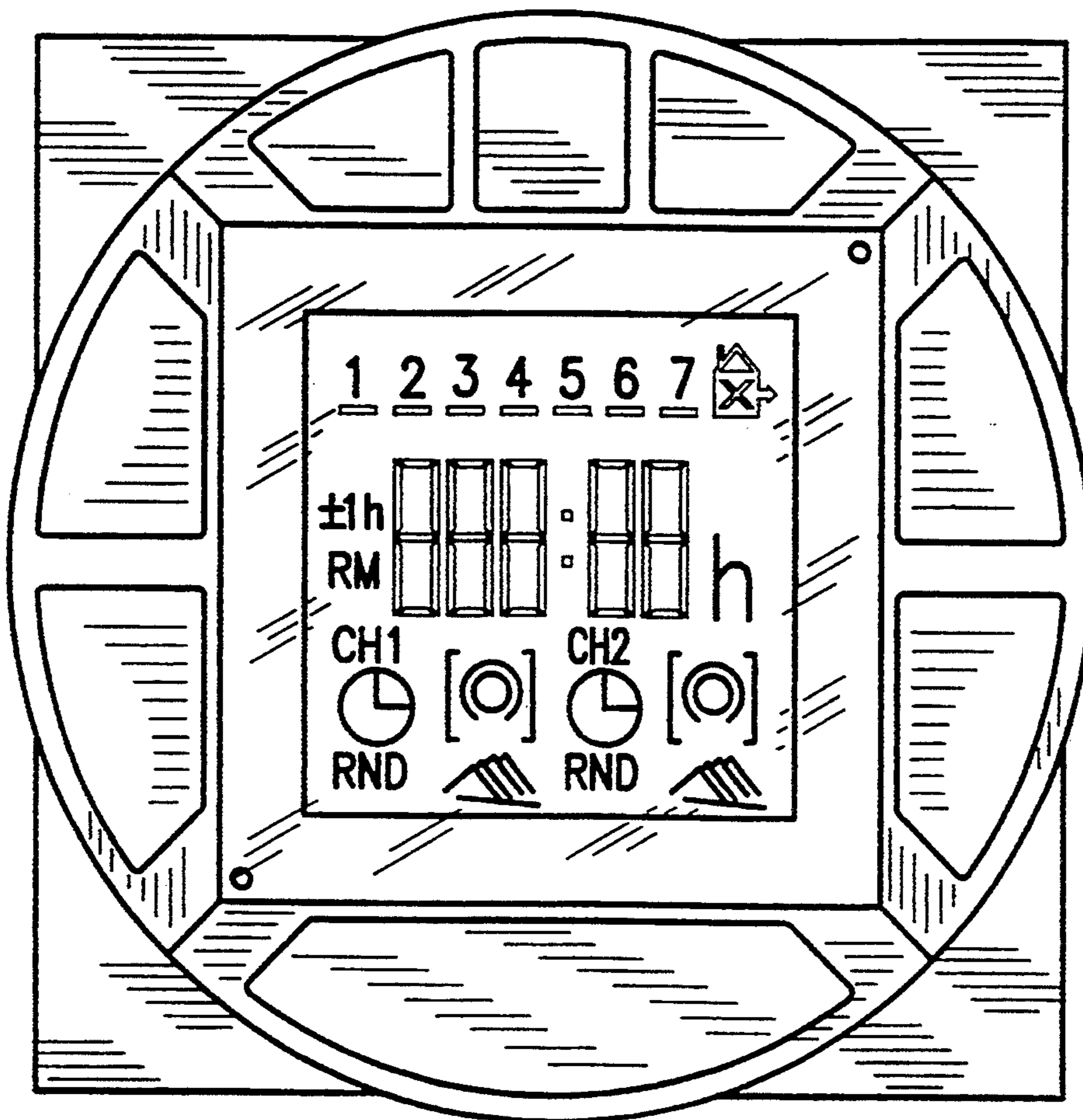
Primary Examiner—Nelson C. Holtje
Attorney, Agent, or Firm—Horst M. Kasper

[57] CLAIM

The ornamental design for a time switch clock, as shown and described.

DESCRIPTION

FIG. 1 is a front elevational view of a time switch clock showing our new design;
FIG. 2 is a bottom plan view thereof;
FIG. 3 is a right side elevational view thereof;
FIG. 4 is a top plan view thereof;
FIG. 5 is a left side elevational view thereof; and,
FIG. 6 is a rear elevational view thereof.



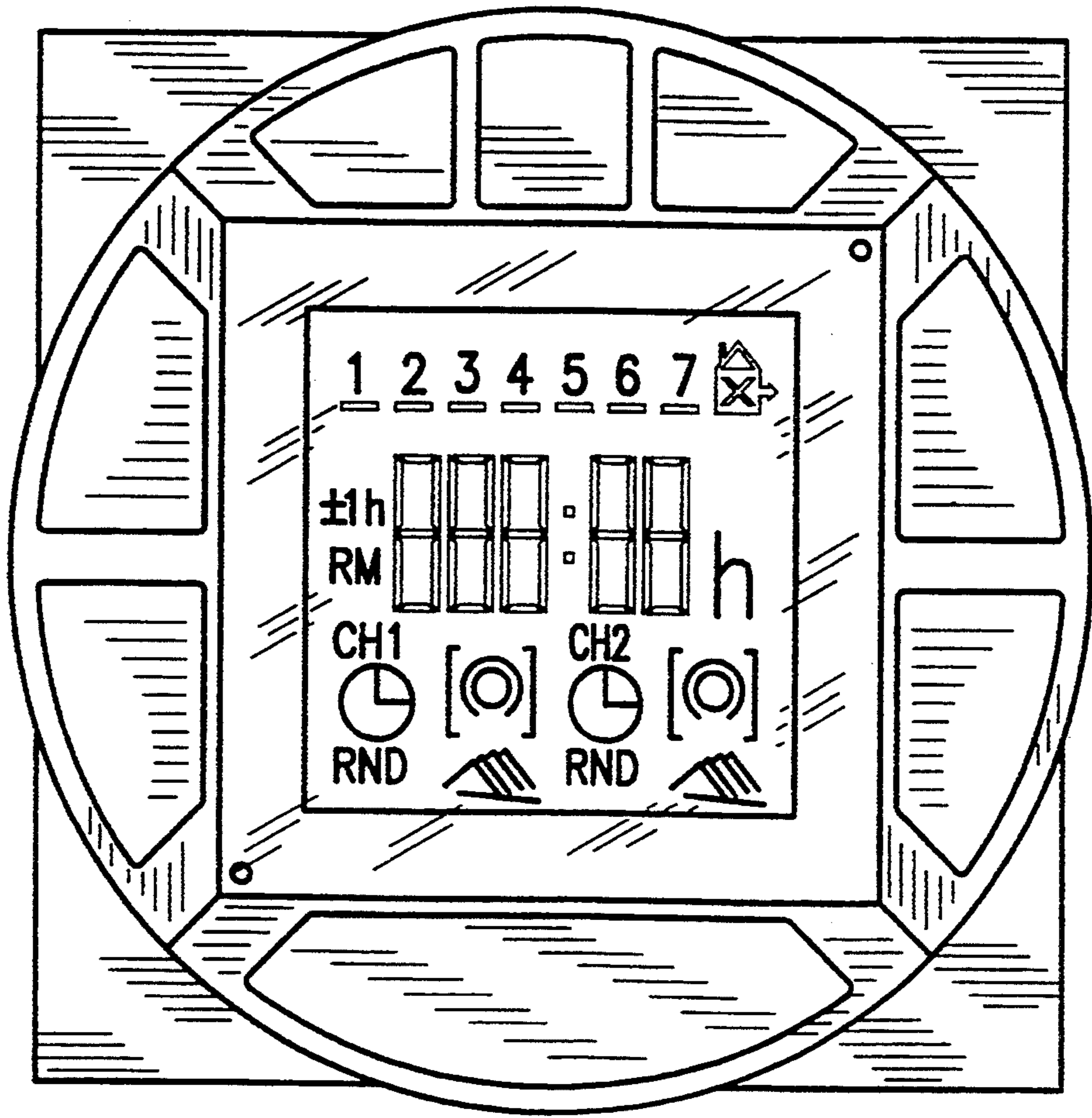


Fig. 1

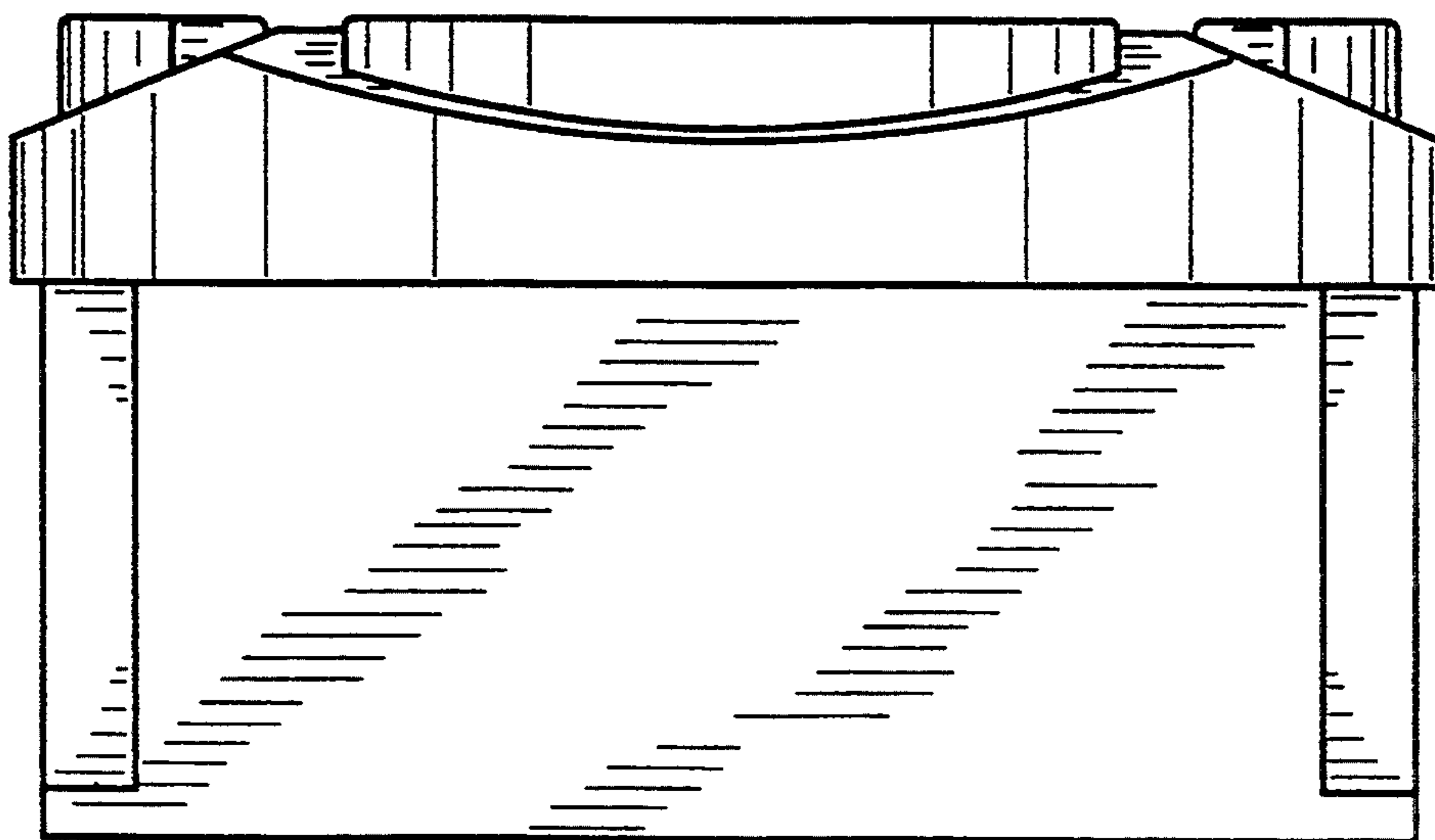


Fig.2

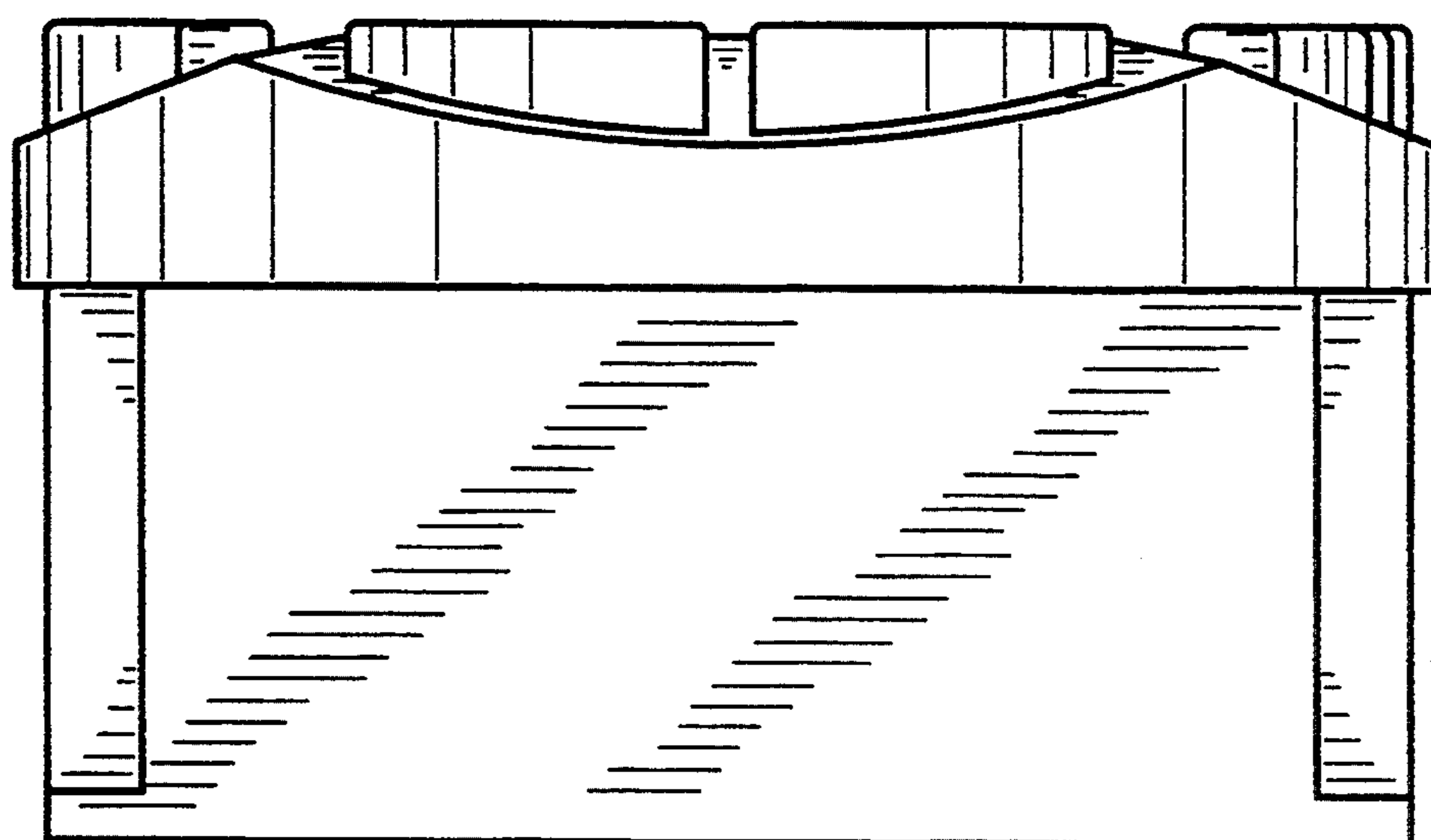


Fig.3

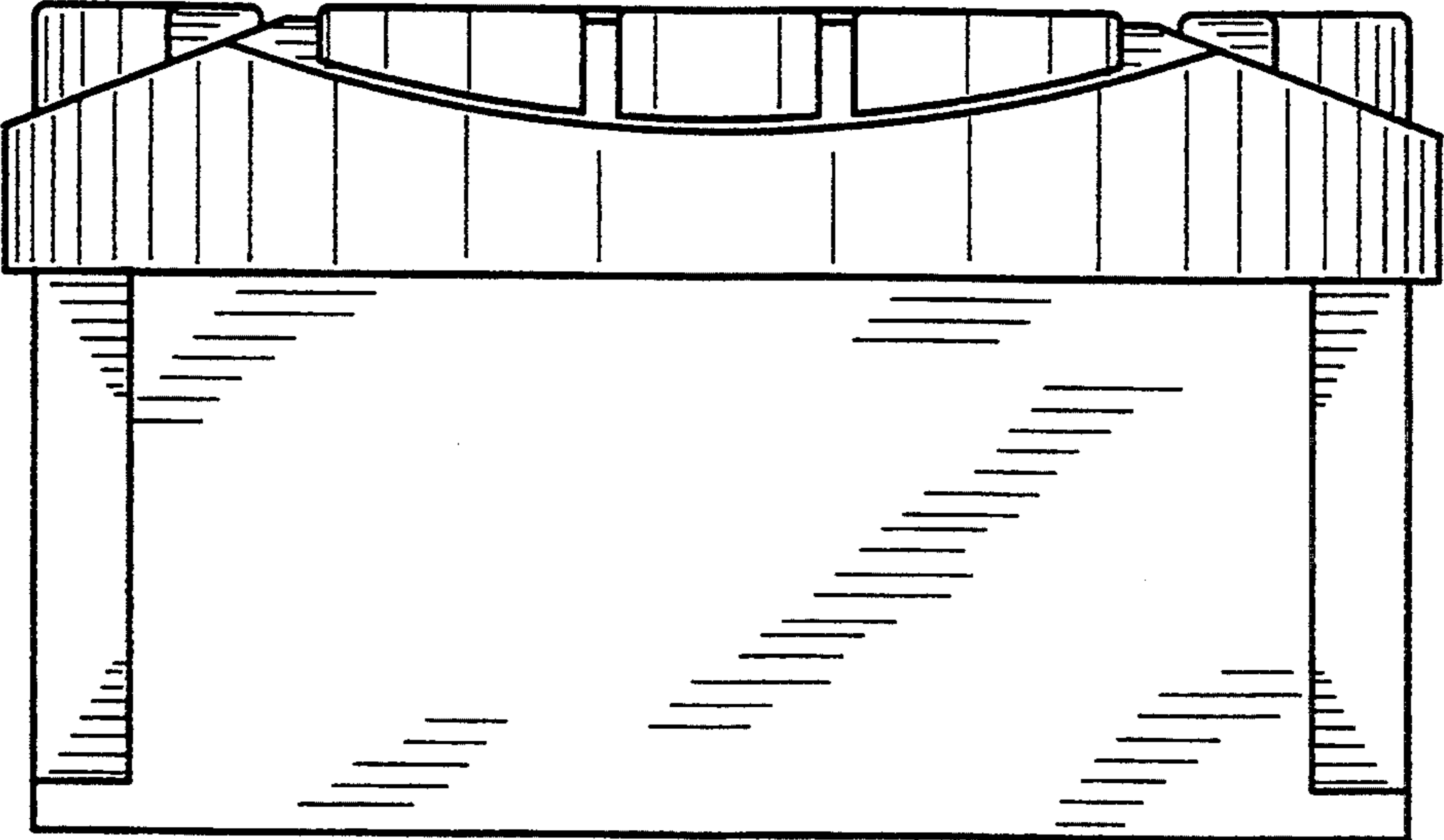


Fig.4

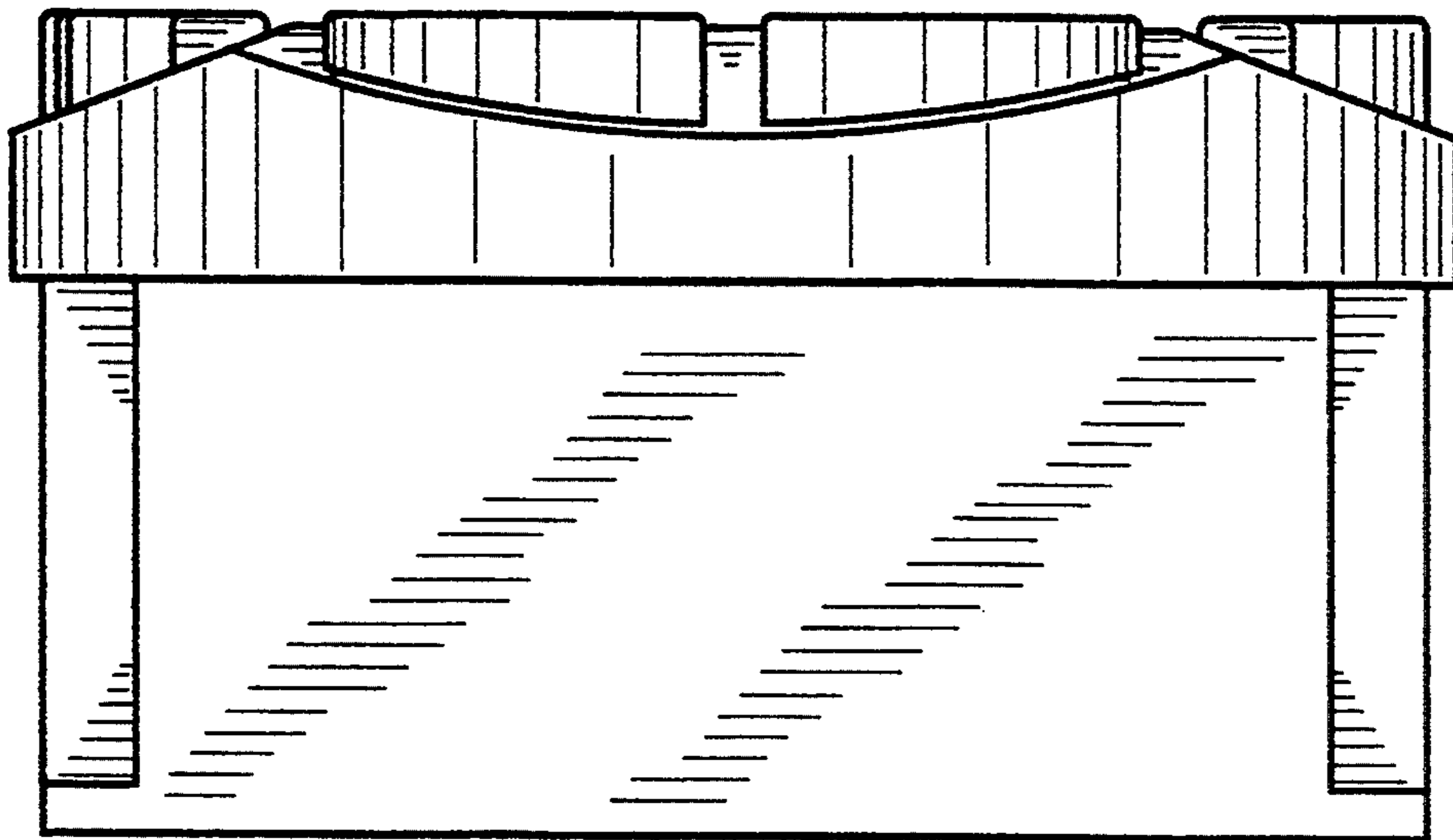


Fig.5

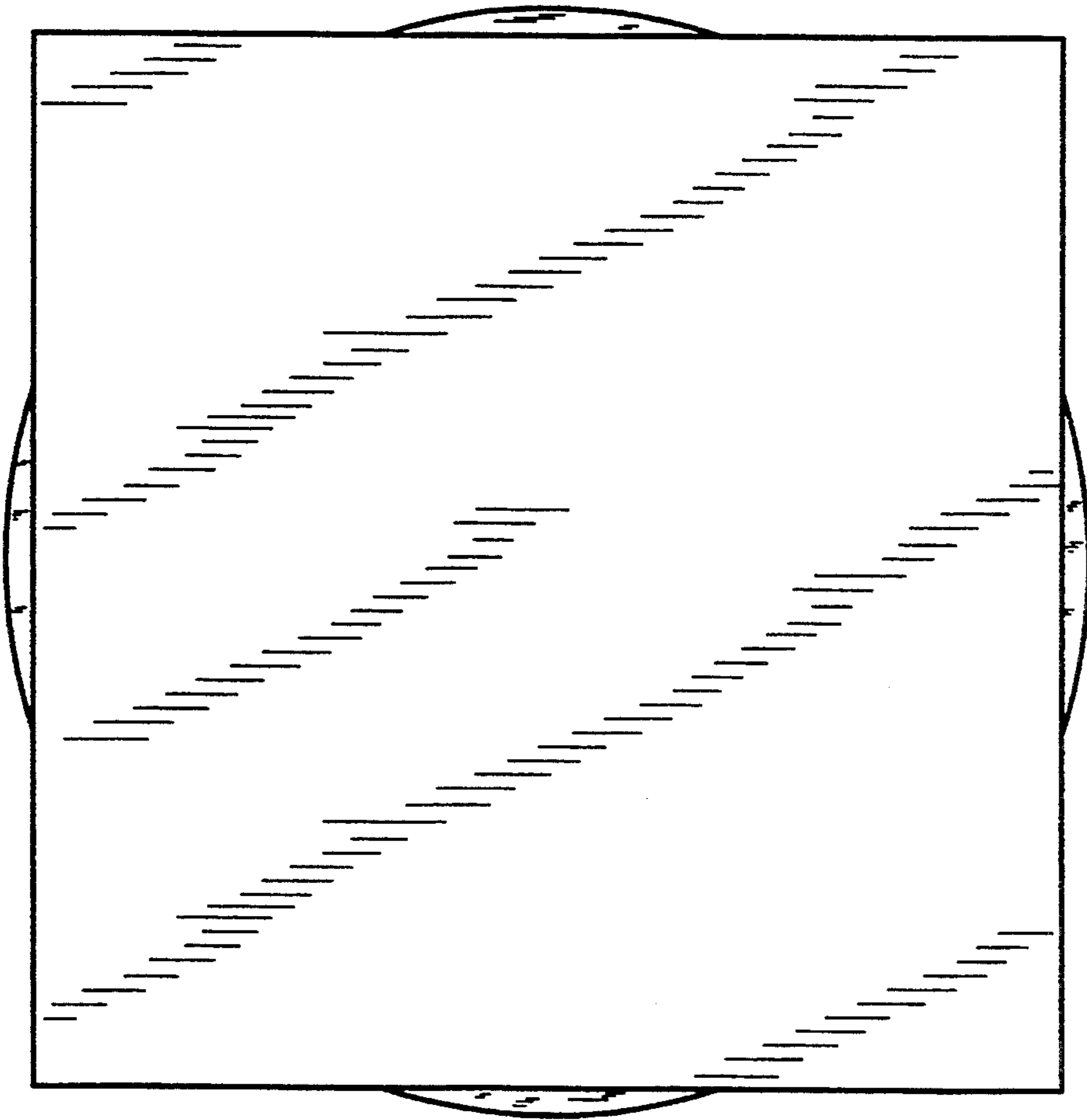


Fig.6