



US00D358339S

United States Patent [19]

[11] Patent Number: **Des. 358,339**

Wong

[45] Date of Patent: **** May 16, 1995**

- [54] **SQUARE ANALOG CLOCK**
- [75] Inventor: **Lai Ling Wong, Shatin, Hong Kong**
- [73] Assignee: **Ballanda Limited, Kwai Chung, Hong Kong**
- [**] Term: **14 Years**
- [21] Appl. No.: **13,837**
- [22] Filed: **Oct. 4, 1993**
- [52] U.S. Cl. **D10/18; D10/26**
- [58] Field of Search **D10/1-40, D10/122-132; 368/97-100, 107-121, 276-277, 285, 316, 317**

D. 347,183 5/1994 Inura D10/26 X

Primary Examiner—Nelson C. Holtje
Attorney, Agent, or Firm—Beveridge, DeGrandi, Weilacher & Young

[57] CLAIM

The ornamental design for a square analog clock, as shown and described.

DESCRIPTION

FIG. 1 is a front elevational view of a square analog clock showing my new design;
 FIG. 2 is a back elevational view thereof;
 FIG. 3 is a left side elevational view thereof;
 FIG. 4 is a right side elevational view thereof;
 FIG. 5 is a top elevational view thereof;
 FIG. 6 is a bottom elevational view thereof;
 FIG. 7 is a front elevational view thereof, with lid being in a covered position;
 FIG. 8 is a bottom elevational view thereof, with lid being in a covered position; and,
 FIG. 9 is a right side elevational view thereof, with lid being in a covered position.

[56] References Cited

U.S. PATENT DOCUMENTS

- D. 309,573 7/1990 Hirota D10/26 X
- D. 309,574 7/1990 Mayuzumi D10/26 X
- D. 310,919 10/1990 Sakai D6/311
- D. 321,661 11/1991 Shimamura D10/26 X
- D. 321,663 11/1991 Tanaka D10/18
- D. 337,950 8/1993 Davis D10/15
- D. 347,180 5/1994 Mukoyama D10/24 X

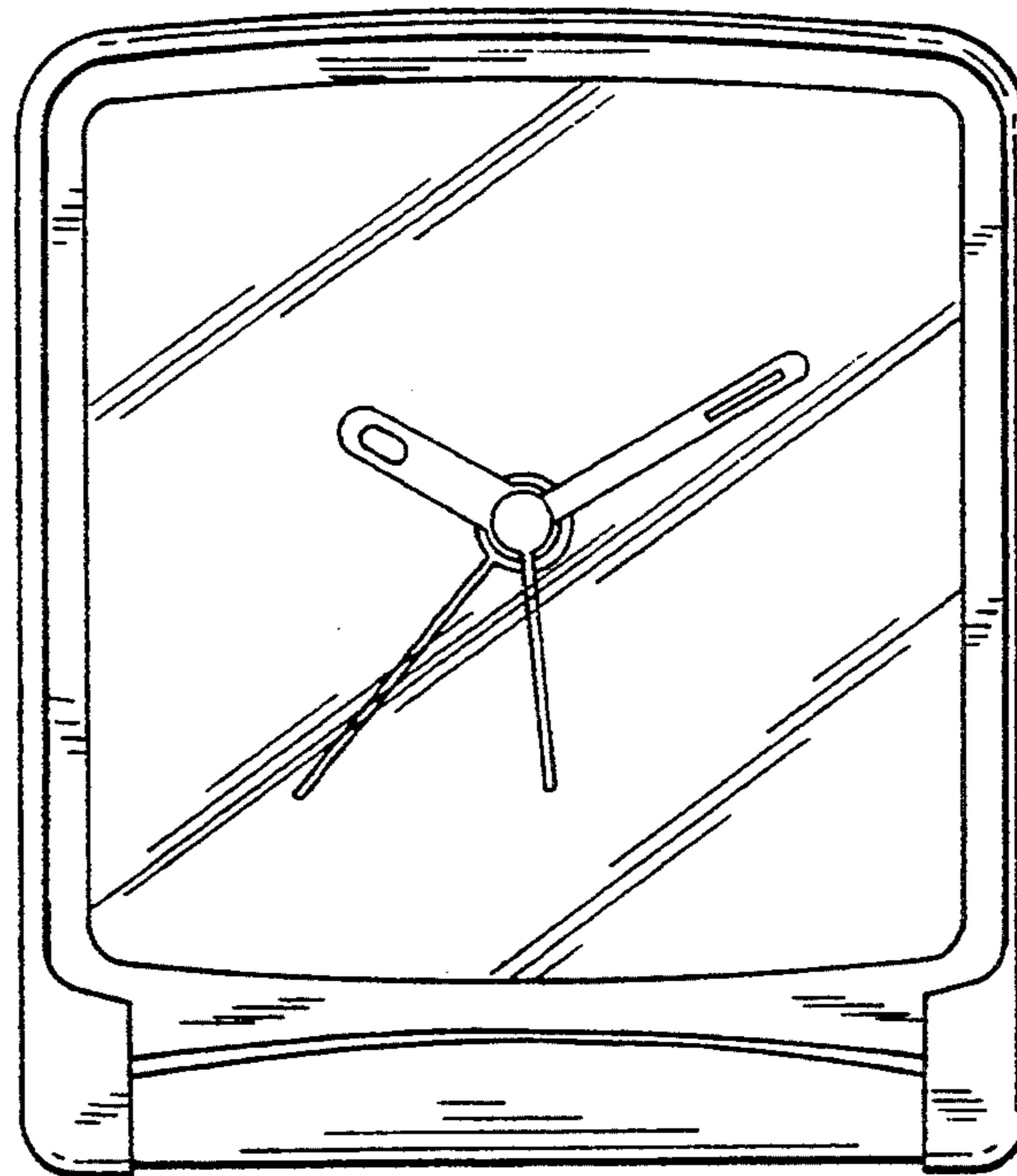


FIG. 1

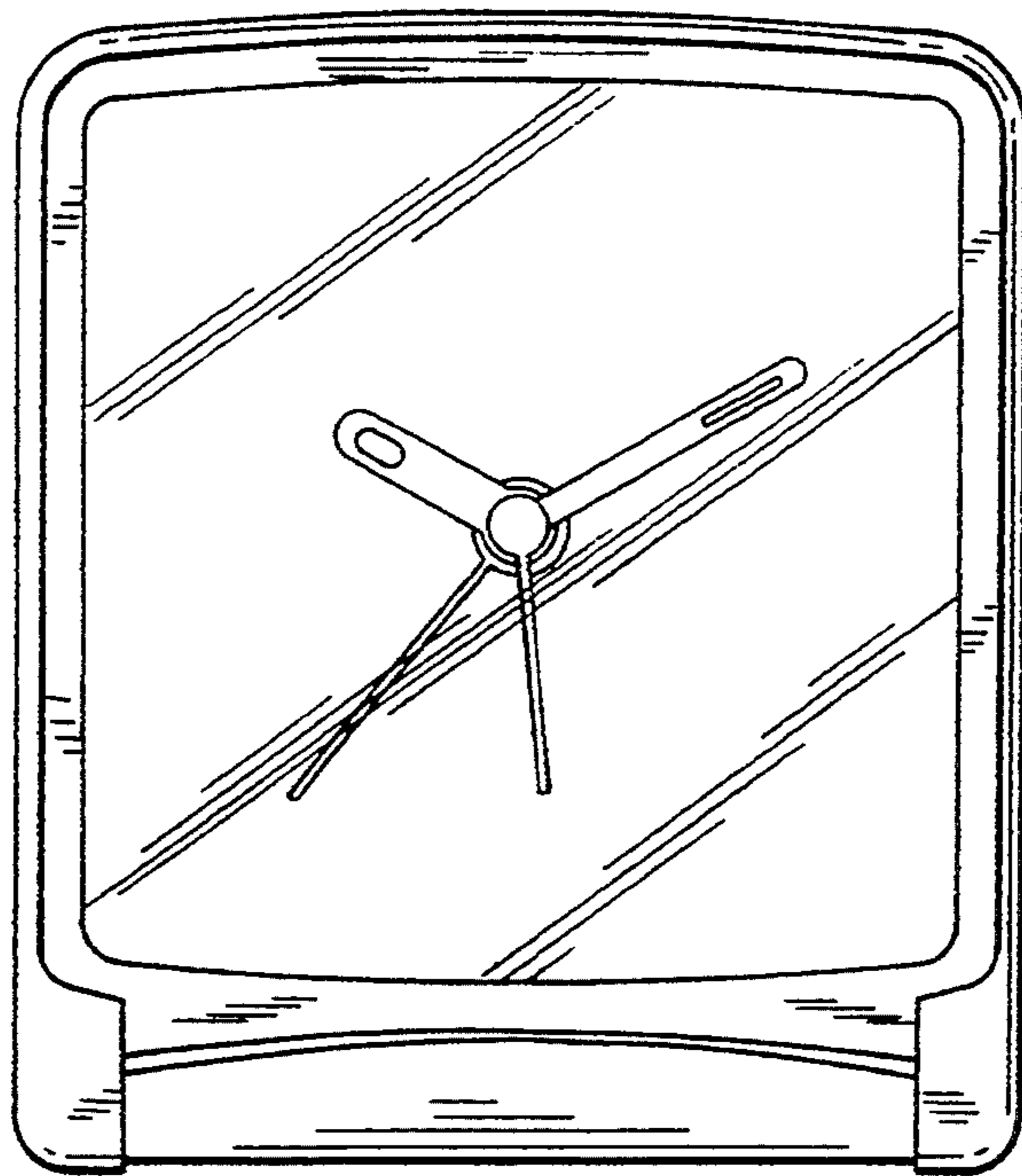


FIG. 2

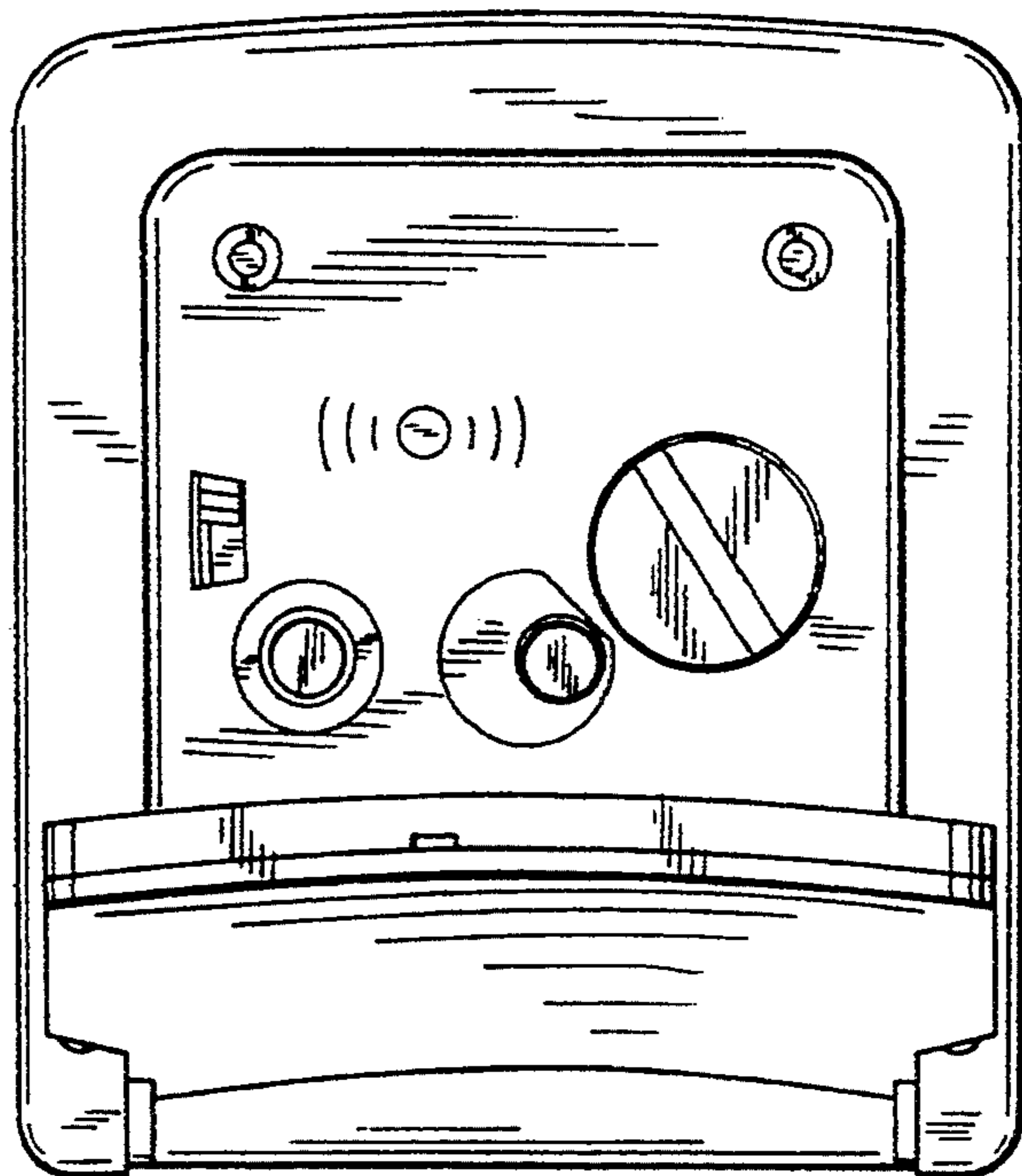


FIG. 3

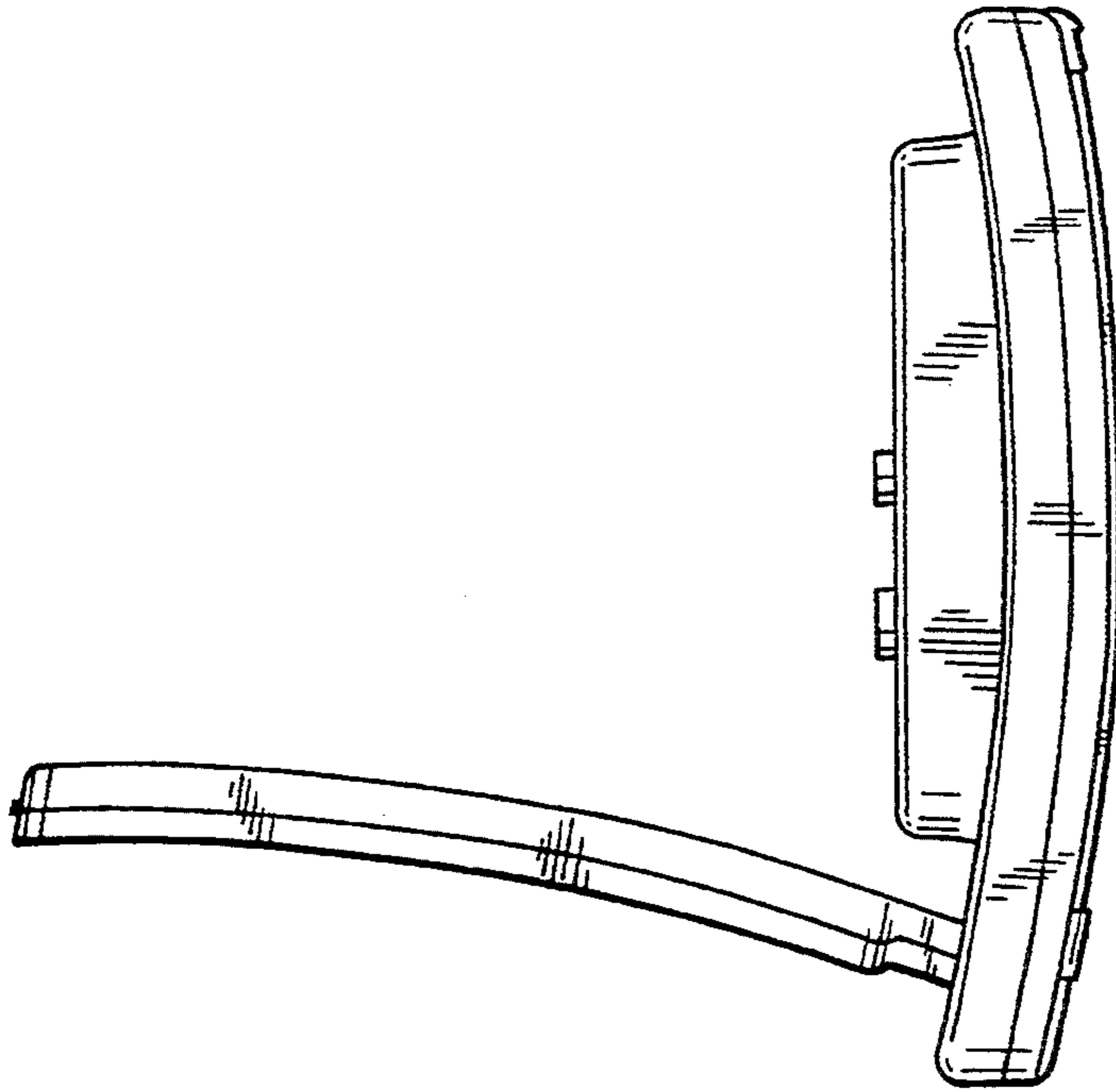


FIG. 4

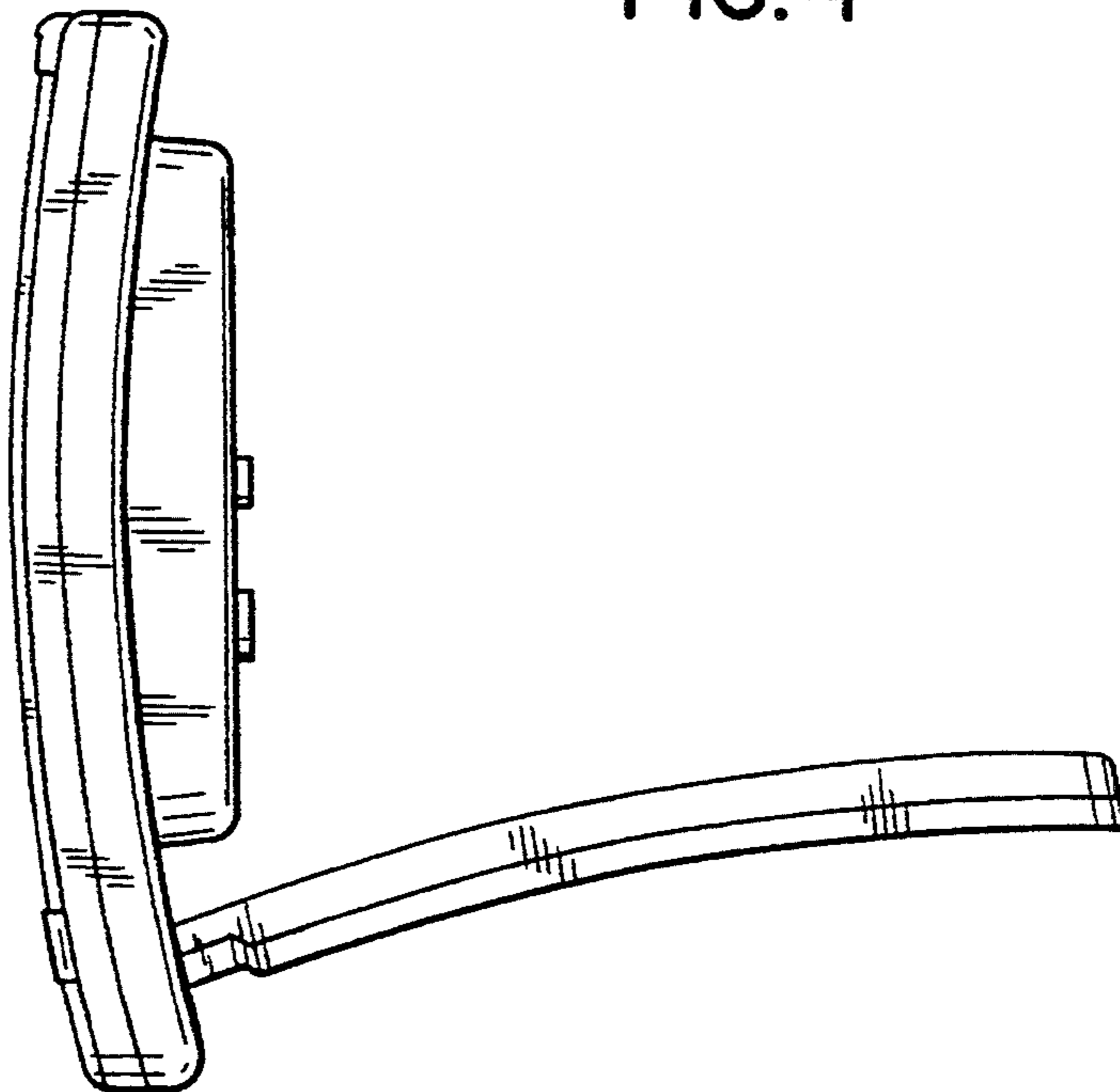


FIG. 5

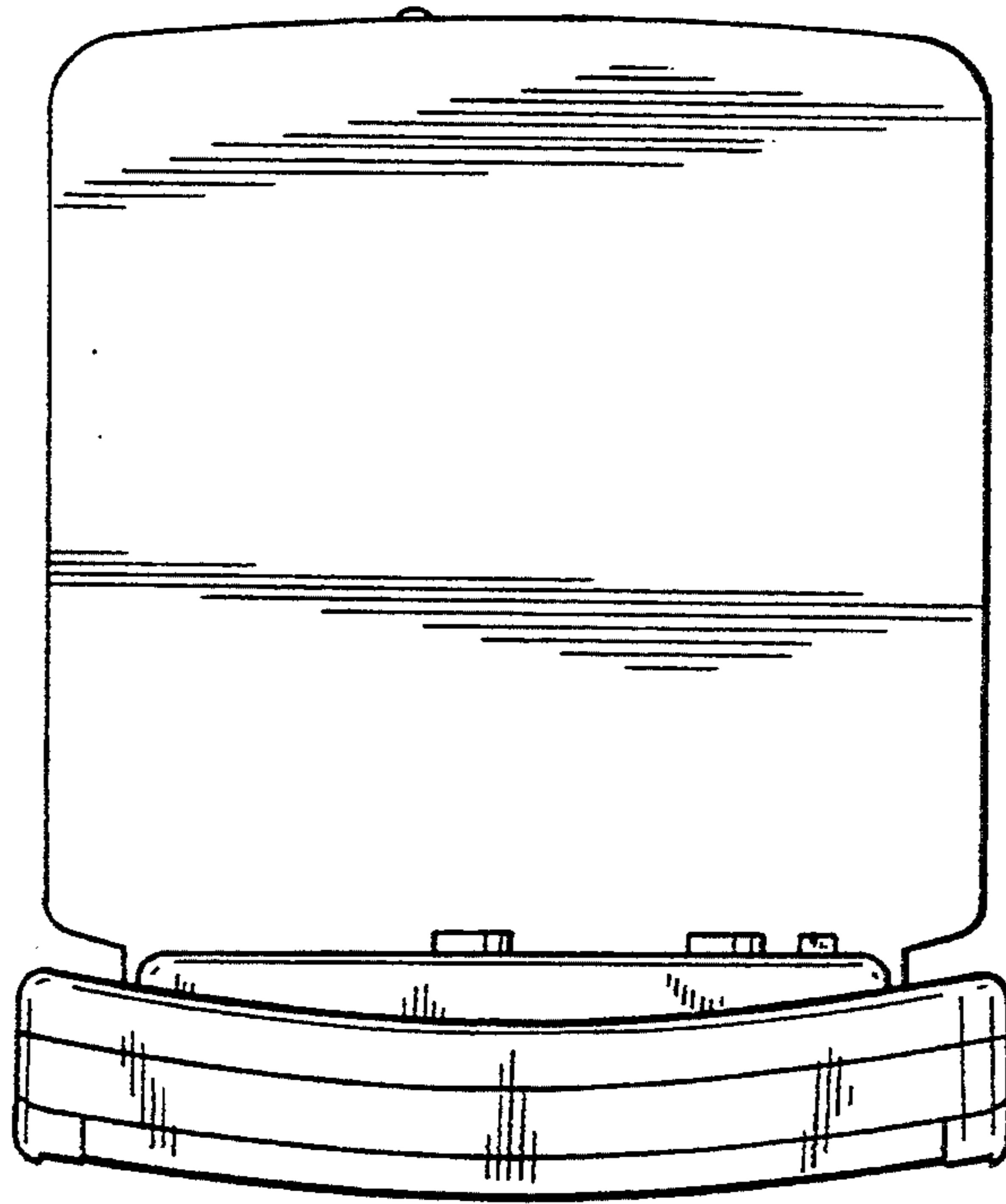


FIG. 6

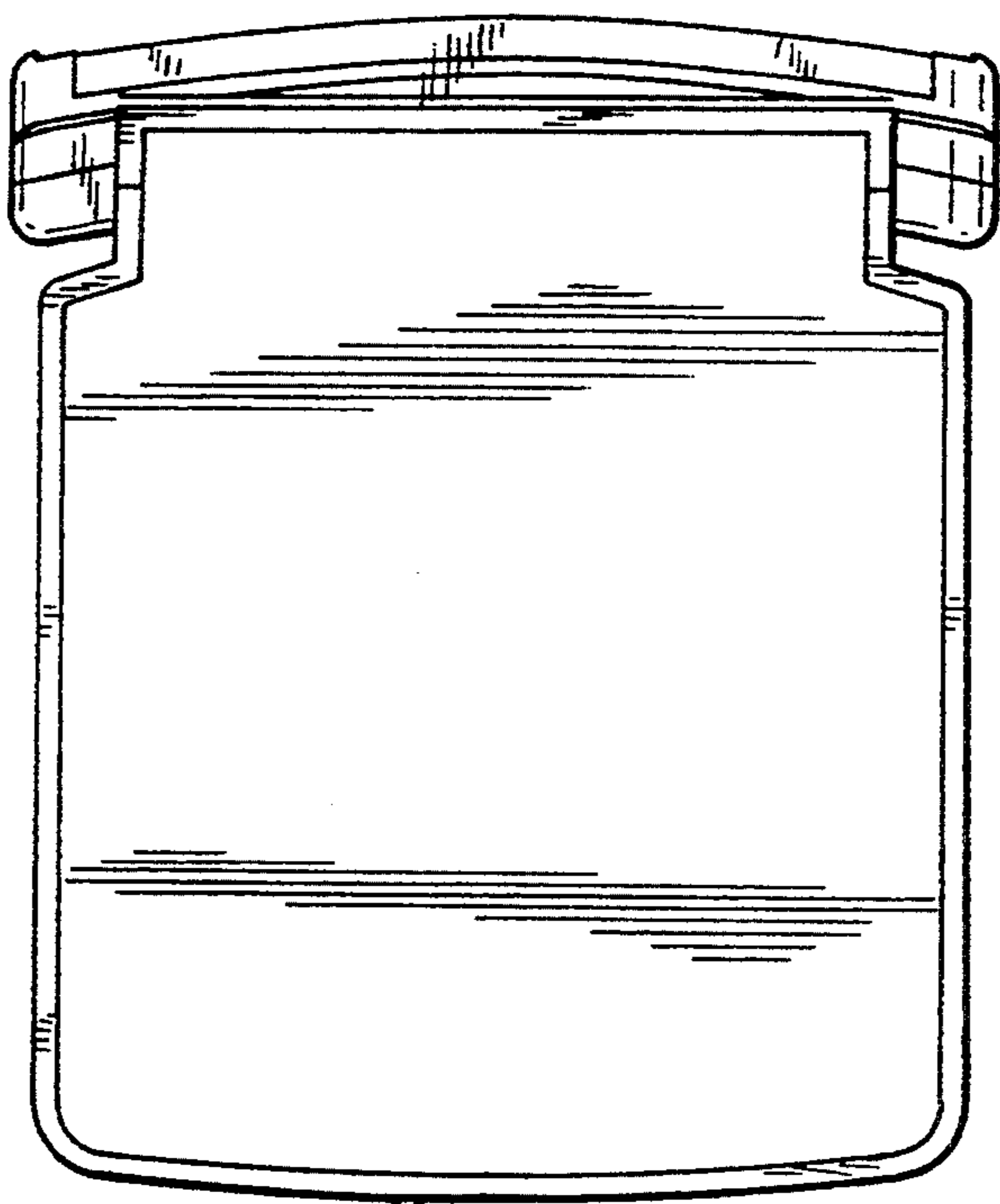


FIG. 7

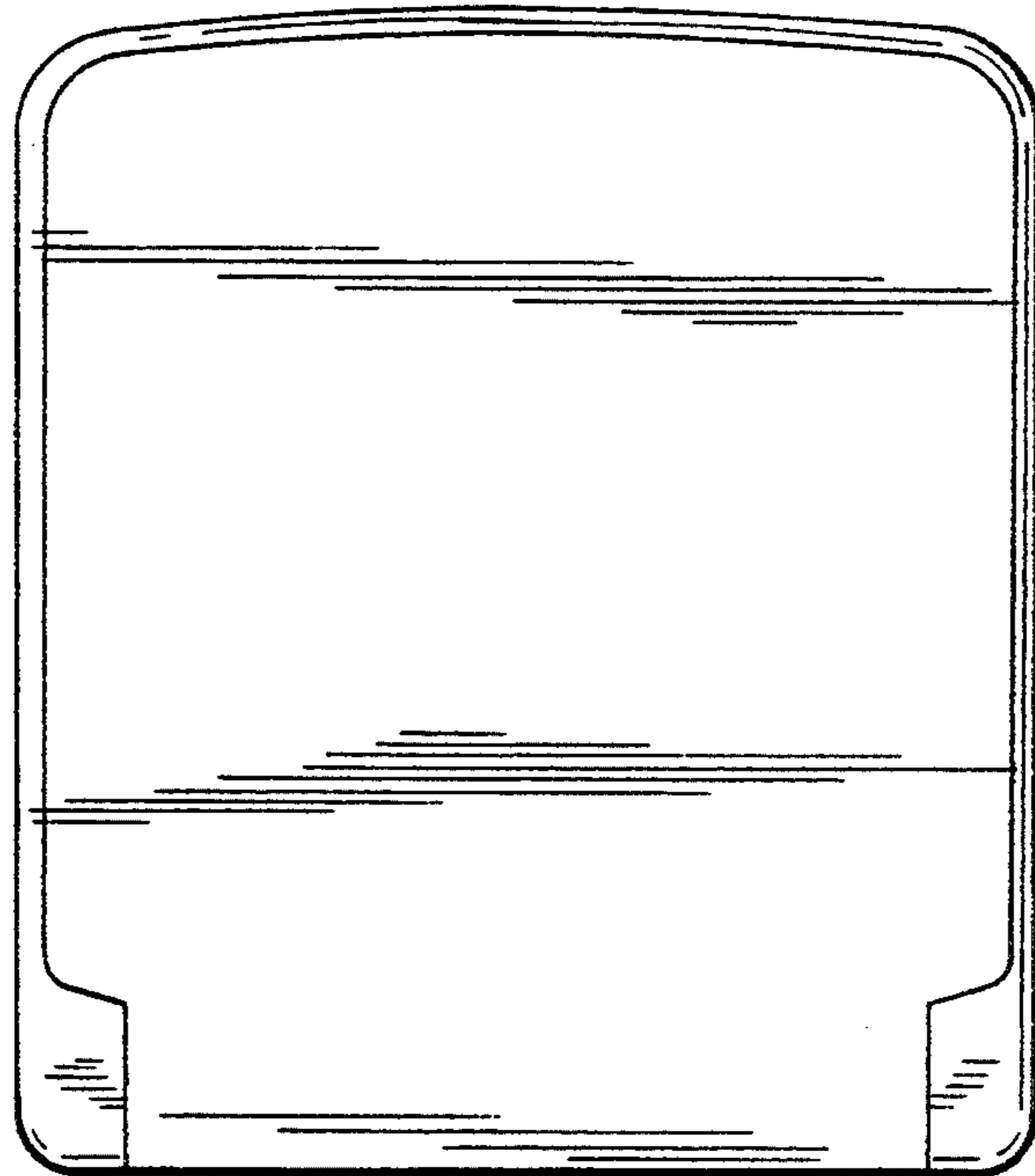


FIG. 9

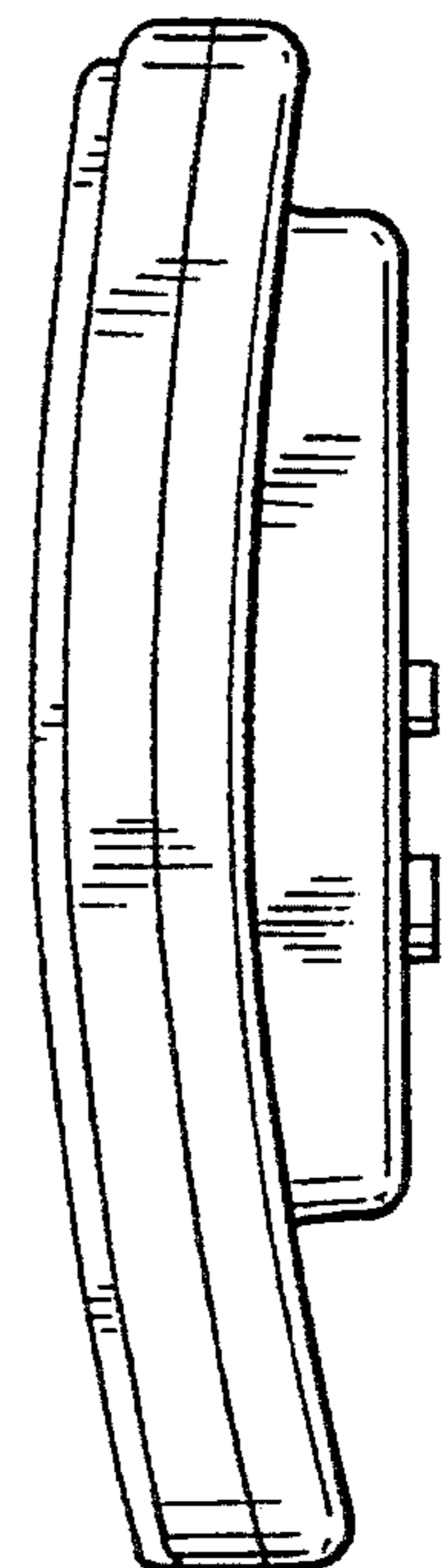


FIG. 8

