



US00D358338S

United States Patent [19]

Wong

[11] Patent Number: Des. 358,338

[45] Date of Patent: ** May 16, 1995

[54] DREAM CLOCK

[75] Inventor: Lai L. Wong, Shatin, Hong Kong

[73] Assignee: Ballanda Limited, Kwai Chung, Hong Kong

[**] Term: 14 Years

[21] Appl. No.: 12,930

[22] Filed: Sep. 14, 1993

[52] U.S. Cl. D10/15; D10/2; D14/175

[58] Field of Search D10/1-40, D10/122-132; D14/175; 368/97-100, 107-121, 276-277, 285, 316, 317, 82-89, 239-242

[56] **References Cited**

U.S. PATENT DOCUMENTS

D. 183,295 7/1958 Vickery D10/25 X

D. 262,880 2/1982 van de Ven D10/2 X
D. 320,944 10/1991 Wada D10/40 X
D. 346,749 5/1994 Wong D10/24 X
D. 347,183 5/1994 Inura D10/26 X

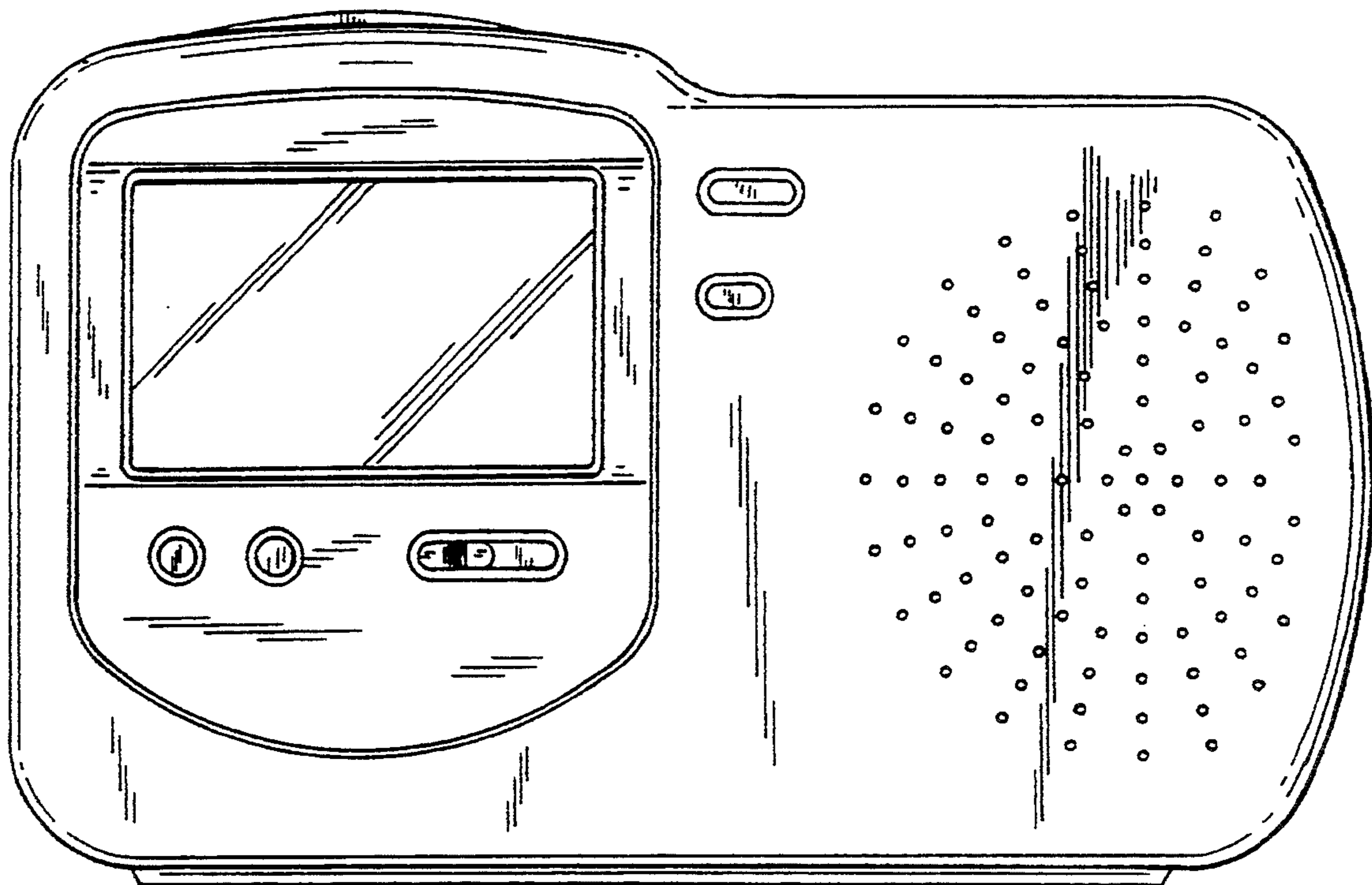
Primary Examiner—Nelson C. Holtje
Attorney, Agent, or Firm—Beveridge, DeGrandi, Weilacher & Young

[57] **CLAIM**

The ornamental design for a dream clock, as shown and described.

DESCRIPTION

FIG. 1 is a front elevational view of a dream clock showing my new design;
FIG. 2 is a back elevational view thereof;
FIG. 3 is a left side elevational view thereof;
FIG. 4 is a right side elevational view thereof;
FIG. 5 is a top elevational view thereof; and,
FIG. 6 is a bottom elevational view thereof.



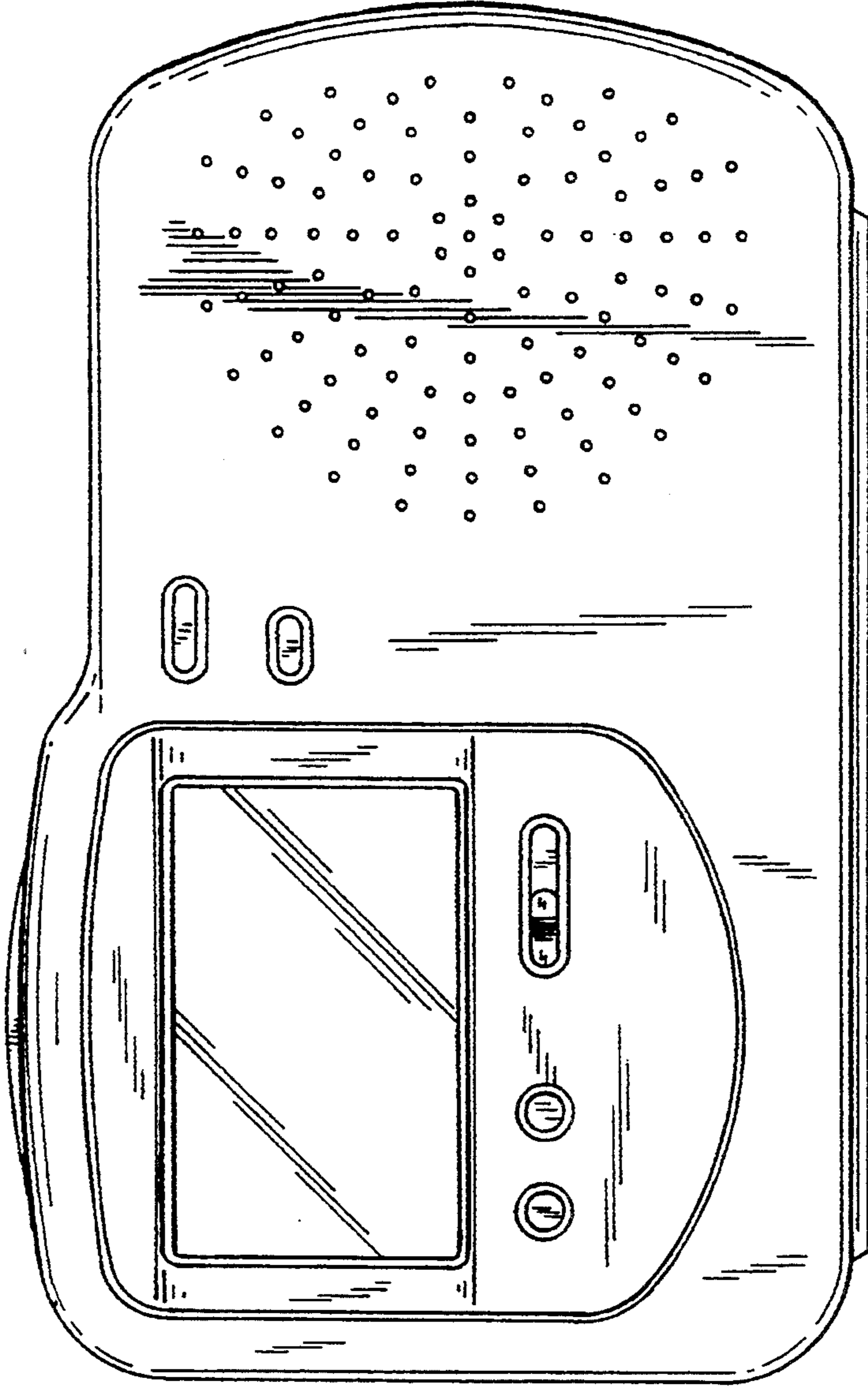


FIG. 1

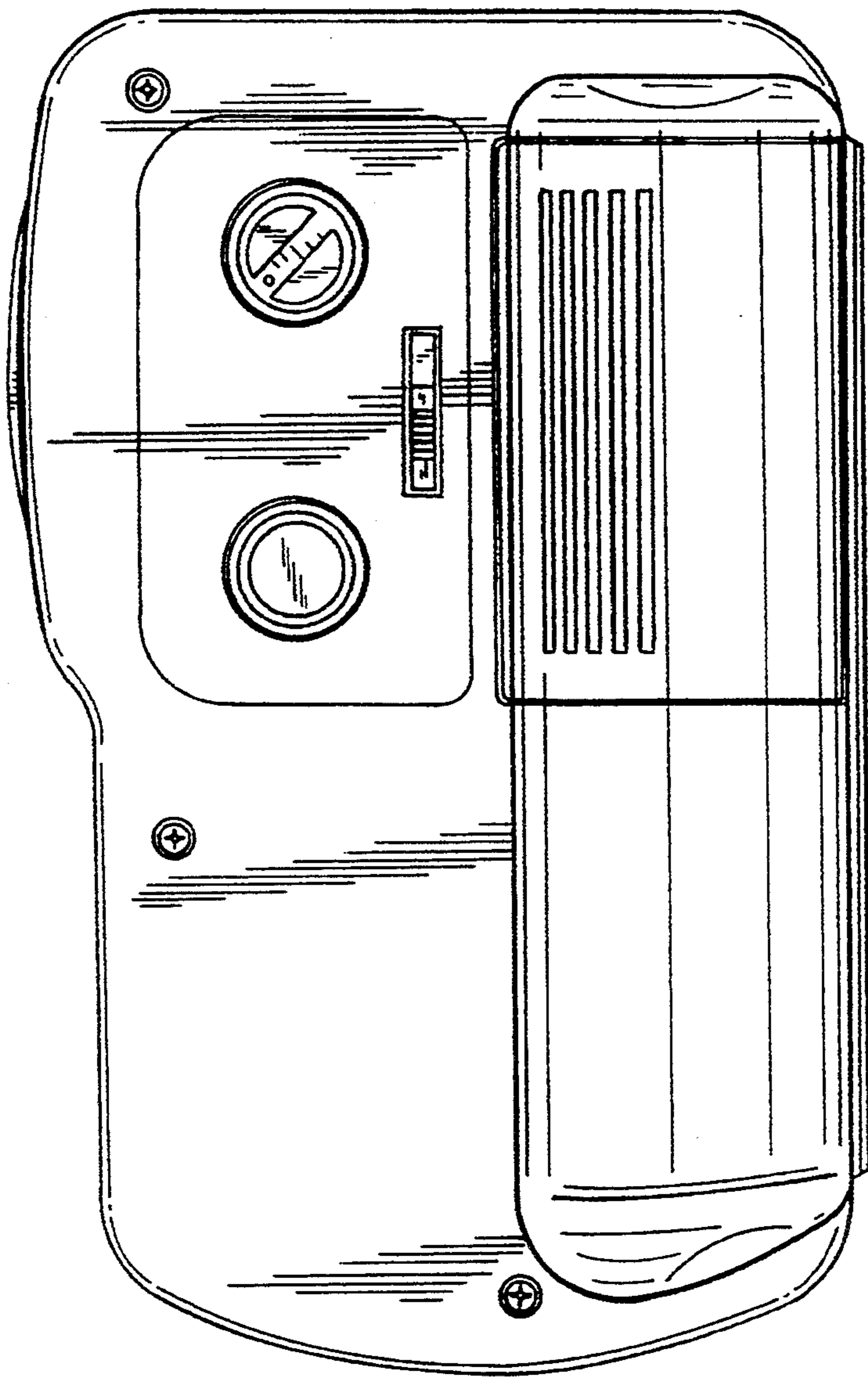


FIG. 2

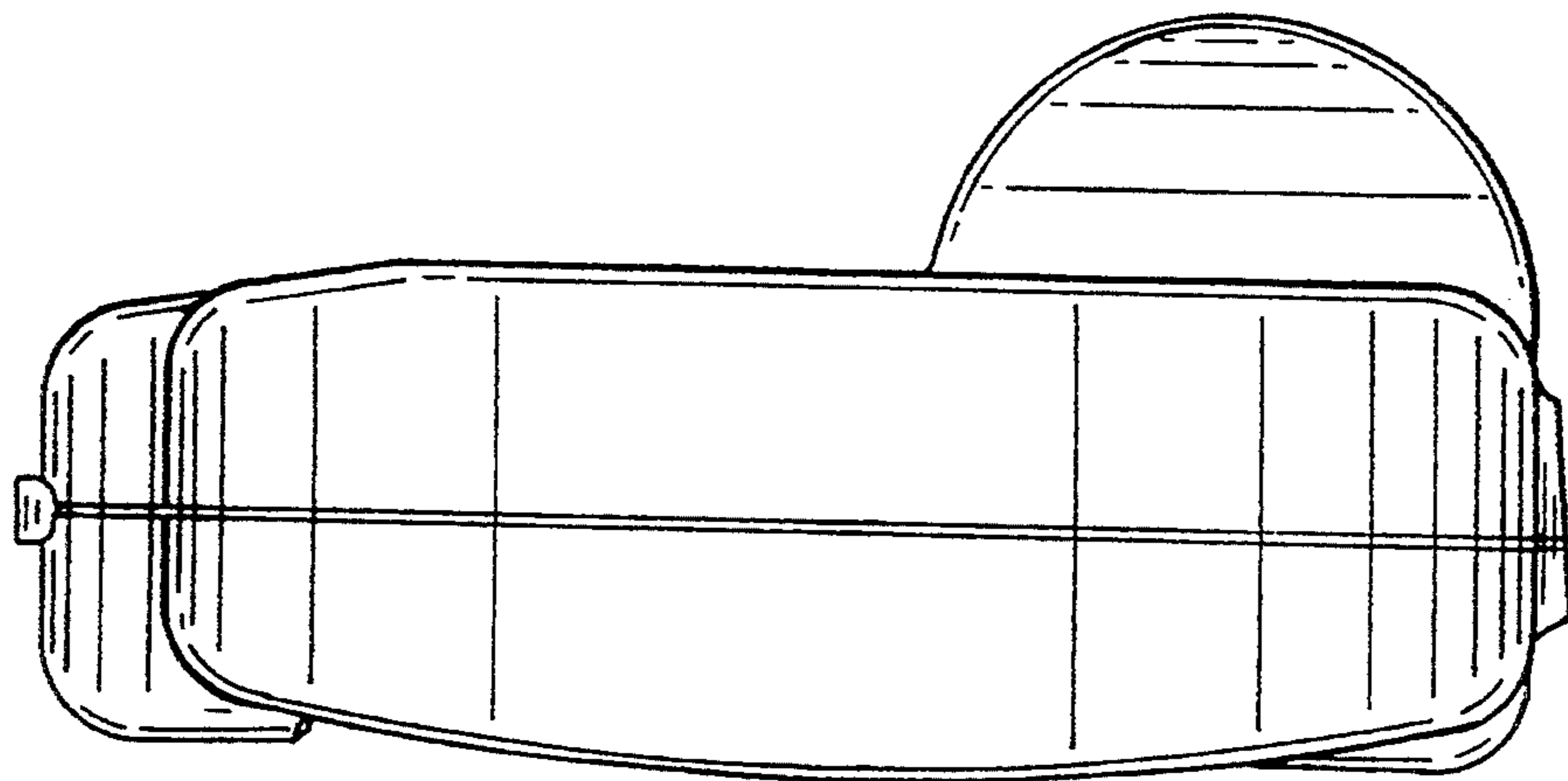


FIG. 4

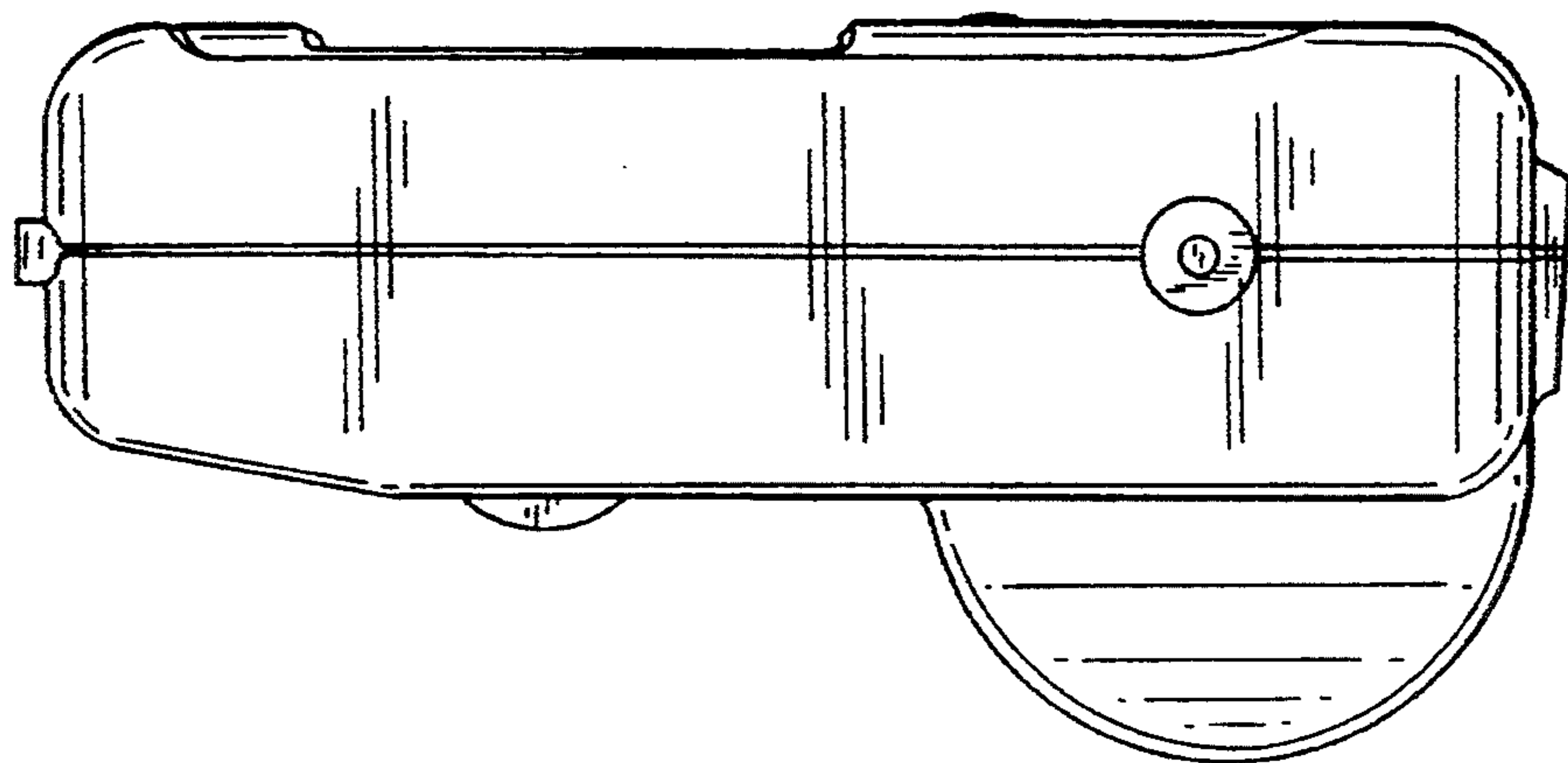


FIG. 3

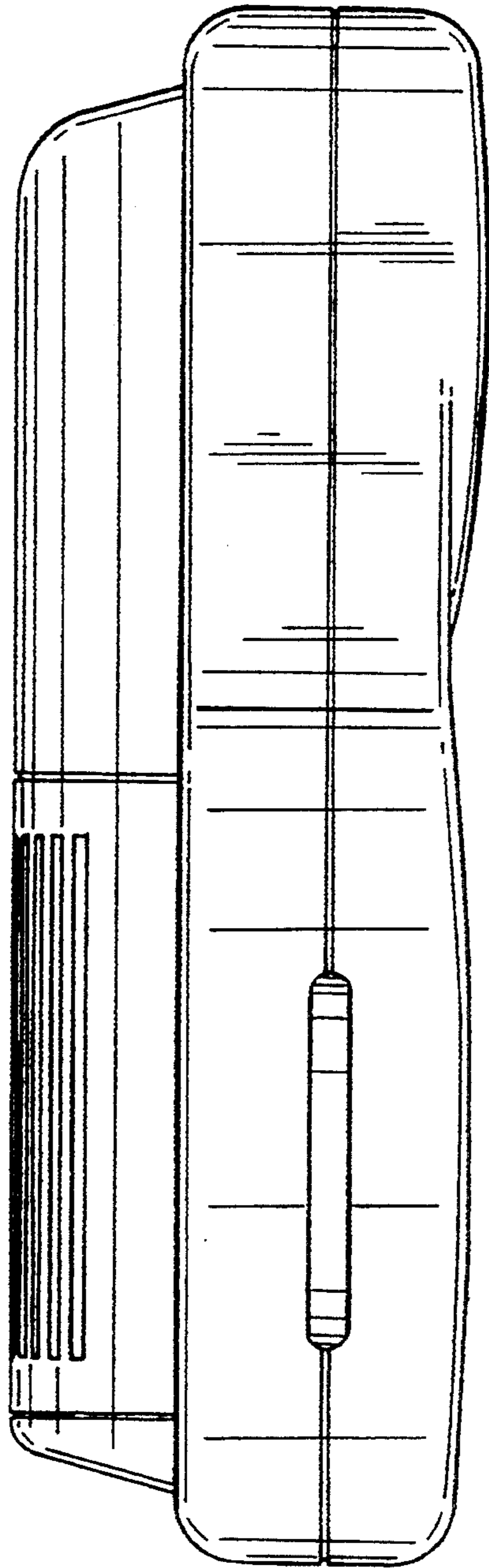


FIG. 5

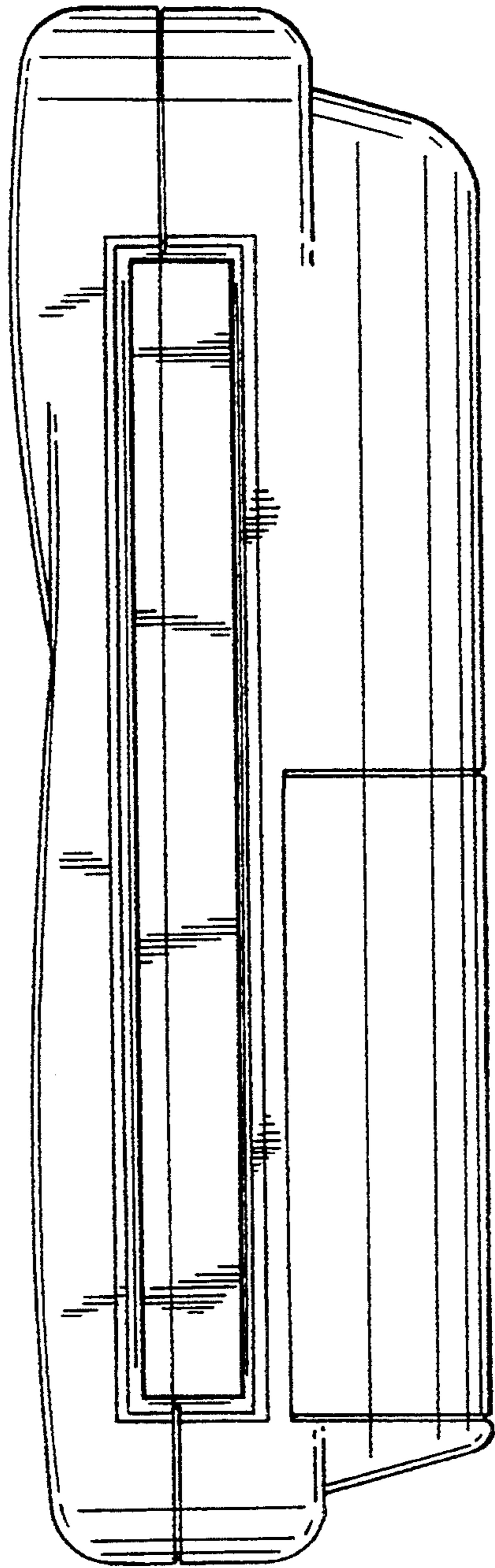


FIG. 6