



US00D358328S

United States Patent [19]

[11] Patent Number: **Des. 358,328**

Huerto et al.

[45] Date of Patent: **** May 16, 1995**

[54] LID FOR STORAGE CONTAINER

[75] Inventors: **Robert R. Huerto**, Farragut, Tenn.;
Jerry L. Sharber, Cypress, Calif.

[73] Assignee: **Rubbermaid Office Products Inc.**,
Maryville, Tenn.

[**] Term: **14 Years**

[21] Appl. No.: **16,090**

[22] Filed: **Dec. 7, 1993**

[52] U.S. Cl. **D9/435; D9/443**

[58] Field of Search **D9/424-425,**
D9/432, 434-436, 443, 499; D7/391, 392.1,
502; 206/503-504, 508, 518; 211/126; 220/1.5,
4.22, 306; 312/231, 237, 270

[56] References Cited

U.S. PATENT DOCUMENTS

| | | | |
|------------|---------|----------------------------|---------|
| D. 194,560 | 2/1963 | Ringlen | D9/425 |
| D. 238,051 | 12/1975 | Fier | D9/240 |
| D. 238,148 | 12/1975 | Dilot | D9/219 |
| D. 246,828 | 1/1978 | White | D9/267 |
| D. 280,216 | 8/1985 | Boklund | D19/52 |
| D. 287,803 | 1/1987 | Daenen et al. | D9/435 |
| D. 302,774 | 8/1989 | Murphy | D7/76 |
| D. 308,340 | 6/1990 | Ilsen et al. | D9/425 |
| D. 311,334 | 10/1990 | Flynn et al. | D9/424 |
| D. 328,425 | 8/1992 | Brightbill | D9/425 |
| D. 330,161 | 10/1992 | Schuh | D9/425 |
| D. 350,880 | 9/1994 | Van Valkenburg et al. | D9/425 |
| 3,506,324 | 4/1970 | Fristedt | 312/231 |
| 5,366,104 | 11/1994 | Armstrong | 220/306 |

OTHER PUBLICATIONS

Pp. M295 and M297, Portable files; Boise Cascade Catalog, address unknown. Publication date 1991.

Pp. 193 and 195, Tote files; S. P. Richards, address unknown. Publication date 1991.

Price List, Portable files; Trav-L-File, Inc., 8855 Cypress Woods Dr., Olive Branch, Miss. 38654. Publication date May 15, 1992.

Sell sheet, Portable files; Newell Office Products Group, 2514 Fish Hatchery Rd., Madison, Wis. 537131-2407. Publication date Jan., 1993.

P. 20, Tote storage file; Esselte Pendaflex Corporation, Clinton Rd., Garden City, N.Y. 11530. Publication date 1991.

P. 7, Plastic storage containers; Tamor, P.O. Box 1186, Leominster, Mass. 01453. Publication date 1989.

Pp. 8, 11 and 12, Storage containers; Rubbermaid Commercial Products Inc., 3124 Valley Ave., Winchester, Va. 22601. Publication date 1992.

Primary Examiner—Alan P. Douglas

Assistant Examiner—R. Spear

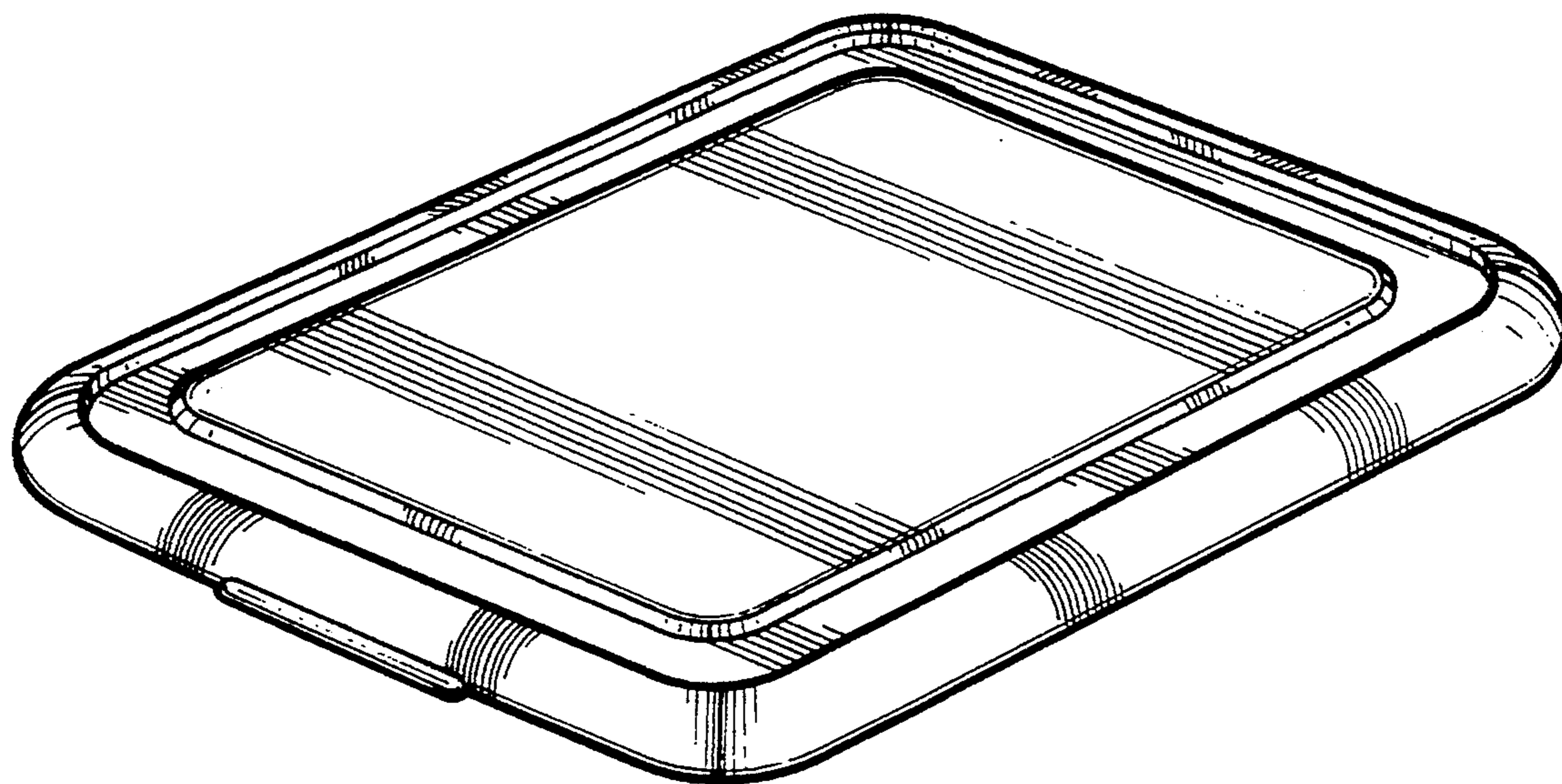
Attorney, Agent, or Firm—Richard B. O'Planick; Lisa B. Riedesel

[57] CLAIM

The ornamental design for a lid for storage container, as shown and described.

DESCRIPTION

FIG. 1 is a top left front perspective view of a lid for storage container showing our new design; FIG. 2 is a top plan view thereof; FIG. 3 is a bottom plan view thereof; FIG. 4 is a front elevational view thereof; the rear elevational view being a mirror image; and, FIG. 5 is a right side elevational view thereof; the left side elevational view being a mirror image.



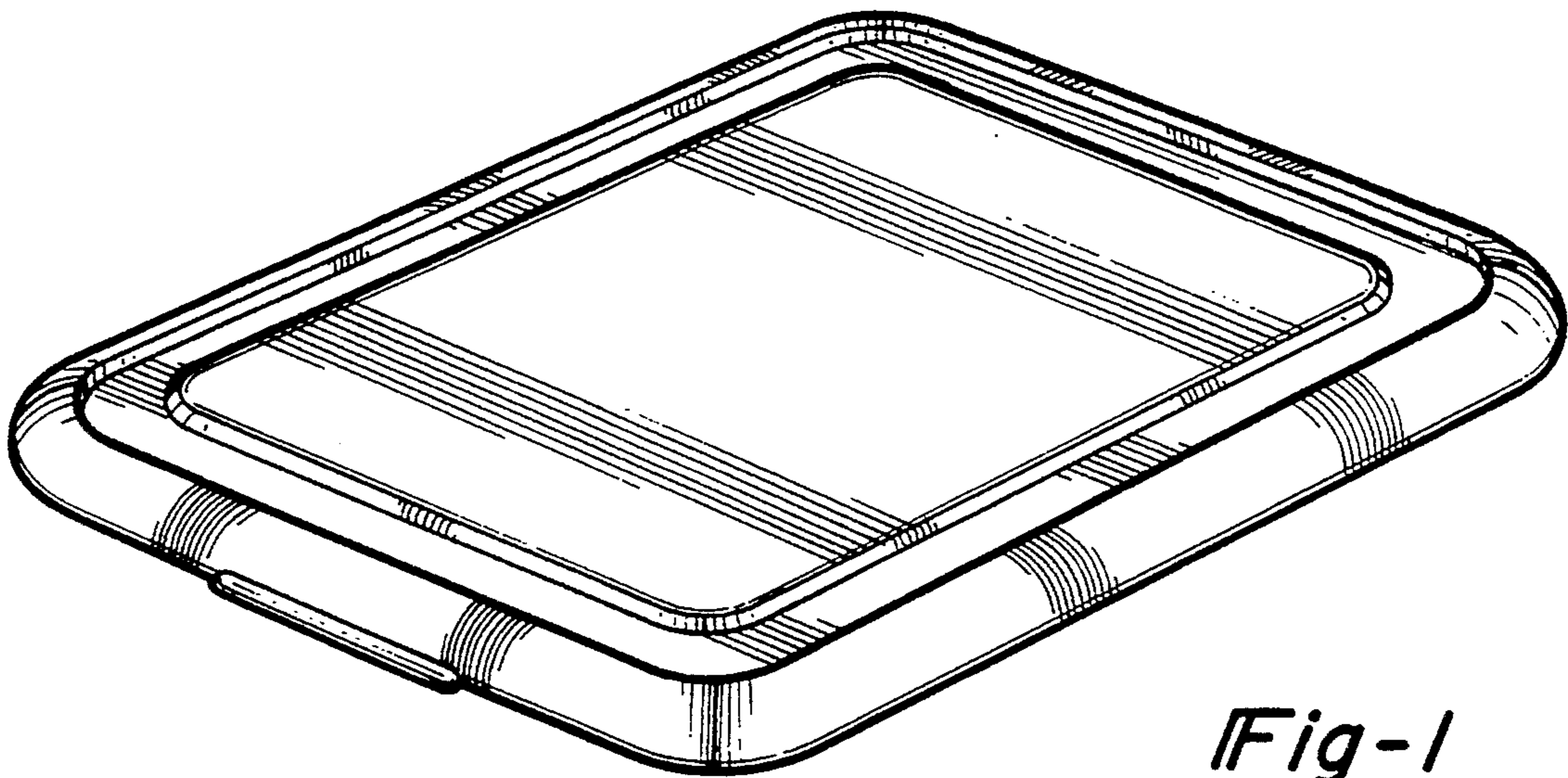


Fig-1

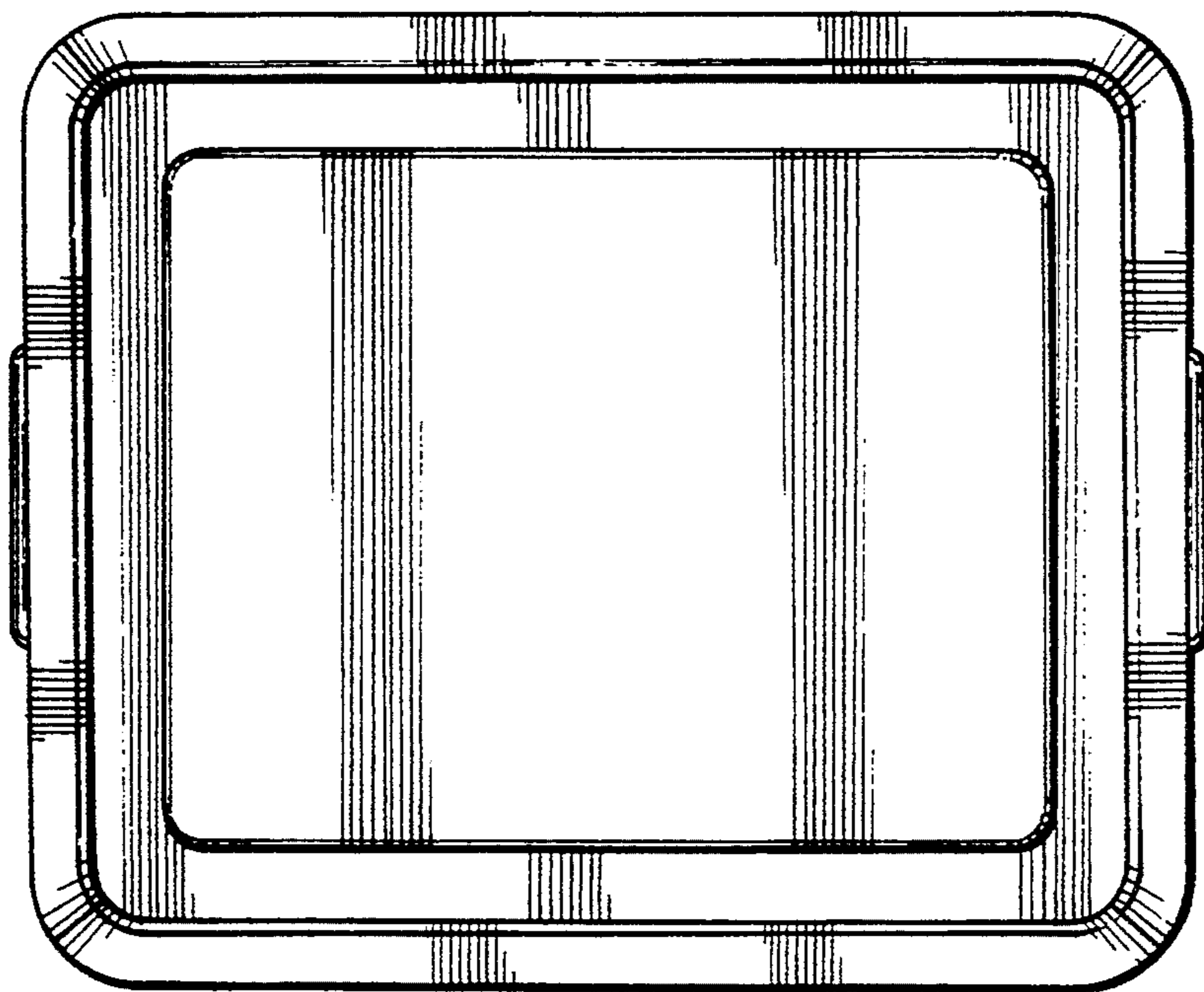


Fig-2

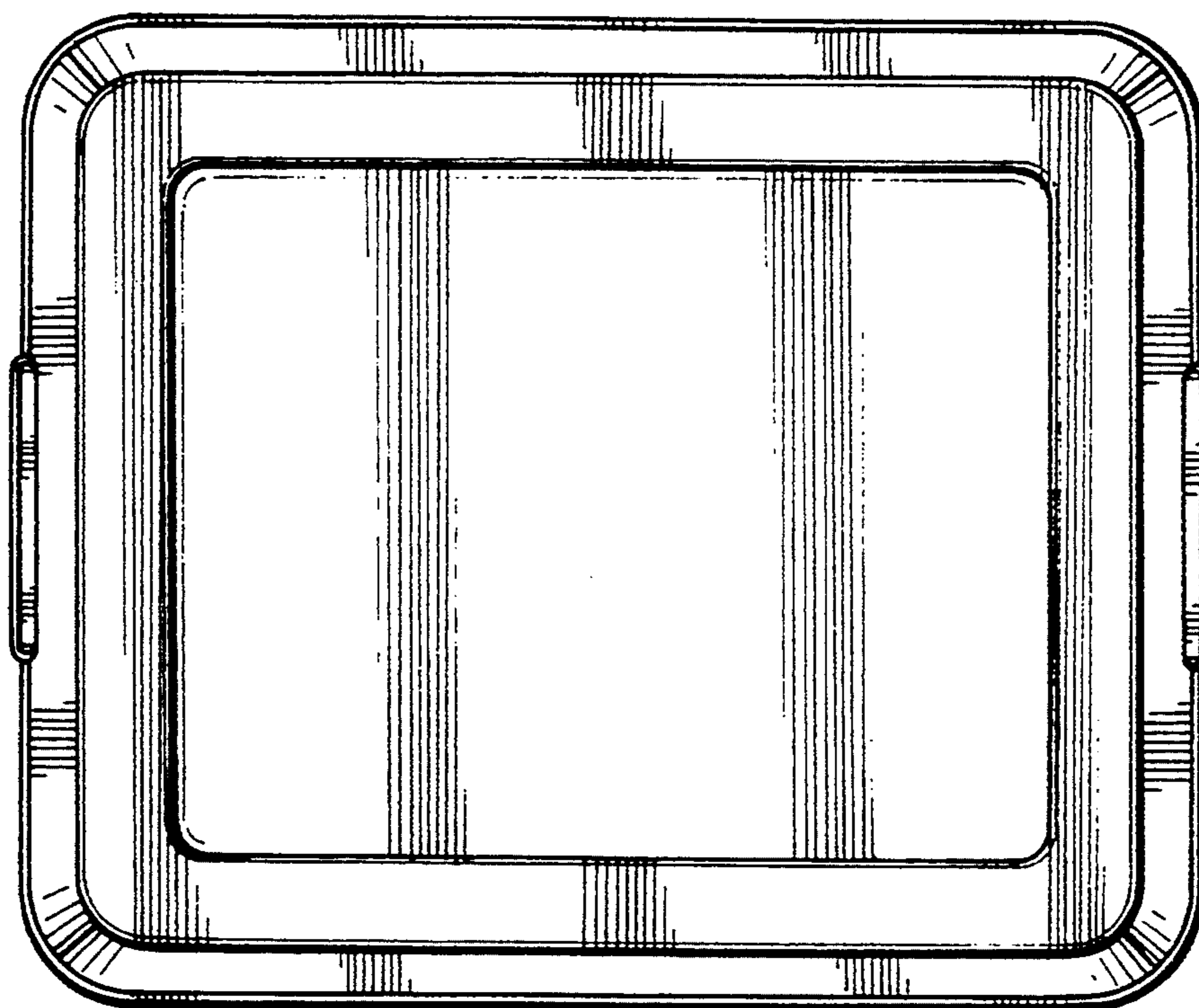


Fig-3

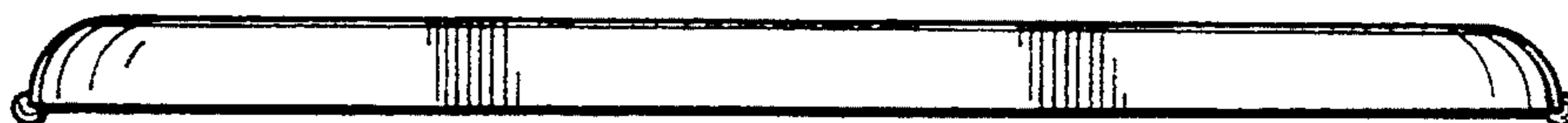


Fig-4

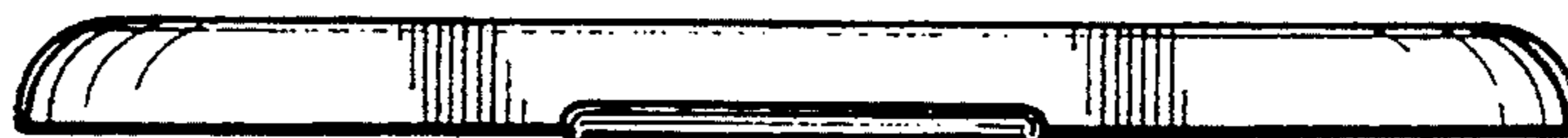


Fig-5