



US00D358327S

United States Patent [19] Tomasello

[11] Patent Number: **Des. 358,327**

[45] Date of Patent: **** May 16, 1995**

[54] **STERITUB CONTAINER**

[75] Inventor: **Anthony J. Tomasello**, Libertyville, Ill.

[73] Assignee: **Stericycle, Inc.**, Deerfield, Ill.

[**] Term: **14 Years**

[21] Appl. No.: **18,693**

[22] Filed: **Feb. 14, 1994**

[52] U.S. Cl. **D9/424; D9/431**

[58] Field of Search **D9/424, 425, 430, 431, D9/423, 337, 414; D3/304, 315, 905; D24/121; 206/508, 503, 518, 216, 363, 370; 220/23.6, 1.5, 675, 676; D7/602, 629**

D. 326,753 6/1992 Debusk .
 D. 351,999 11/1994 Krupa D9/431 X
 3,117,692 1/1964 Carpenter et al. 206/508 X
 3,383,009 5/1968 Weikert 206/508 X
 4,485,924 12/1984 Ripoll et al. 206/508 X
 4,832,200 5/1989 Deaton et al. 206/508 X
 5,372,787 12/1994 Ritter 206/508 X

OTHER PUBLICATIONS

Lewisystems, 1983, p. 23.

Primary Examiner—Prabhakar G. Deshmukh
Attorney, Agent, or Firm—Hamman & Benn

CLAIM

The ornamental design for a steritub container, as shown and described.

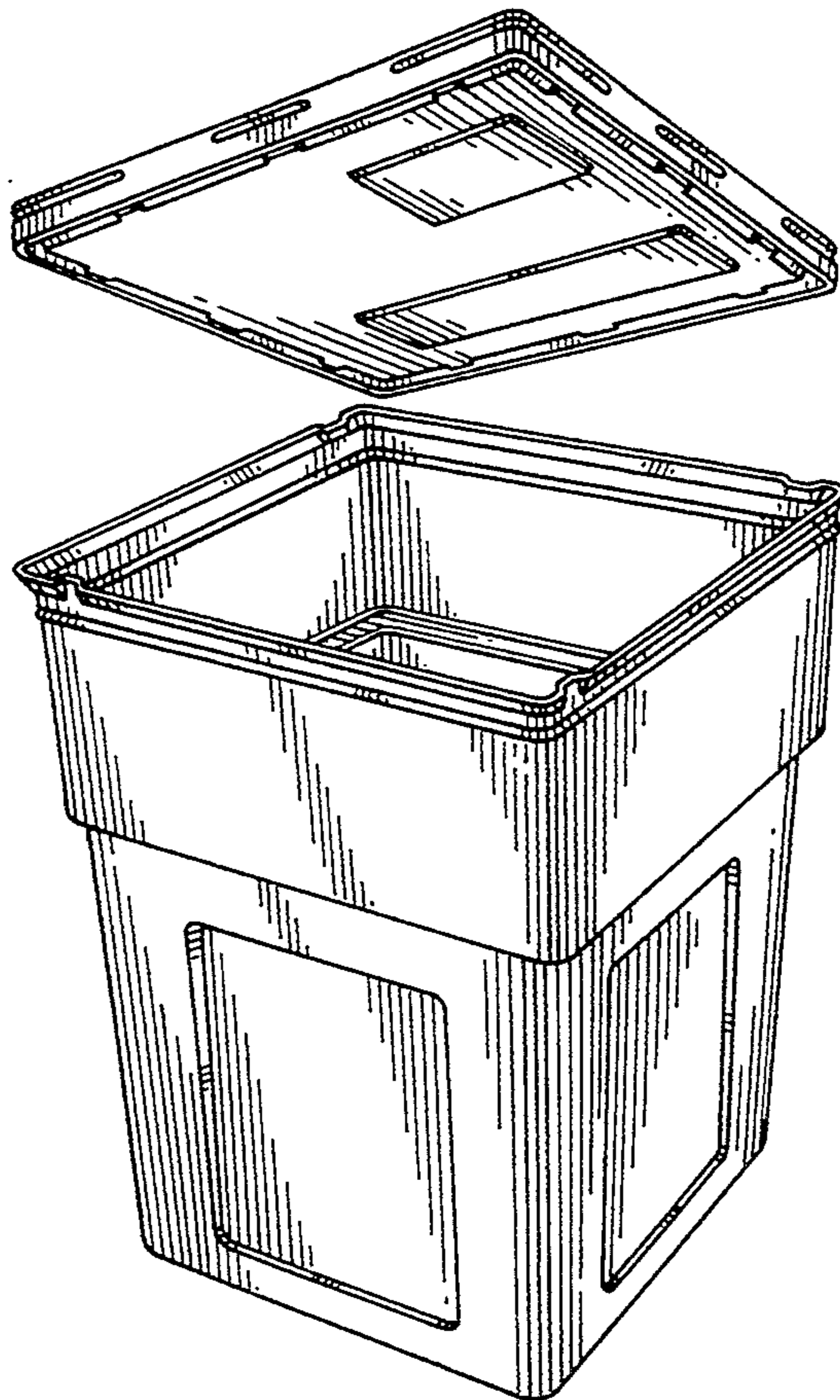
References Cited

U.S. PATENT DOCUMENTS

D. 218,359 8/1970 Marsh .
 D. 236,375 8/1975 Moriconi .
 D. 239,695 4/1976 Fier, Jr. D9/431 X
 D. 248,090 6/1978 Bok D9/424
 D. 264,879 6/1982 Baker .
 D. 287,897 1/1987 Hanifl .
 D. 299,578 1/1989 Wilson .
 D. 302,774 8/1989 Murphy D9/425 X
 D. 304,109 10/1989 Hanifl .

DESCRIPTION

FIG. 1 is a perspective of the steritub container showing the new design;
 FIG. 2 is a perspective view of the steritub container with the cover raised off of the container;
 FIG. 3 is the front elevation view thereof;
 FIG. 4 is the side and rear elevation views thereof;
 FIG. 5 is the top plan view thereof;
 FIG. 6 is the bottom plan view thereof; and,
 FIG. 7 is a perspective view of an alternative embodiment of the steritub container showing the new design.



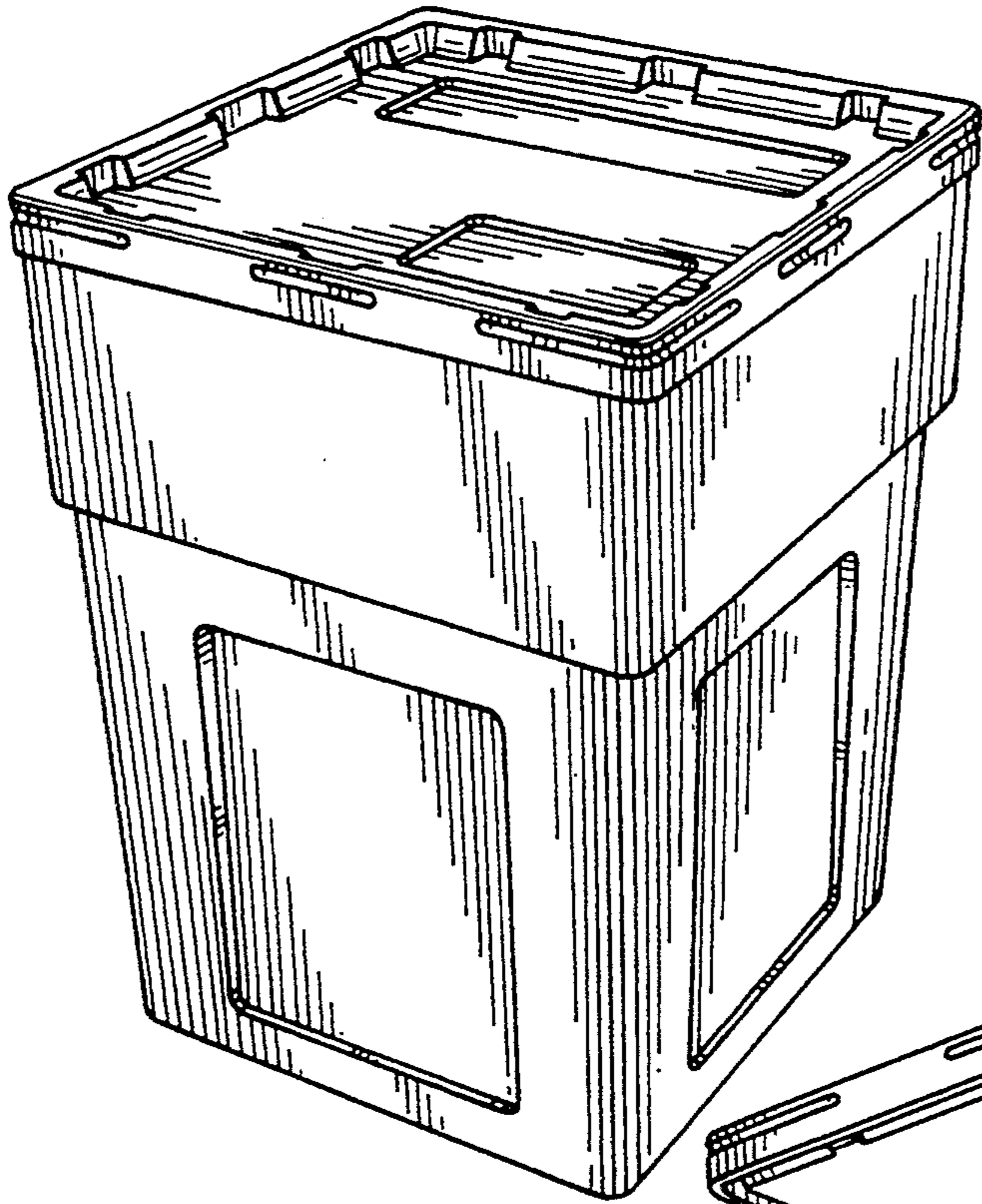


FIG. 1

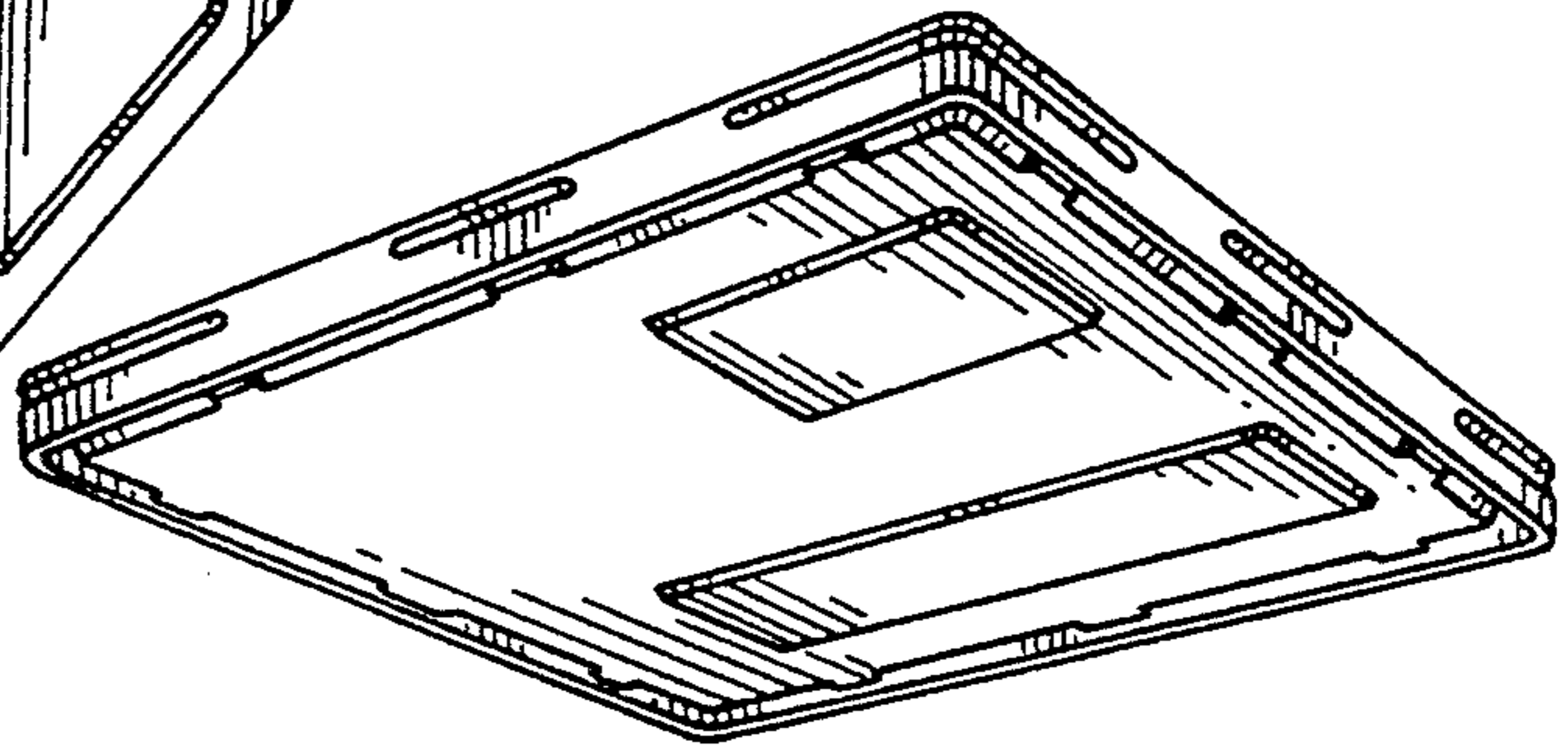
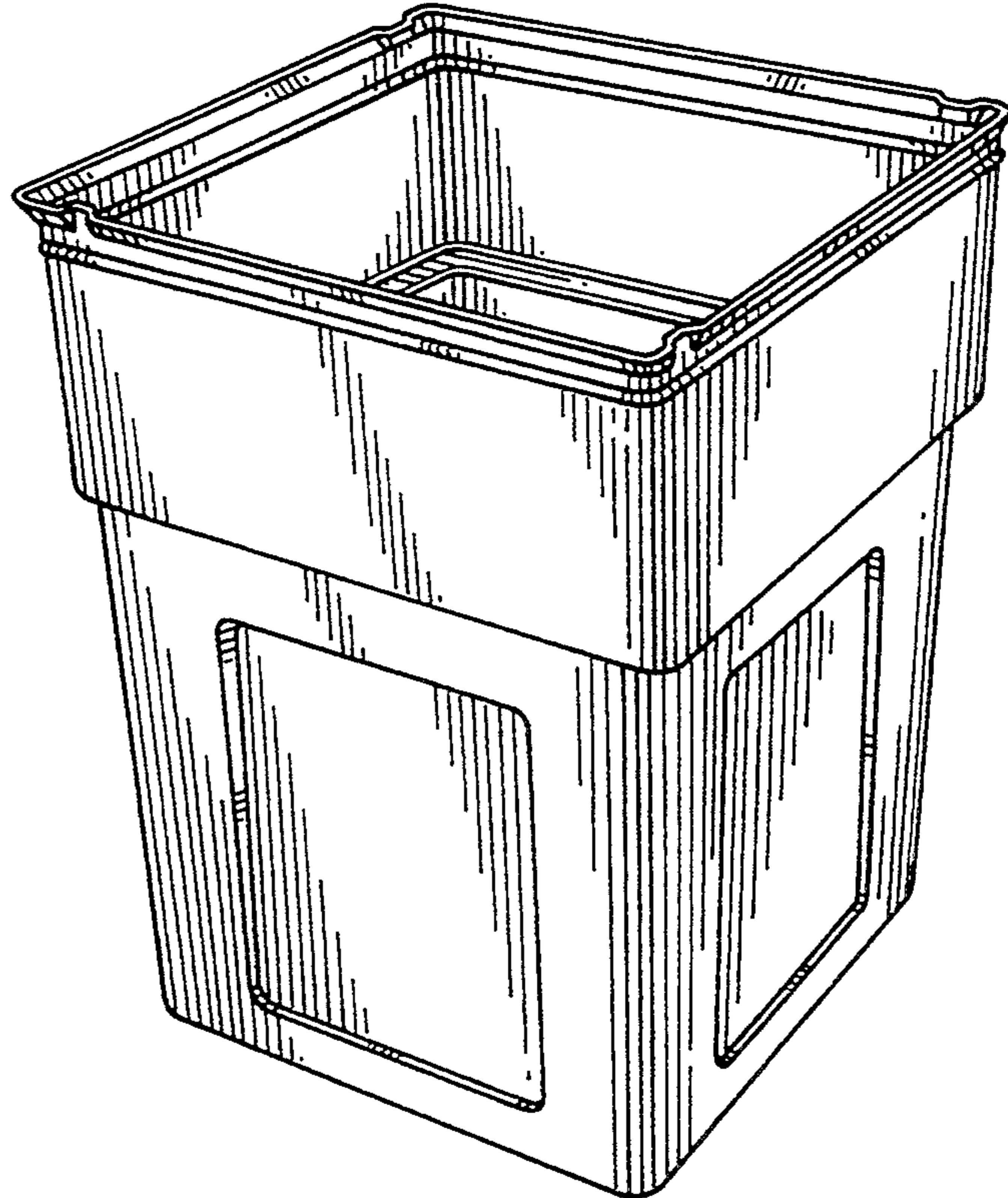


FIG. 2



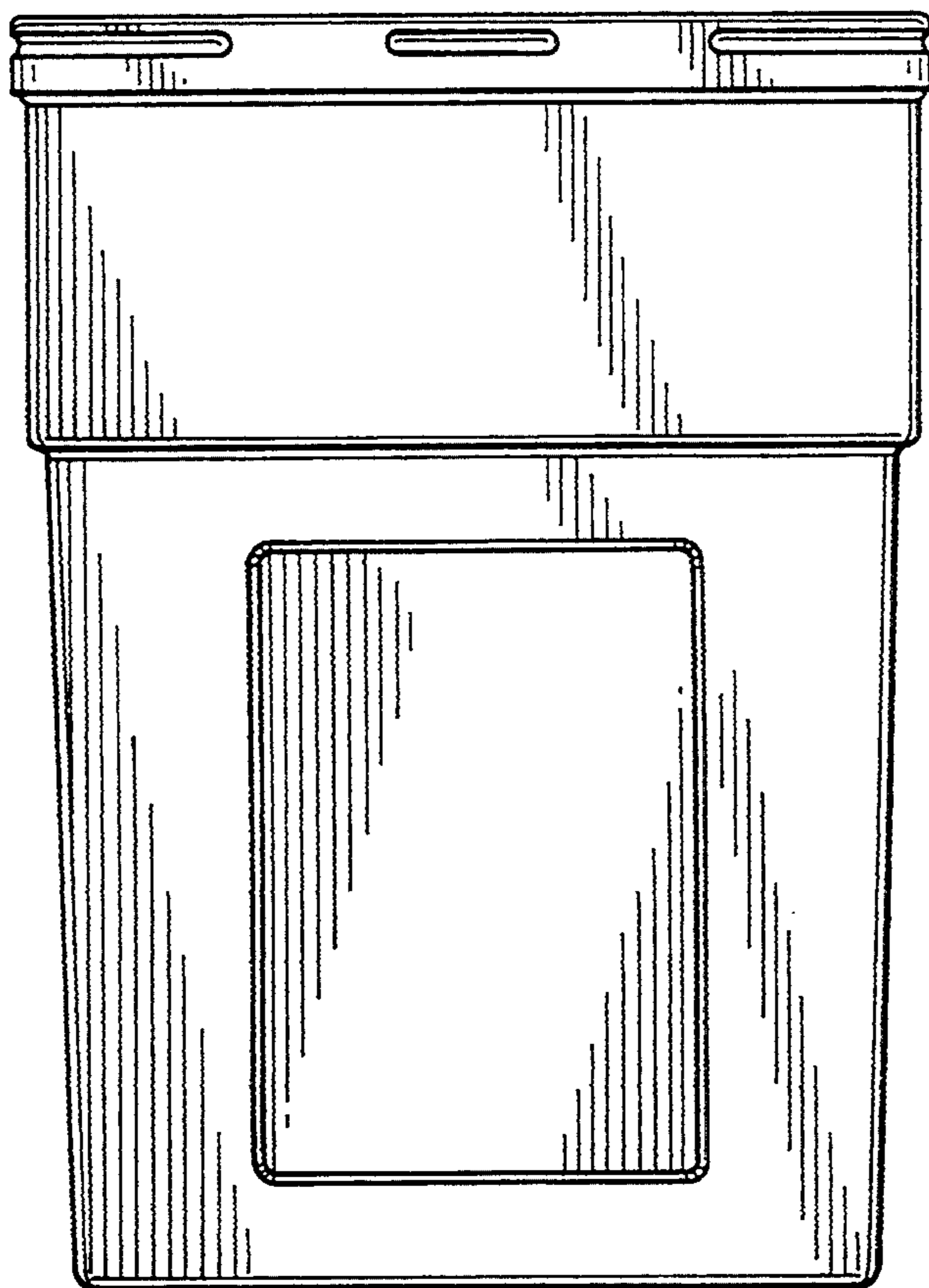


FIG. 3

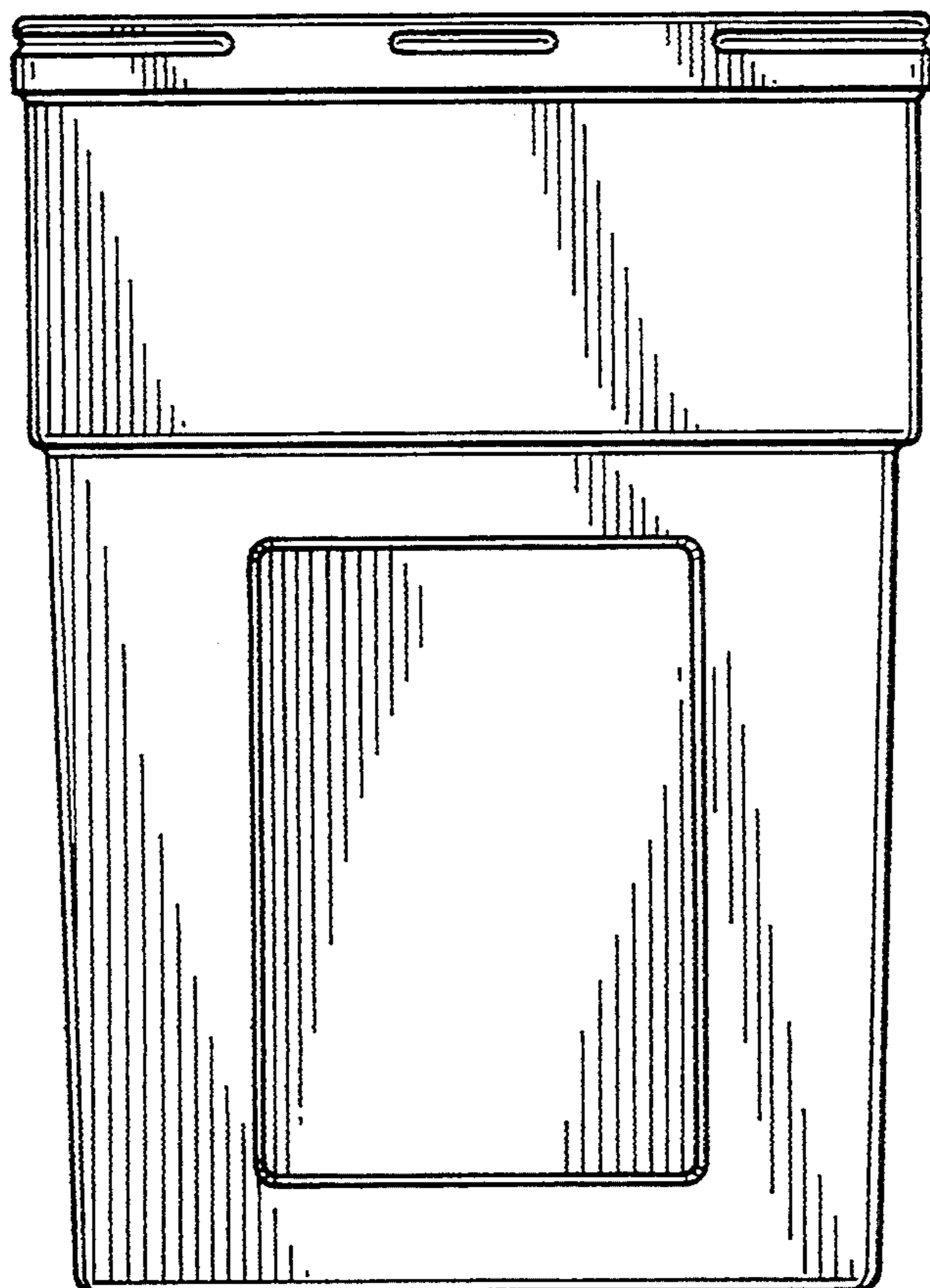


FIG. 4

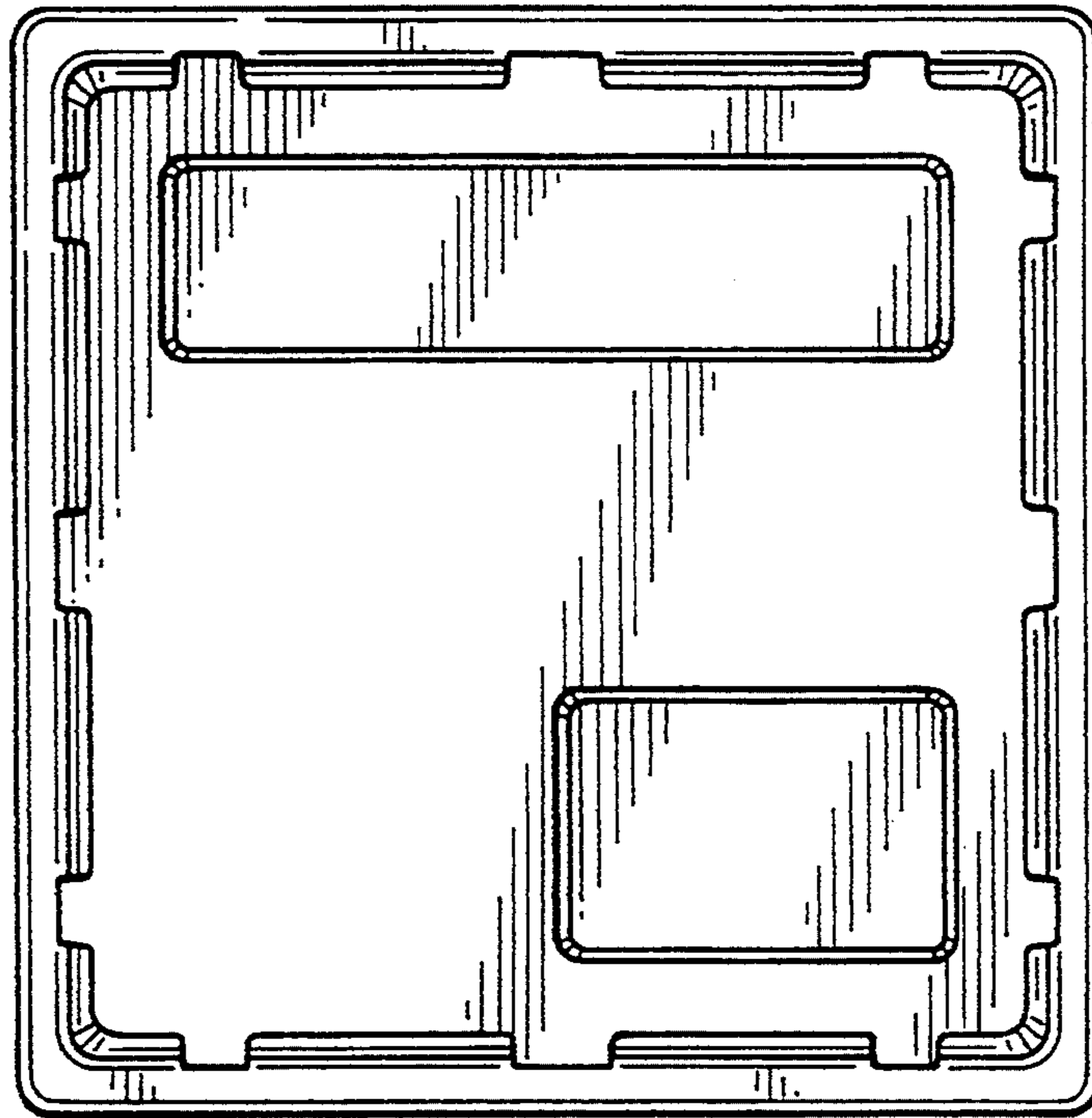


FIG. 5

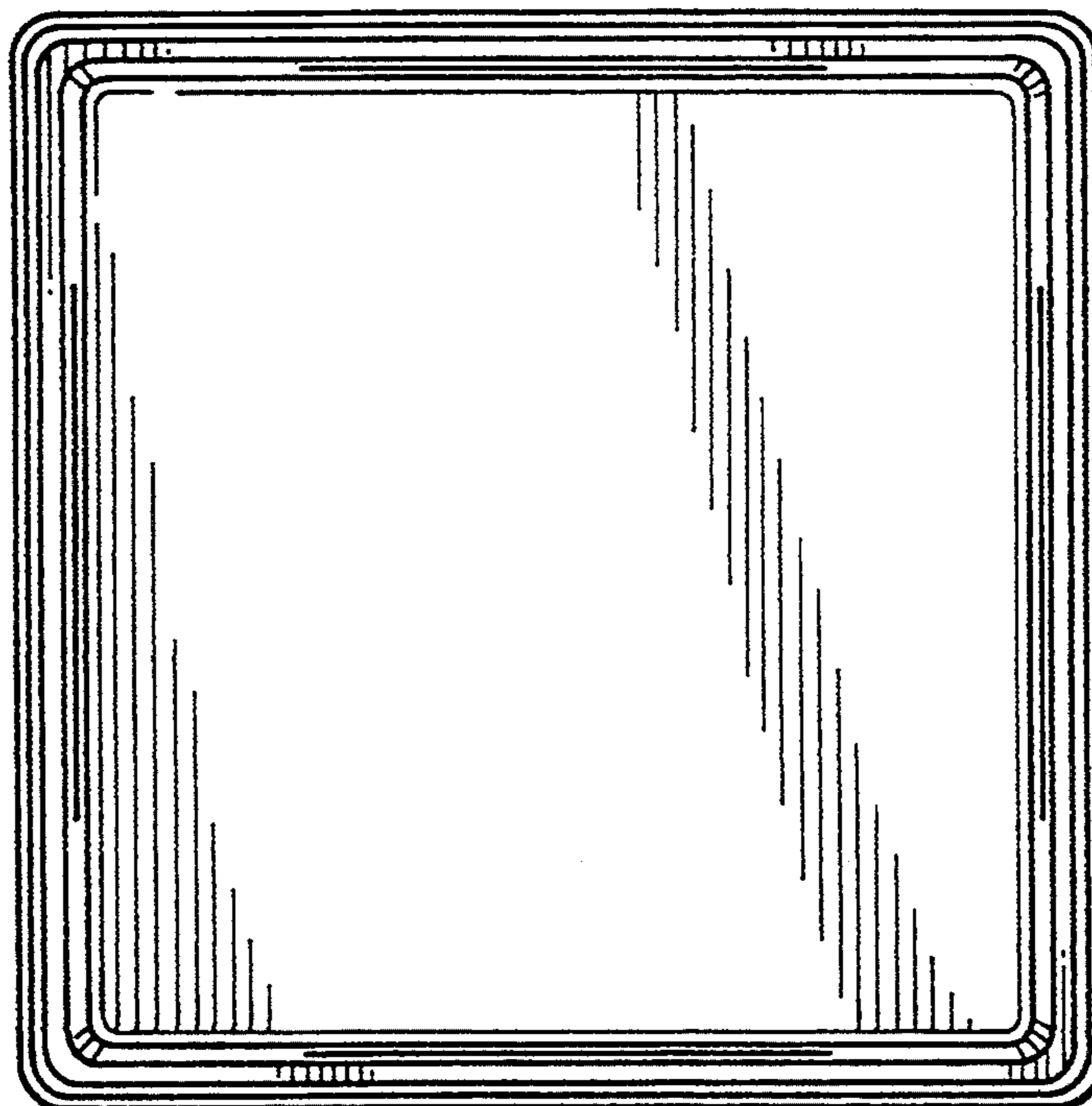


FIG. 6

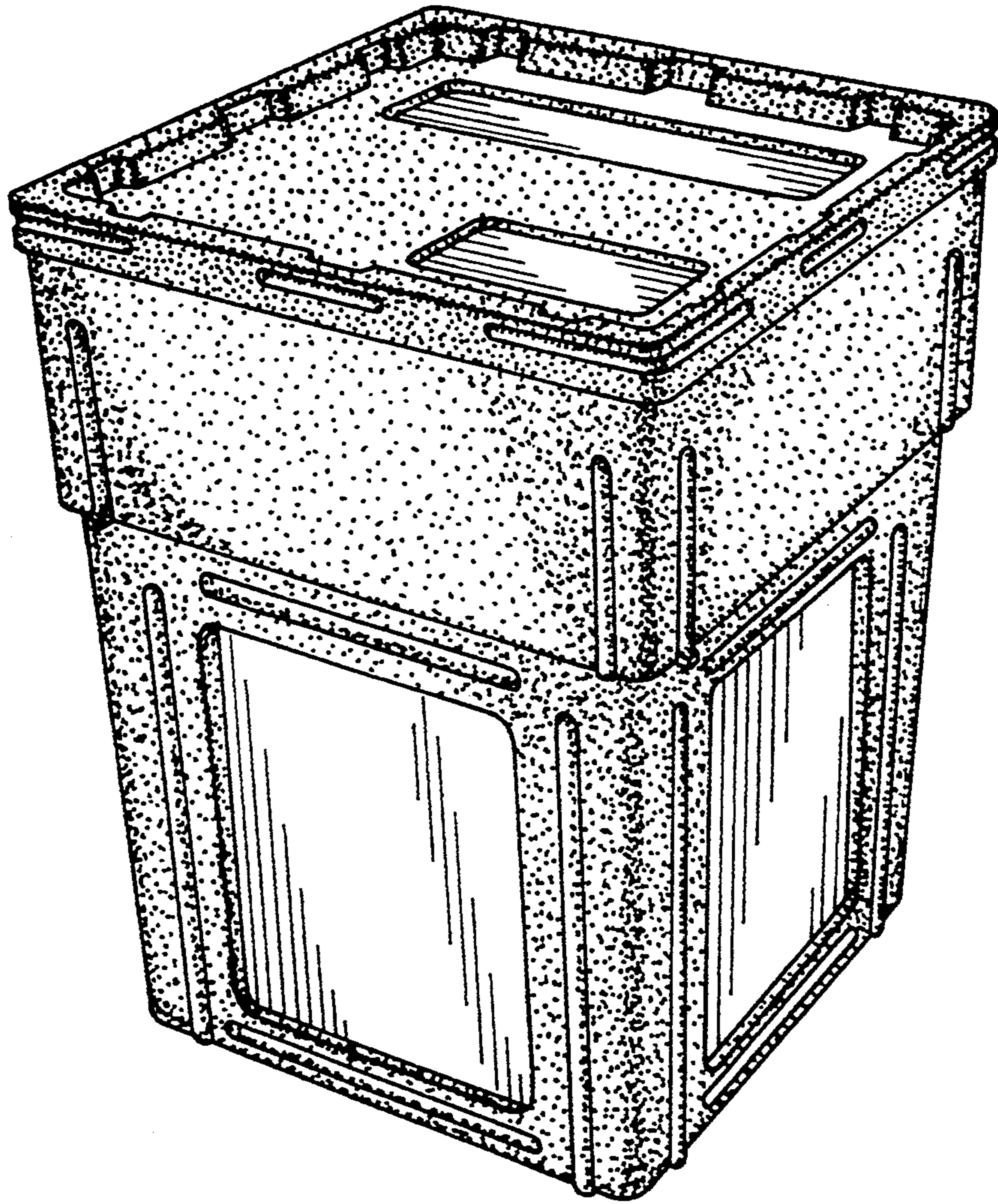


FIG. 7