



US00D358321S

United States Patent [19]

[11] Patent Number: **Des. 358,321**

Tayar

[45] Date of Patent: **** May 16, 1995**

[54] WALL MOUNTED SHELVING UNIT

Attorney, Agent, or Firm—Curtis Morris & Safford

[76] Inventor: **Memduh A. Tayar**, 235 W. 102nd St.,
Apartment 12-S, New York, N.Y.
10025

[57] **CLAIM**

The ornamental design for a wall mounted shelving system, as shown and described.

[**] Term: **14 Years**

DESCRIPTION

[21] Appl. No.: **11,289**

[22] Filed: **Jul. 30, 1993**

[52] U.S. Cl. **D8/381**

[58] Field of Search **D8/380-381;**
248/235, 243, 245

FIG. 1 is a side perspective view of one embodiment of a wall mounted shelving unit showing my new design with the vertical support member partly broken away to indicate indeterminate length;

FIG. 2 is a fragmented front elevational view thereof; FIG. 3 is a fragmented side elevational view thereof with the opposite side being a mirror image;

FIG. 4 is a top plan view thereof;

FIG. 5 is a fragmented rear elevational view thereof; and,

FIG. 6 is a bottom plan view thereof.

The undisclosed bottom portion of the vertical support member has an appearance similar to that shown in FIG. 1. The broken line showing of a partial shelf is for illustrative purposes only and forms no part of the claimed design.

[56] **References Cited**

U.S. PATENT DOCUMENTS

D. 286,742 11/1986 Gohrig D8/381
4,934,642 6/1990 Baron et al. 248/243 X

FOREIGN PATENT DOCUMENTS

2053666 2/1981 United Kingdom 248/235

Primary Examiner—James M. Gandy

Assistant Examiner—H. Baynham

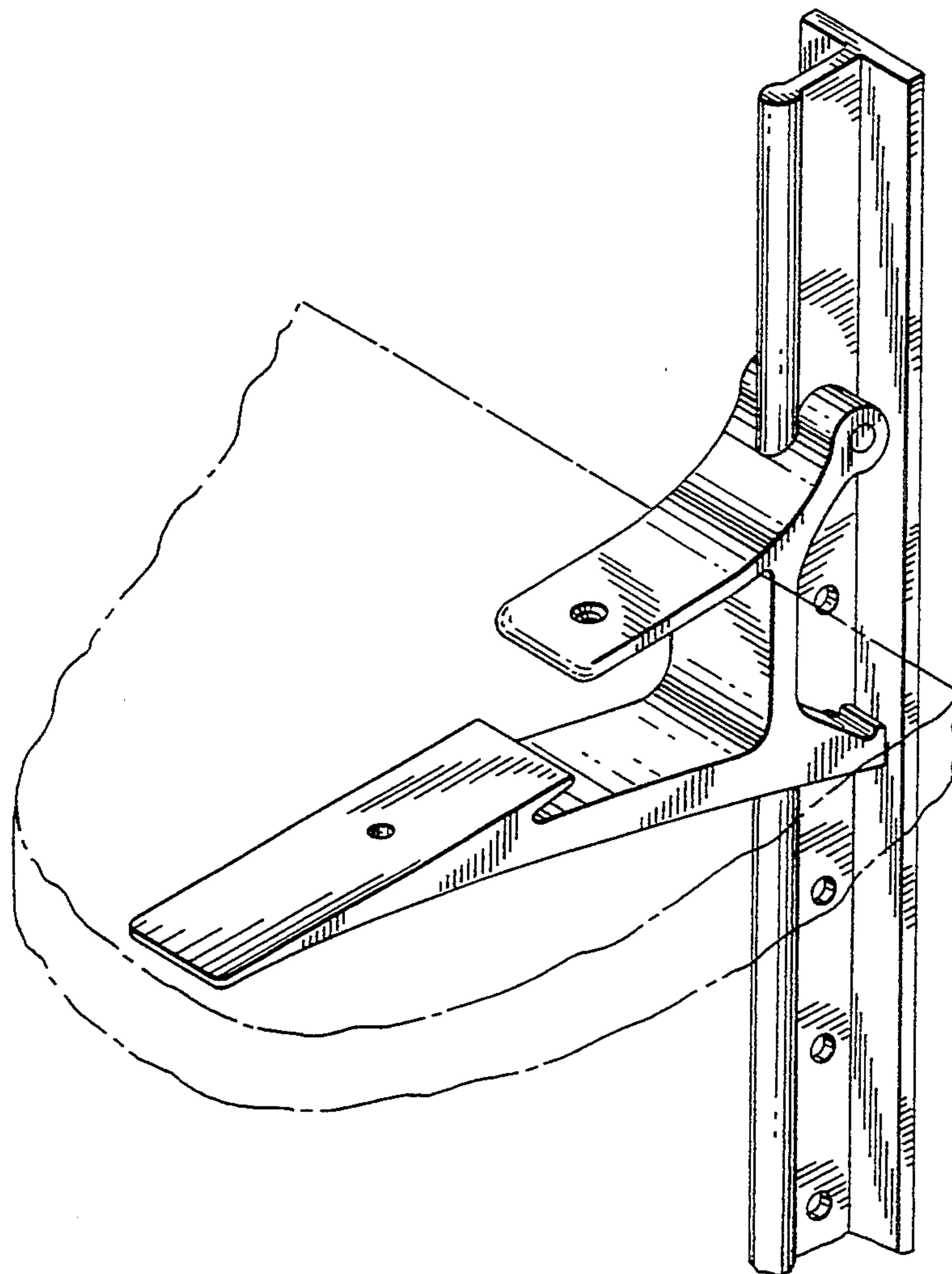
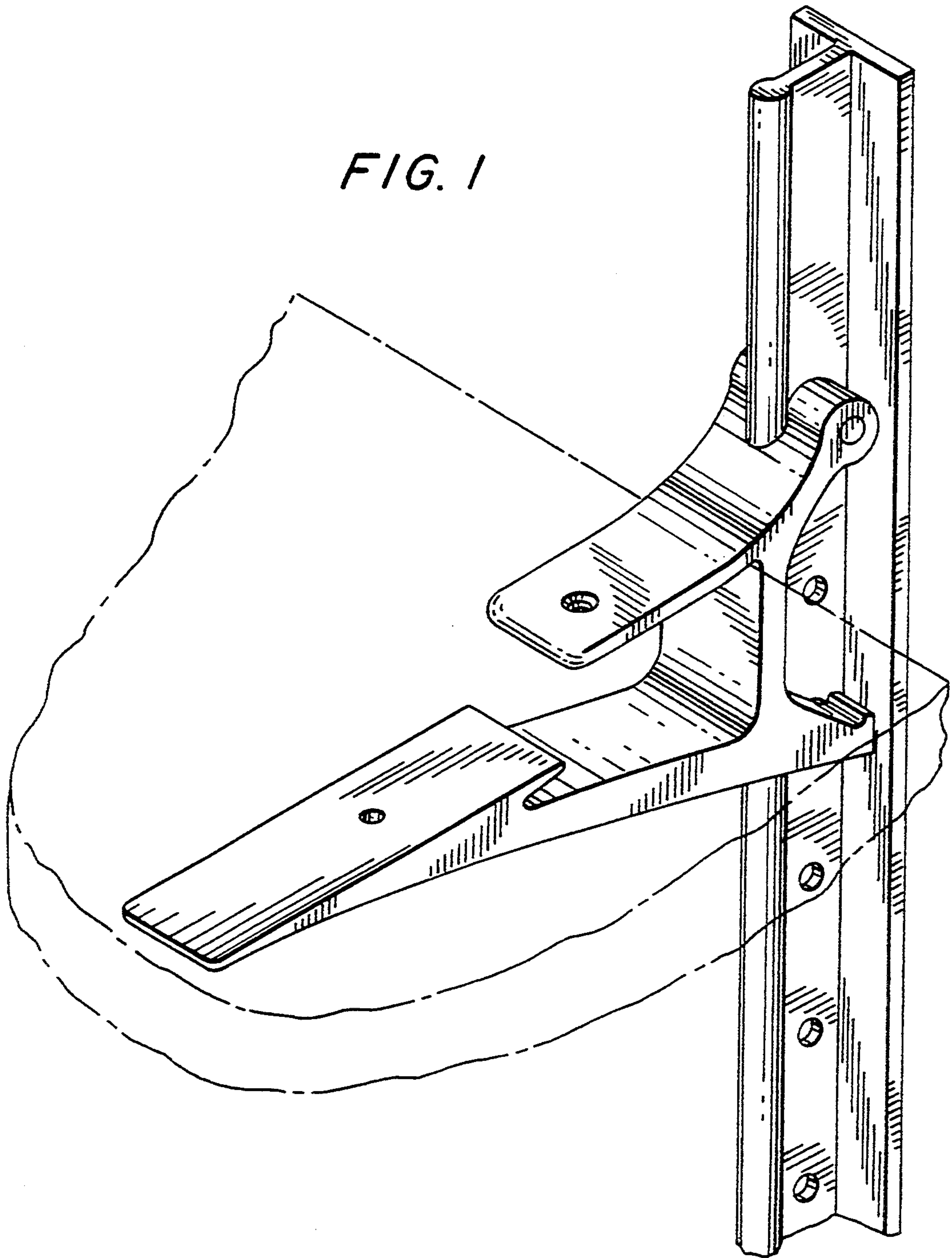


FIG. 1



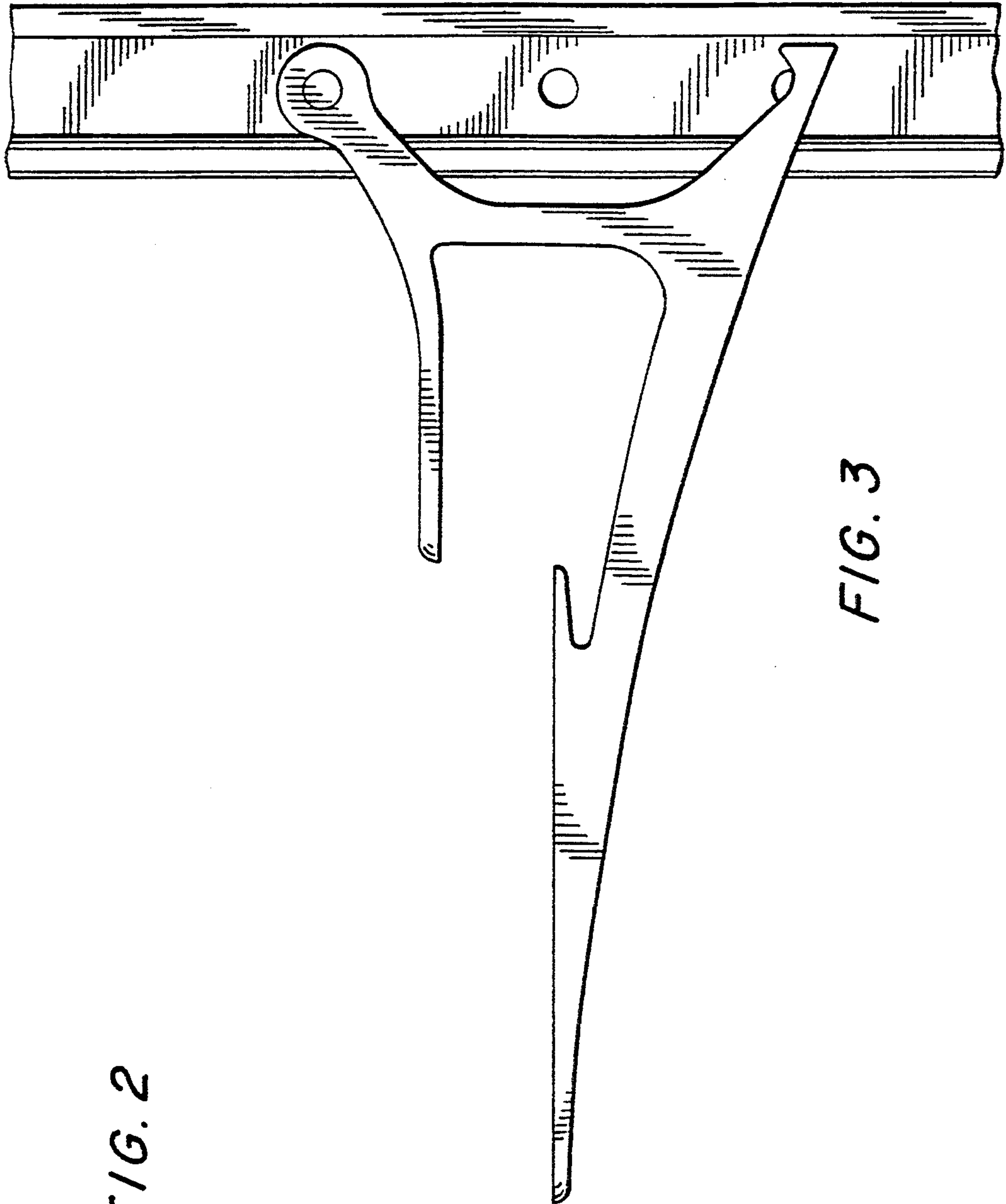
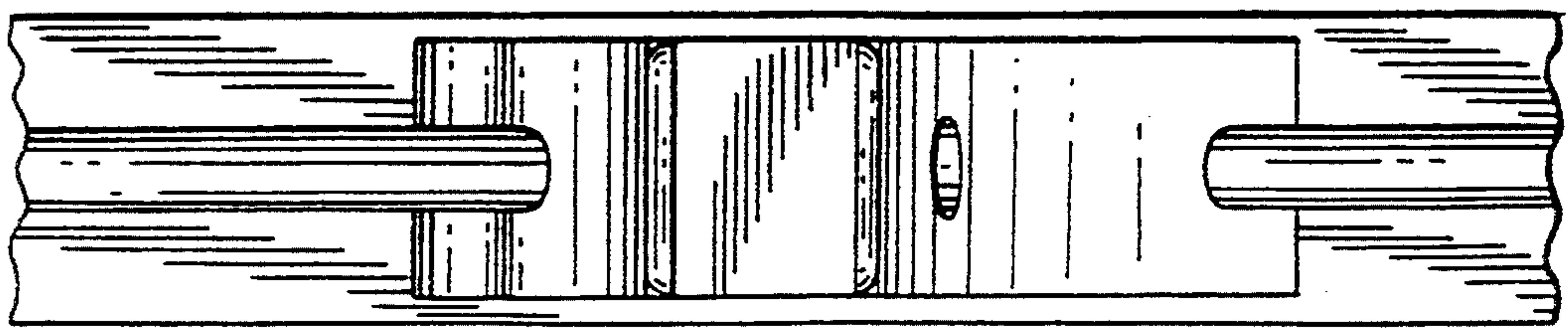


FIG. 2

FIG. 3



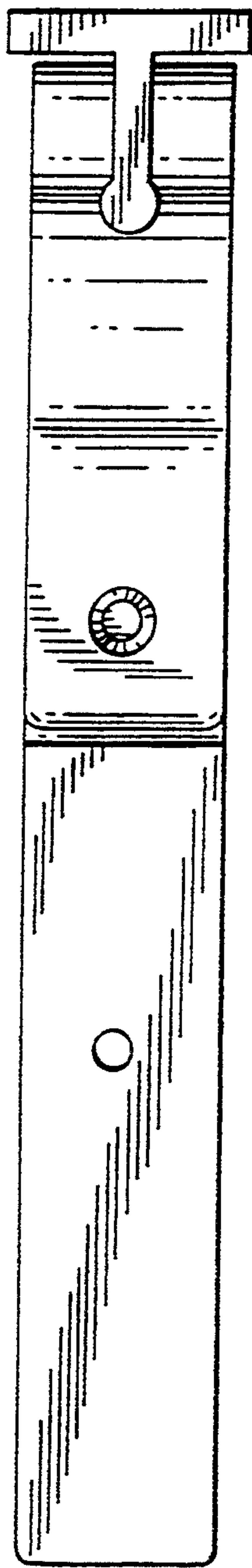


FIG. 4

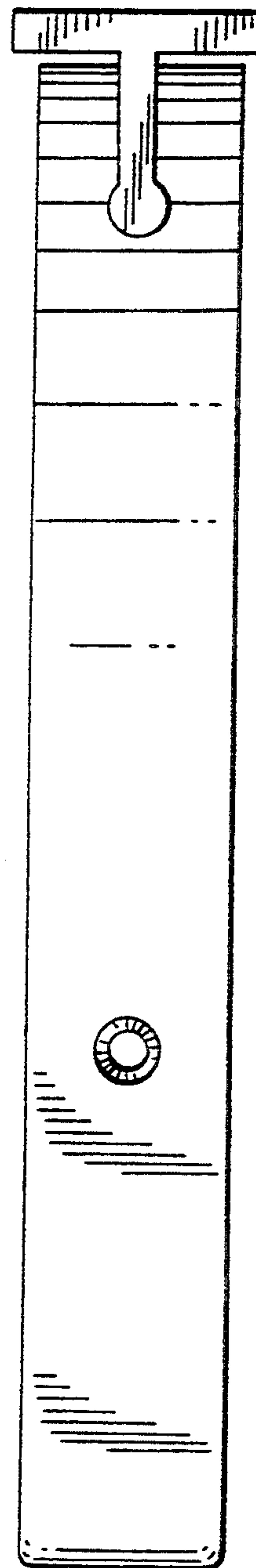


FIG. 6

FIG. 5

