



US00D358314S

United States Patent [19]

[11] Patent Number: **Des. 358,314**

Izumisawa

[45] Date of Patent: **** May 16, 1995**

[54] **MINIATURE SANDER**

[75] Inventor: **Nobuyuki Izumisawa**, Tokyo, Japan

[73] Assignee: **Shinano, Inc.**, Saitama, Japan

[**] Term: **14 Years**

[21] Appl. No.: **19,291**

[22] Filed: **Feb. 25, 1994**

[52] U.S. Cl. **D8/62; D8/68**

[58] Field of Search **D8/61, 62, 68; 52/170, 52/170 R, 170 T, 170 TL, 170 PT**

[56] **References Cited**

U.S. PATENT DOCUMENTS

D. 204,772	5/1966	Brown	D8/62
D. 254,771	4/1980	Taylor et al.	D8/62
D. 269,846	7/1983	Izumisawa	D8/62
D. 289,136	4/1987	Doman	D8/62
D. 330,151	10/1992	Fisher	D8/62

OTHER PUBLICATIONS

Allen Air Products Inc., "Viking Air Tools; Product Catalog", pp. 2 and 3. Prior to Feb. 25, 1993.

Astro Pneumatic Tool Company, "Astro Power", pp. 6, 13, 14, 16, 20, 21, and 27. Prior to Feb. 25, 1993.

Buffalo Tool, "Guardian Power; Tools and Accessories Catalog", 1992, pp. 8 and 9.

Chicago Pneumatic Tool Company, "Chicago Pneumatic; Automotive Air Tools", pp. 2, 32 and 44, published Mar., 1990.

Dynabrade, Inc., "Automotive Finishing Systems Catalog", p. 10, published 1992.

Florida Pneumatic Manufacturing Company, "Air Tools", pp. 5-7, 10, and 17. Prior to Feb. 25, 1993.

Ingersoll Rand Co., "Automotive Power Tools", pp. 12, 13, 35, 37 and 42, published Jan. 1992.

Mac Tools, Inc., "Mac Tools Catalog", pp. 163, 168, and 175. Prior to Feb. 25, 1993.

Florida Pneumatic Manufacturing Company, "Raider Air Tools", p. 4. Prior to Feb. 25, 1993.

Sioux Tolls, Inc., "Automotive Professional Tools and Equipment", pp. 11 and 33. Prior to Feb. 25, 1993.

Snap-on Tools Corporation, "Snap-on Worldwide", pp. 186 and 193. Prior to Feb. 25, 1993.

Sunex International, "Sunex Automotive Tools & Equipment", pp. 13 and 17, published Jan. 1989.

Primary Examiner—Alan F. Douglas

Assistant Examiner—Jeffrey H. Musgrove

Attorney, Agent, or Firm—Greer, Burns & Crain, Ltd.

[57] **CLAIM**

The ornamental design for a miniature sander, as shown and described.

DESCRIPTION

FIG. 1 is a perspective view;

FIG. 2 is a left side view thereof;

FIG. 3 is a front view;

FIG. 4 is a rear view;

FIG. 5 is a top view; and,

FIG. 6 is a bottom view.

The right side view is the same as a mirror image of the left side view shown in FIG. 2. The broken lines showing the sanding tool are for illustrative purposes only and form no part of the claimed design.

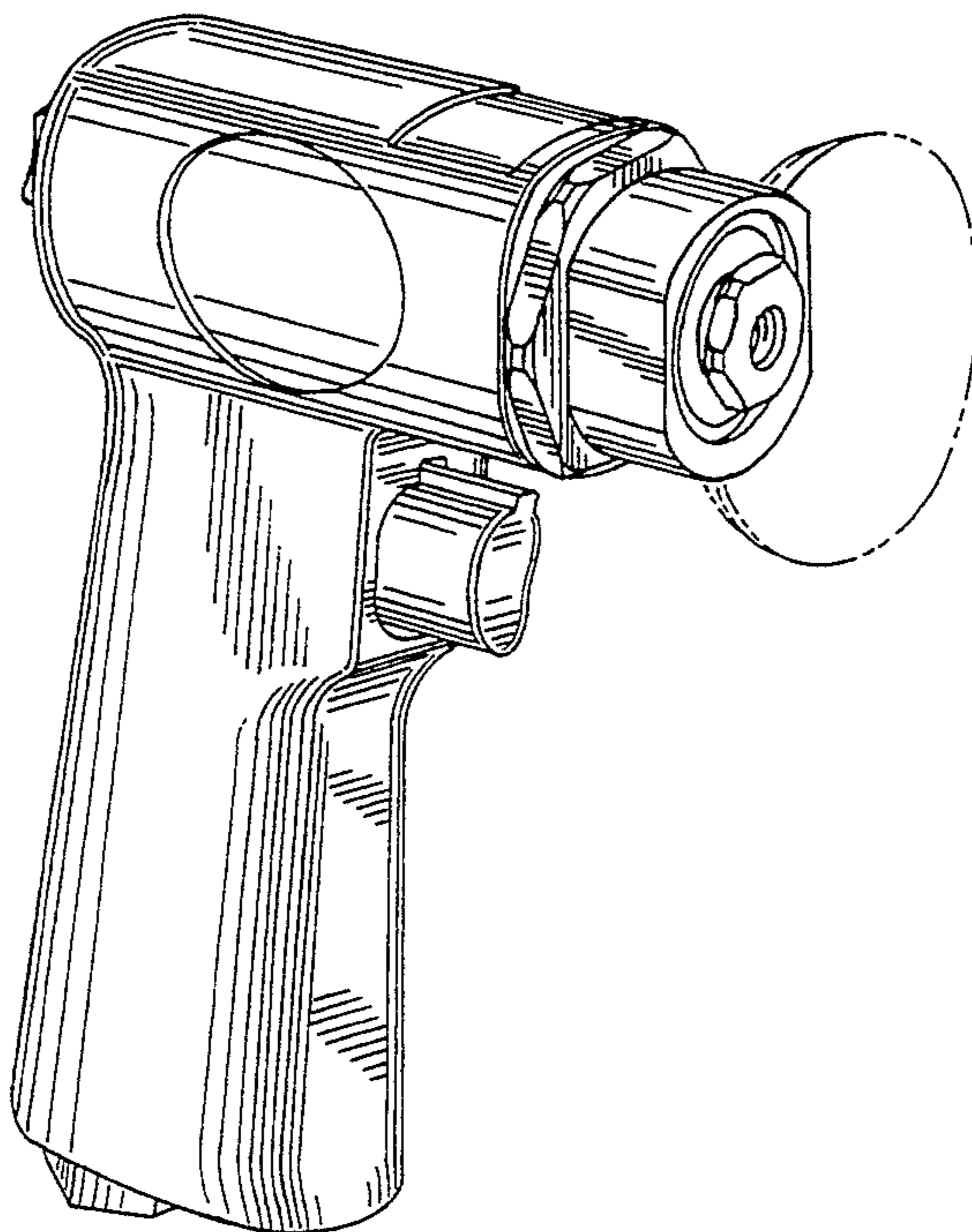


FIG. 2

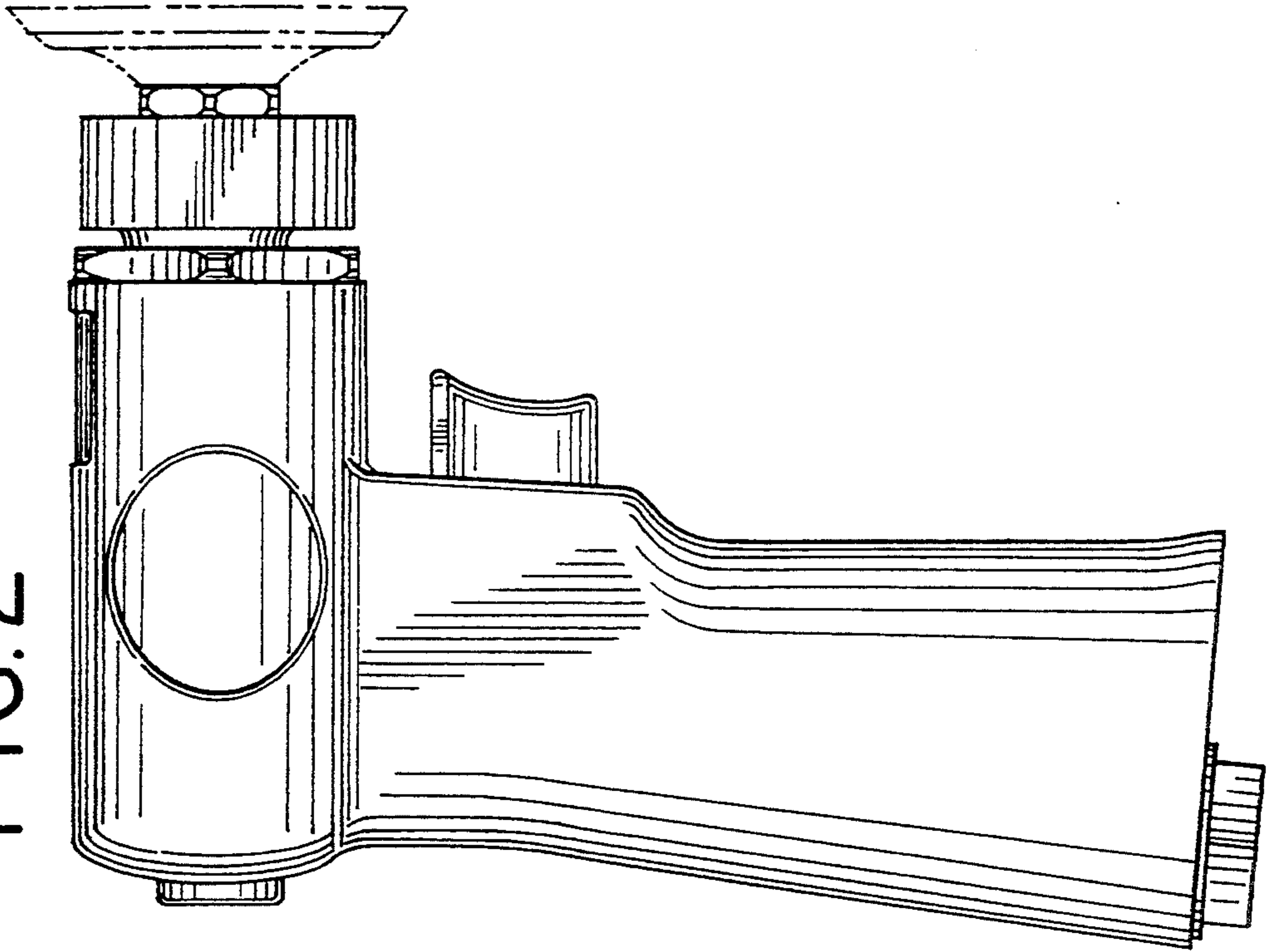


FIG. 1

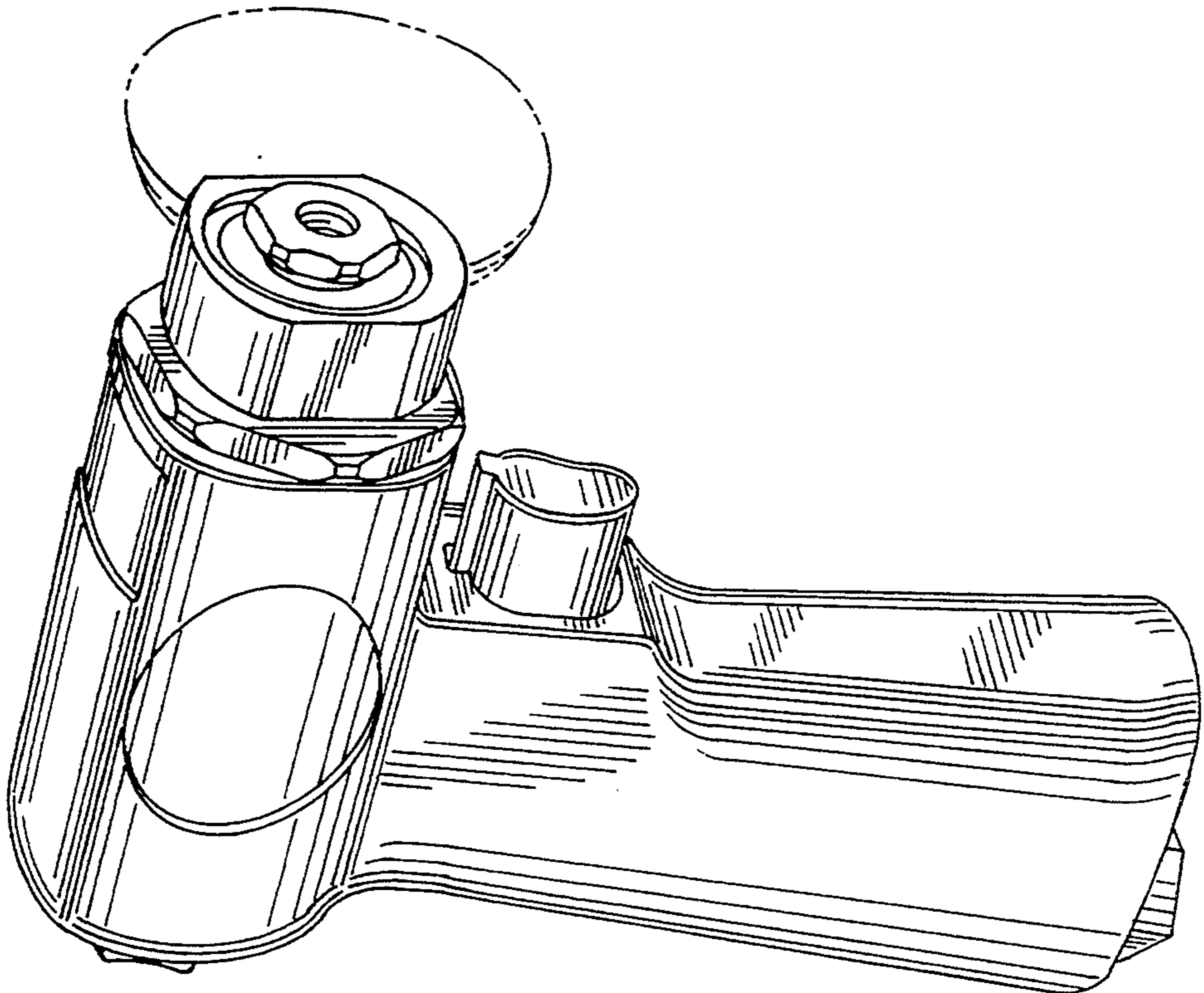


FIG. 3

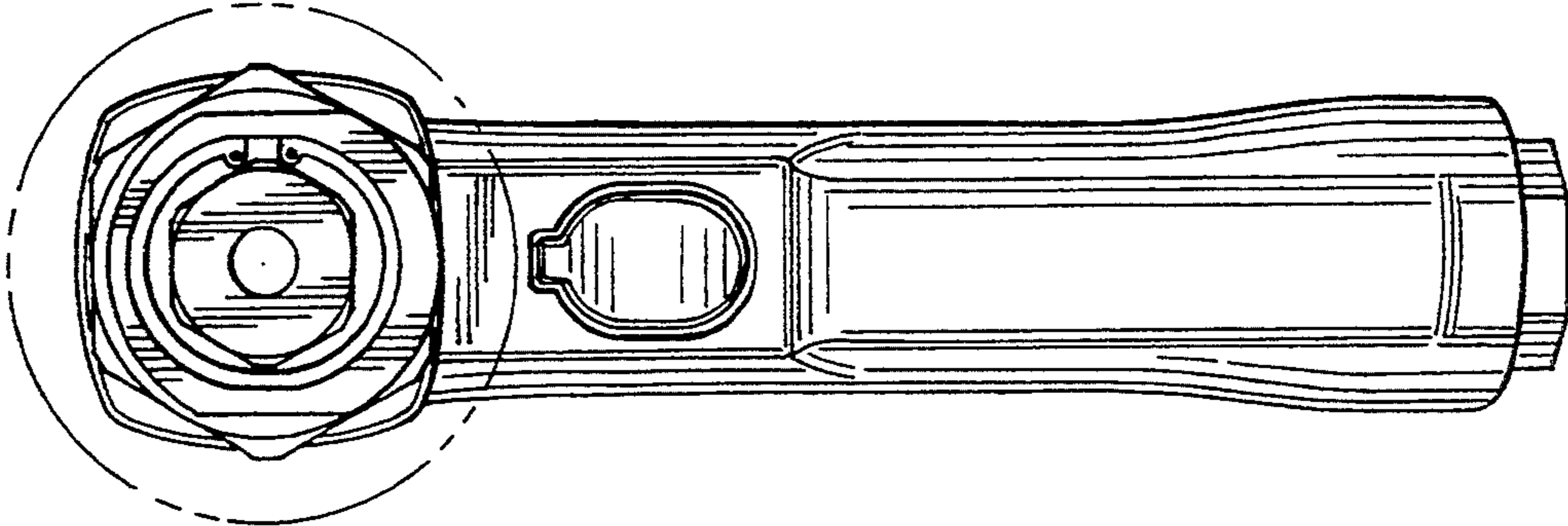


FIG. 4

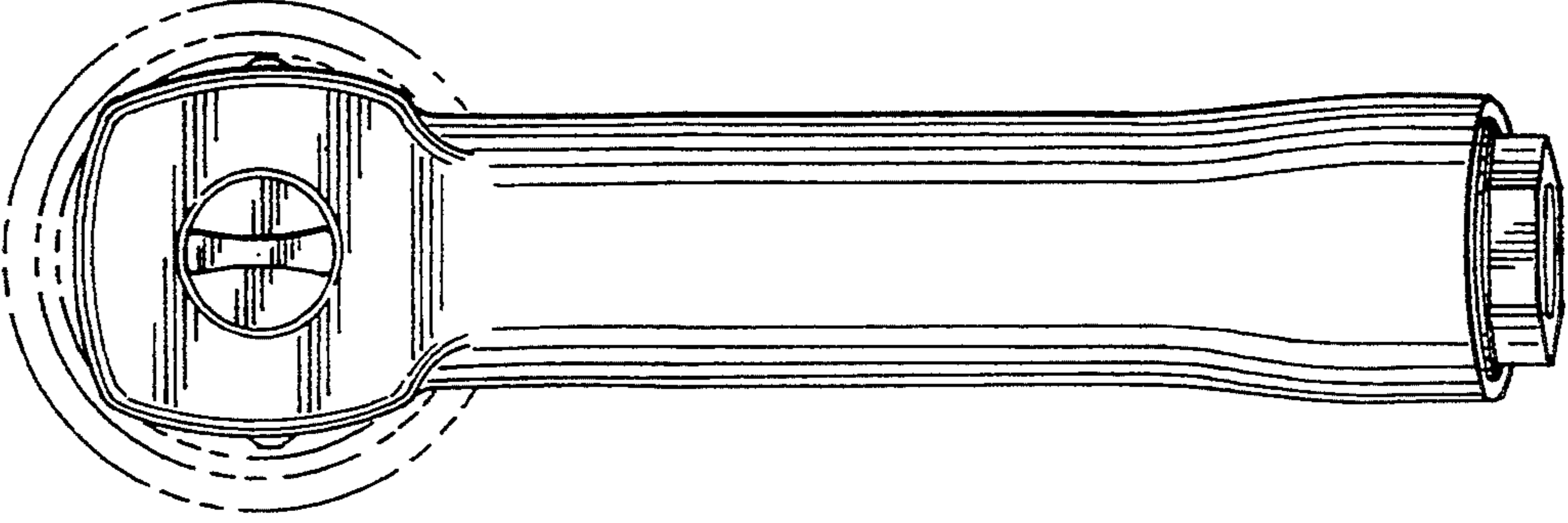


FIG. 5

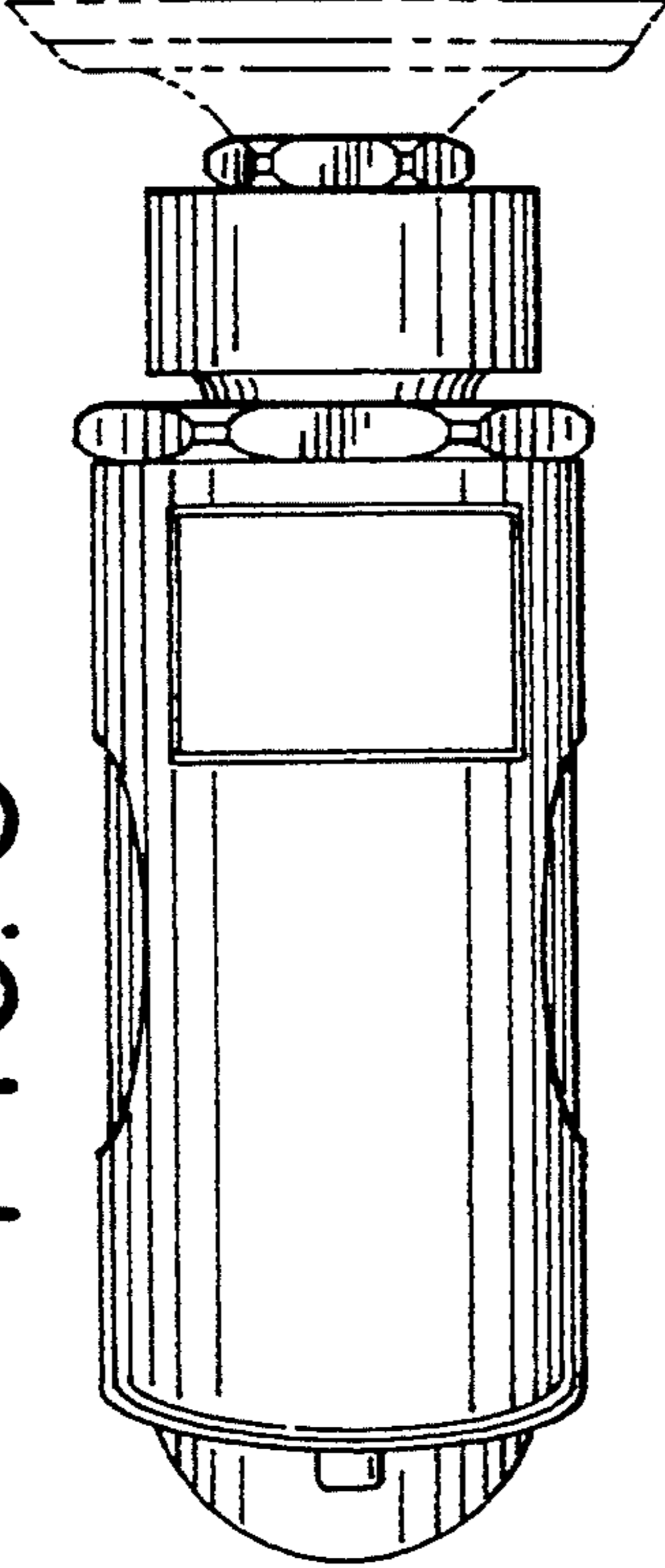


FIG. 6

