



US00D358310S

United States Patent [19]
Nygards

[11] **Patent Number: Des. 358,310**
[45] **Date of Patent: ** May 16, 1995**

[54] **FLEXIBLE SOCKET WRENCH EXTENSION**

[76] **Inventor: Nils Nygards, 7435 Highway 65
N.E., Minneapolis, Minn. 55432**

[**] **Term: 14 Years**

[21] **Appl. No.: 12,934**

[22] **Filed: Sep. 14, 1993**

[52] **U.S. Cl. D8/29**

[58] **Field of Search D8/14, 17, 21, 29, 28;
81/52, 64, 180.1, 488, 177.6, 124.6**

[56] **References Cited**

U.S. PATENT DOCUMENTS

D. 318,997 8/1991 Baker D8/29

FOREIGN PATENT DOCUMENTS

0516506 4/1921 France 81/177.6

0872798 6/1942 France 81/177.6
1010858 6/1952 France 81/177.6
1043735 11/1953 France 81/177.6
0255182 1/1949 Switzerland 81/177.6

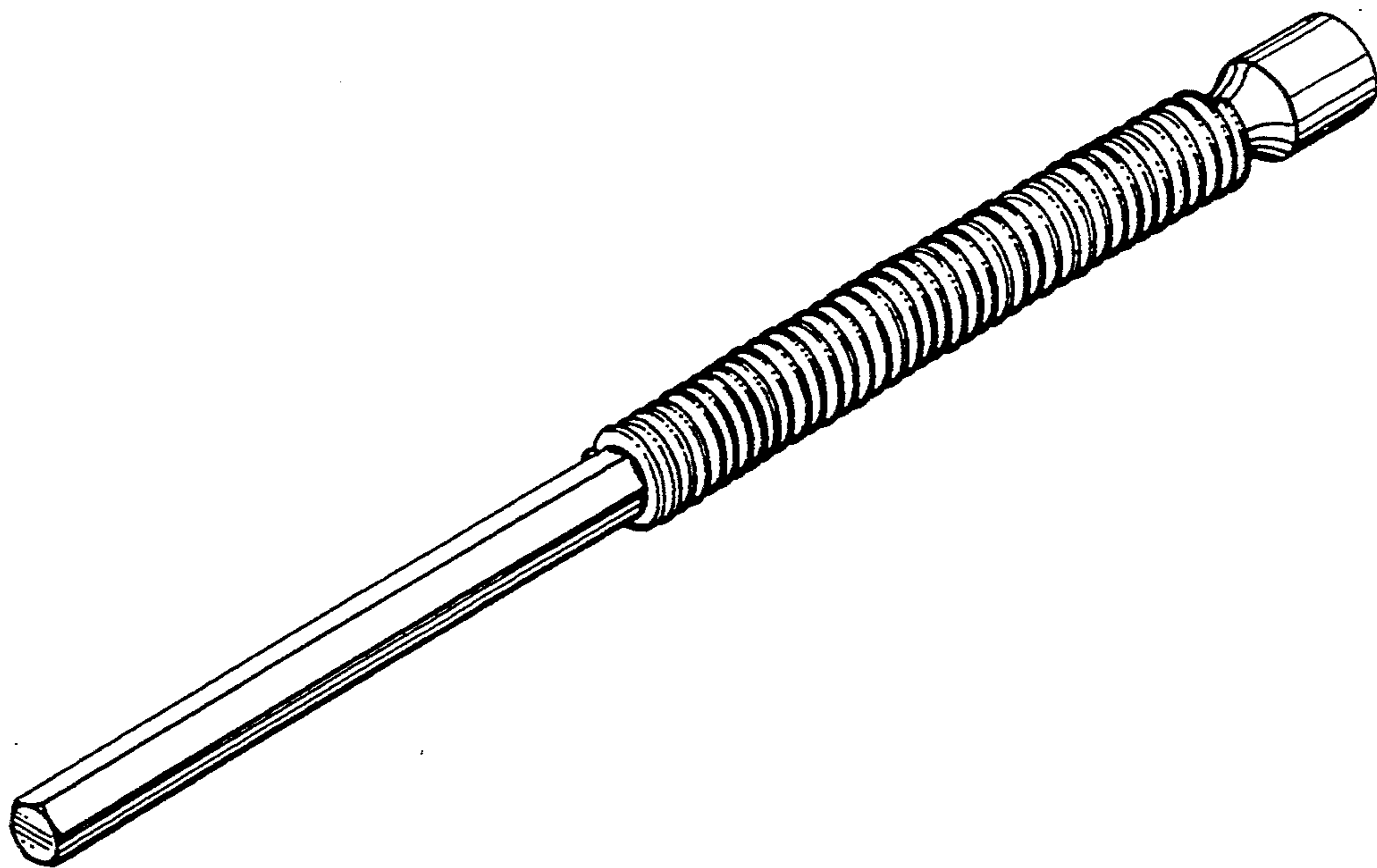
Primary Examiner—Terry A. Wallace
Assistant Examiner—Richelle Shelton
Attorney, Agent, or Firm—Faegre & Benson

[57] **CLAIM**

The ornamental design for a flexible socket wrench extension, as shown and described.

DESCRIPTION

FIG. 1 is a perspective view of the flexible socket wrench extension showing my new design;
FIG. 2 is a side elevational view thereof, the opposite side being a mirror image thereof;
FIG. 3 is a front elevational view thereof; and,
FIG. 4 is a rear elevational view thereof.



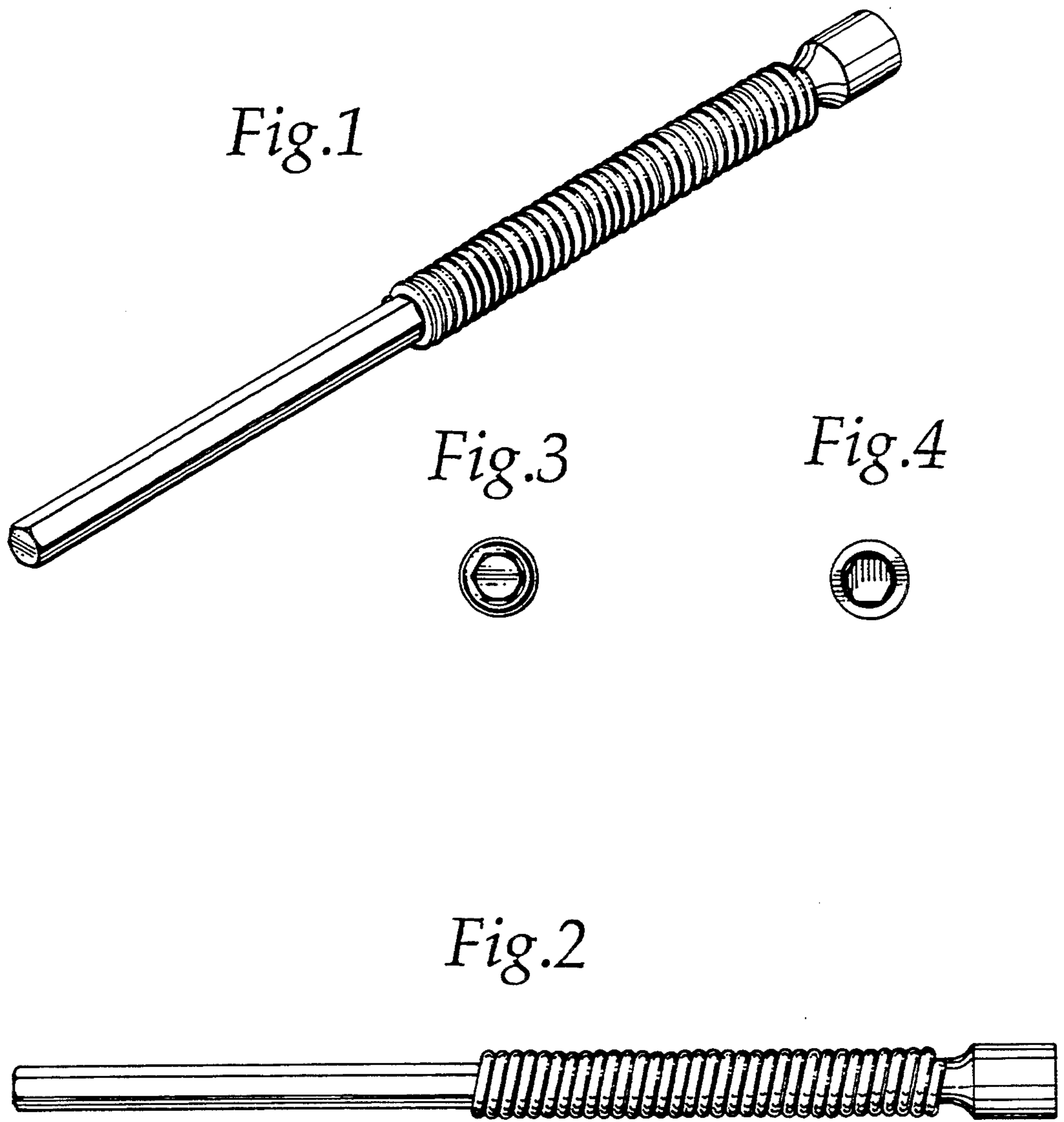


Fig.1

Fig.3

Fig.4

Fig.2