



US00D358308S

United States Patent [19]
Griffin

[11] **Patent Number: Des. 358,308**

[45] **Date of Patent: ** May 16, 1995**

[54] **POWER HEAD FOR TRIMMER OR EDGER**

5,175,932 1/1993 Lange et al. 30/276

[75] Inventor: **John Griffin**, Phoenix, Ariz.

Primary Examiner—Prabhakar G. Deshmukh

[73] Assignee: **McCulloch Corporation**, Tucson, Ariz.

Assistant Examiner—Sandra Morris

Attorney, Agent, or Firm—Marshall, O'Toole, Gerstein, Murray & Borun

[**] Term: **14 Years**

[57] **CLAIM**

[21] Appl. No.: **896,359**

The ornamental design for power head for trimmer or edger, as shown and described.

[22] Filed: **Jun. 12, 1992**

DESCRIPTION

Related U.S. Application Data

[62] Division of Ser. No. 816,961, Jan. 3, 1992, abandoned.

[52] U.S. Cl. **D8/8**

[58] Field of Search D8/8; D15/1, 14-18; D32/15; 30/276, 347, 390, DIG. 5; 56/12.7, 234, 239, 249, 255, 289

FIG. 1 is a perspective view of a power head for trimmer or edger showing my new design;

FIG. 2 is a left side view thereof;

FIG. 3 is a right side view thereof;

FIG. 4 is a top view thereof;

FIG. 5 is a bottom view thereof;

FIG. 6 is a front view thereof;

FIG. 7 is a rear view thereof;

FIG. 8 is a perspective view of an alternate embodiment of a power head showing my new design;

FIG. 9 is a left side view thereof;

FIG. 10 is a right side view thereof;

FIG. 11 is a top view thereof;

FIG. 12 is a bottom view thereof;

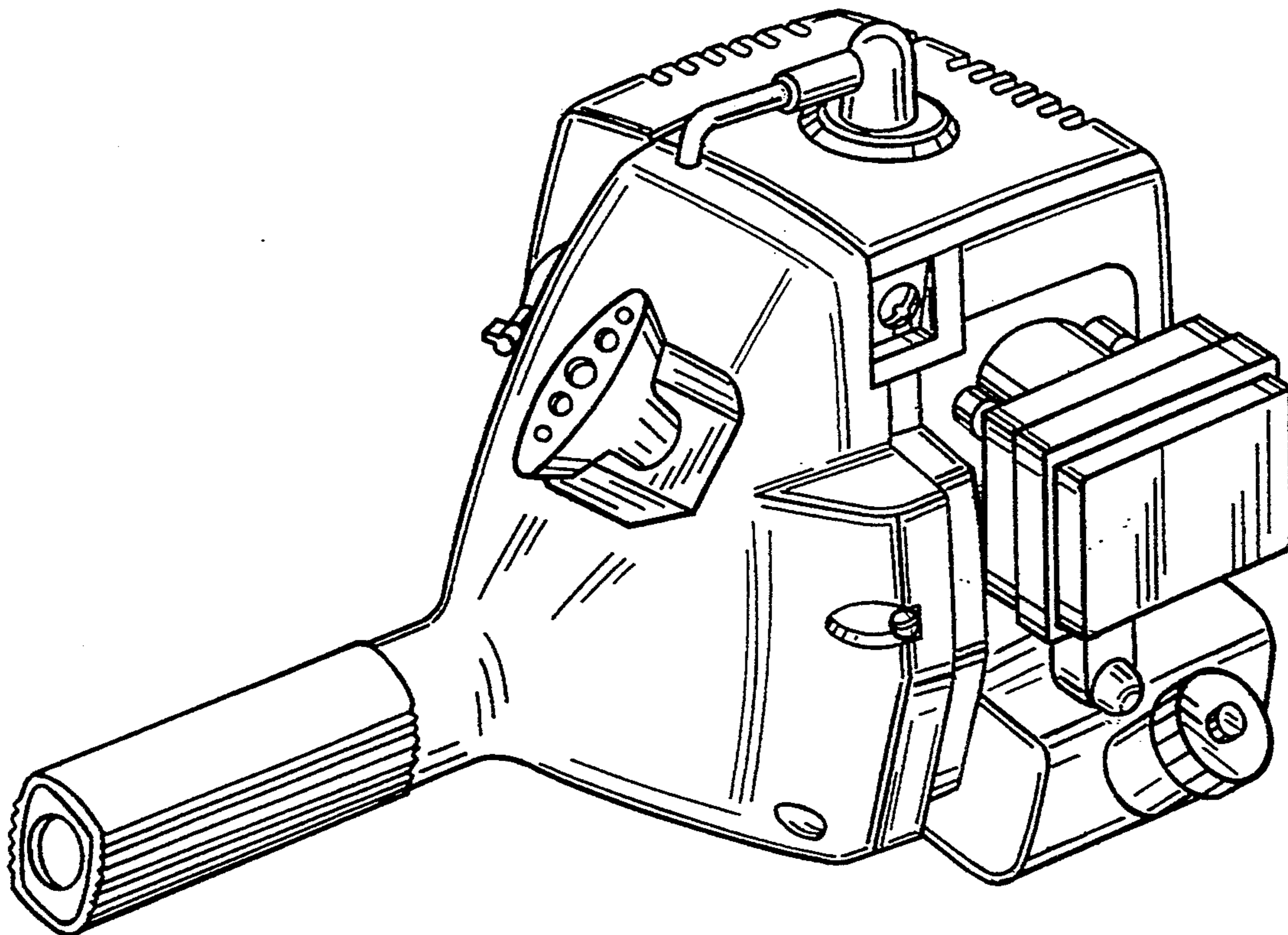
FIG. 13 is a front view thereof; and,

FIG. 14 is a rear view thereof.

[56] **References Cited**

U.S. PATENT DOCUMENTS

- D. 252,130 6/1969 Hoff D8/8
- D. 260,394 8/1981 Tuggle D15/1
- D. 274,620 7/1984 Murakami et al. D15/1
- D. 304,196 10/1989 Tuggle et al. D8/8
- D. 324,051 2/1992 Tuggle et al. D8/8
- D. 333,954 3/1993 Karlsson et al. D8/8
- 4,916,886 4/1990 Nakamura et al. D15/16



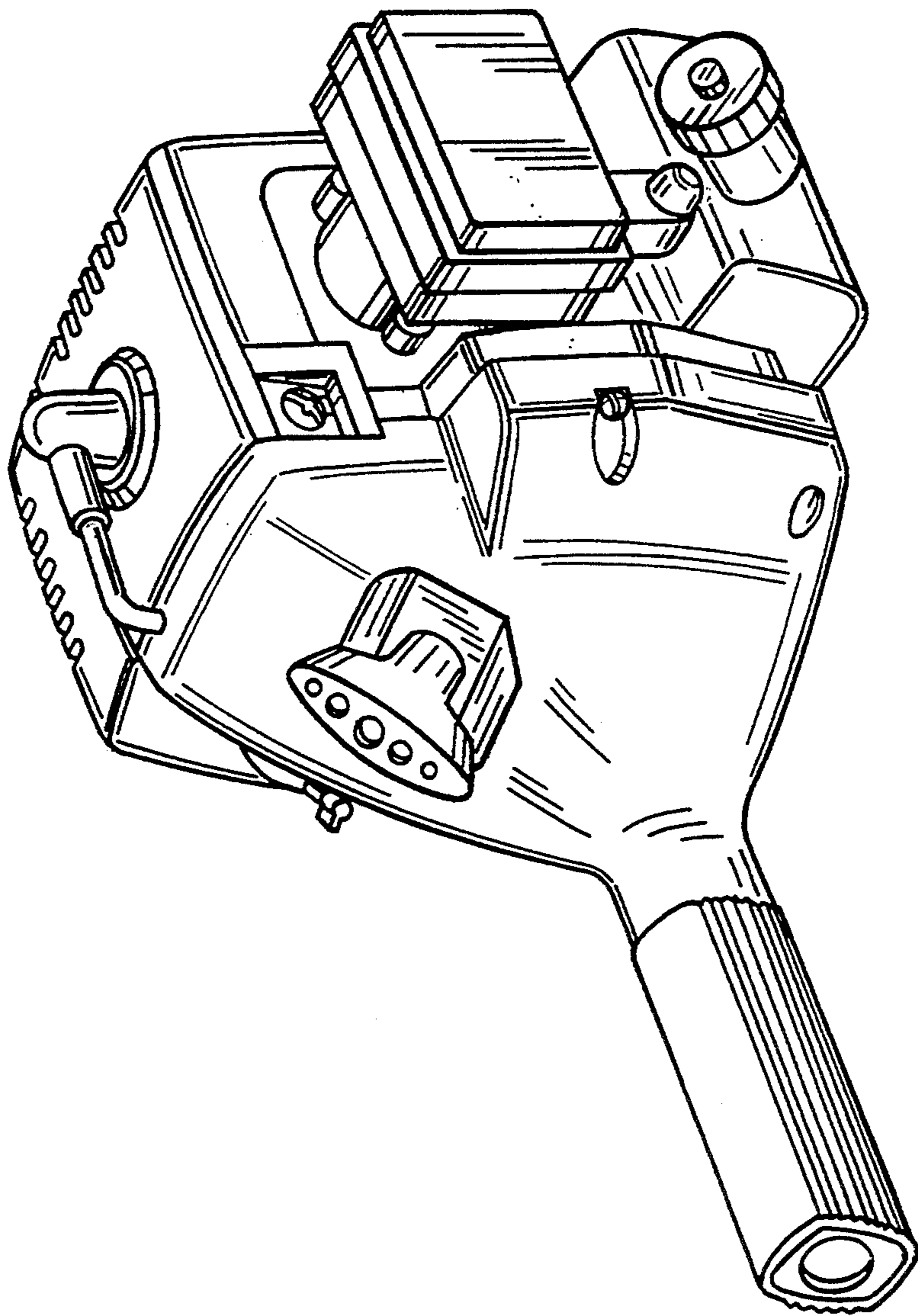


FIG. 1

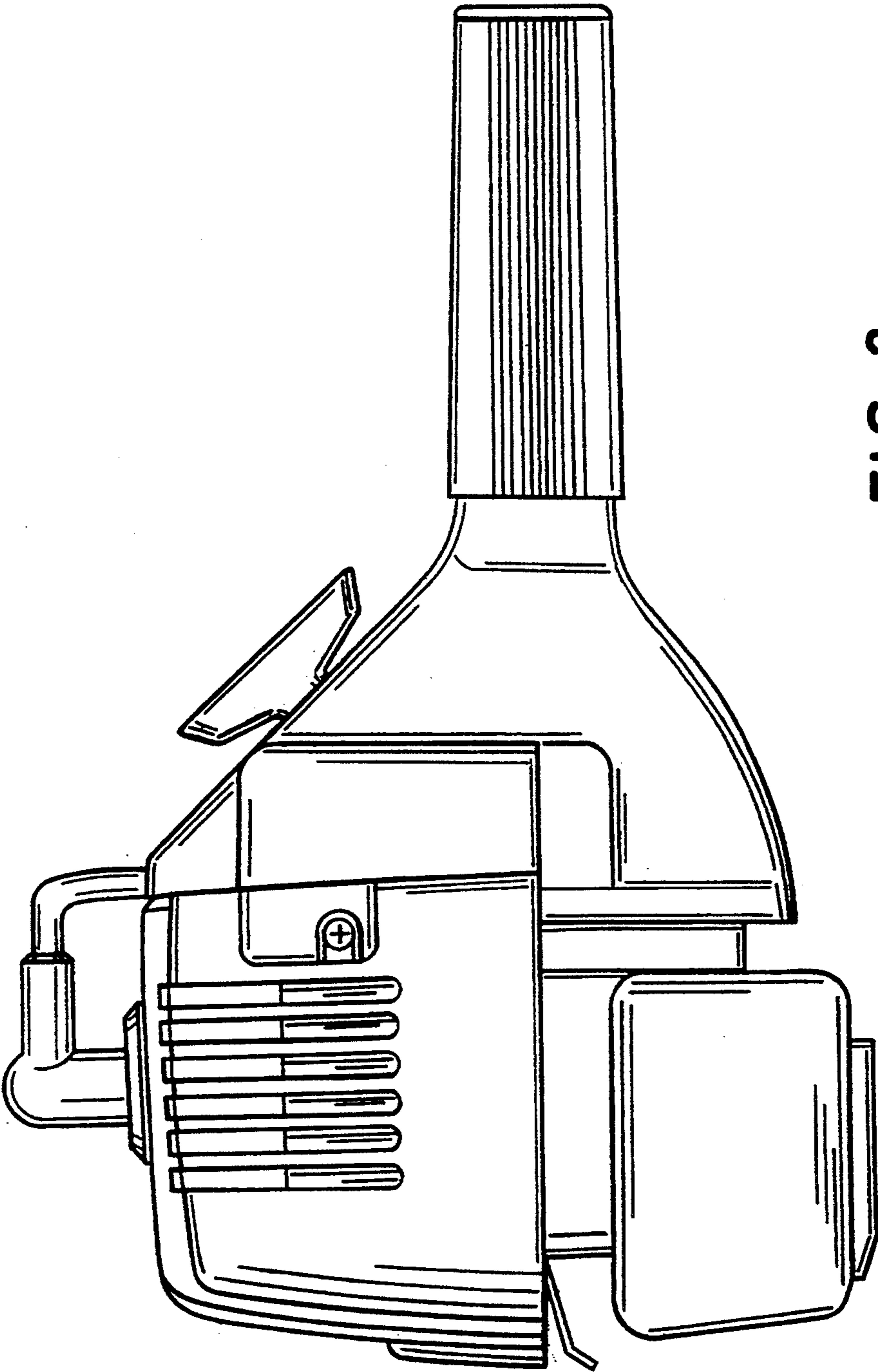


FIG. 2

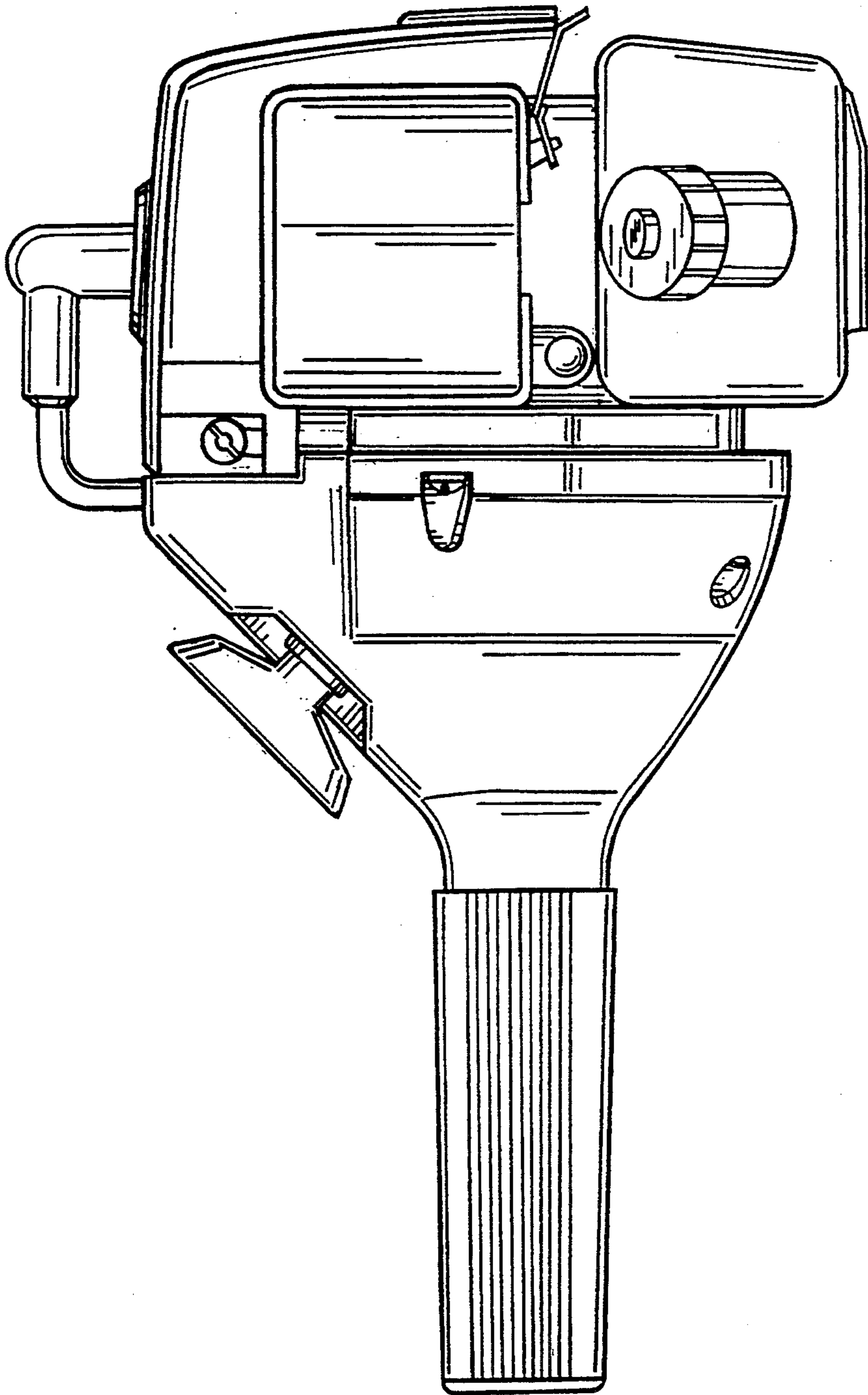


FIG. 3

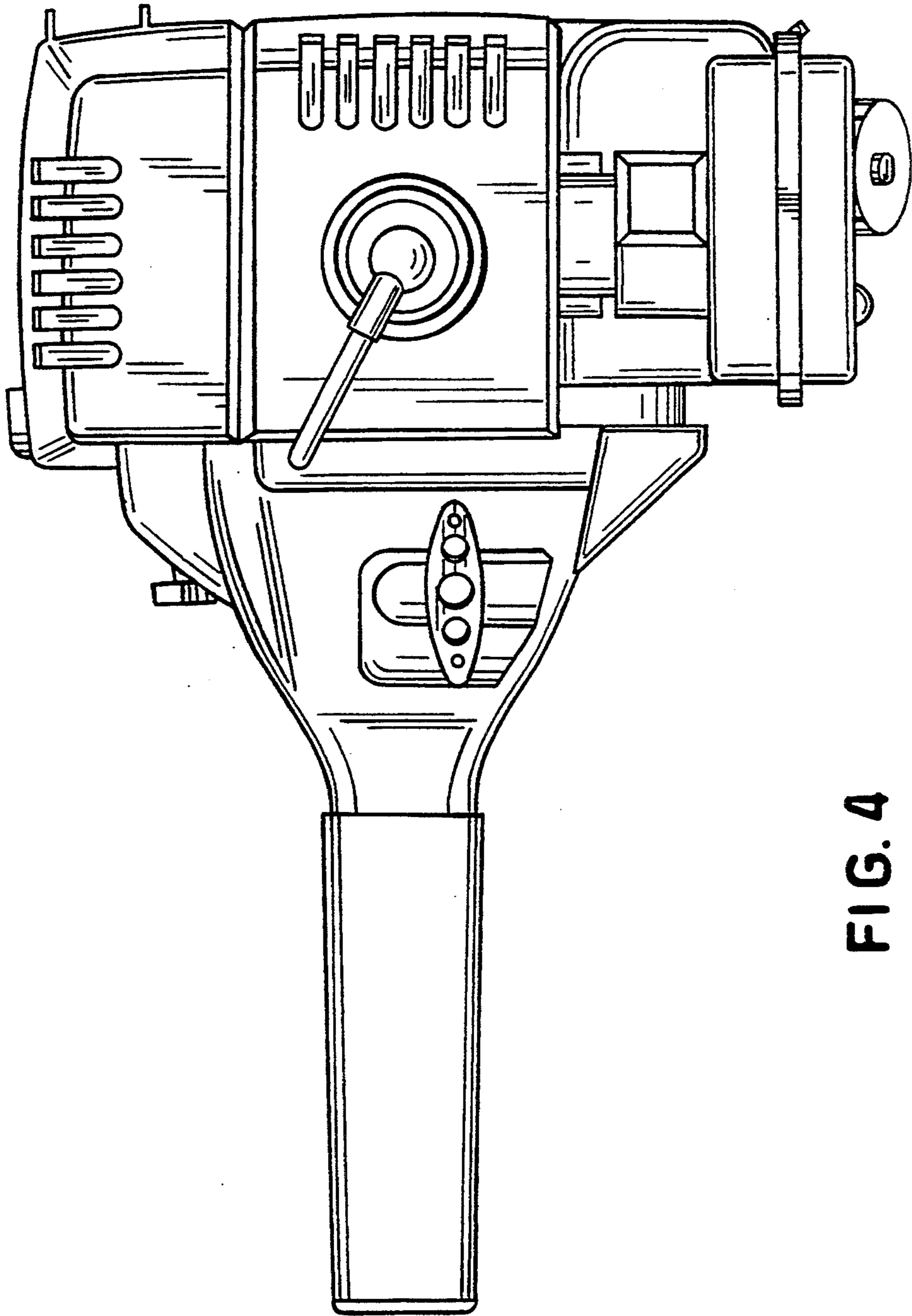


FIG. 4

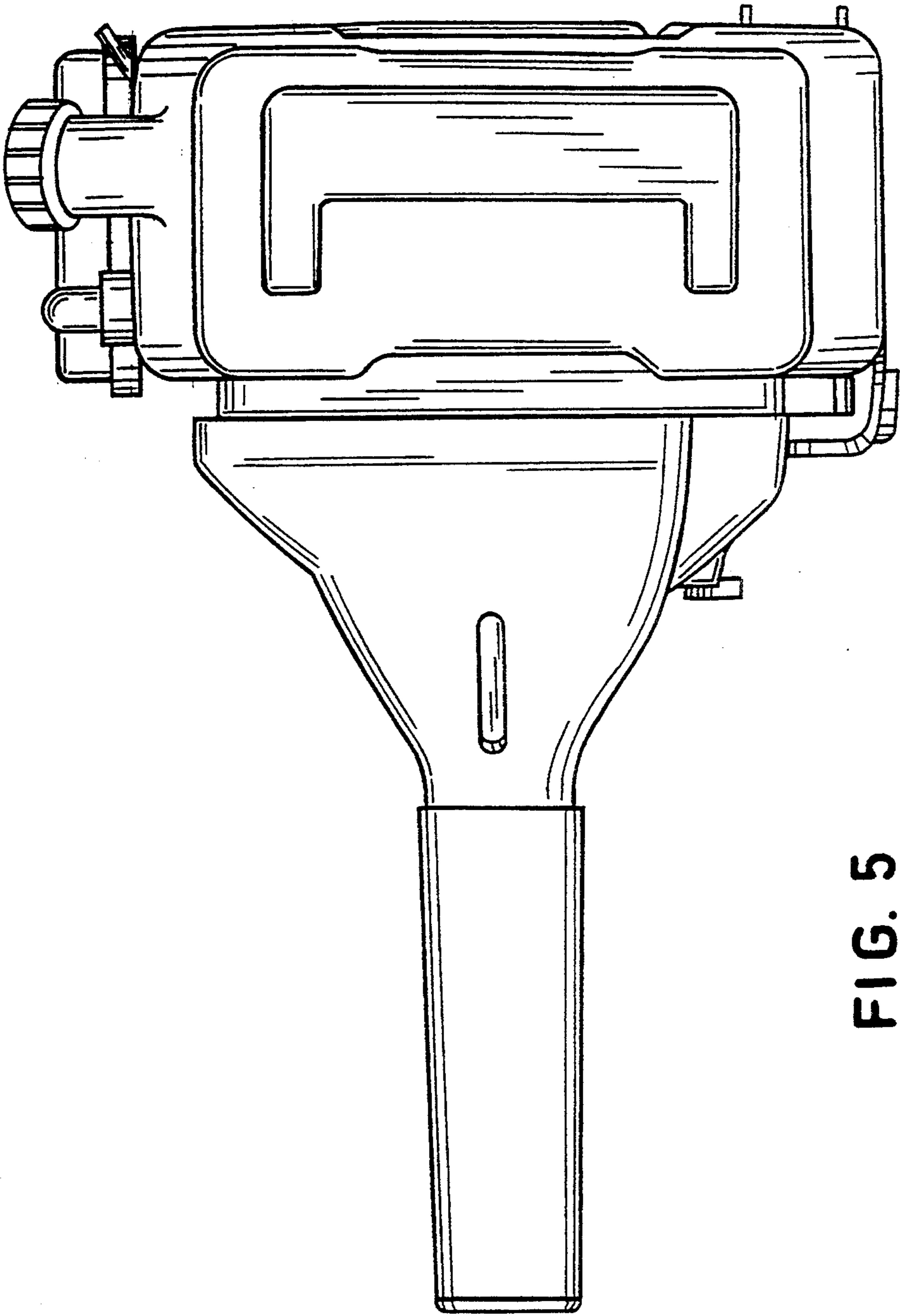


FIG. 5

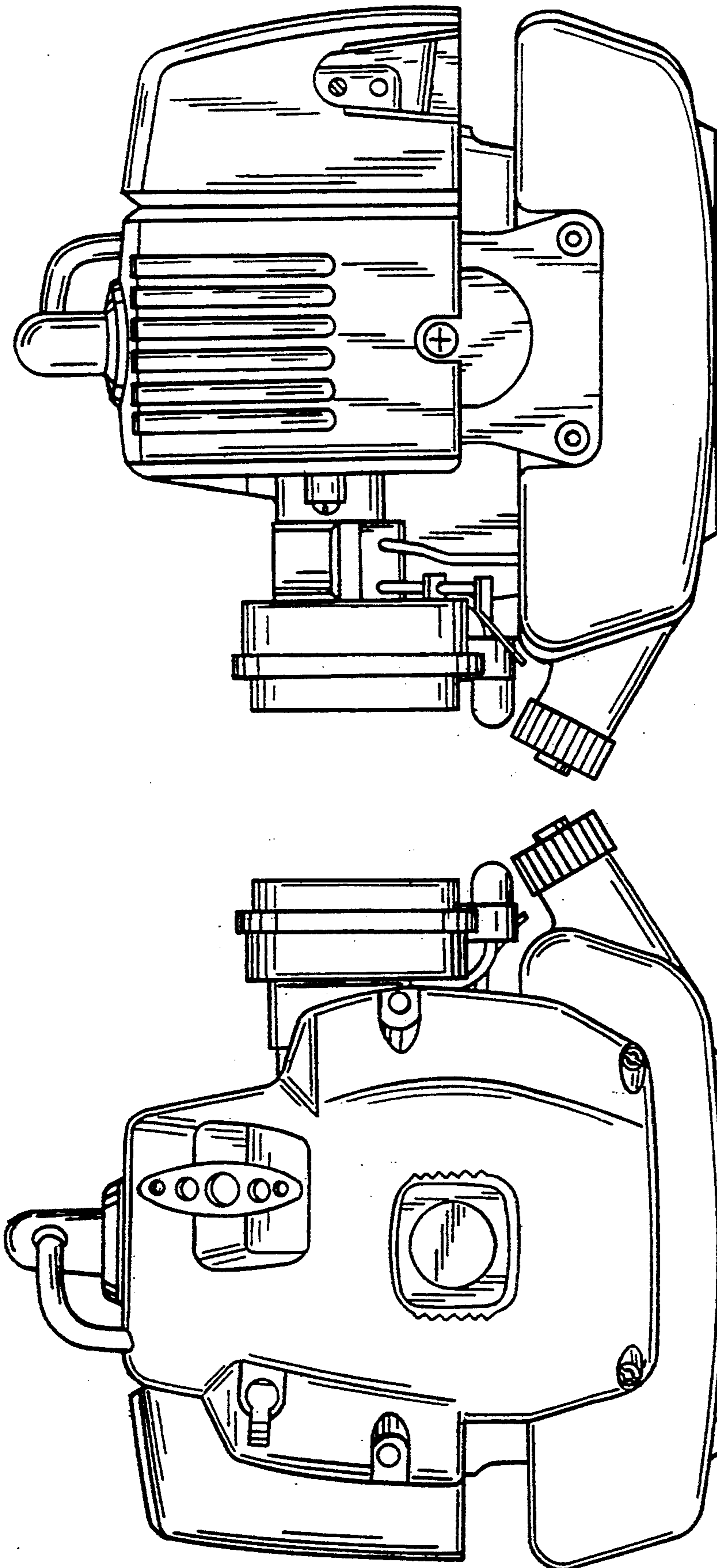


FIG. 7

FIG. 6

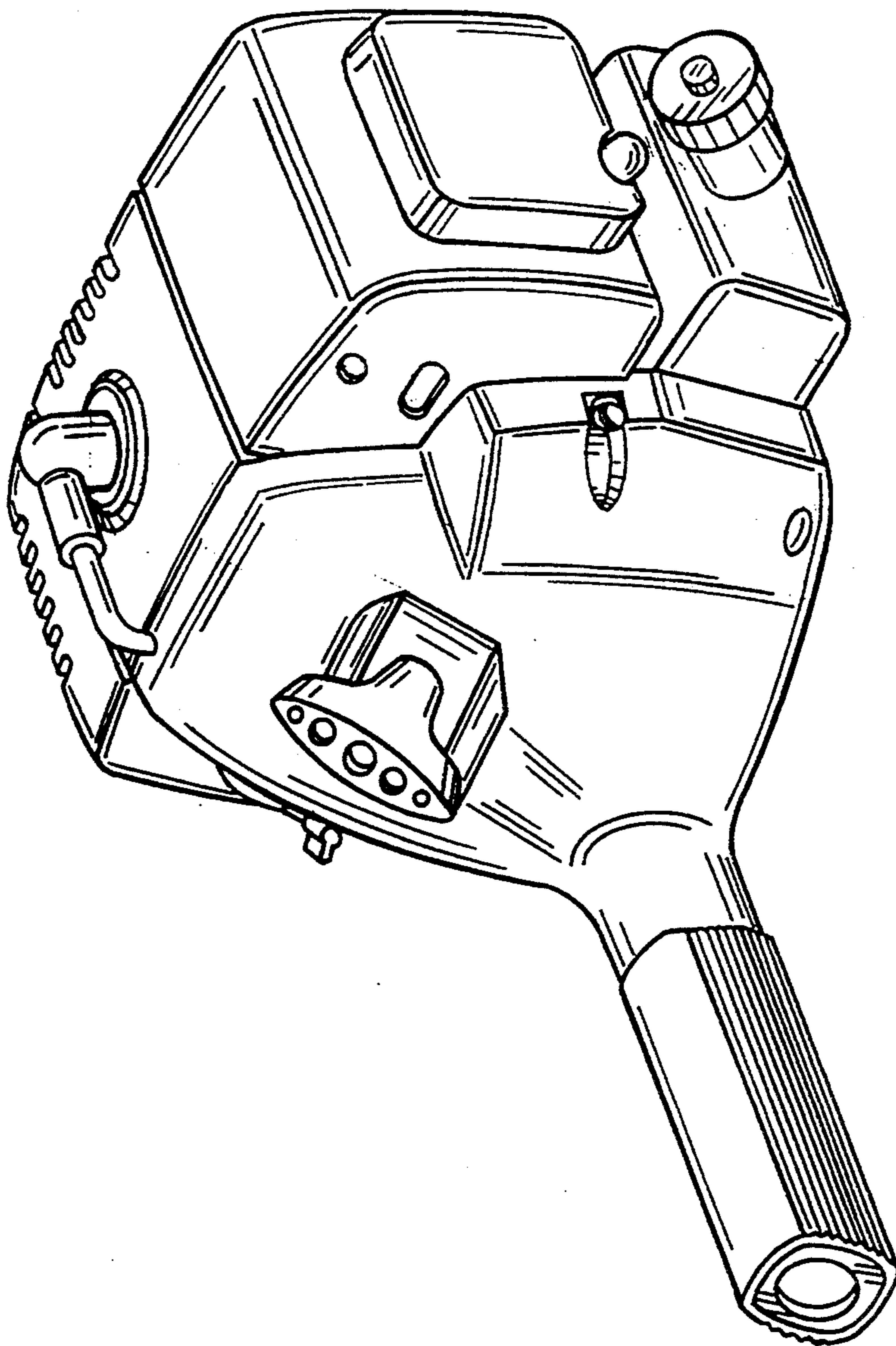


FIG. 8

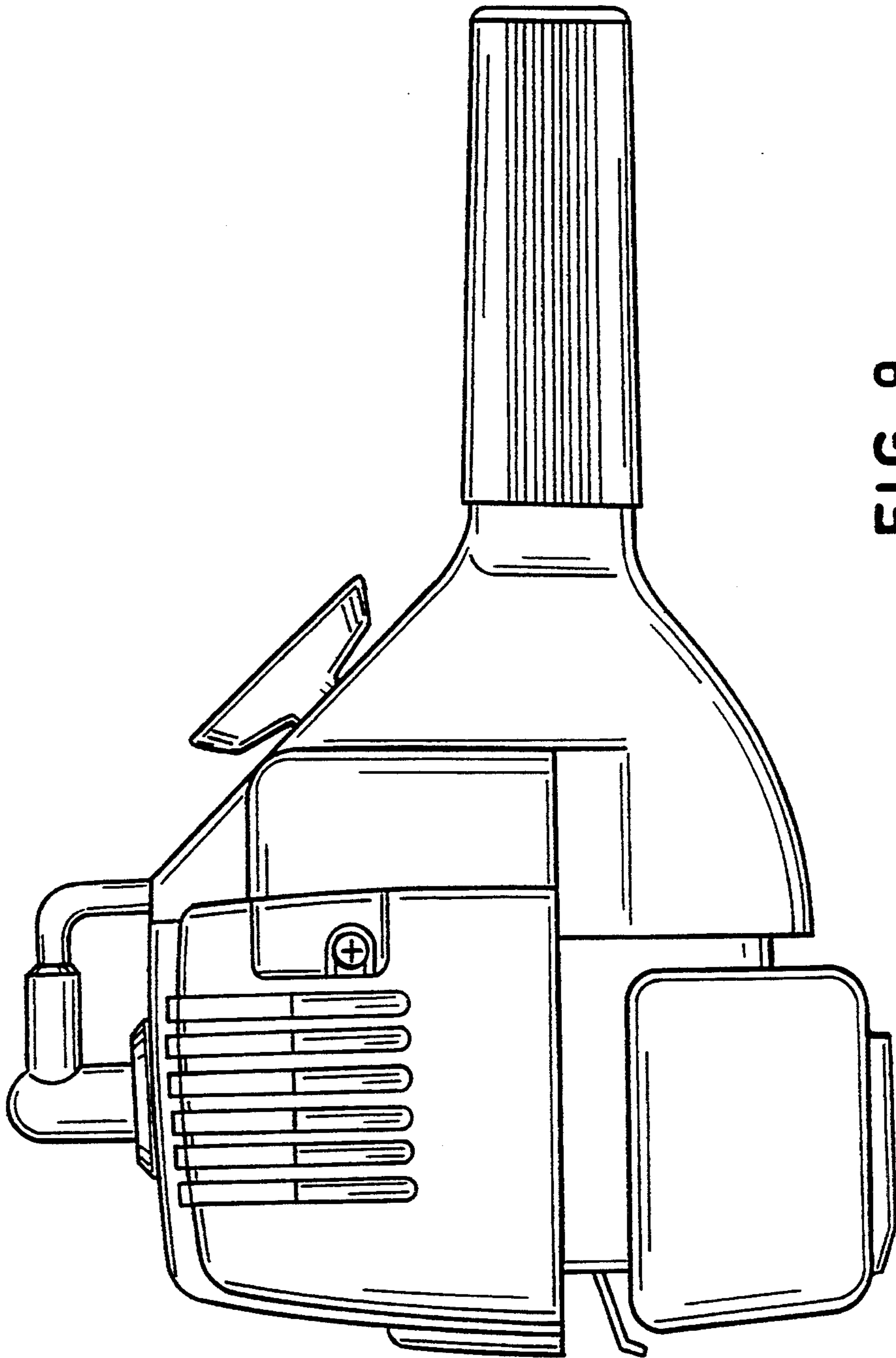


FIG. 9

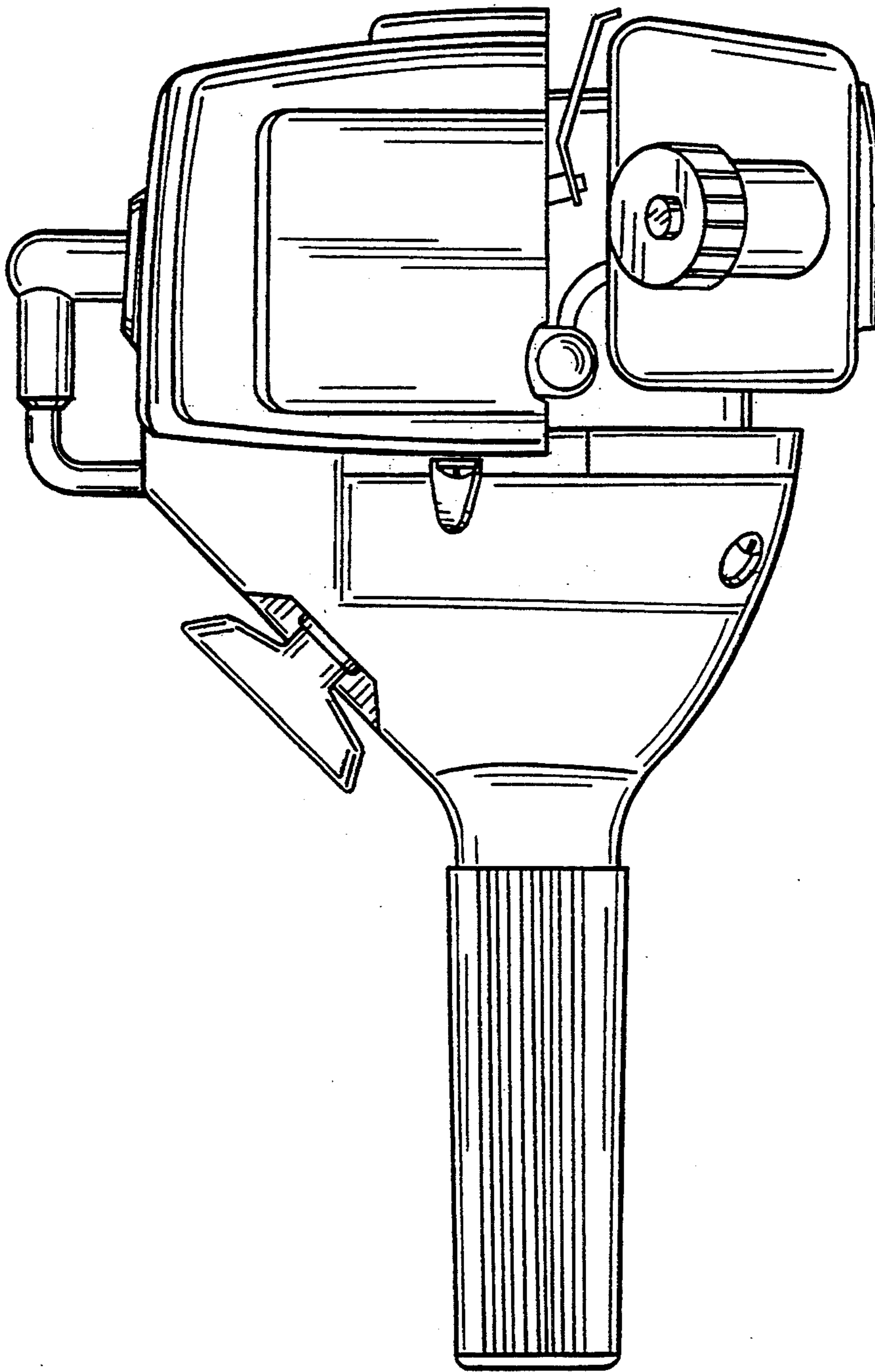


FIG. 10

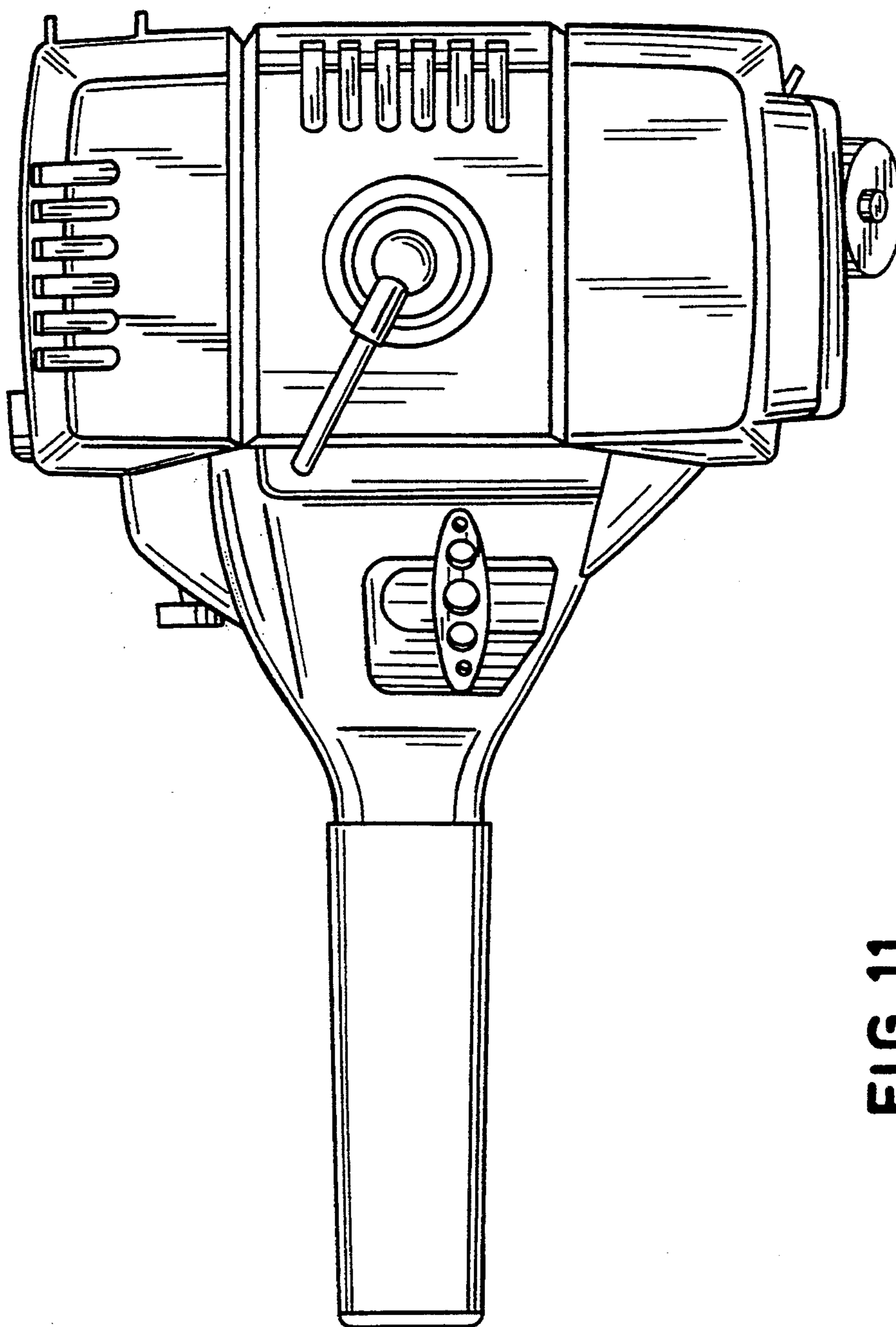


FIG. 11

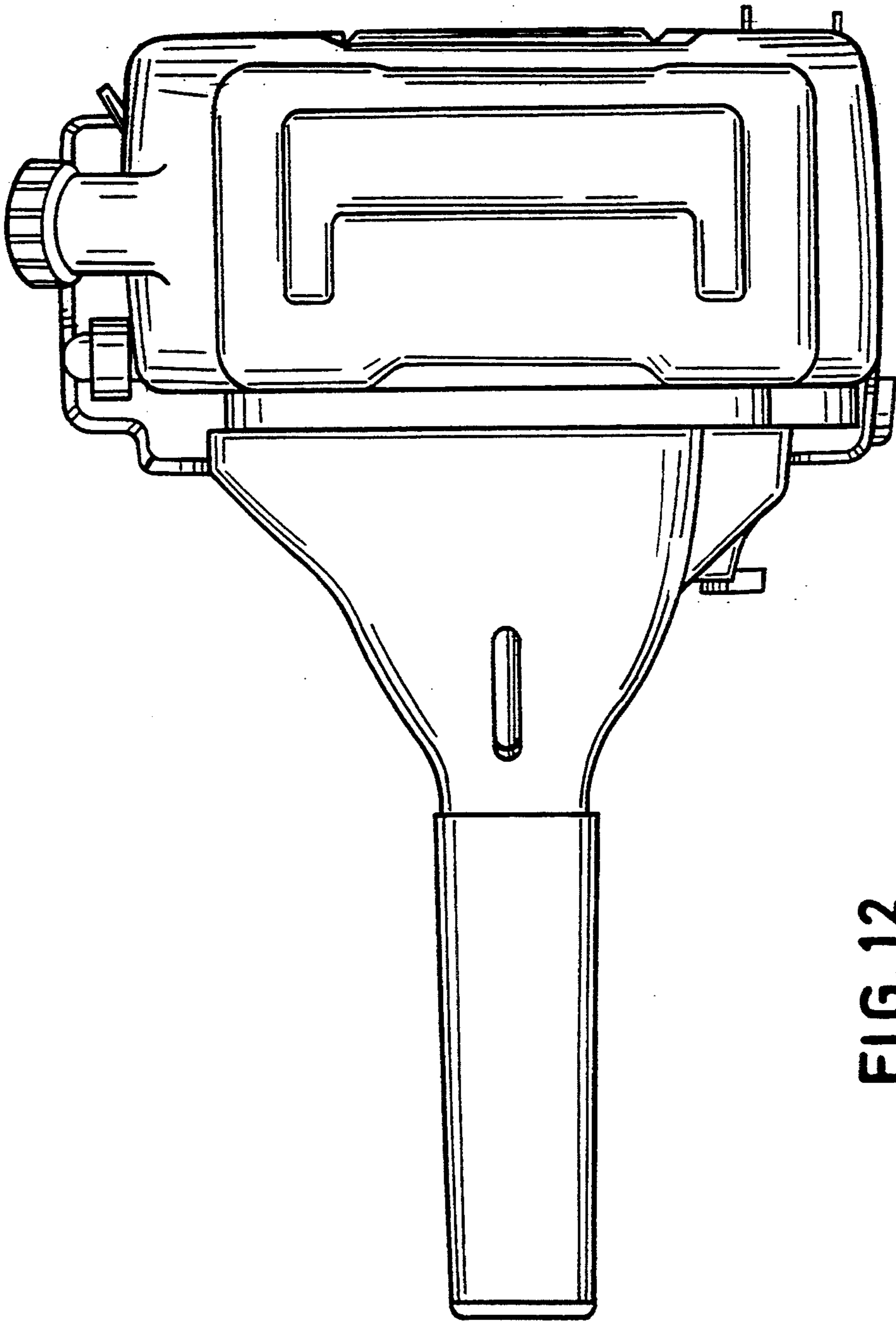


FIG. 12

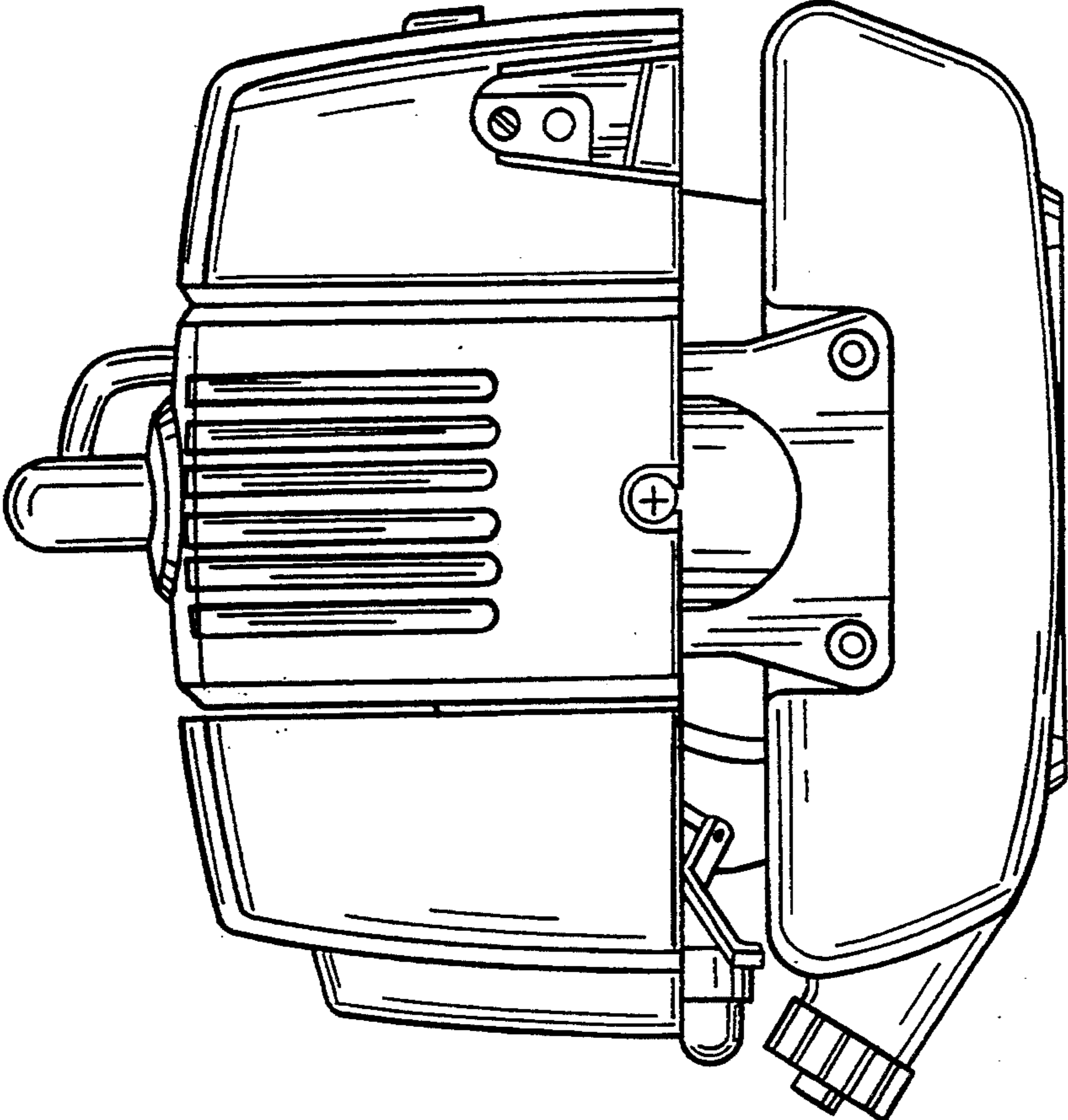


FIG. 14

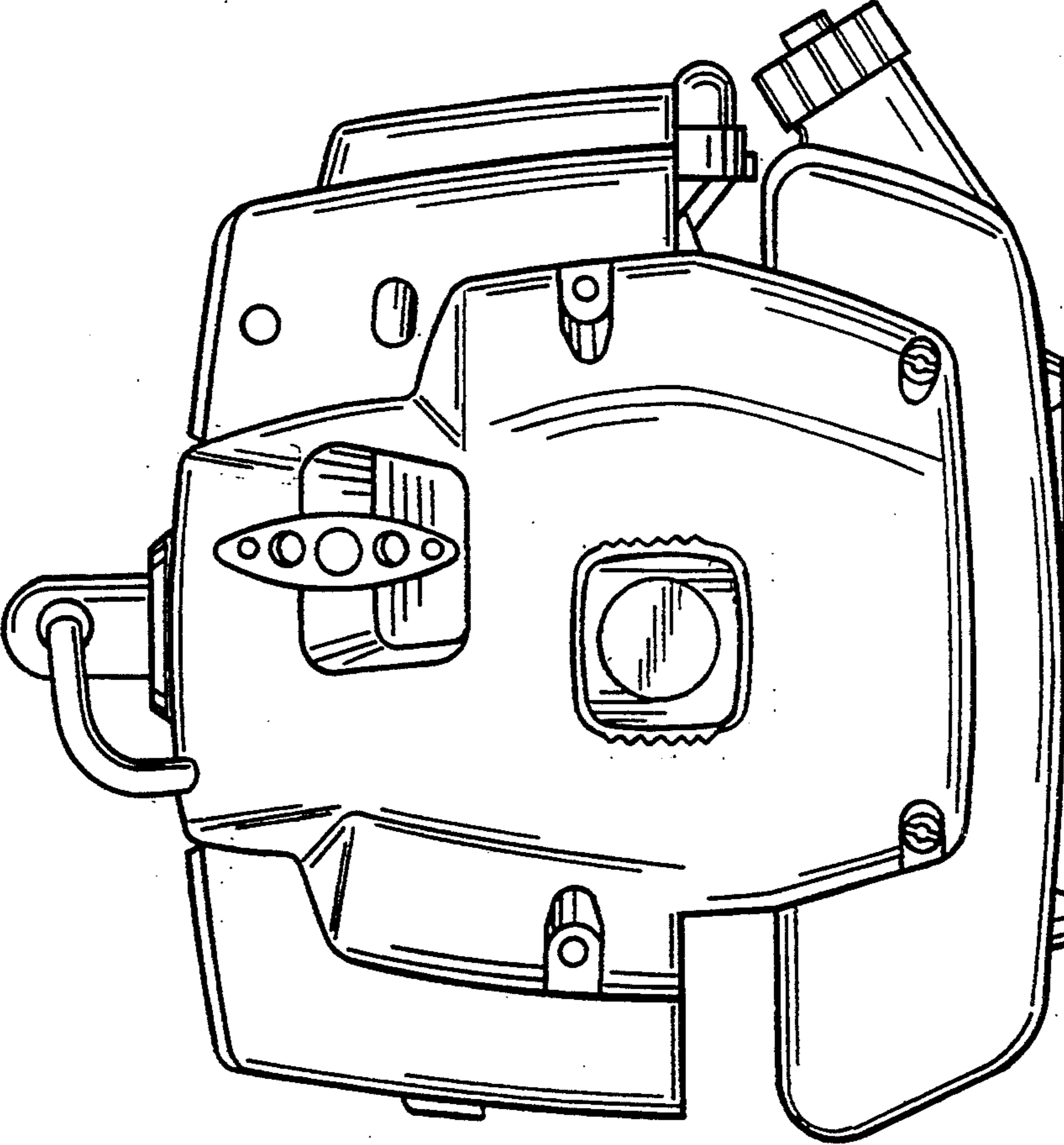


FIG. 13