



US00D358304S

United States Patent [19]

[11] Patent Number: **Des. 358,304**

Hoddinott

[45] Date of Patent: **** May 16, 1995**

[54] CAN SQUEEZER

3,800,363	4/1974	Lapeyre	17/52
4,355,574	10/1982	Bond et al.	100/234
4,860,647	8/1989	Kerslake	100/234

[76] Inventor: **Thomas F. Hoddinott**, 17328 Whitaker Rd., Poolesville, Md. 20837

Primary Examiner—Terry A. Wallace
Attorney, Agent, or Firm—Thomas P. Liniak

[**] Term: **14 Years**

[57] **CLAIM**

[21] Appl. No.: **17,086**

The ornamental design for a can squeezer, as shown.

[22] Filed: **Jan. 4, 1994**

DESCRIPTION

[52] U.S. Cl. **D7/666**

[58] Field of Search **D7/666, 674, 686-687; 100/104, 125, 234, 243; 294/12, 16, 28, 29, 32**

FIG. 1 is a perspective view of a can squeezer showing my new design;

FIG. 2 is a top plan view thereof;

FIG. 3 is a right side elevation view thereof;

FIG. 4 is a left side elevation view thereof;

FIG. 5 is a bottom plan view thereof;

FIG. 6 is a rear elevation thereof; and,

FIG. 7 is a front elevation thereof.

[56] **References Cited**

U.S. PATENT DOCUMENTS

D. 311,116	10/1990	Pentland	D7/666
D. 330,313	10/1992	Green	D7/666

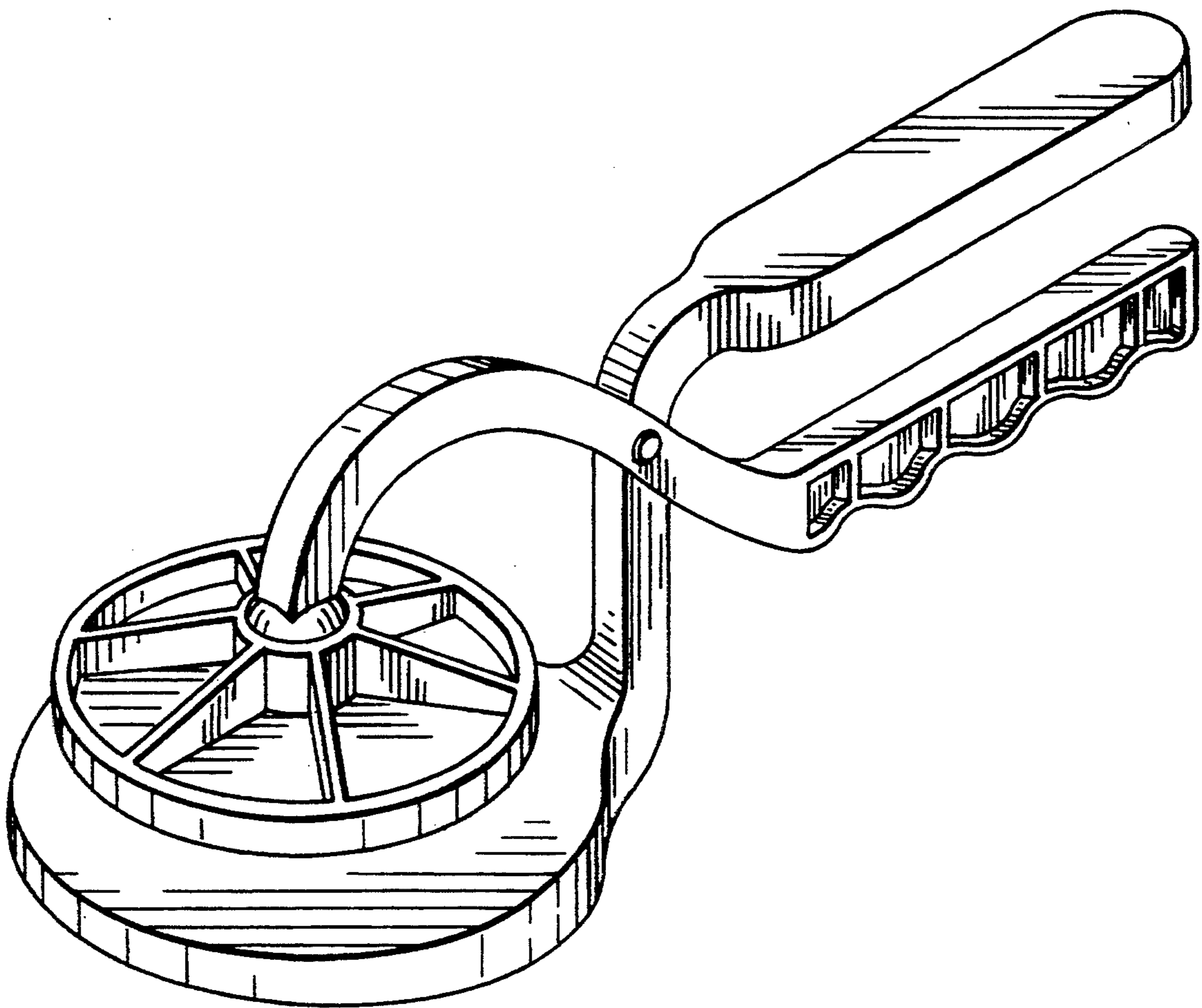


Fig. 1

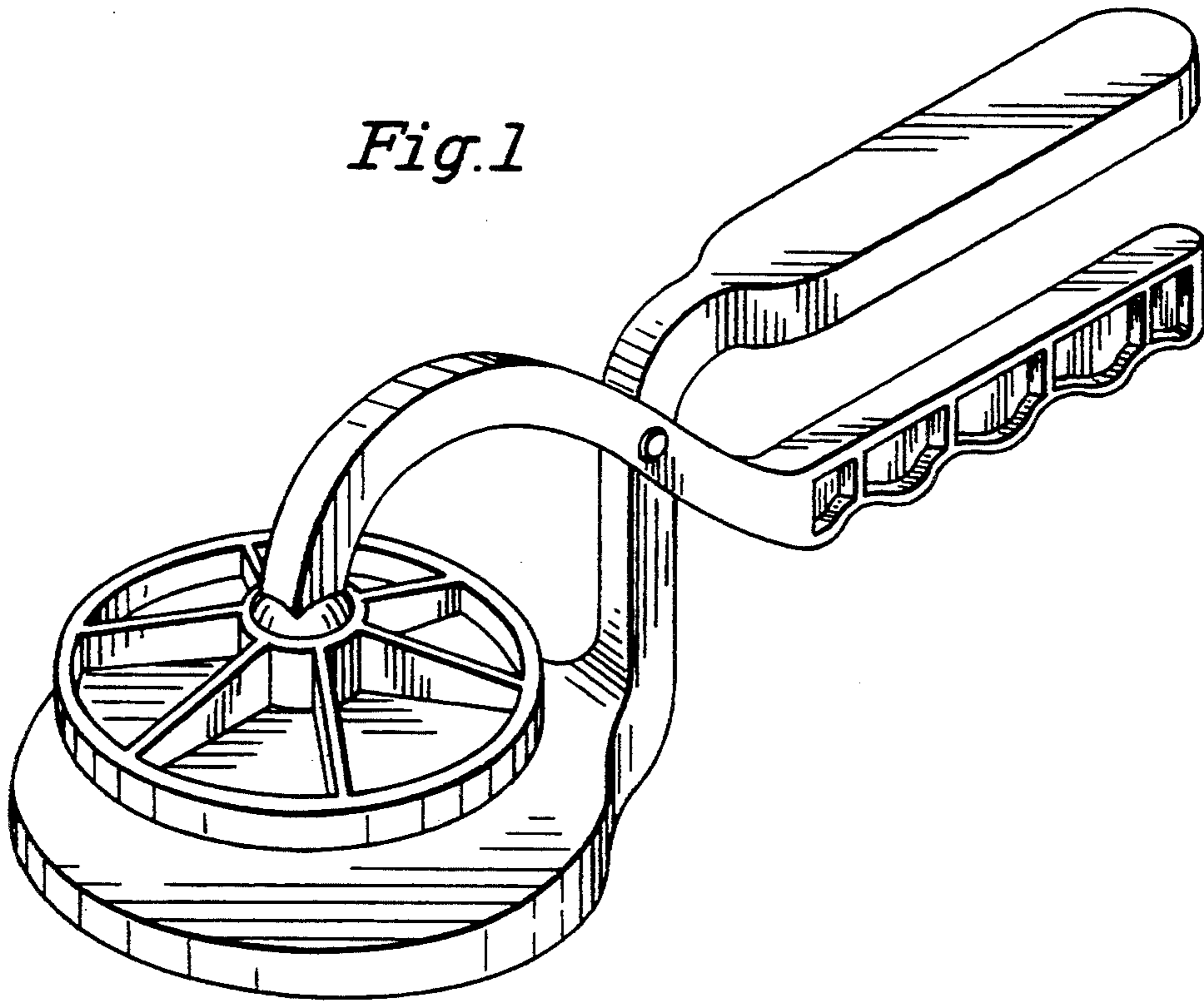


Fig. 2

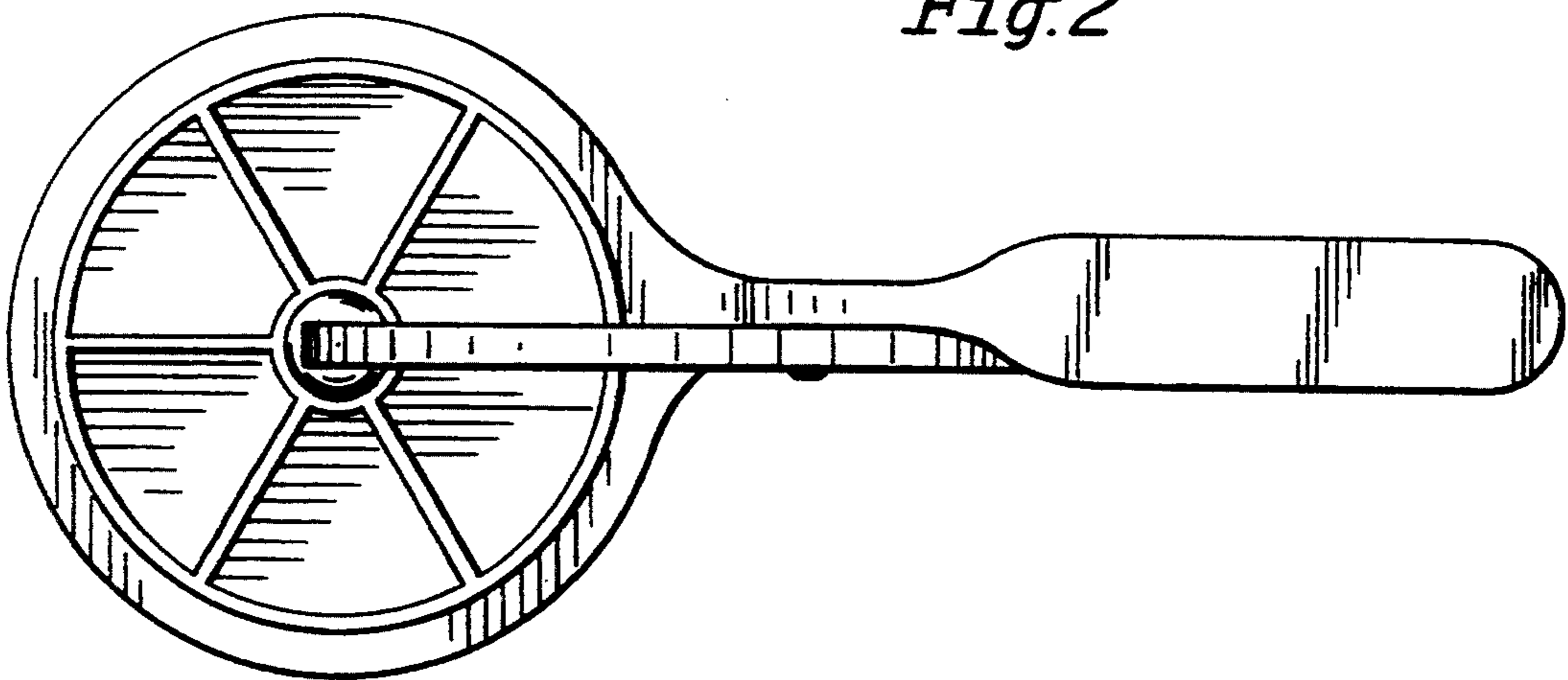


Fig. 3

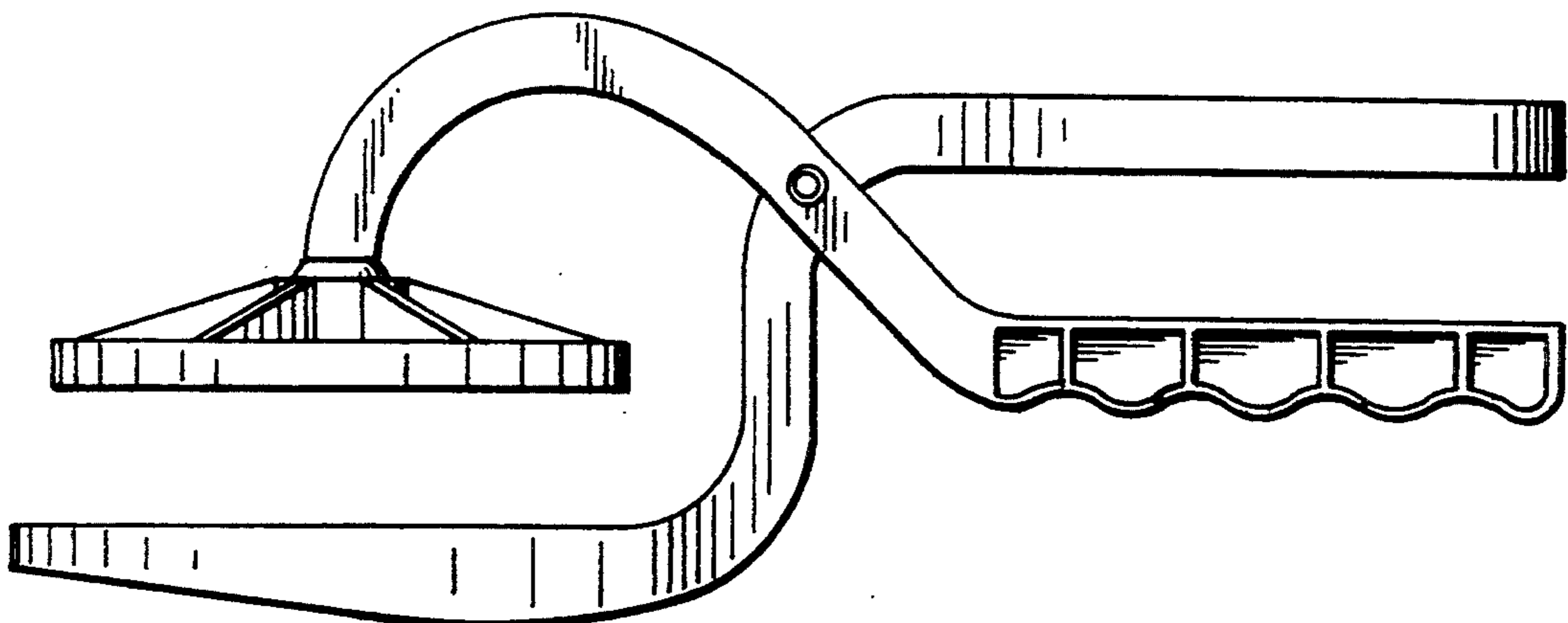


Fig. 4

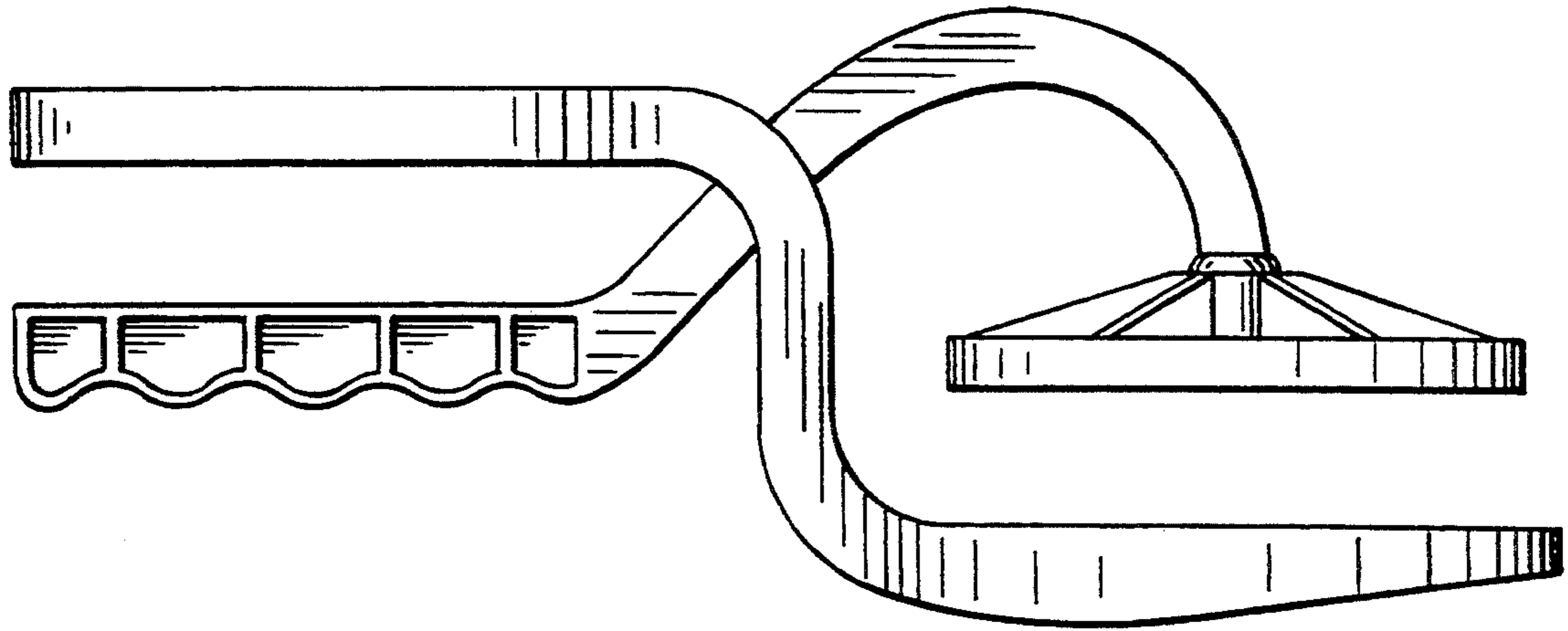


Fig. 5

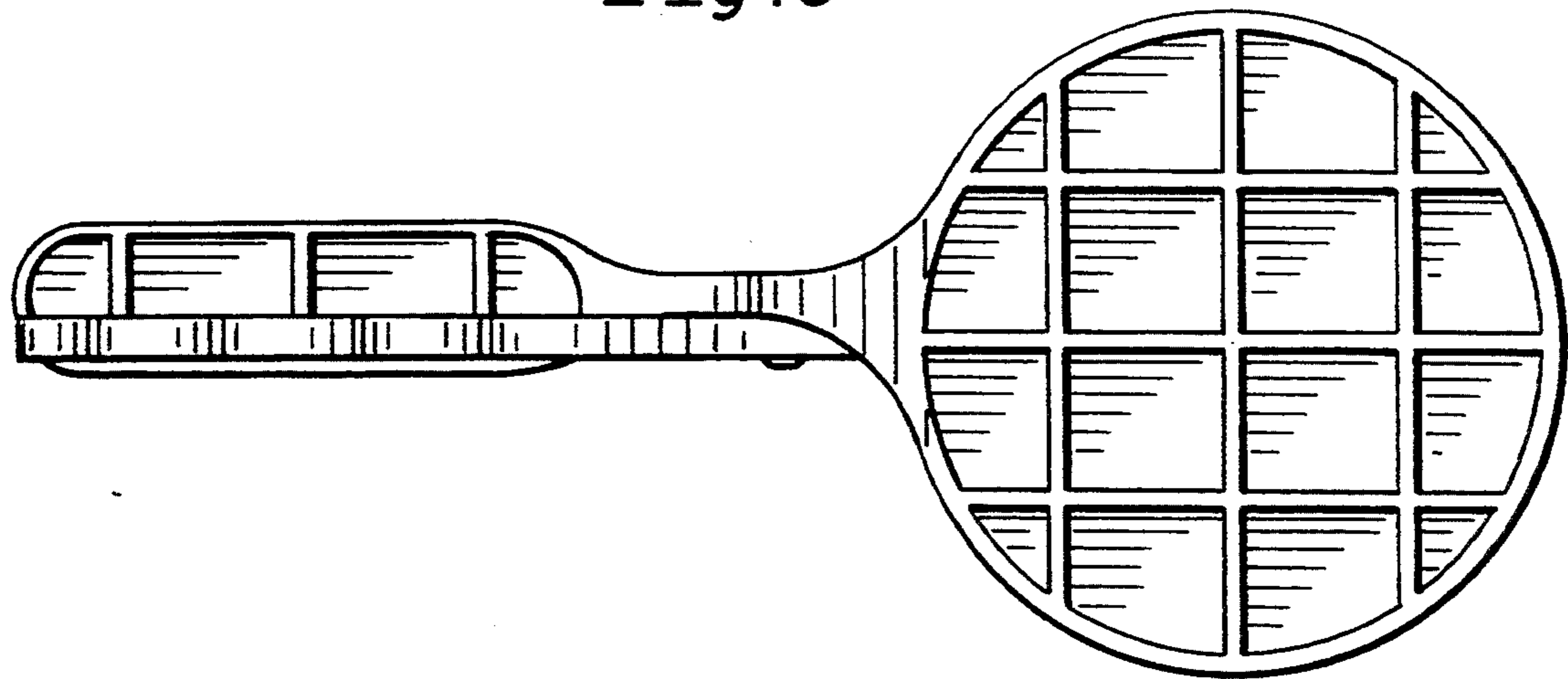


Fig. 6

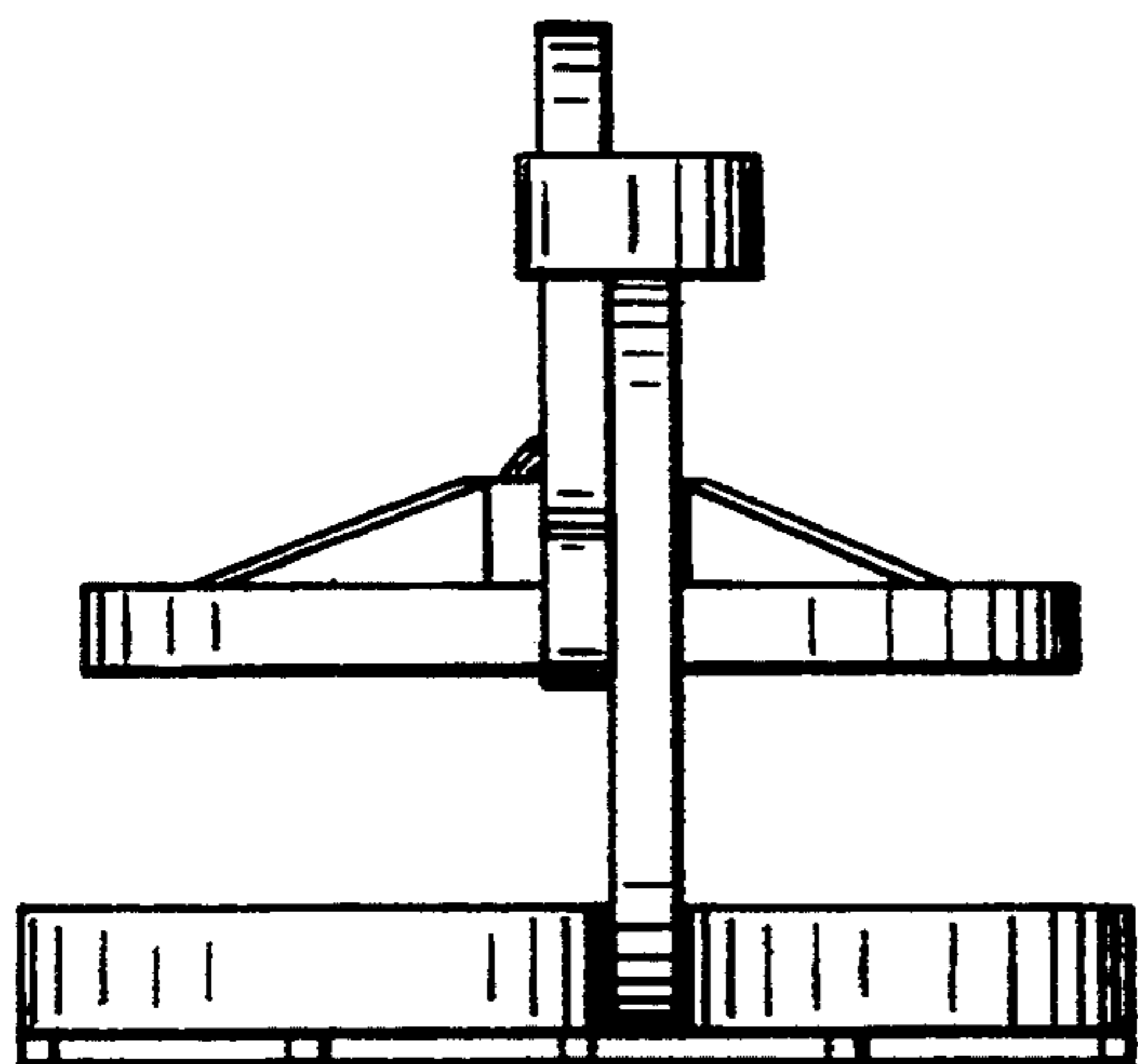


Fig. 7

