



US00D358302S

United States Patent [19]

[11] Patent Number: **Des. 358,302**

VanValkenburg et al.

[45] Date of Patent: **** May 16, 1995**

[54] FOOD STORAGE CONTAINER

[75] Inventors: **Terry L. VanValkenburg**, Elk River, Minn.; **Bradley W. Andress**, Hudson, Wis.; **Gregg M. Davis**; **John W. Koenig**, both of Columbus, Ohio

[73] Assignee: **Plastics, Inc.**, St. Paul, Minn.

[*] Notice: The portion of the term of this patent subsequent to Sep. 27, 2008 has been disclaimed.

[**] Term: **14 Years**

[21] Appl. No.: **6,053**

[22] Filed: **Mar. 22, 1993**

[52] U.S. Cl. **D7/614; D7/629**

[58] Field of Search **D7/614-615, D7/629, 354, 500, 538-549; D9/424, 425; 206/216; 220/212, 253, 352, 353, 675**

[56] References Cited

U.S. PATENT DOCUMENTS

| | | | | |
|------------|---------|----------------|-------|-----------|
| D. 233,121 | 10/1974 | Daenen | | D7/629 |
| D. 329,782 | 9/1992 | Narsutis | | D7/629 |
| D. 335,428 | 5/1993 | Picozza et al. | | D7/612 |
| 5,082,136 | 1/1992 | Schumann | | 220/212 X |

Primary Examiner—Terry A. Wallace
Attorney, Agent, or Firm—Baker & McKenzie

[57] CLAIM

The ornamental design for food storage container, as shown and described.

DESCRIPTION

FIG. 1 is a side elevational view of a food storage container showing our new design, the opposite side being a mirror image;

FIGS. 2-6 are side elevational views of alternate embodiments of FIG. 1, the opposite side being a mirror image;

FIG. 7 is a top plan view thereof;

FIGS. 8-12 are top plan views of FIGS. 2-6;

FIG. 13 is a bottom plan view thereof;

FIGS. 14-18 are bottom plan views of FIGS. 2-6;

FIG. 19 is a front elevational view thereof, the opposite side being a mirror image;

FIGS. 20-24 are front elevational views of FIGS. 2-6, the opposite side being a mirror image;

FIG. 25 is a side elevational view of an alternate embodiment of FIG. 1, the opposite side being a mirror image;

FIG. 26 is a front elevational view of FIG. 25, the opposite side being a mirror image;

FIG. 27 is a top plan view of FIG. 25;

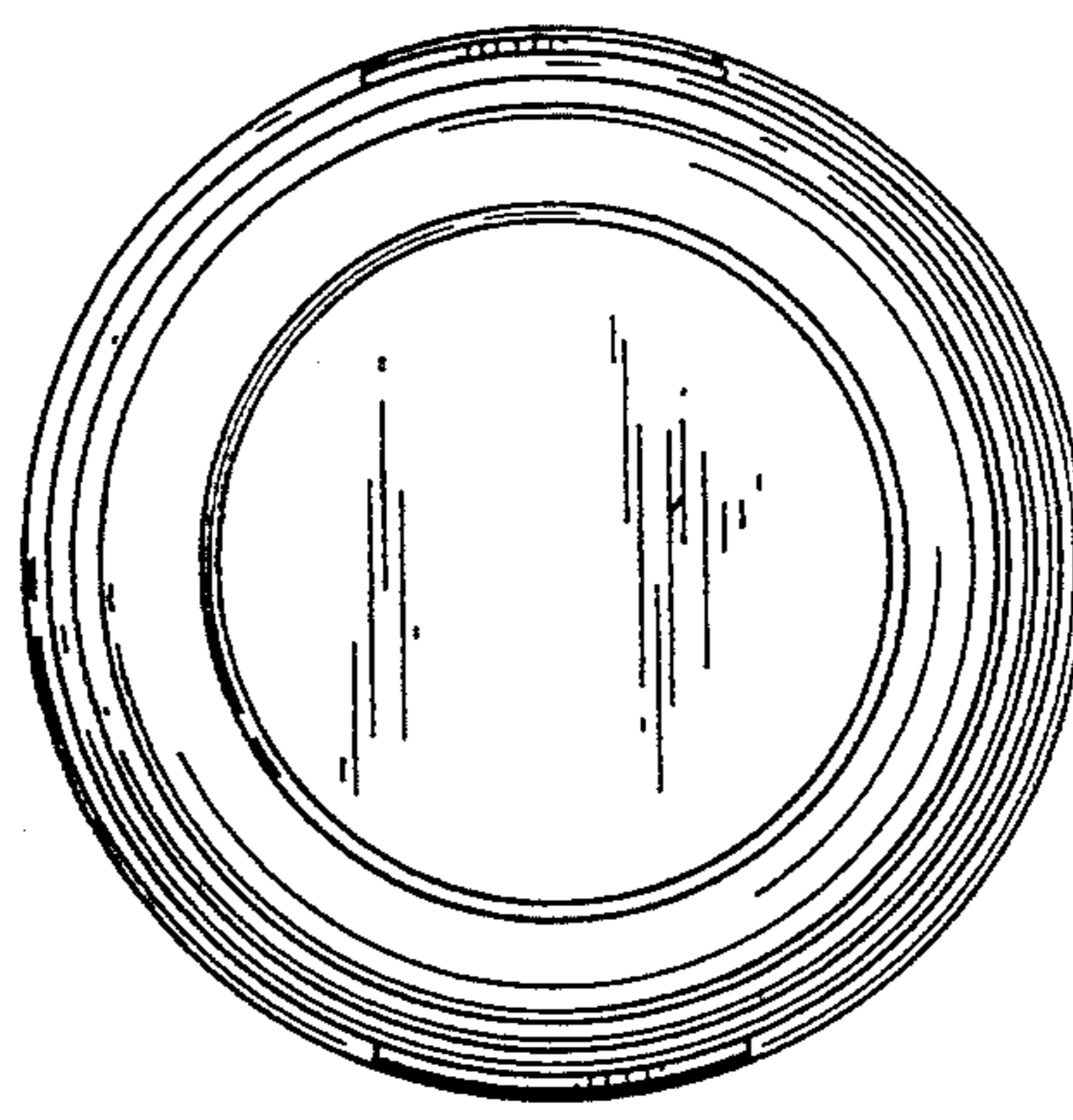
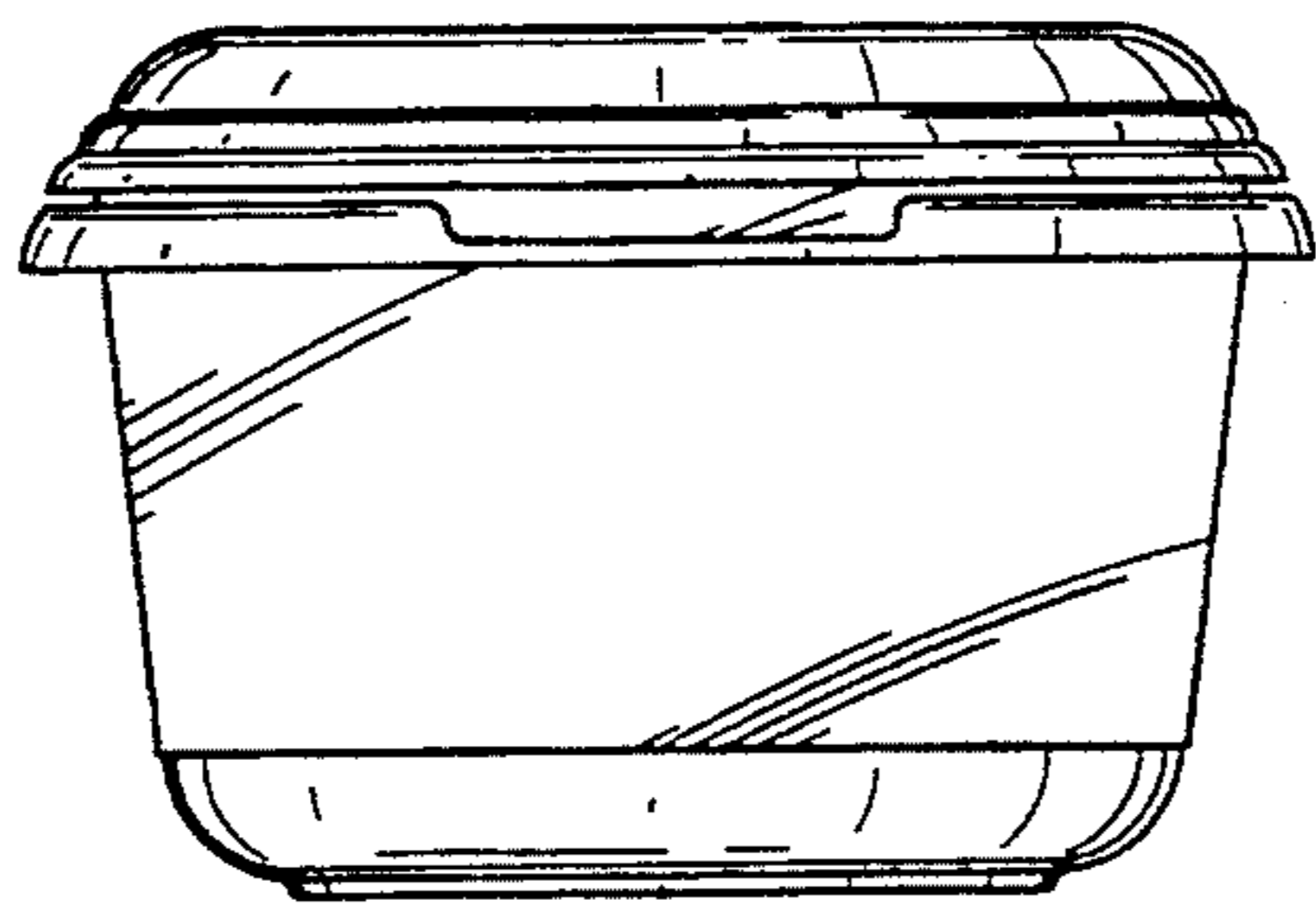
FIG. 28 is a bottom plan view of FIG. 25;

FIG. 29 is a side elevational view of an alternate embodiment of FIG. 1, the opposite side being a mirror image;

FIG. 30 is a front elevational view of FIG. 29, the opposite side being a mirror image;

FIG. 31 is a top plan view of FIG. 29; and,

FIG. 32 is a bottom plan view of FIG. 29.



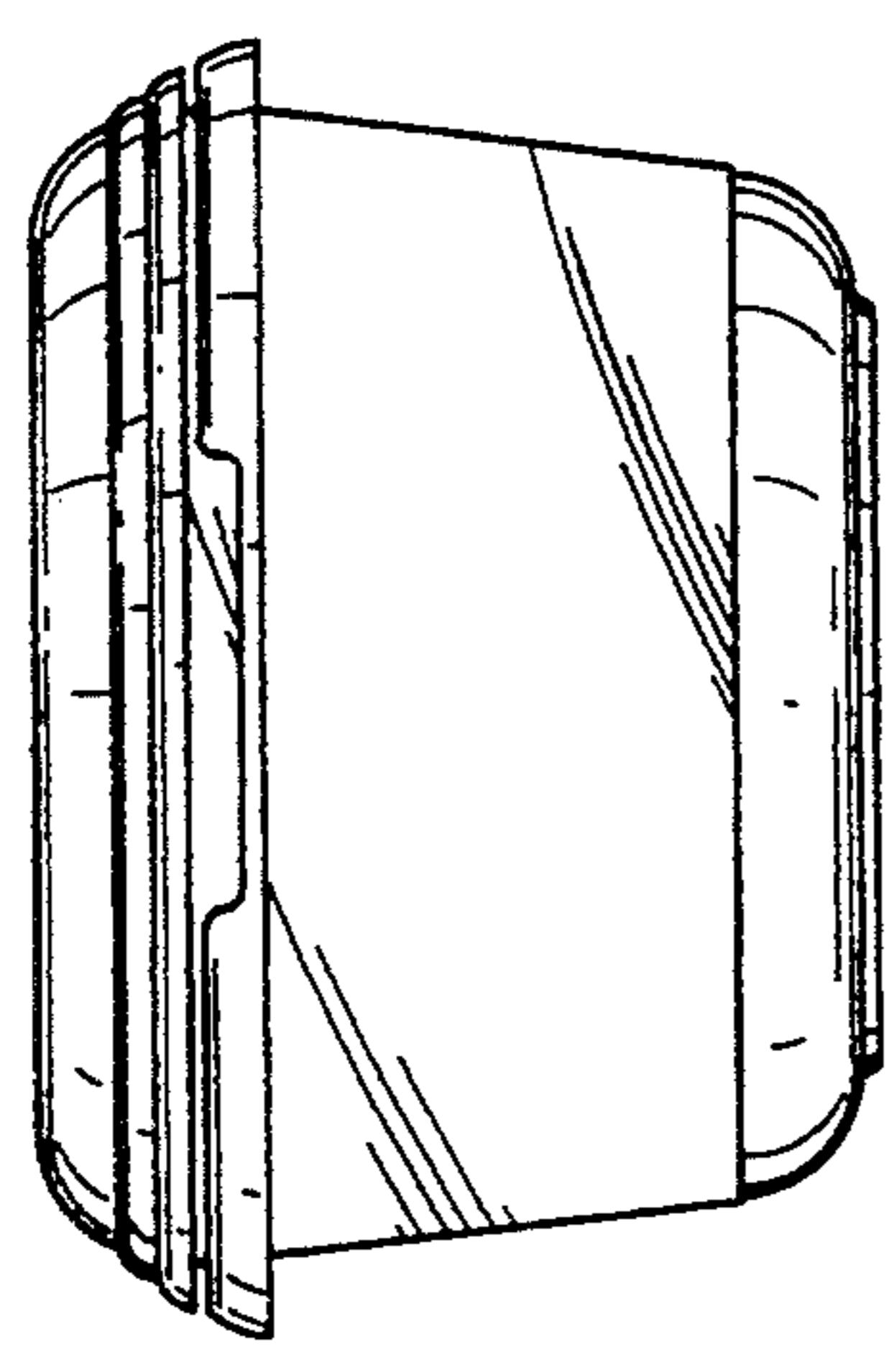


FIG. 1

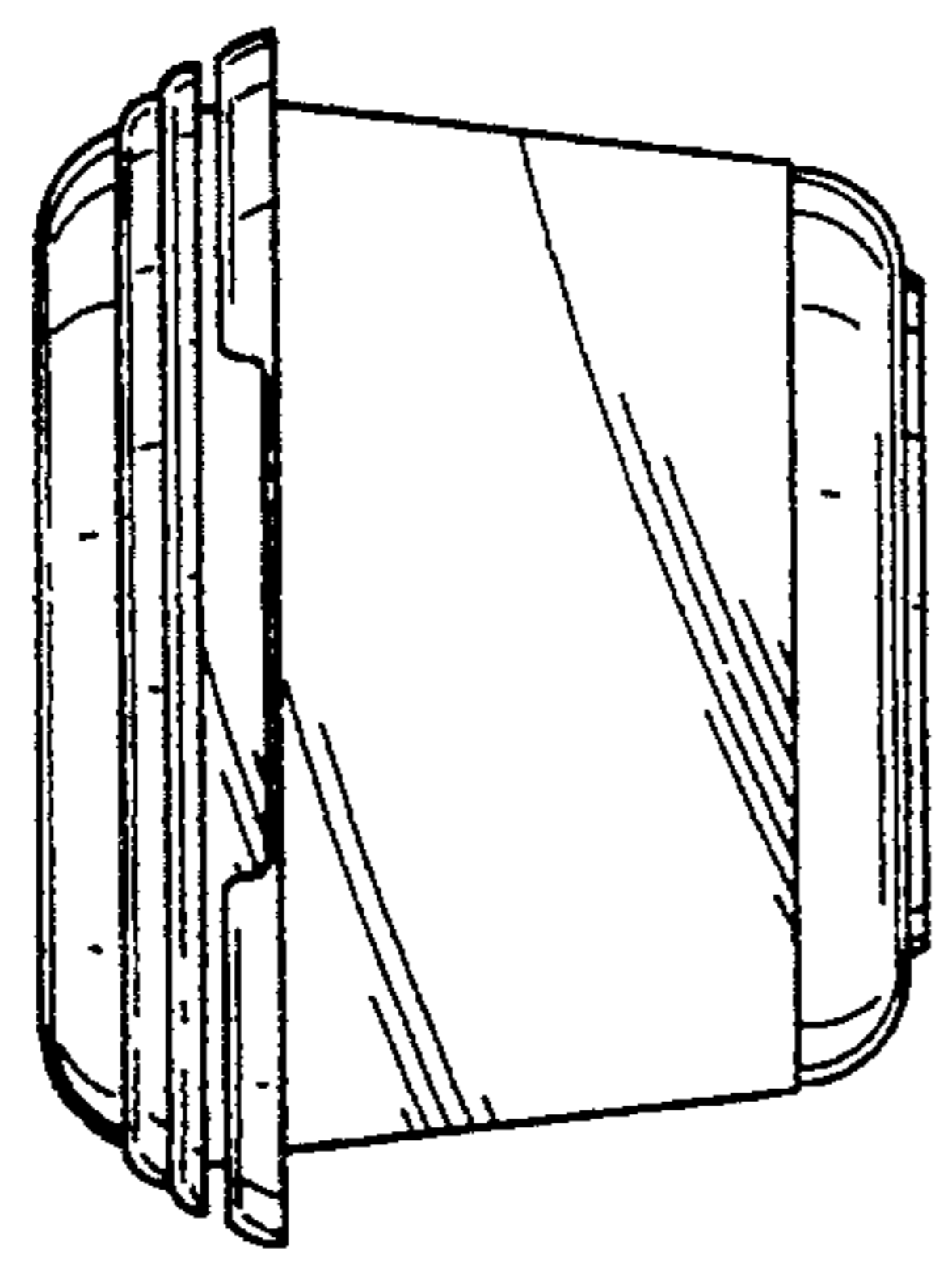


FIG. 2

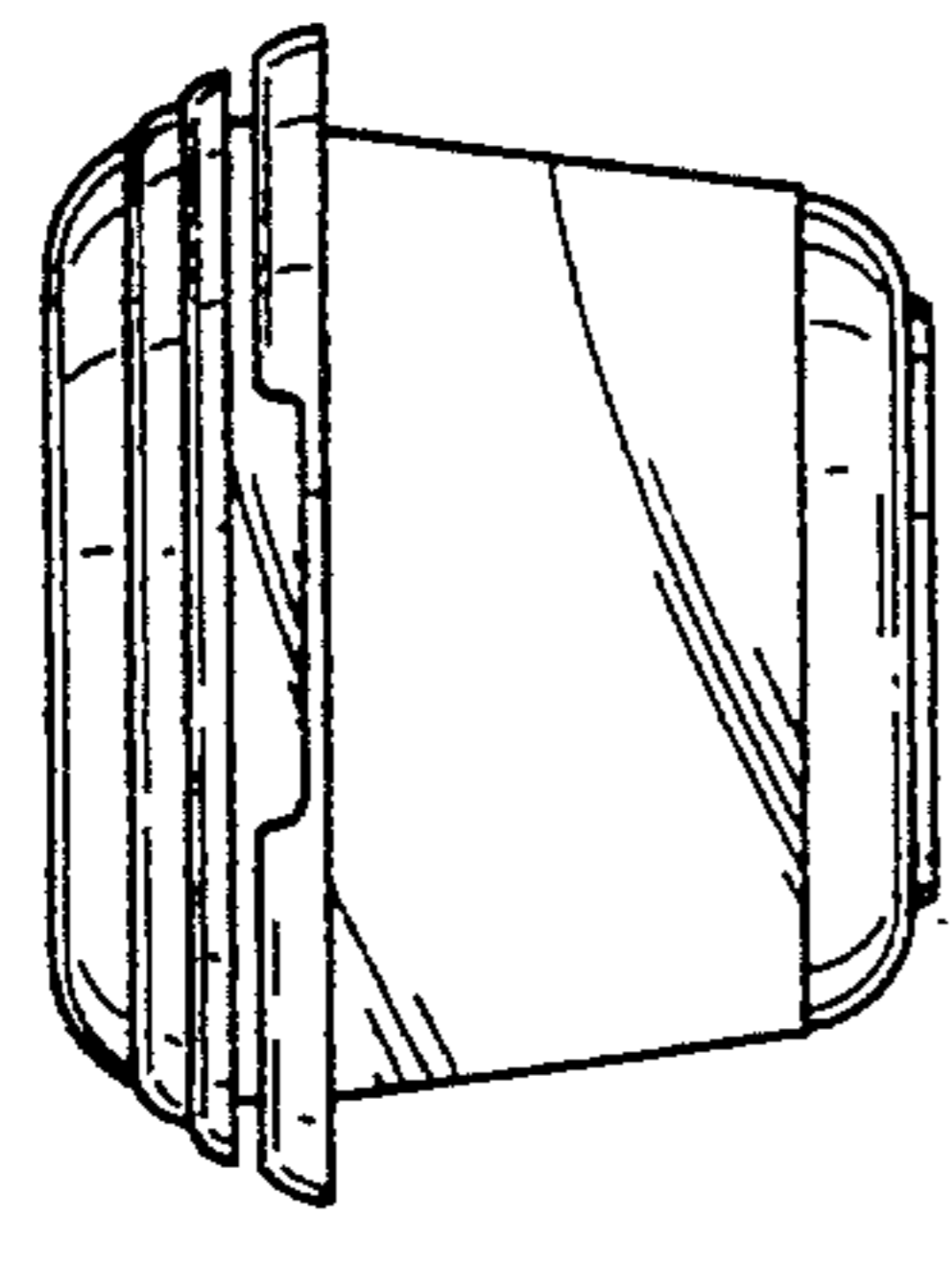


FIG. 3

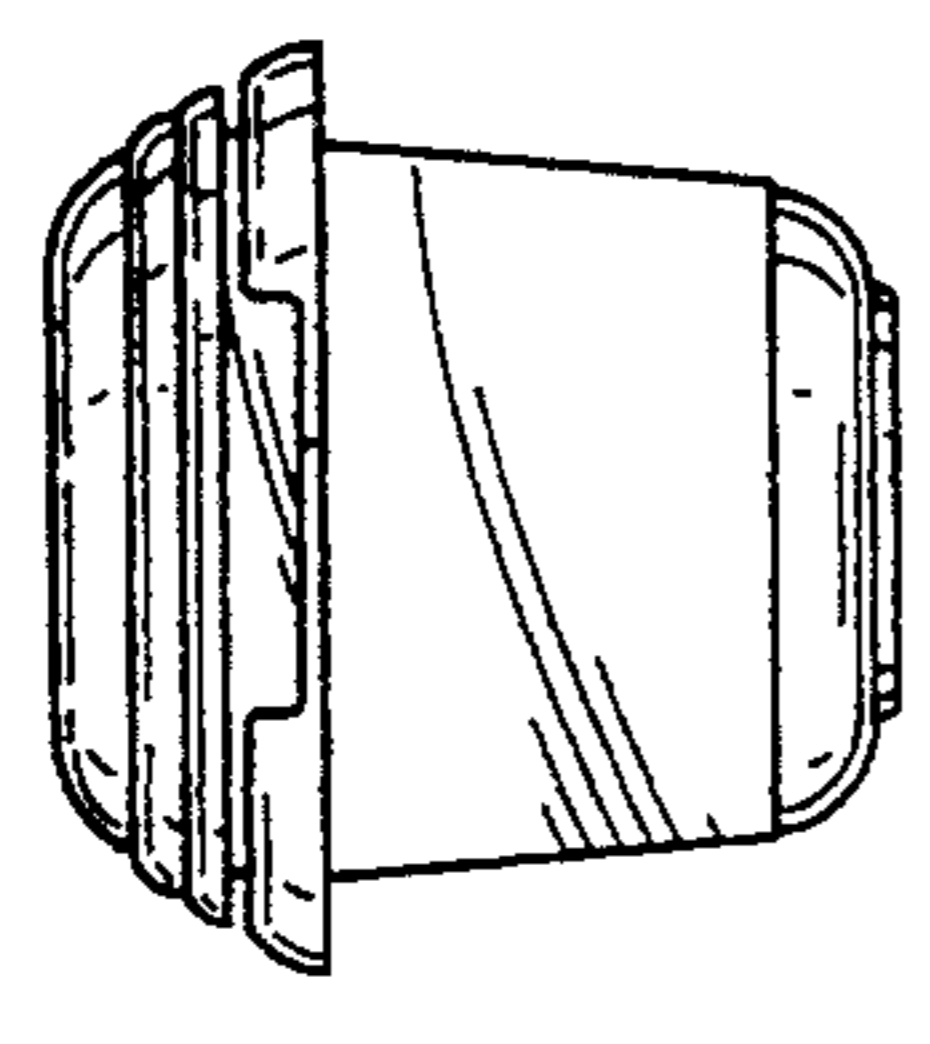


FIG. 4

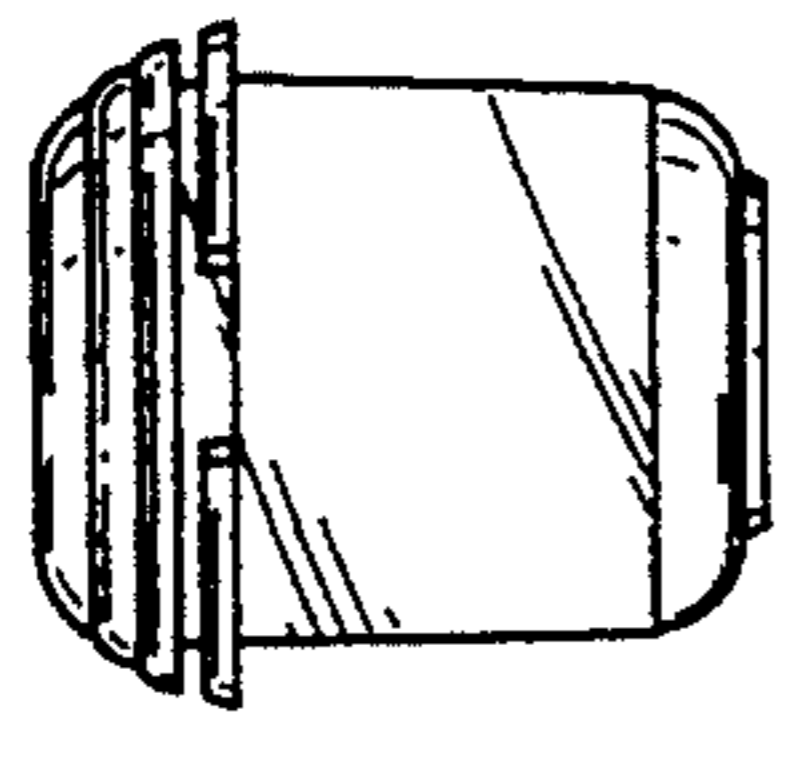


FIG. 5

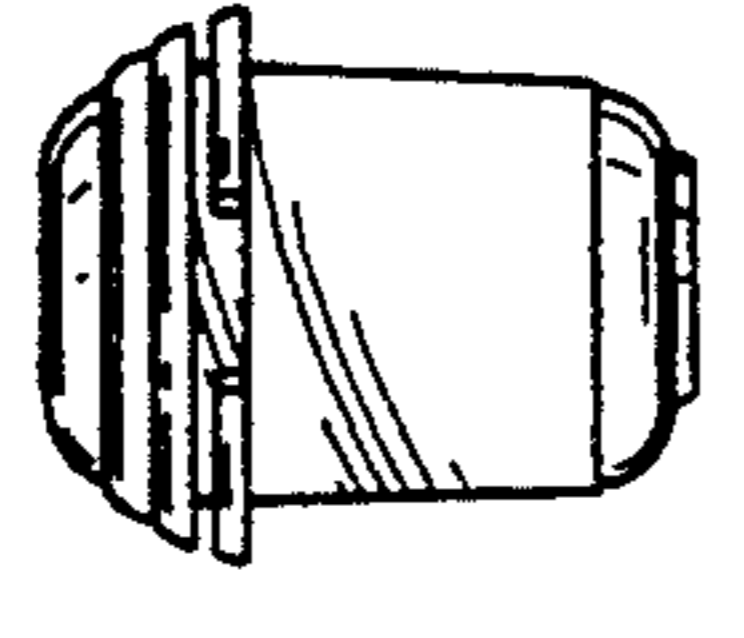


FIG. 6

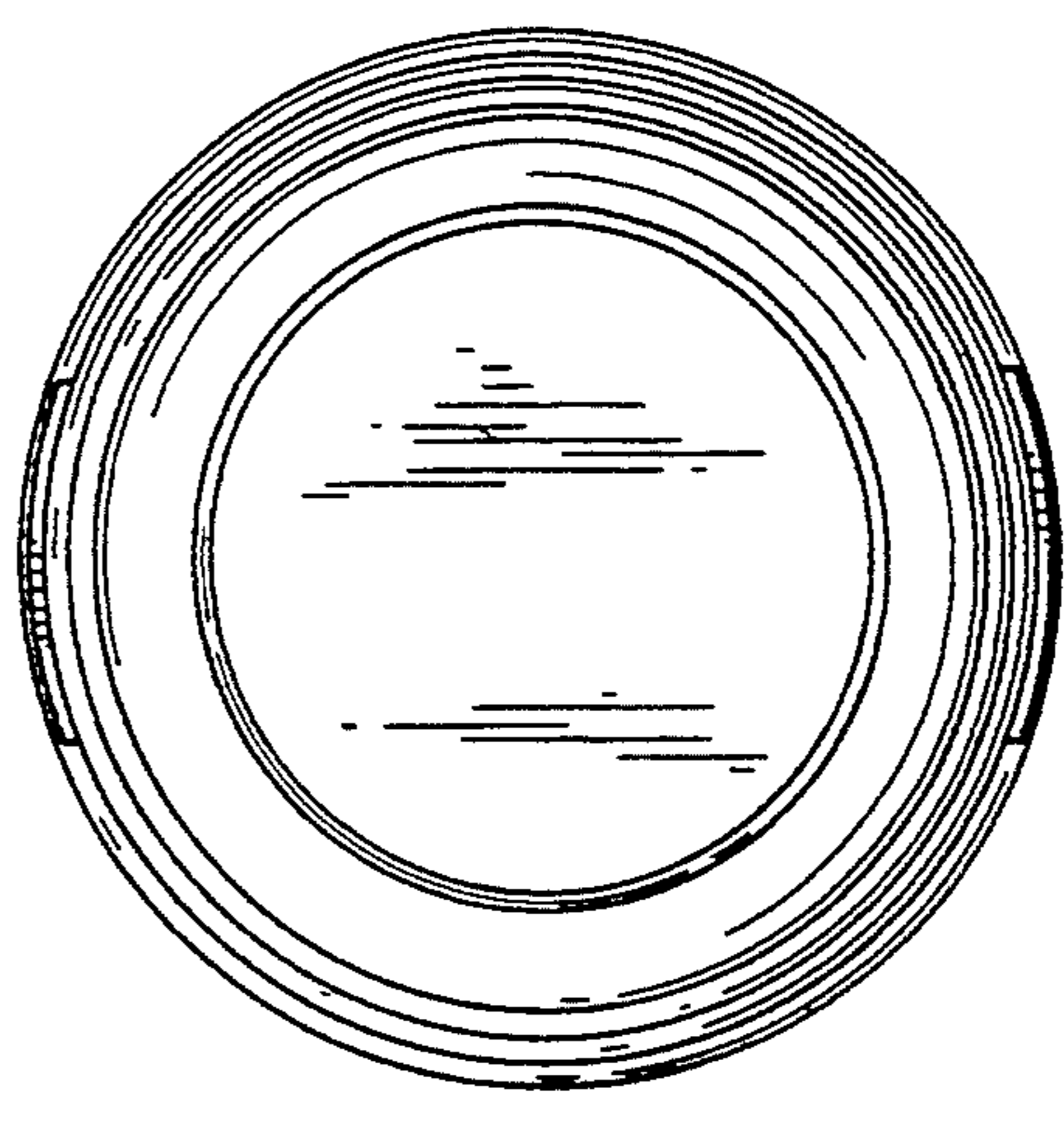


FIG. 7

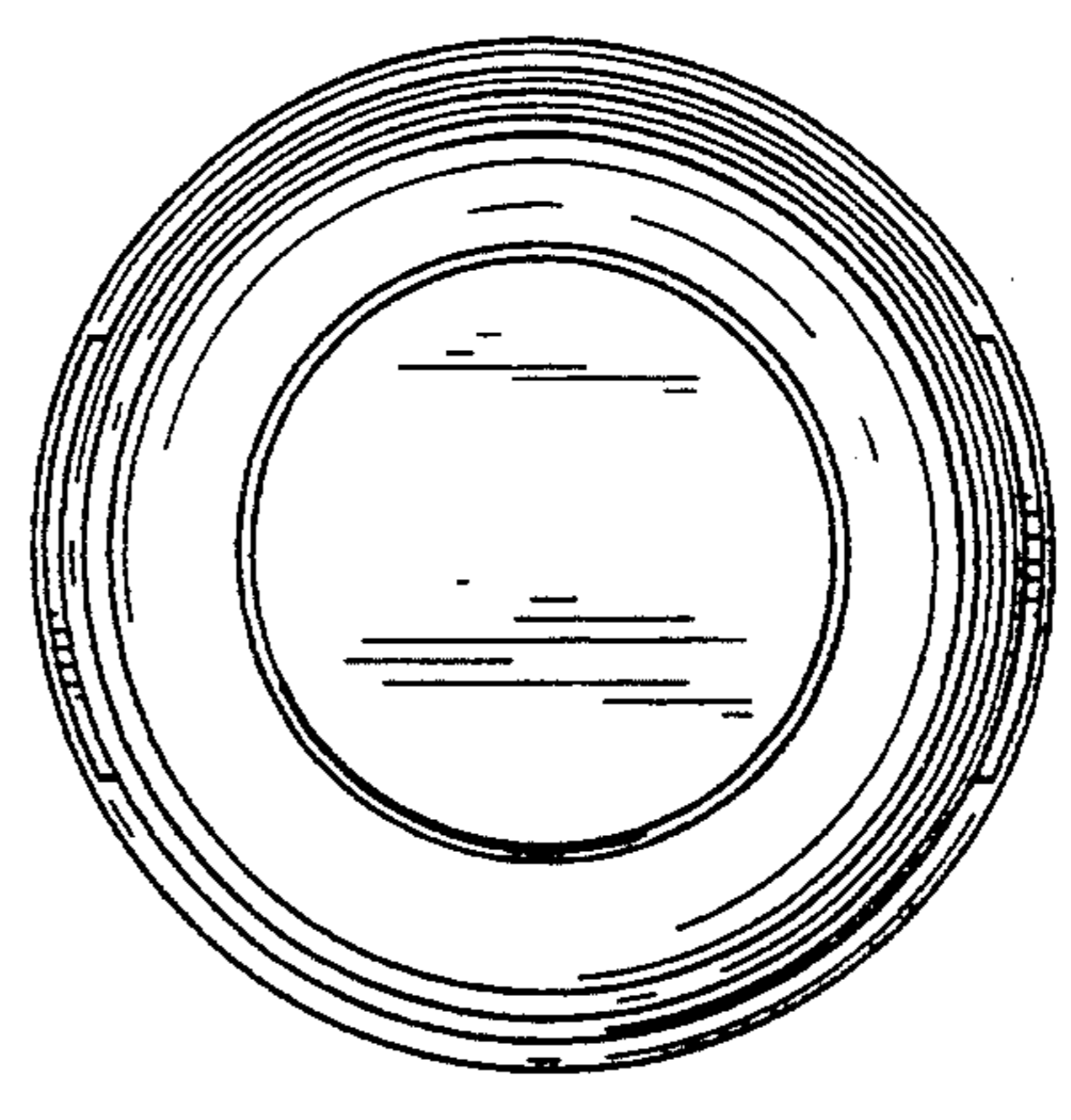


FIG. 8

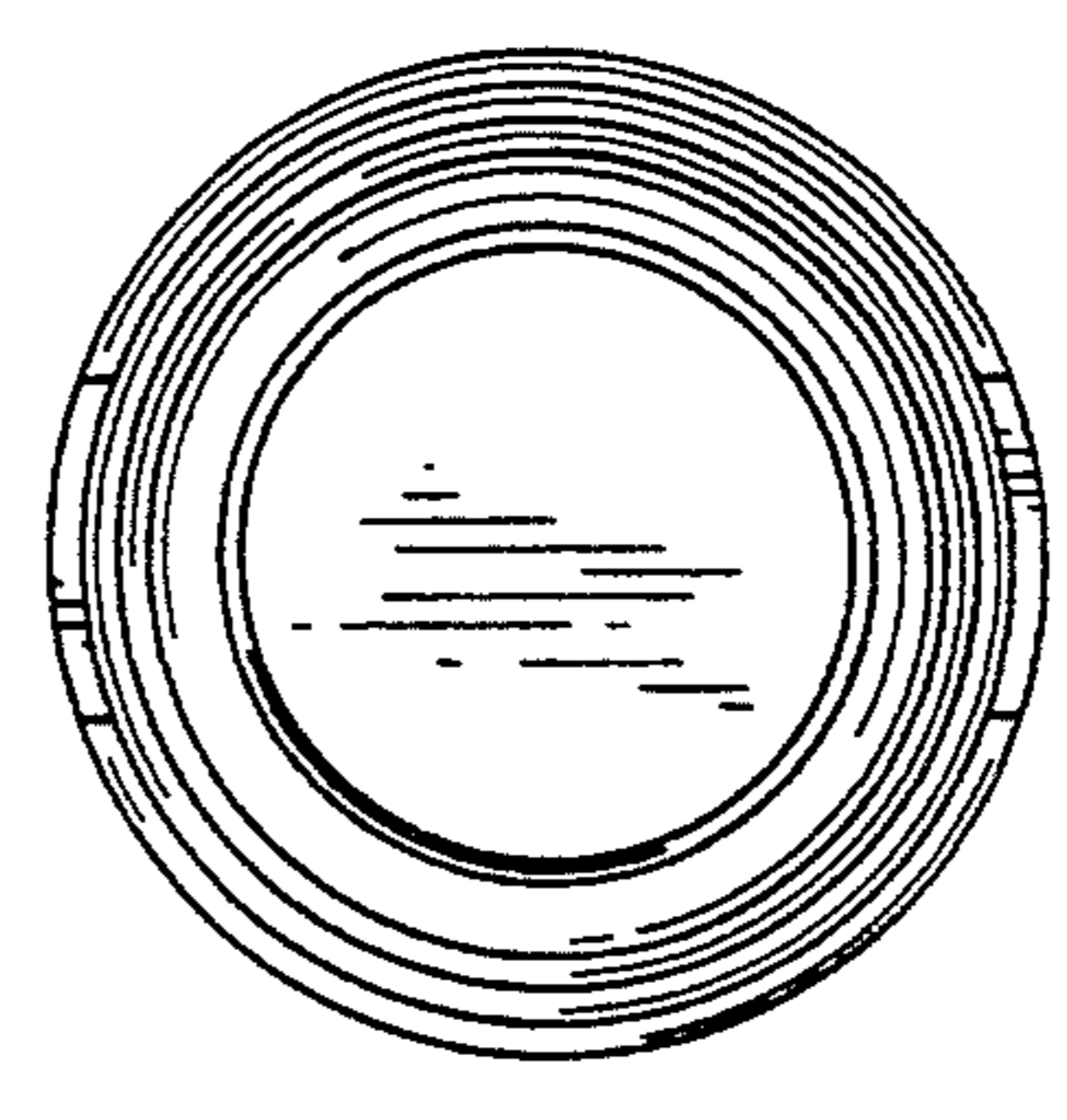


FIG. 9

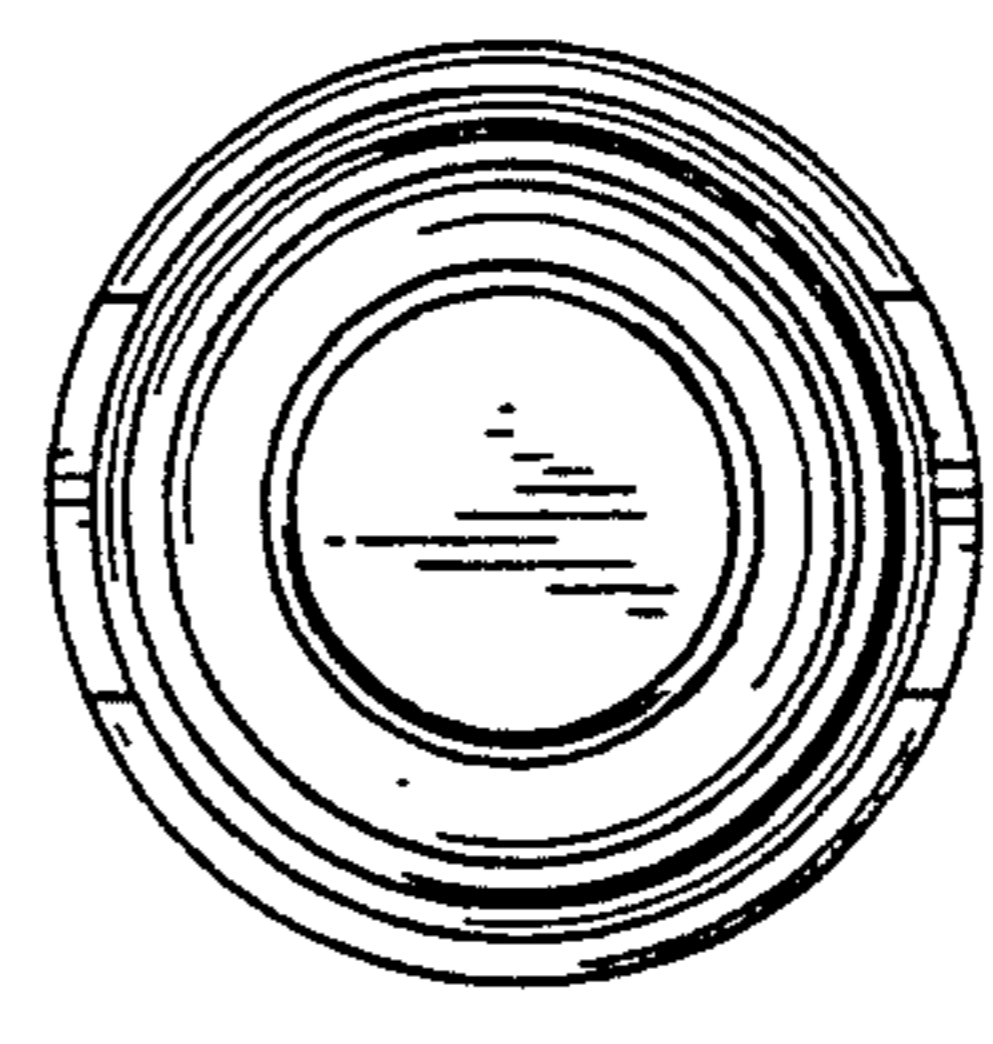


FIG. 10

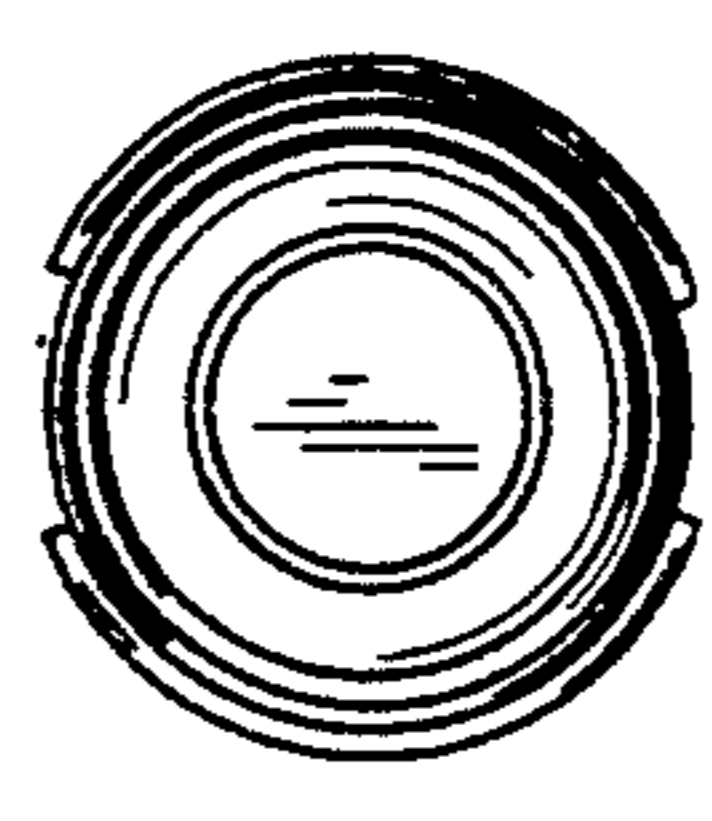


FIG. 11

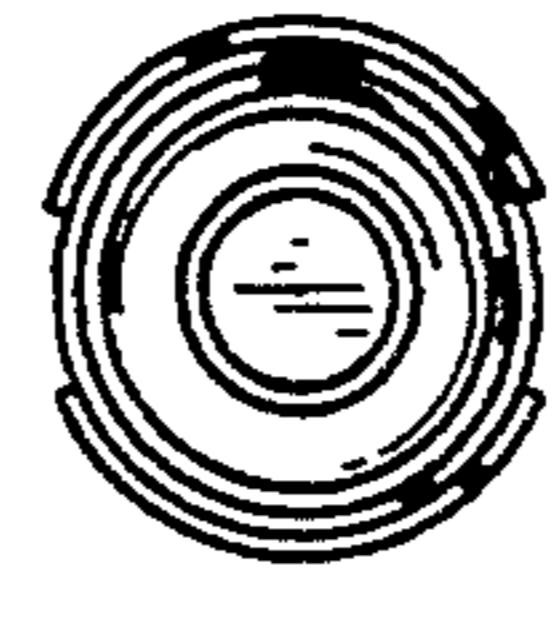


FIG. 12

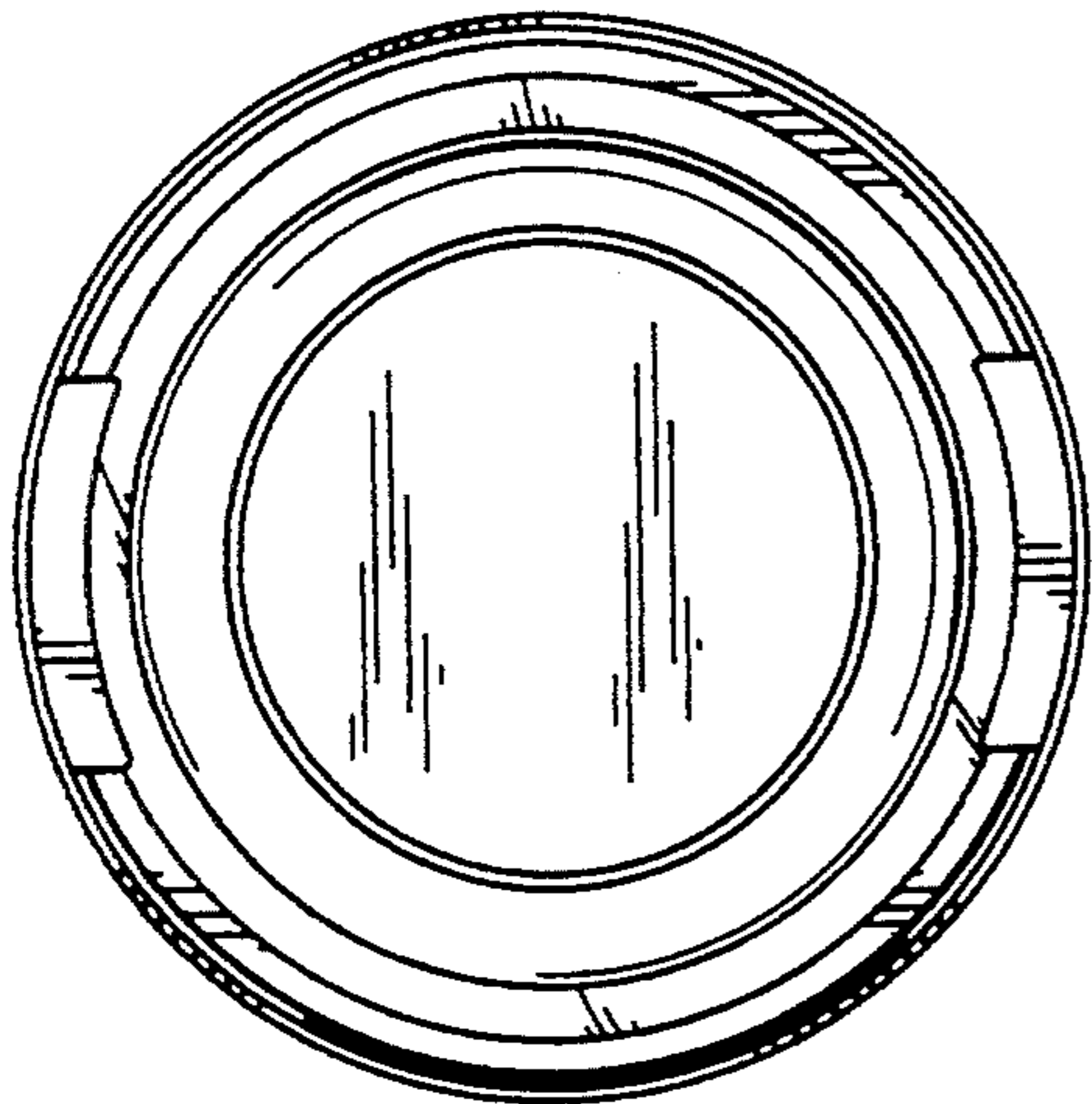


FIG. 13

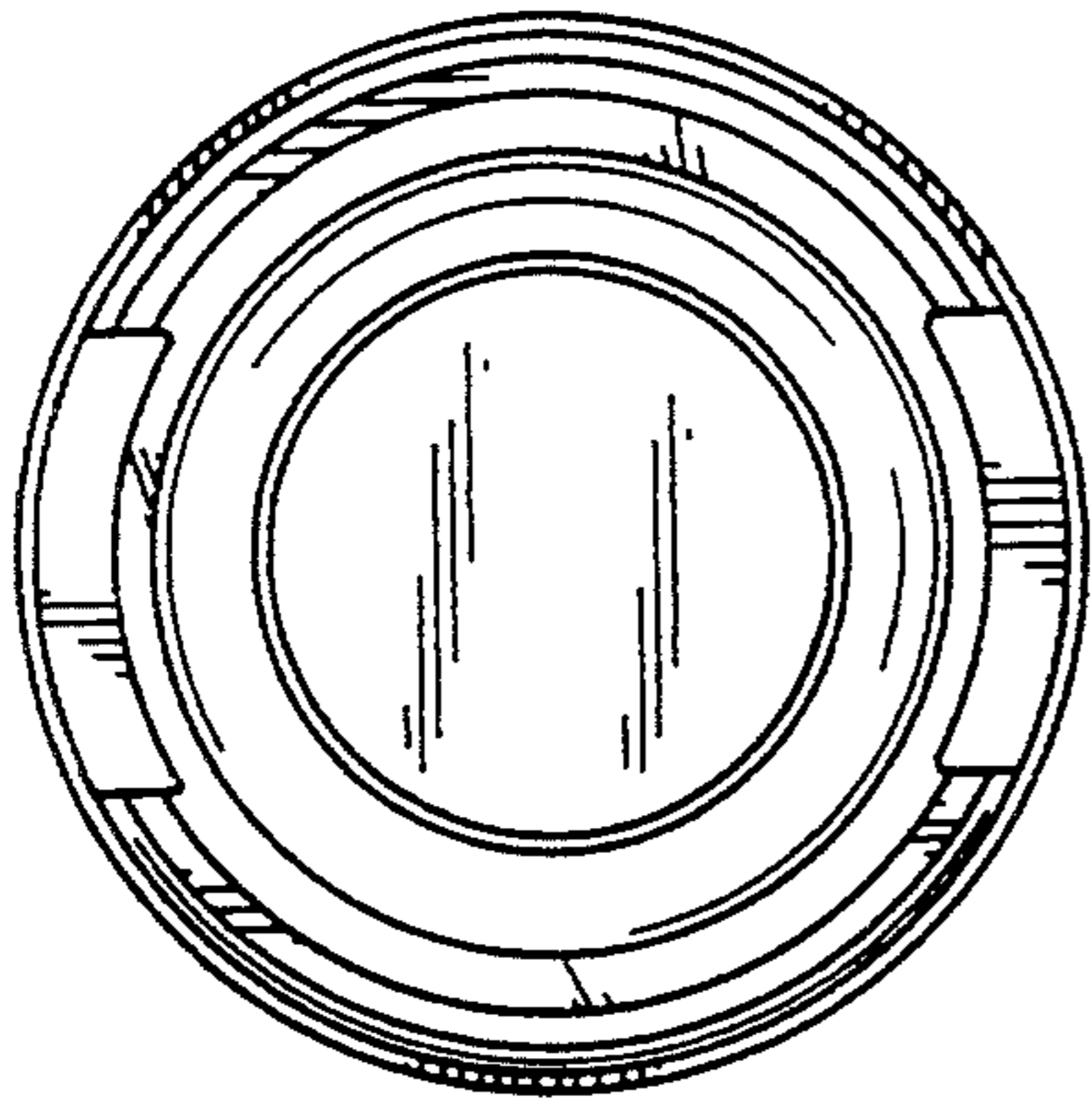


FIG. 14

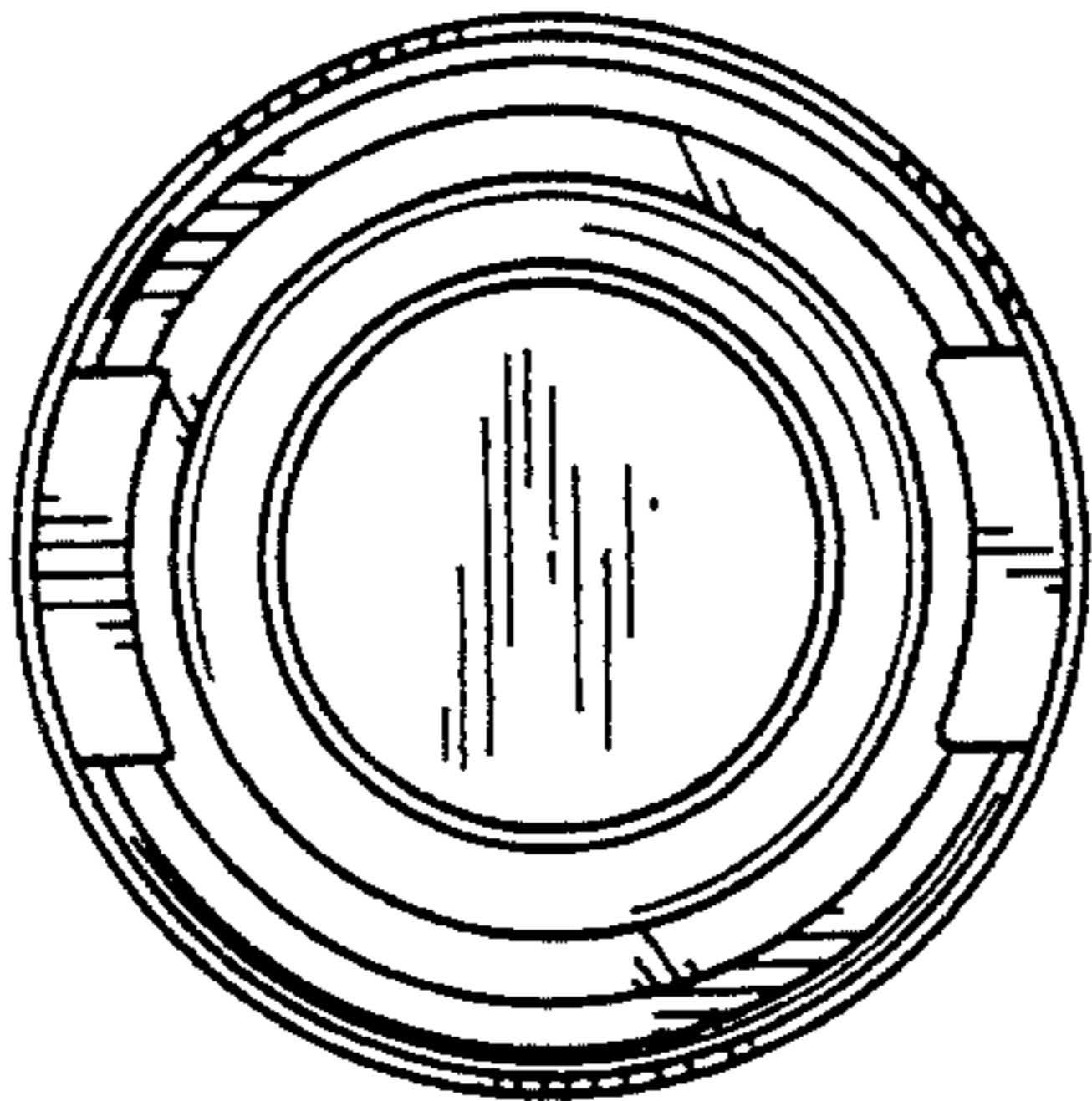


FIG. 15

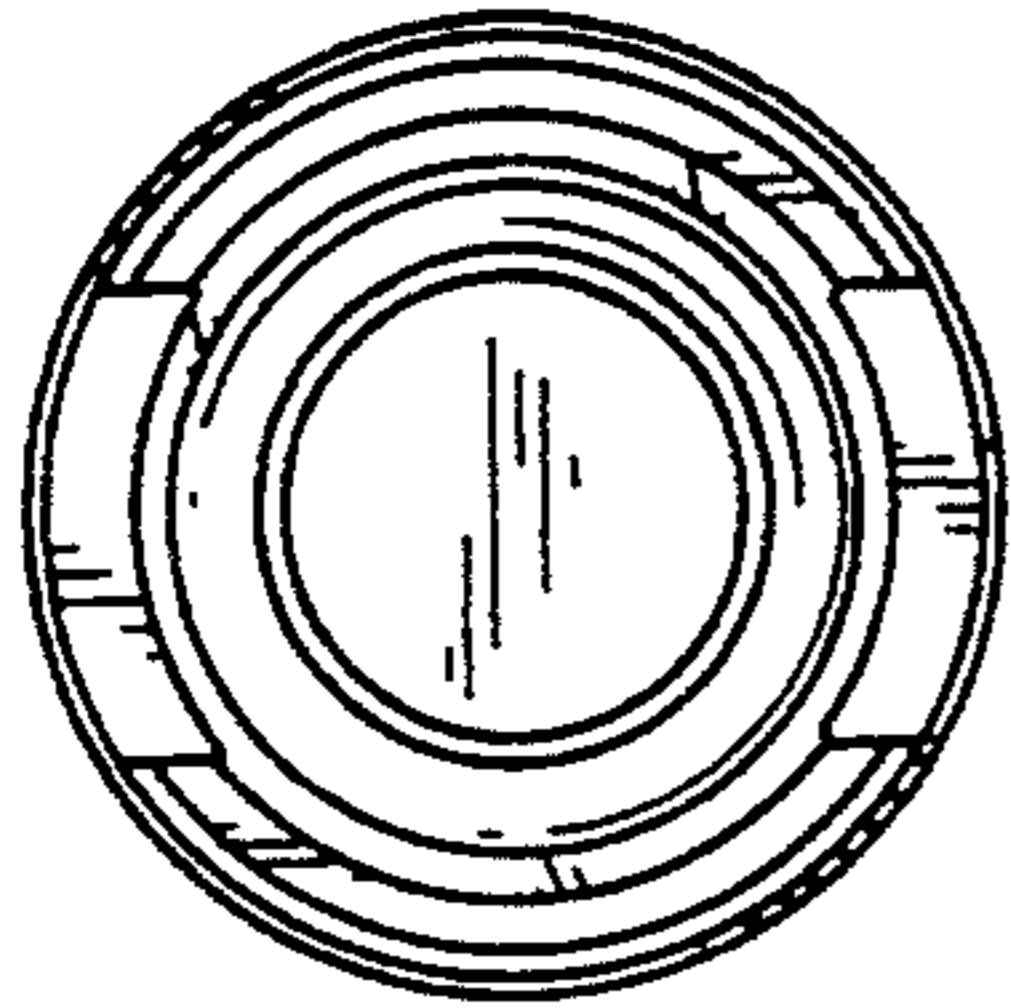


FIG. 16

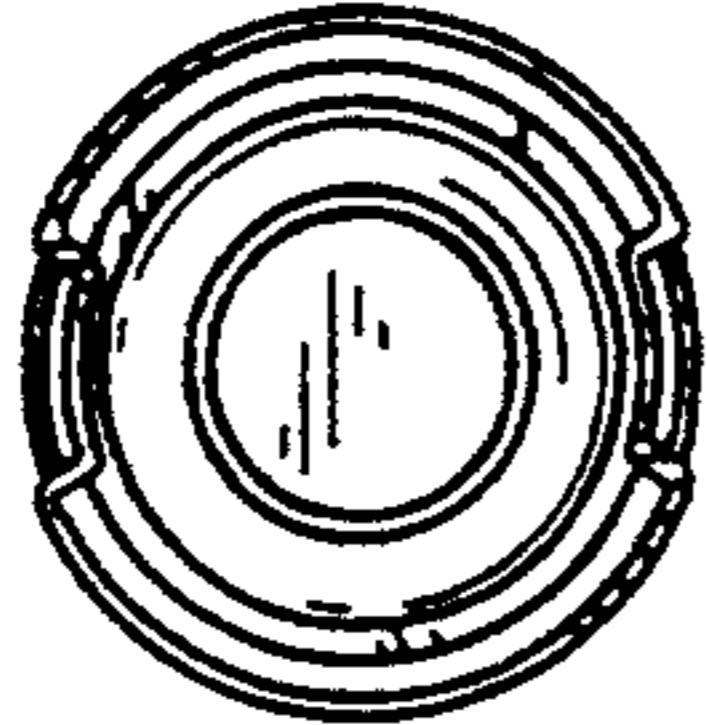


FIG. 17



FIG. 18

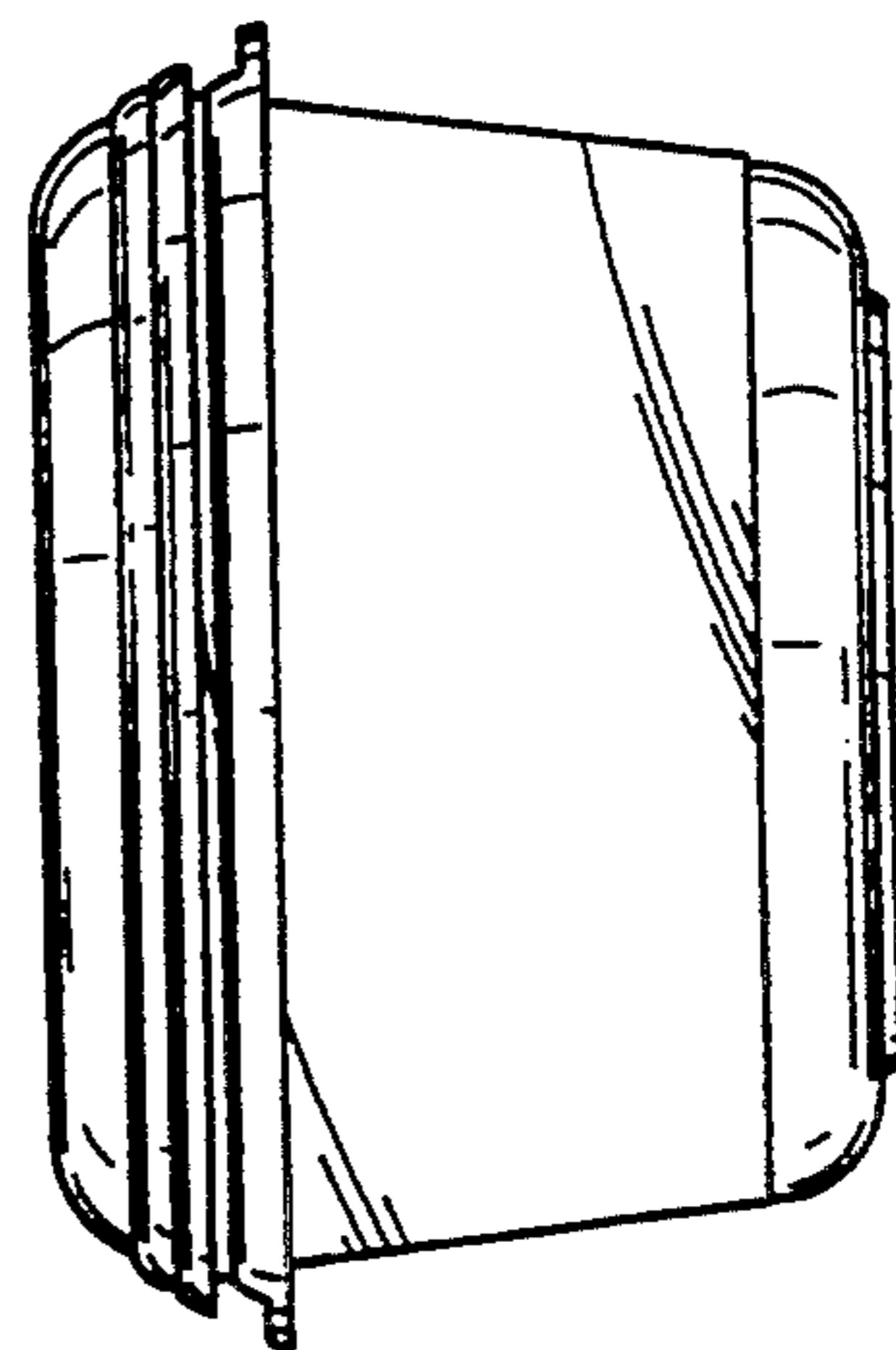


FIG. 19

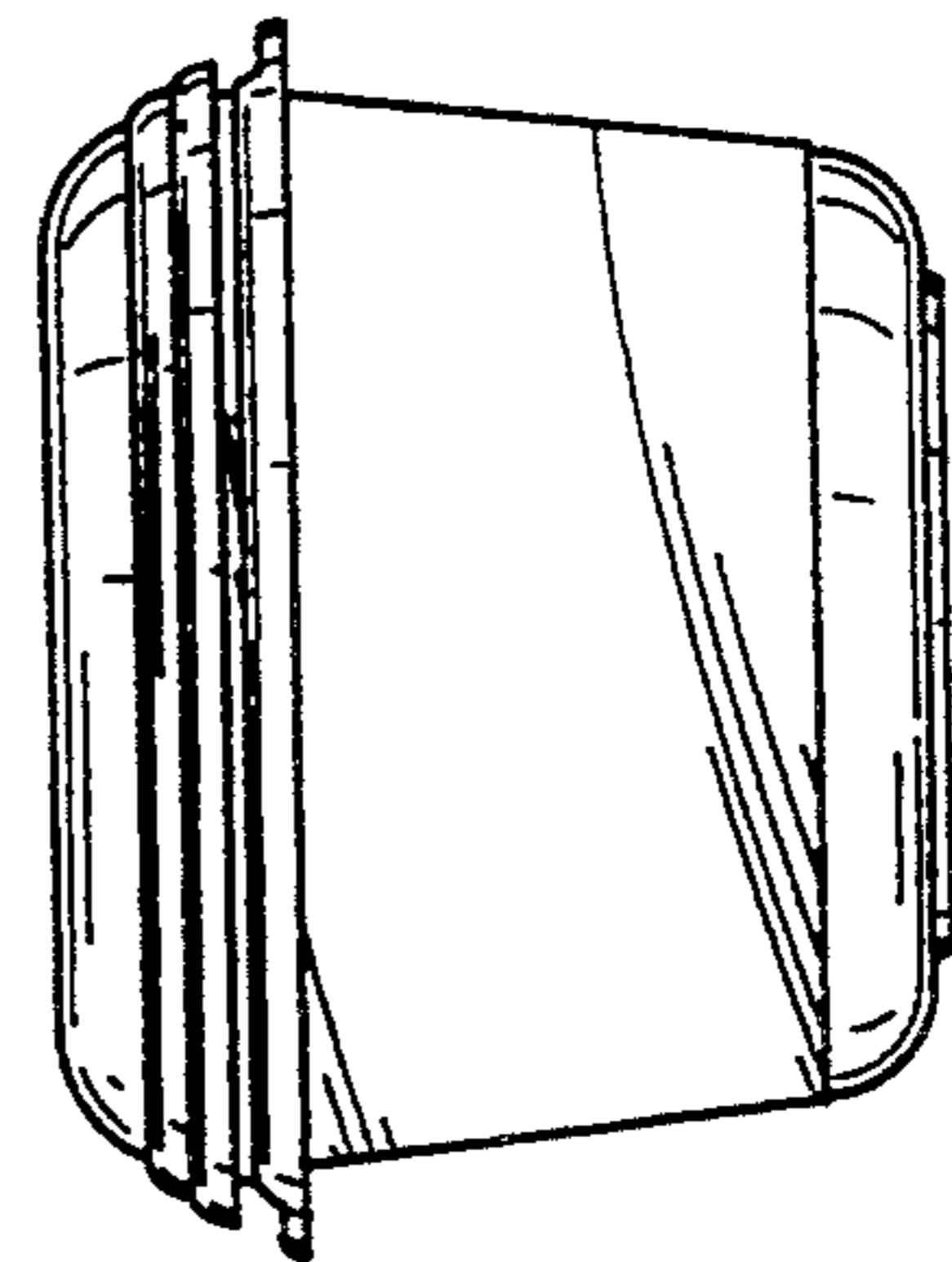


FIG. 20

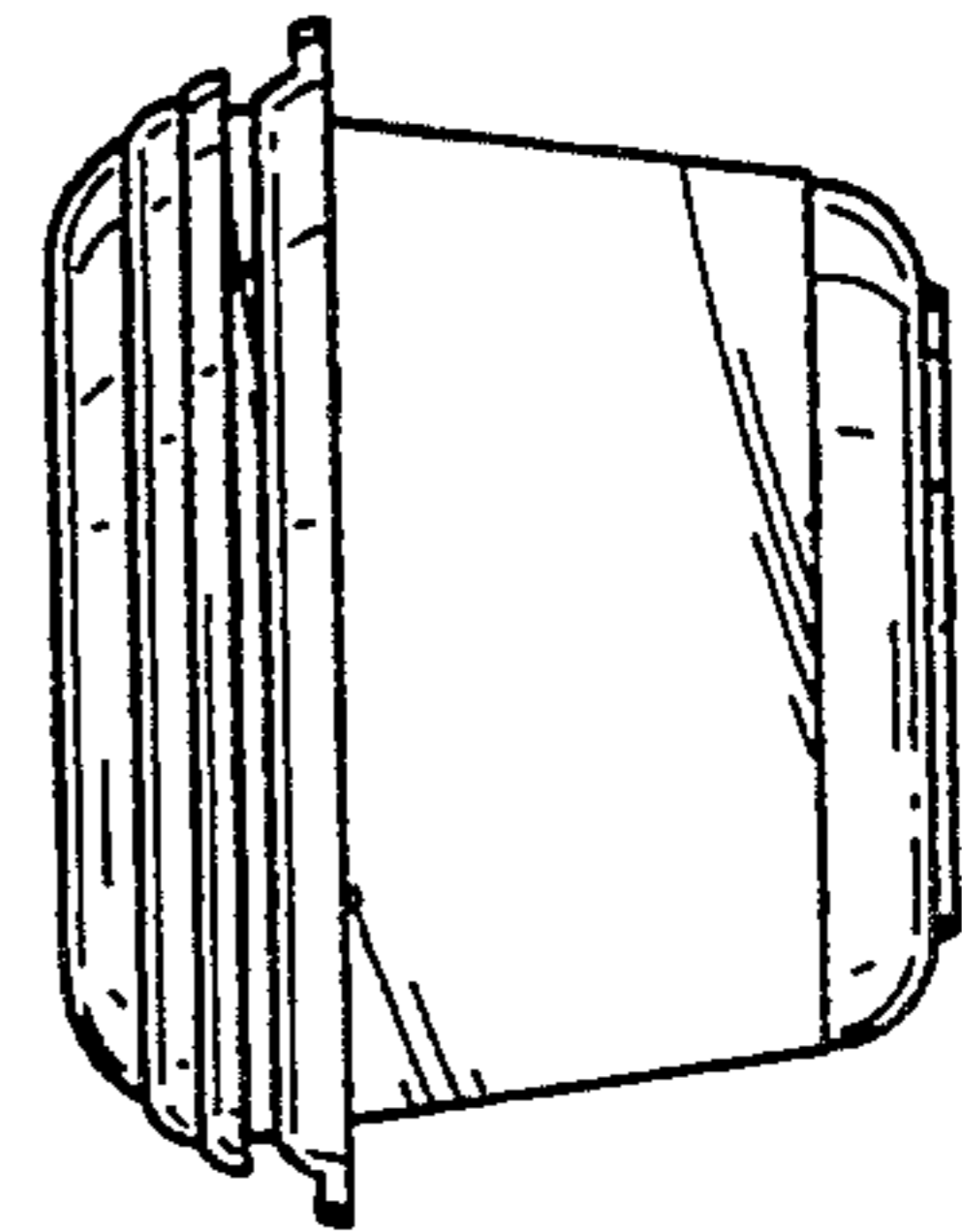


FIG. 21

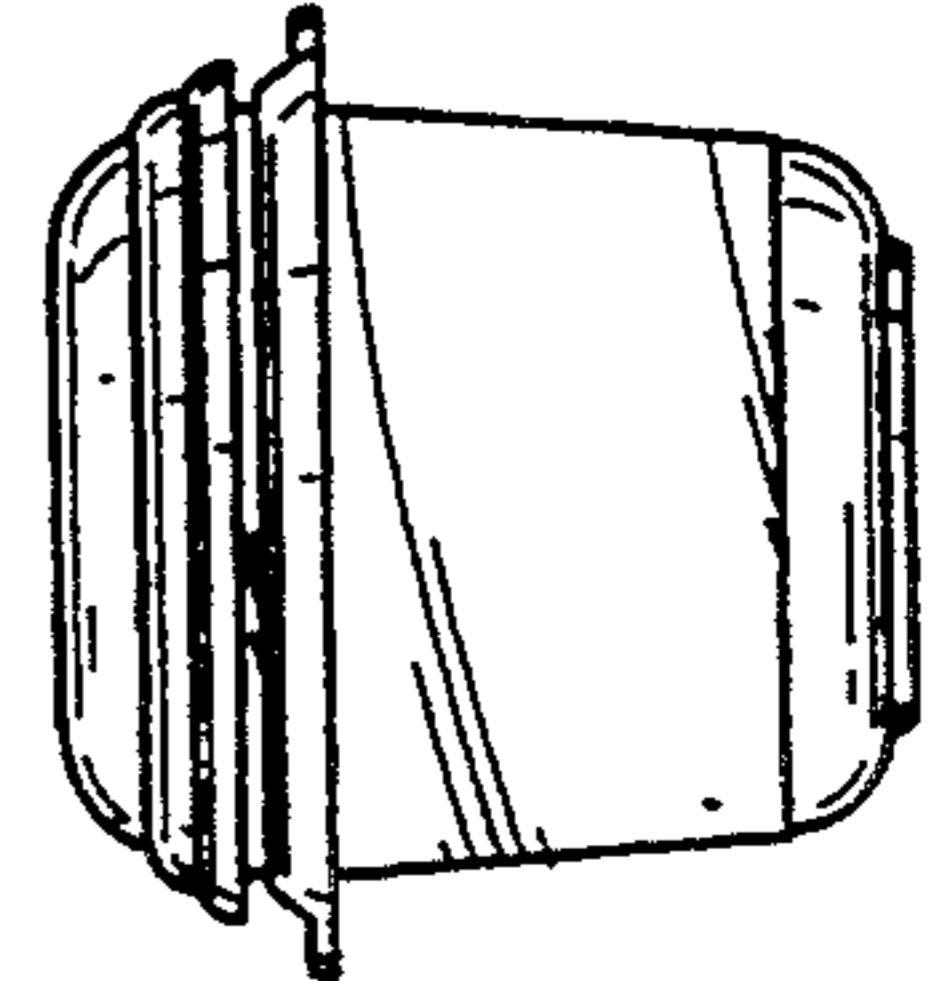


FIG. 22

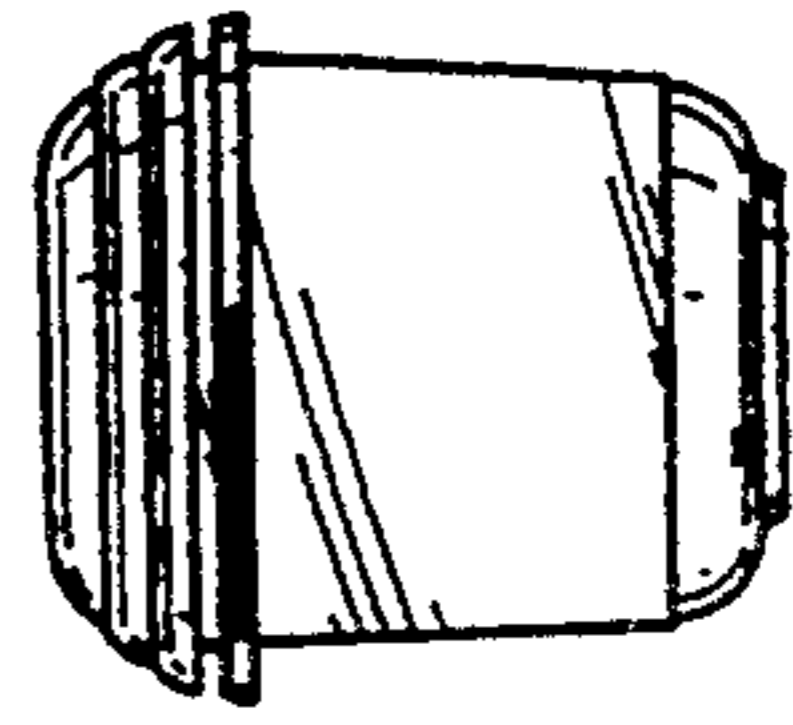


FIG. 23

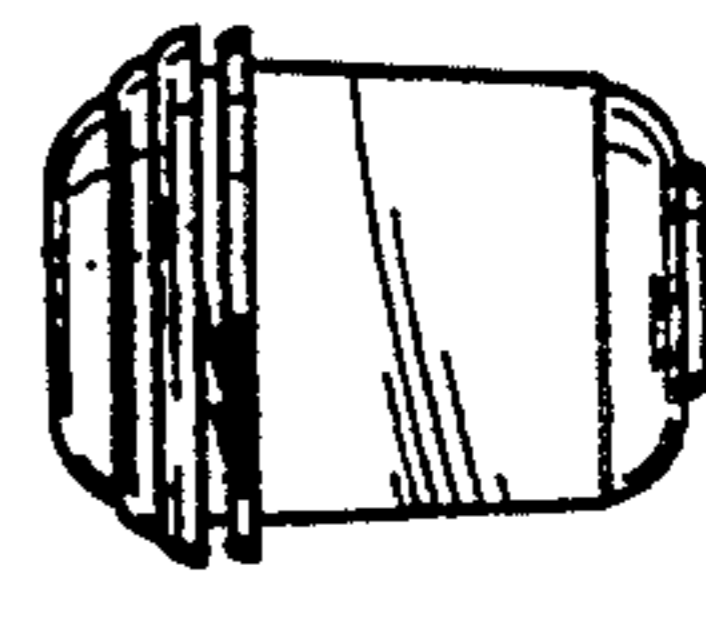


FIG. 24

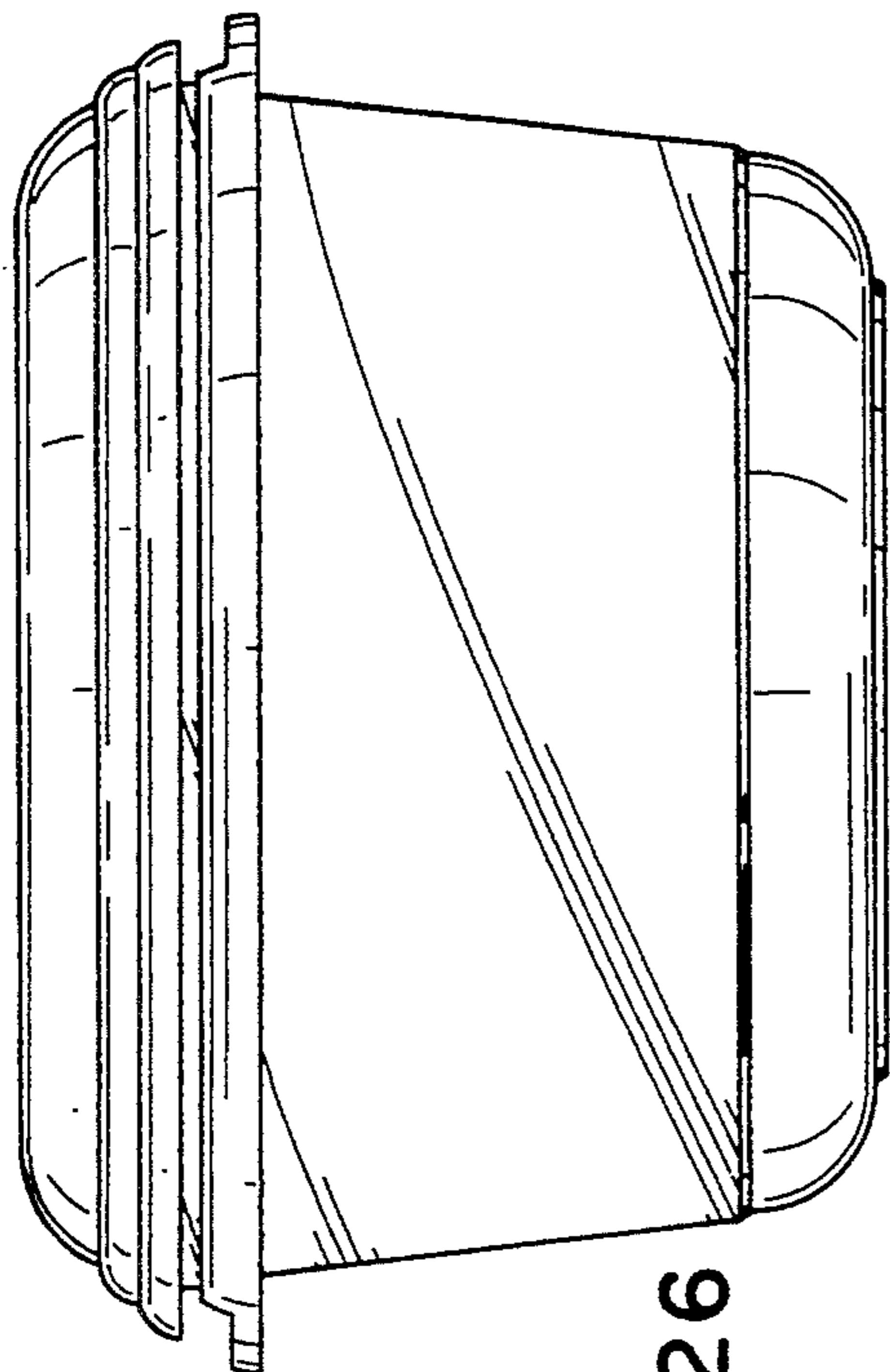


FIG. 26

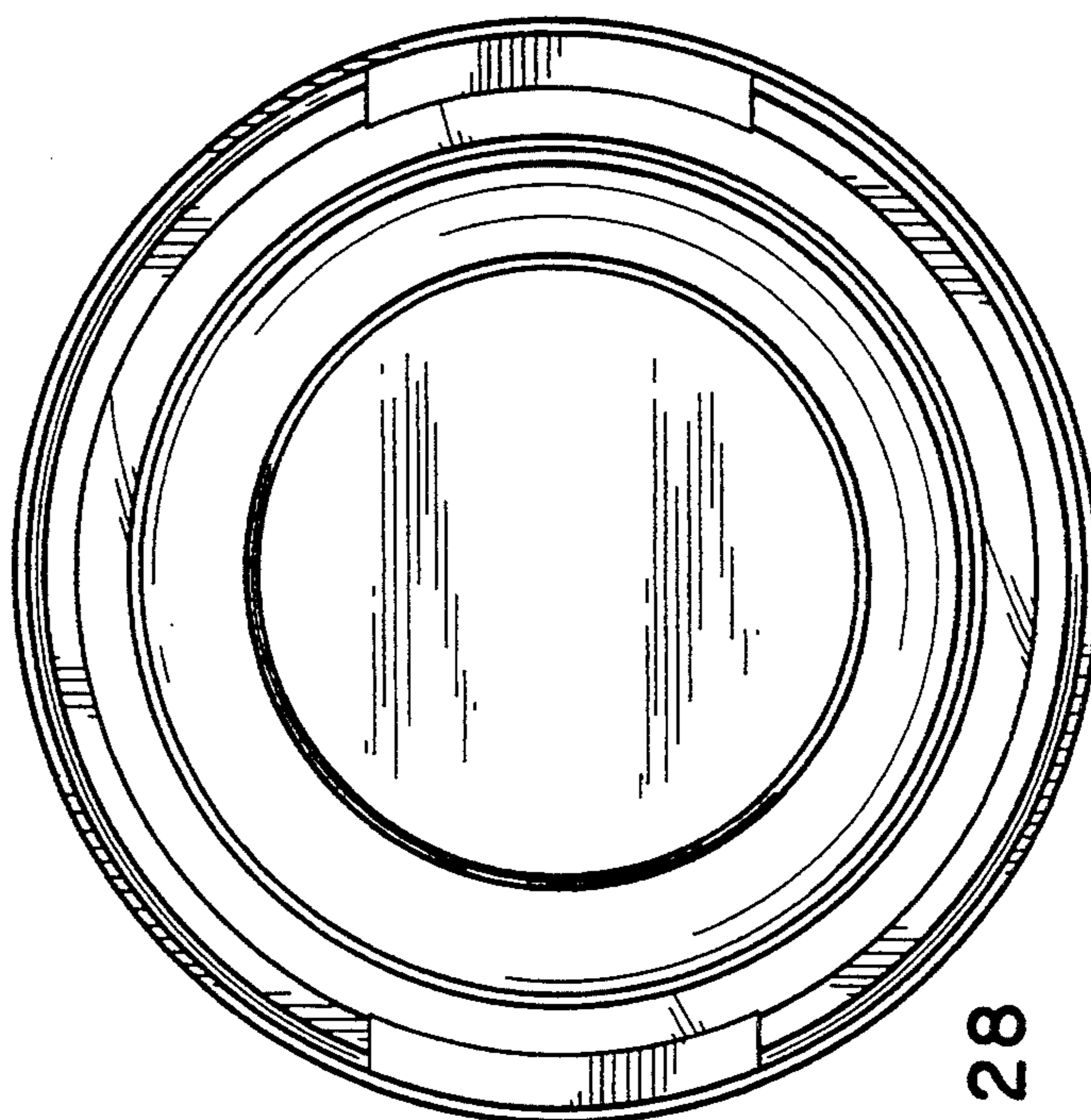


FIG. 28

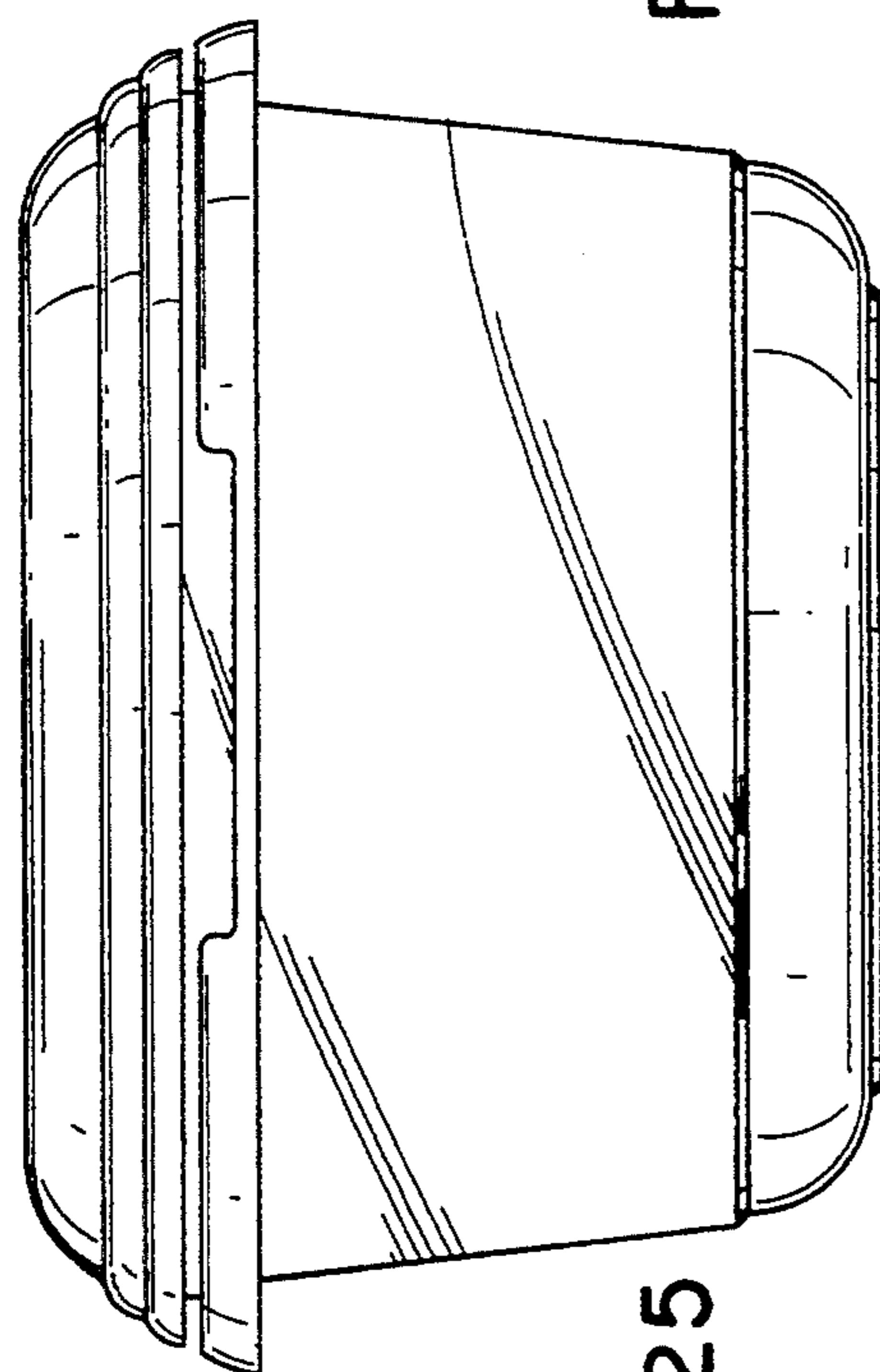


FIG. 25

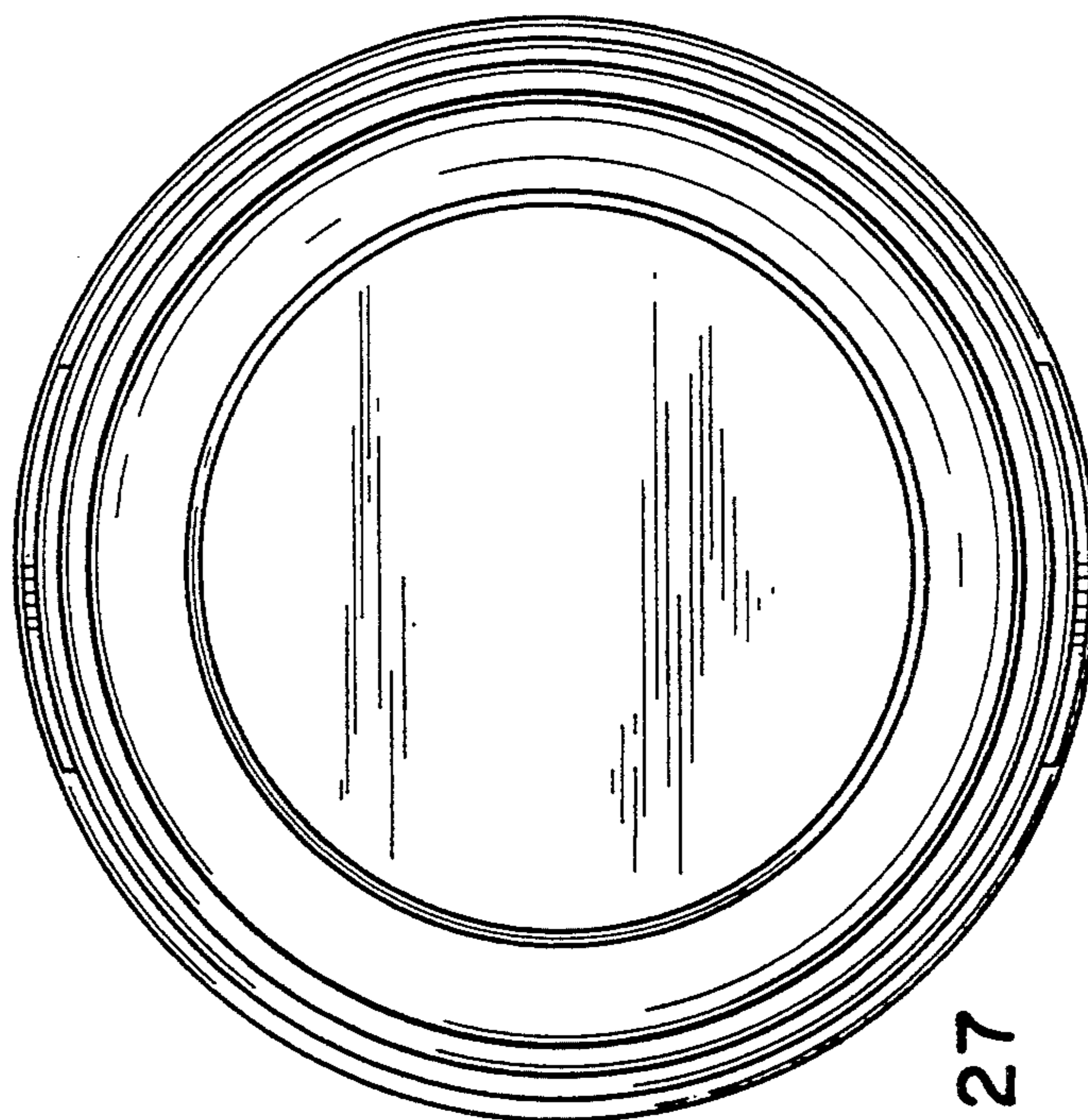


FIG. 27

FIG. 29

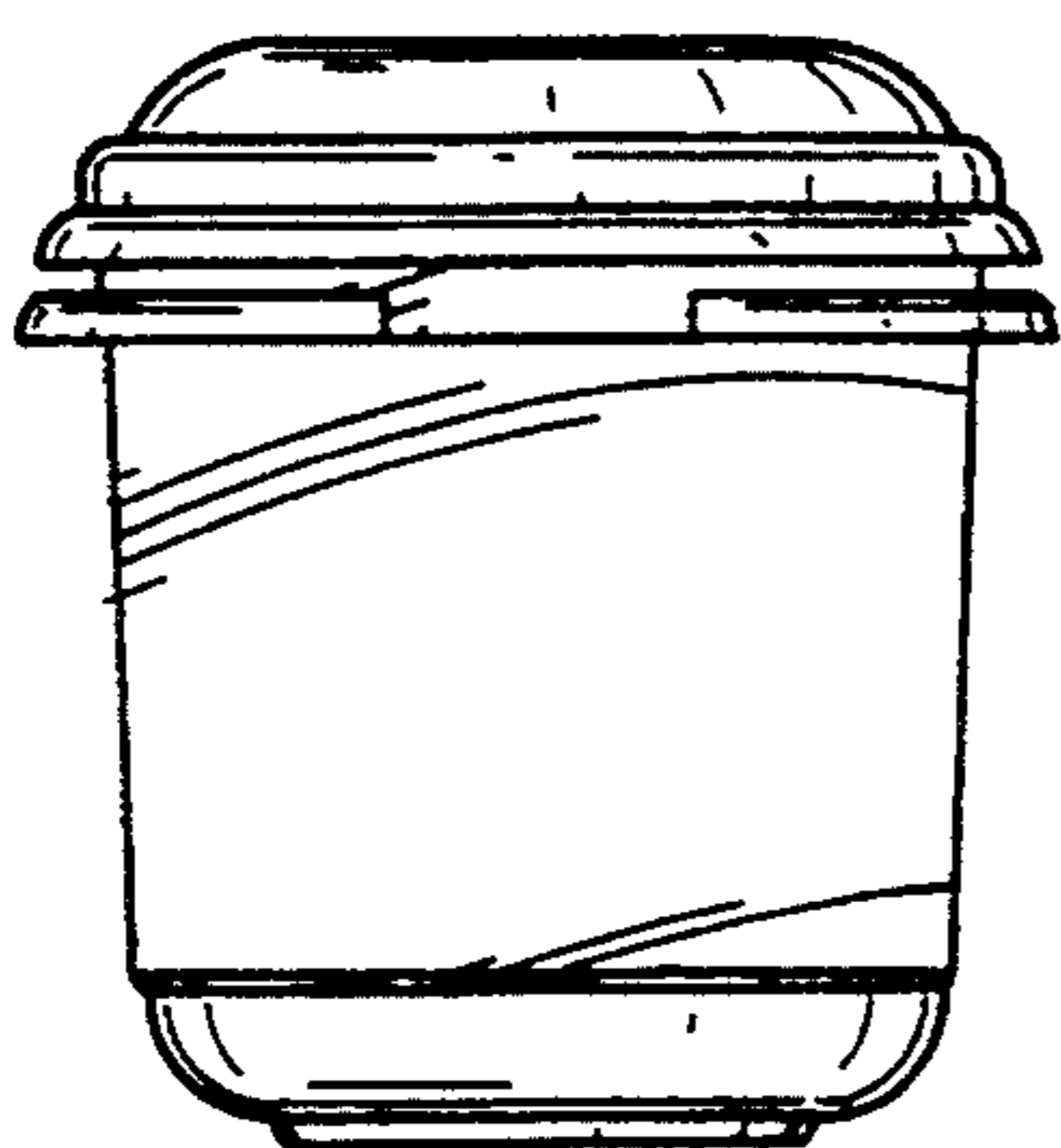


FIG. 30

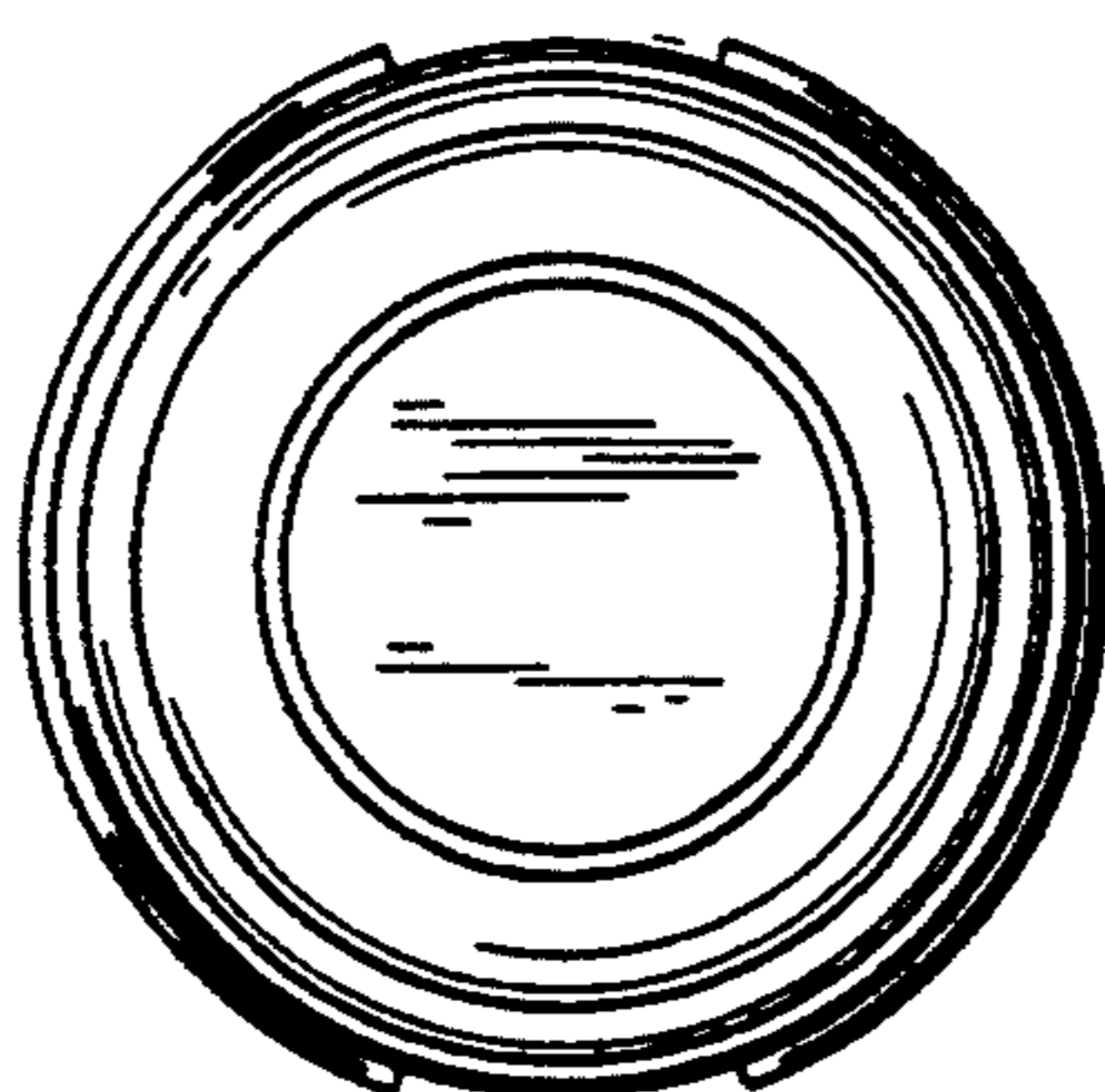
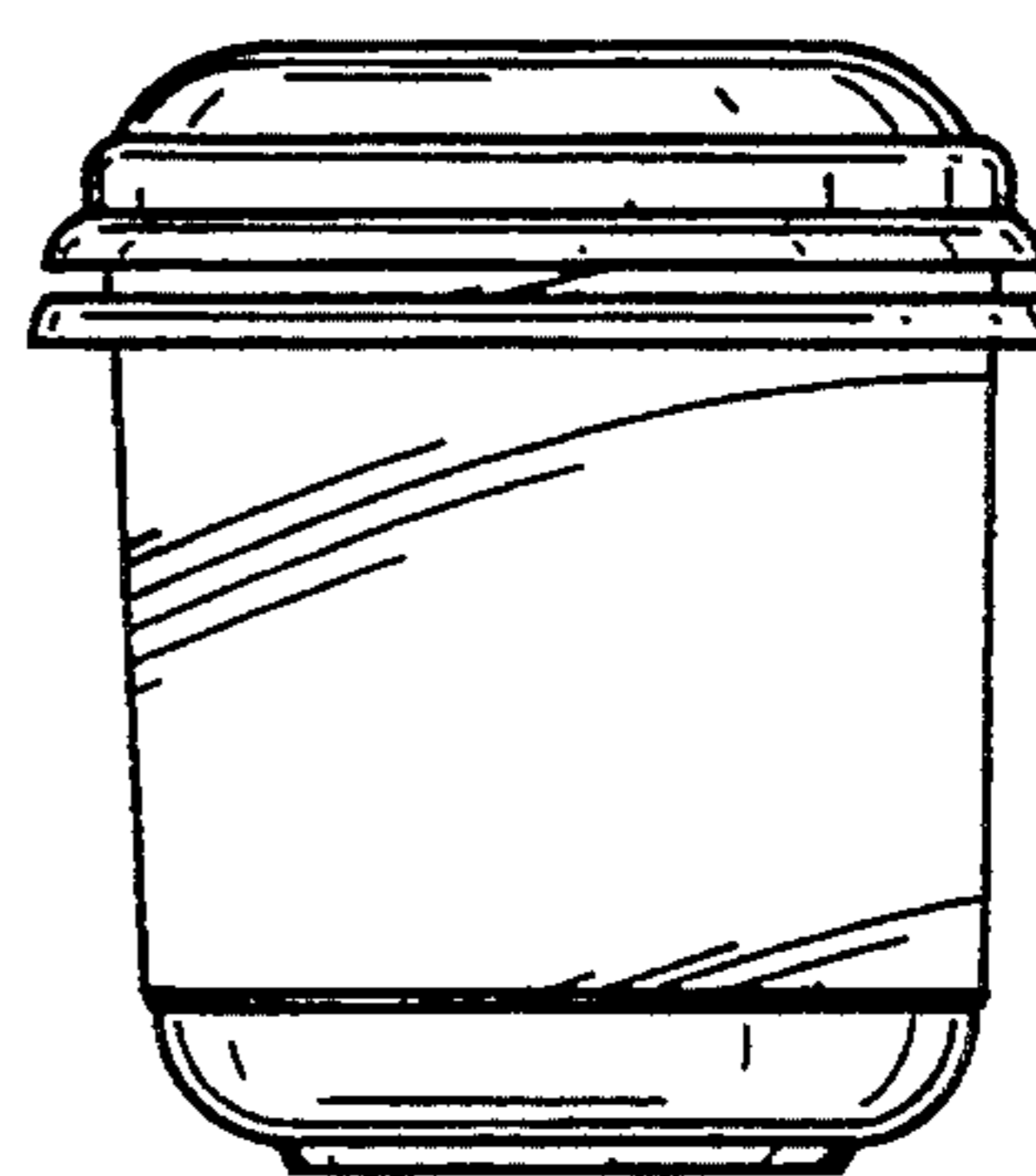


FIG. 31

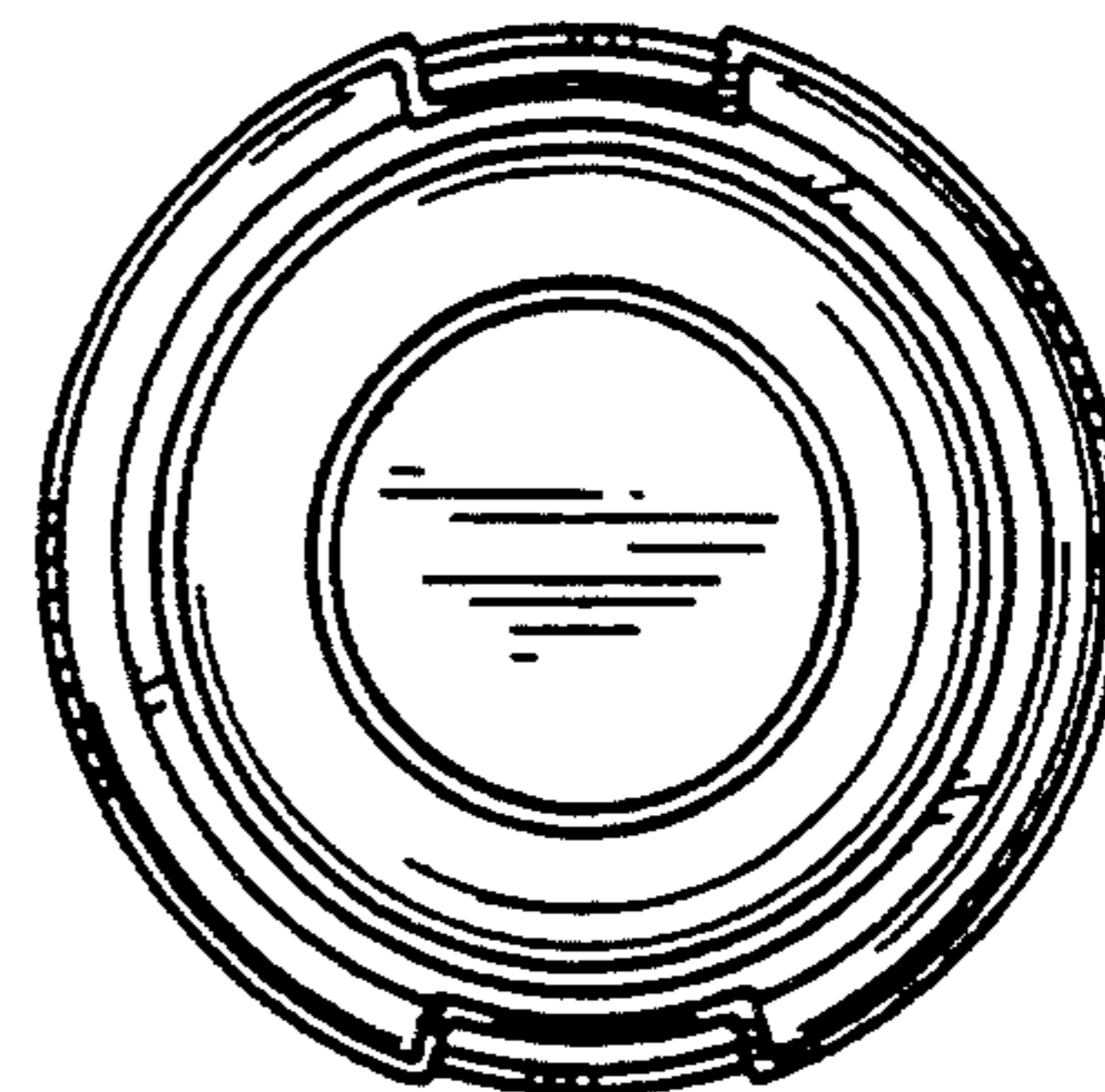


FIG. 32