



US00D358296S

# United States Patent [19]

[11] Patent Number: **Des. 358,296**

Garneau

[45] Date of Patent: **\*\* May 16, 1995**

[54] **CYCLIST'S BOTTLE**  
[75] Inventor: **Louis Garneau,**  
St-Augustin-de-Desmaures, Canada

D. 339,503 9/1993 Callaway ..... D7/511 X  
4,448,316 5/1984 Hiroshige ..... 220/708 X  
4,508,235 4/1985 Steele et al. .... D7/510 X  
5,277,324 1/1994 Cash ..... 220/729 X

[73] Assignee: **Vetements Louis Garneau Inc.,**  
Quebec, Canada

[\*\*] Term: **14 Years**

[21] Appl. No.: **5,255**

[22] Filed: **Feb. 26, 1993**

[30] **Foreign Application Priority Data**

Oct. 22, 1992 [CA] Canada ..... 22-10-92-2

[52] U.S. Cl. .... **D7/510; D7/511**

[58] Field of Search ..... D7/509, 510, 511, 536,  
D7/612, 614, 629, 300, 2.3, 391, 392, 310, 392.1;  
D9/502, 443, 557, 440, 538, 539, 447; 220/716,  
729, 717, 708; D12/114, 411; D24/197

[56] **References Cited**

**U.S. PATENT DOCUMENTS**

- D. 194,811 3/1963 Worthington ..... D9/502
- D. 197,355 1/1964 Green ..... D9/502
- D. 211,004 5/1969 Campbell ..... D9/538
- D. 223,900 6/1972 Douglas et al. .... D9/447 X
- D. 226,555 3/1973 Weber ..... D9/447
- D. 229,548 12/1973 Kranz ..... D9/502
- D. 272,139 1/1984 Boughton ..... D7/510
- D. 293,890 1/1988 Rogler ..... D9/557 X
- D. 300,118 3/1989 Venne et al. .... D9/502
- D. 337,273 7/1993 Thatcher ..... D9/557 X
- D. 339,068 9/1993 Bell et al. .... D7/502 X

**OTHER PUBLICATIONS**

Bar Cage Bottle, *Bicycling* Dec. 1985 p. 10.

*Primary Examiner*—Alan P. Douglas

*Assistant Examiner*—M. N. Pandozzi

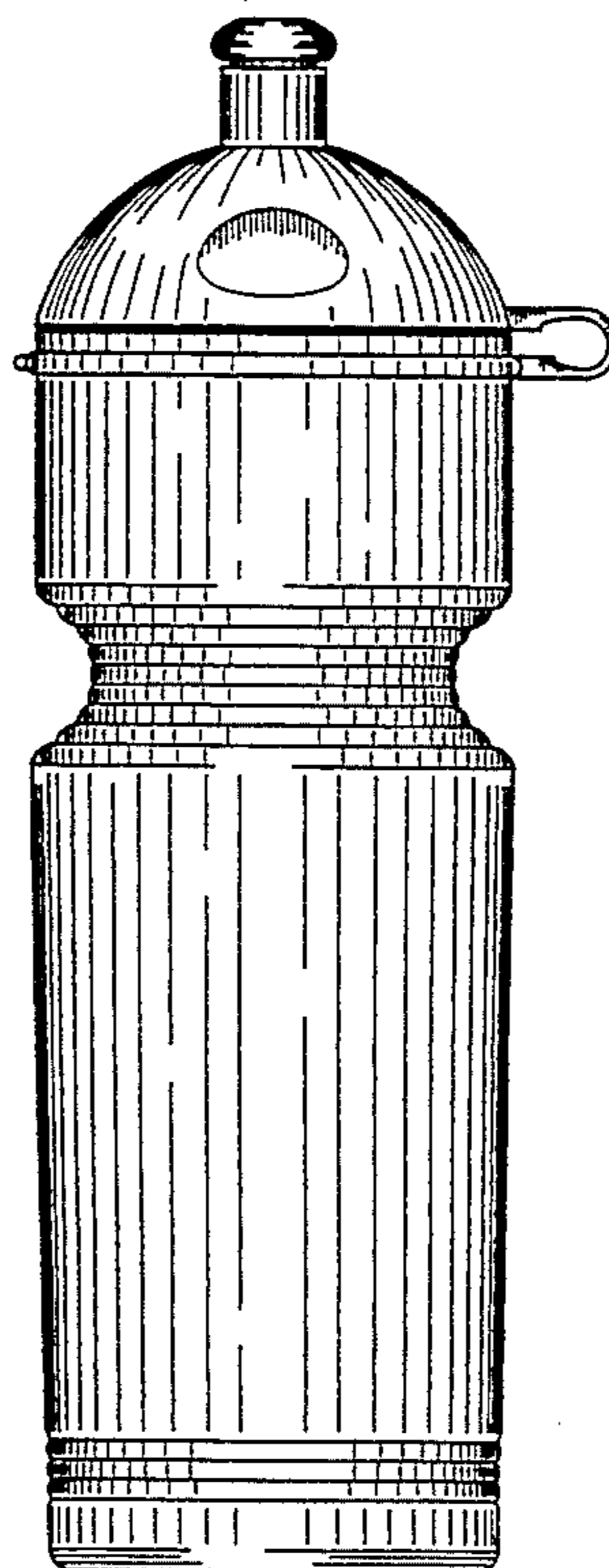
*Attorney, Agent, or Firm*—Collard & Roe

[57] **CLAIM**

The ornamental design for a cyclist's bottle, as shown and described.

**DESCRIPTION**

FIG. 1 shows a front perspective view of a design for a cyclist's bottle;  
 FIG. 2 shows a right-side view of the cyclist's bottle of FIG. 1 with the top closed;  
 FIG. 3 shows a right-side view of the cyclist's bottle of FIG. 1 with the top open;  
 FIG. 4 shows a top view of the cyclist's bottle of FIG. 1 with the top closed;  
 FIG. 5 shows a top view of the cyclist's bottle with top open of FIG. 1;  
 FIG. 6 shows a left-side view of the cyclist's bottle top closed;  
 FIG. 7 shows a left-side view of the cyclist's bottle with the top open of FIG. 1; and,  
 FIG. 8 shows a bottom view of the cyclist's bottle of FIG. 1.



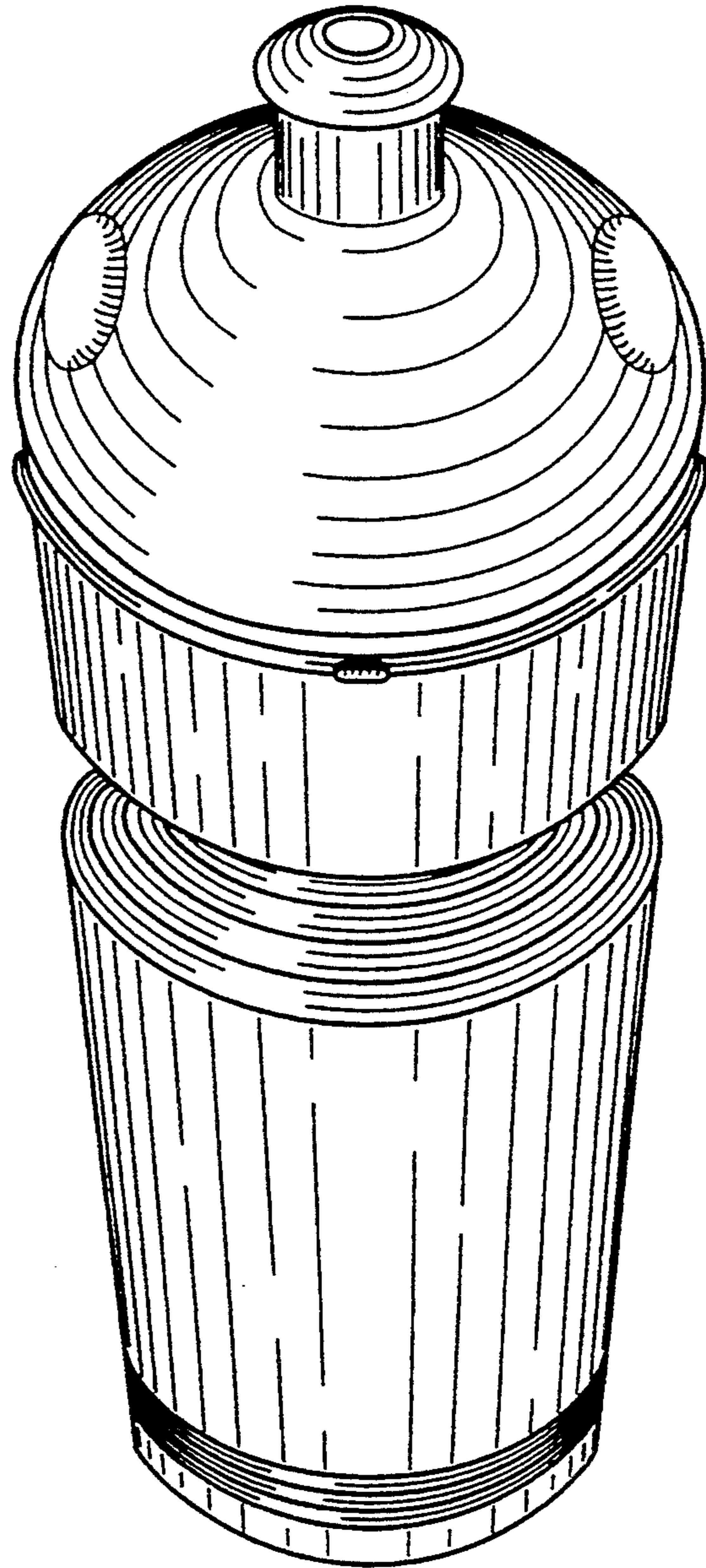


Fig.1

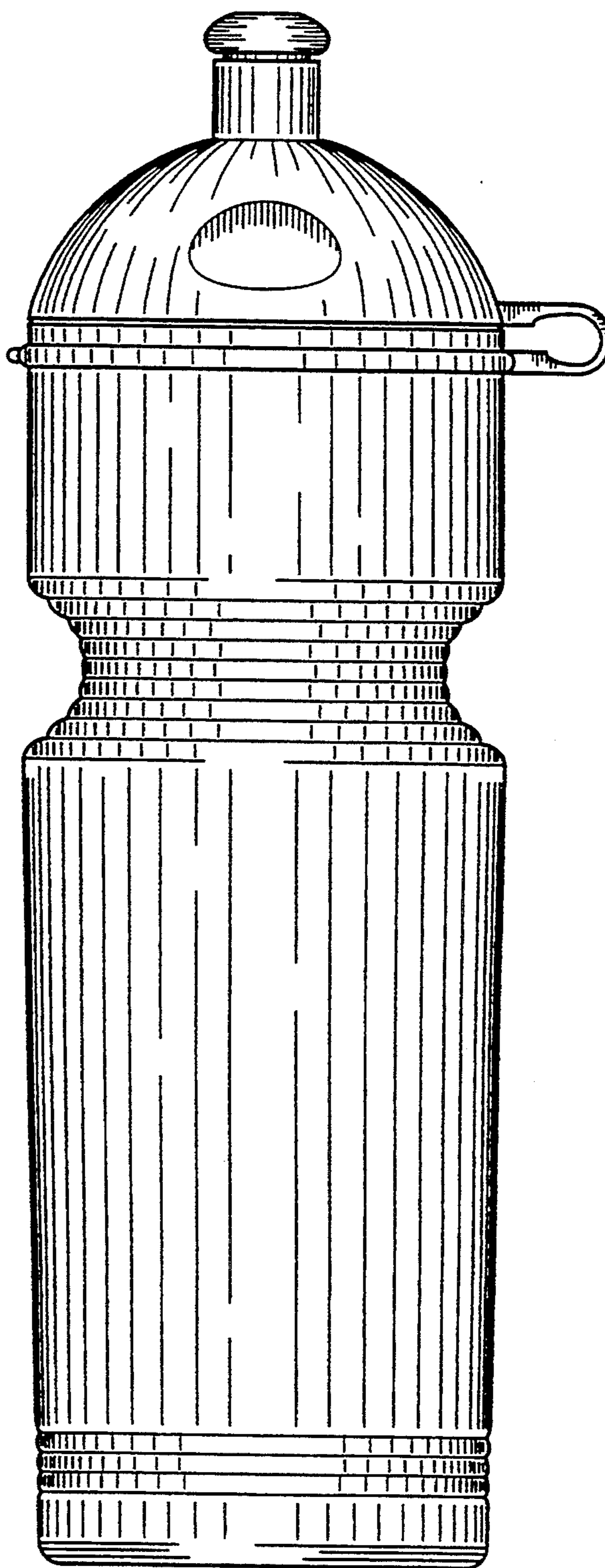


Fig.2

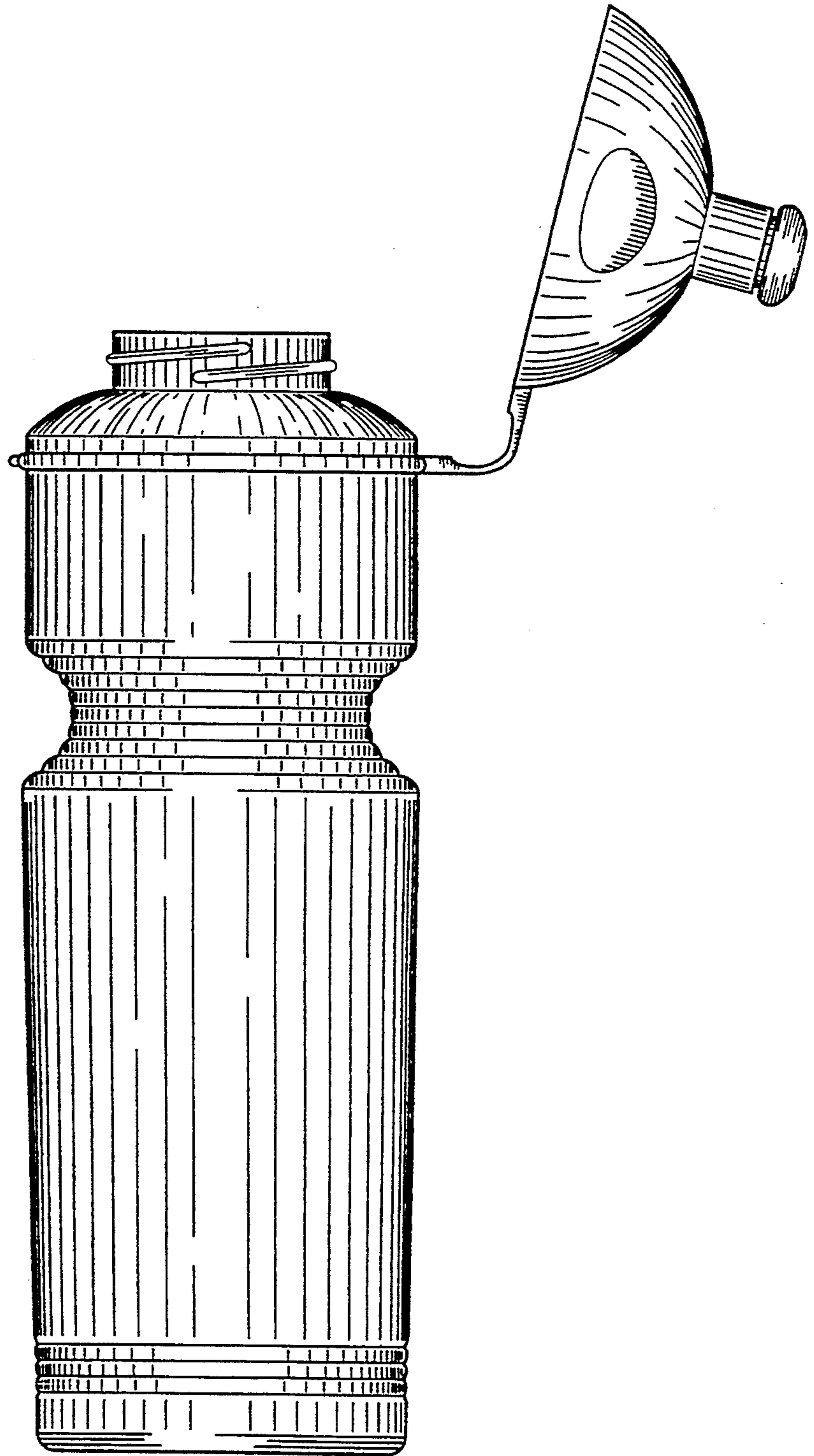


Fig.3

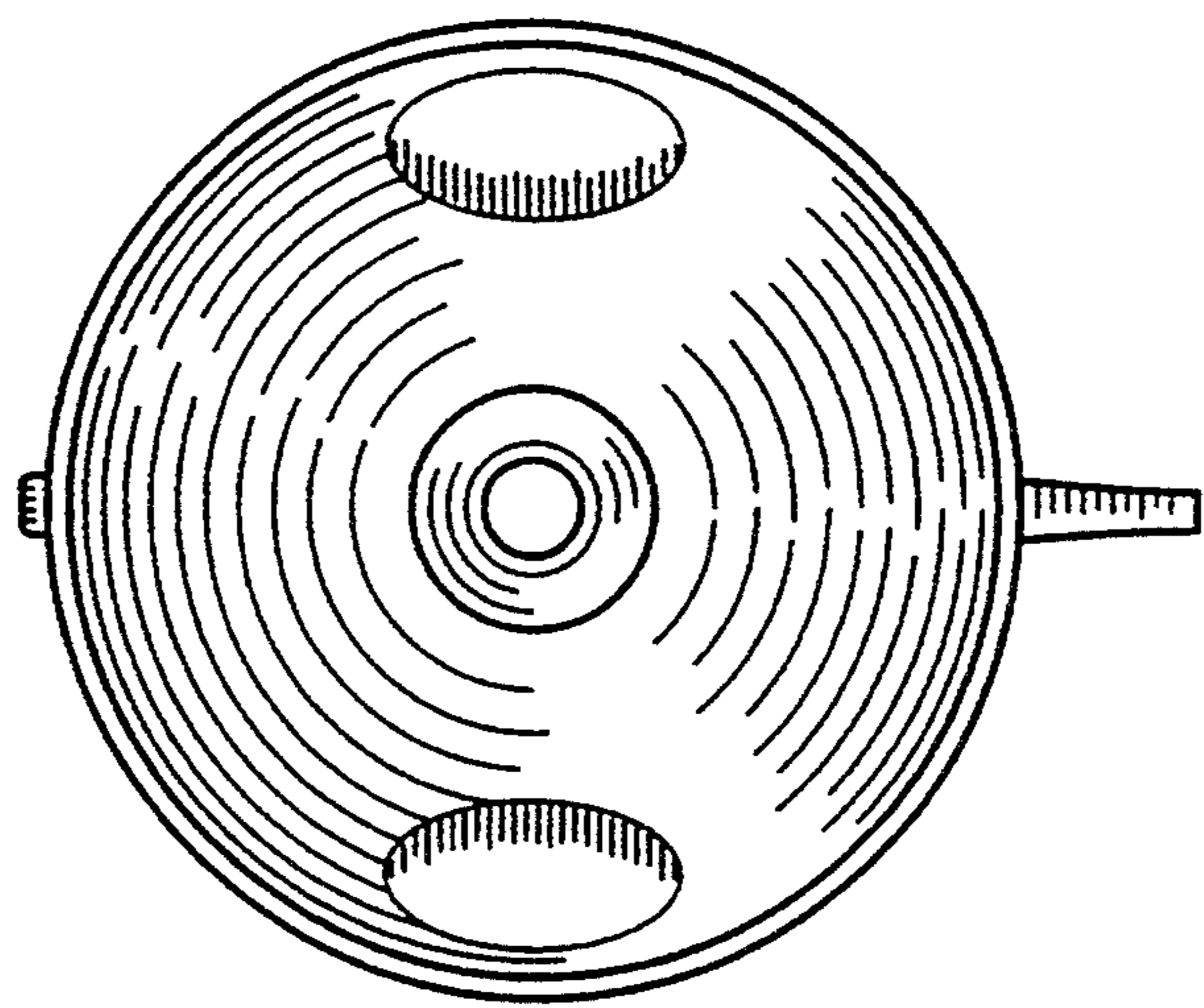
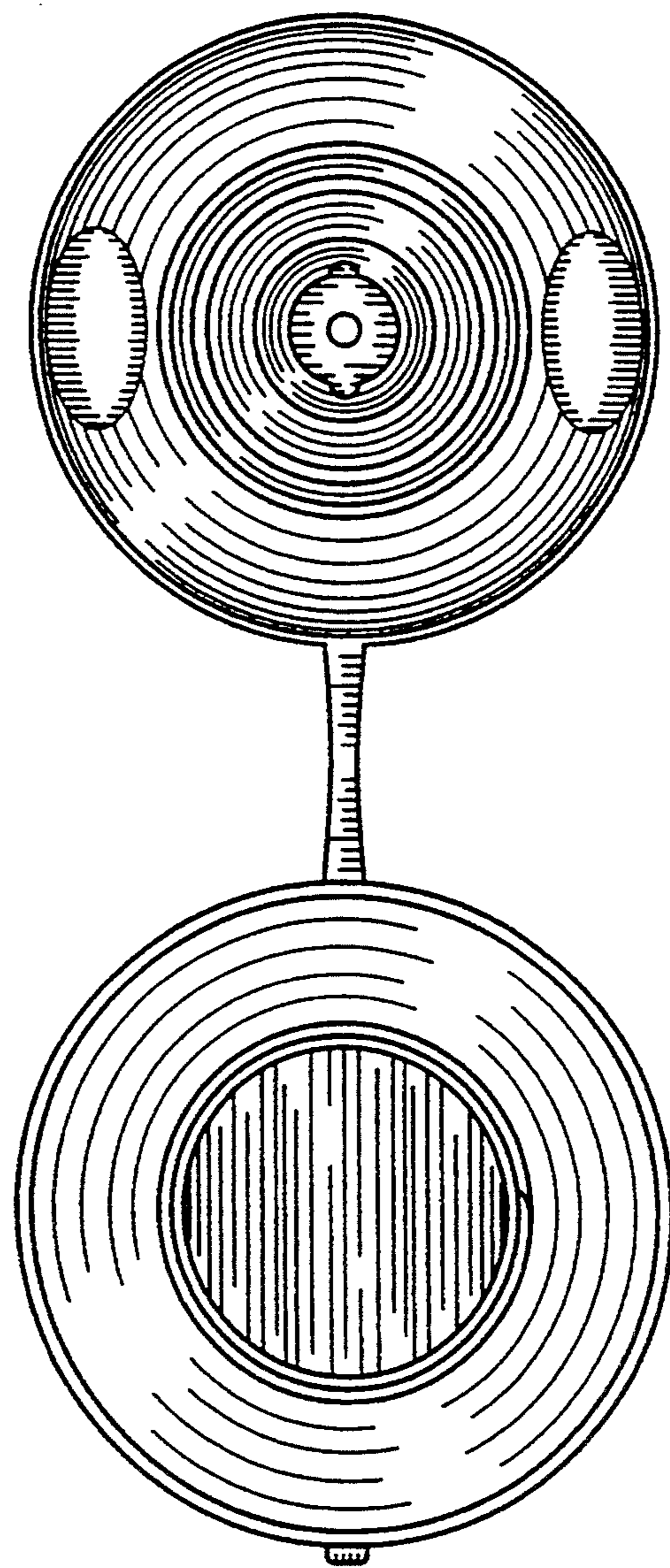


Fig.4

Fig.5



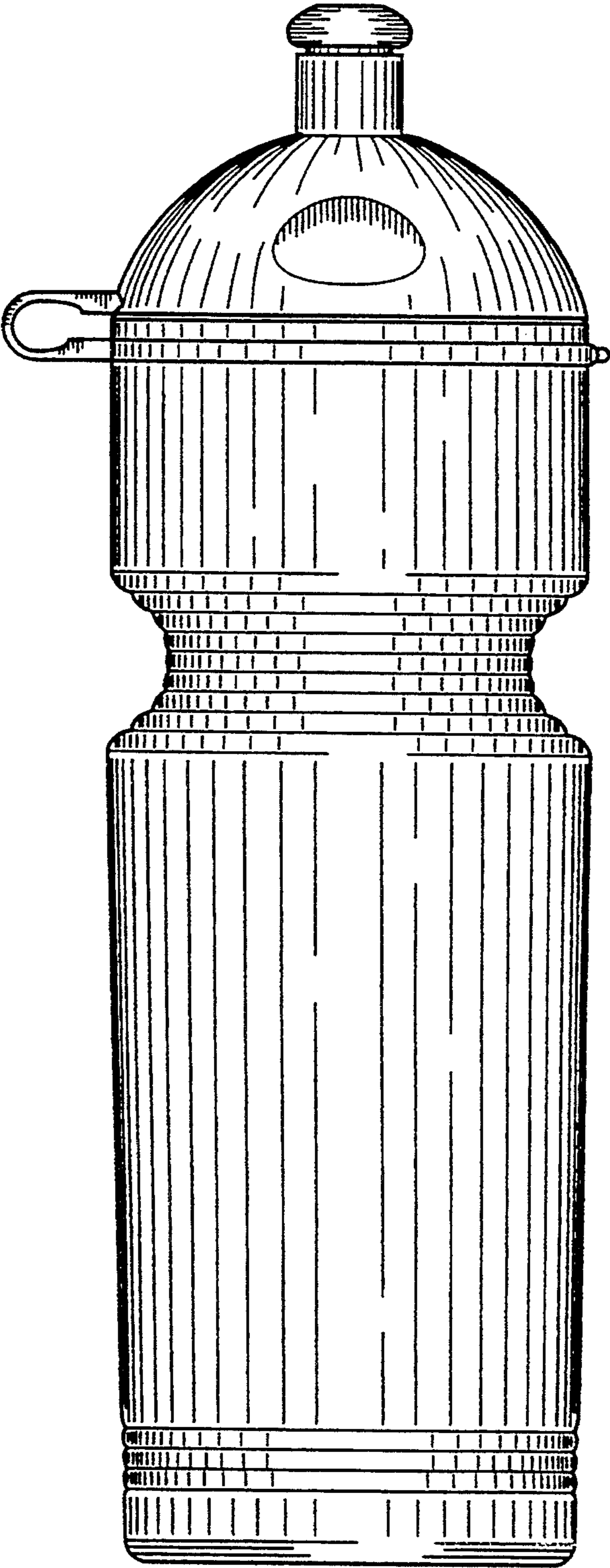


Fig.6

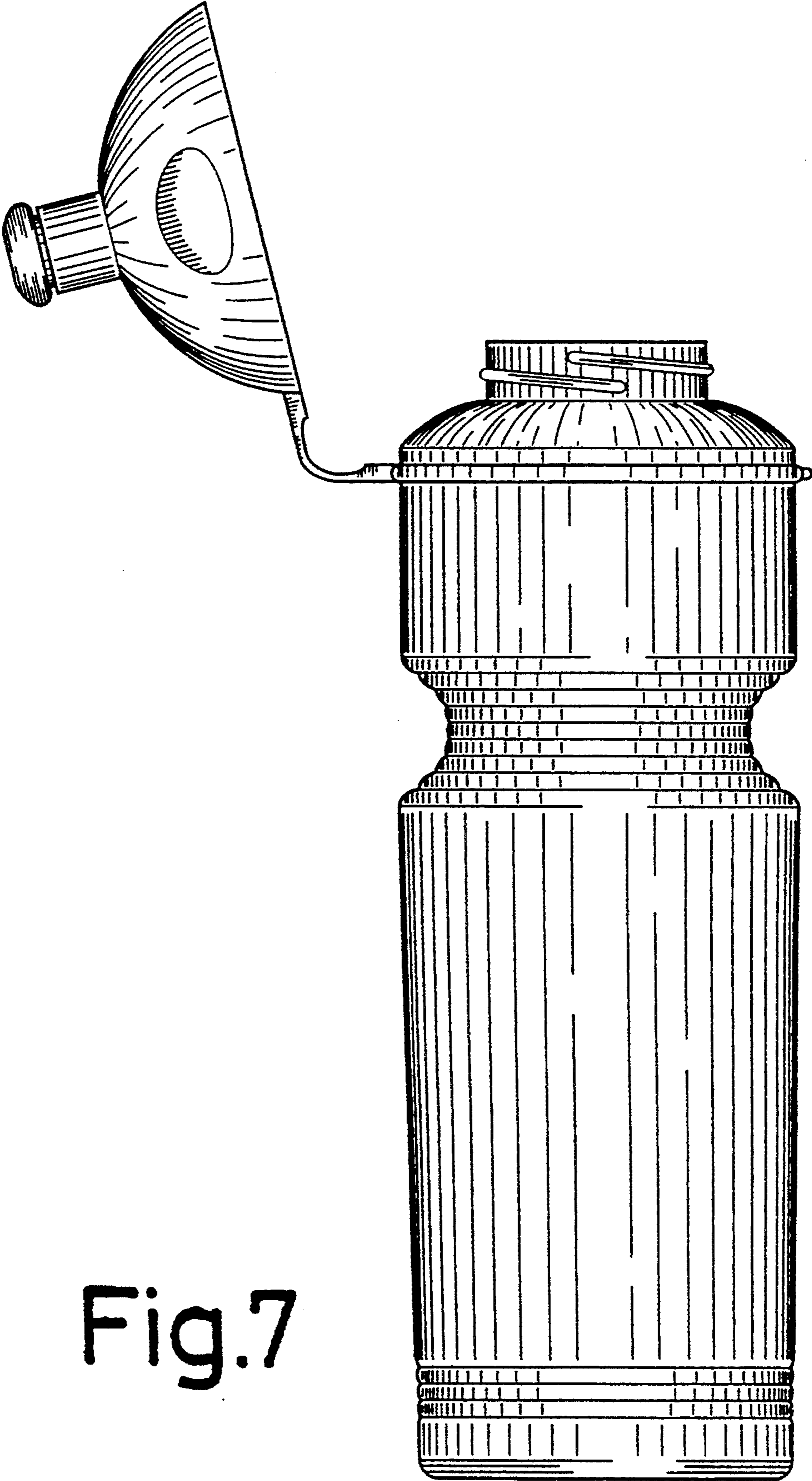


Fig.7



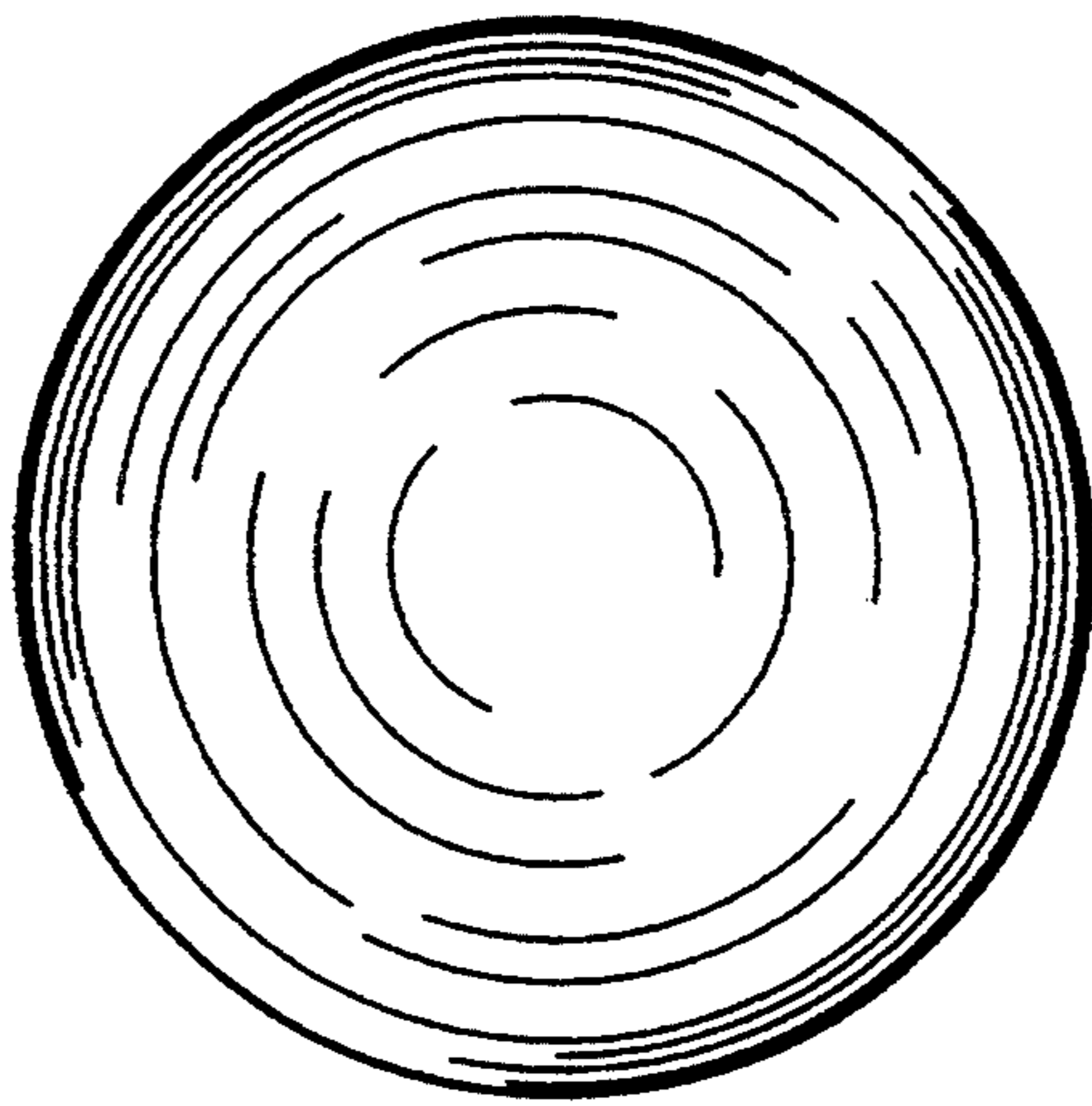


Fig.8