



US00D358294S

United States Patent [19]

[11] Patent Number: **Des. 358,294**

Letica

[45] Date of Patent: **** May 16, 1995**

[54] CUP LID

[75] Inventor: **Ilija Letica, Oxford, Mich.**

[73] Assignee: **Letica Corporation, Rochester, Mich.**

[**] Term: **14 Years**

[21] Appl. No.: **12,839**

[22] Filed: **Sep. 13, 1993**

[52] U.S. Cl. **D7/392.1; D7/511; D9/445**

[58] Field of Search **D7/507, 509, 510, 511, D7/512, 513, 514, 519, 523, 524, 527, 528, 530, 531, 532, 533, 534, 535, 536, 605, 392, 392.1, 505, 300, 305, 312, 314, 619, 602, 320, 396.2; D9/552, 527, 504, 444, 436, 445, 447, 503; 220/709, 705, 713; 215/1 A**

[56] **References Cited**

U.S. PATENT DOCUMENTS

D. 189,164	11/1960	Hollister	D9/447
D. 194,696	2/1963	Kidd	D7/511 X
D. 266,486	10/1982	Lutz	D9/503
D. 267,546	1/1983	Manlove	D7/445

D. 272,128	1/1984	Parmentier	D9/504 X
D. 276,087	10/1984	Kotyuk, Jr.	D7/552 X
D. 291,779	9/1987	Inaba	D9/445
D. 326,796	6/1972	Kawano	D7/534 X
3,085,709	4/1963	Klein	D9/436 X
4,448,316	5/1984	Hiroshige	D20/709 X
4,508,235	4/1985	Stelle et al.	220/713
5,328,069	7/1994	Cohanfard	2220/709 X

OTHER PUBLICATIONS

Cup w/Domed Lid, Modern Plastics Feb. 1946 p. 96.

Primary Examiner—Alan P. Douglas

Assistant Examiner—M. N. Pandozzi

Attorney, Agent, or Firm—Young, MacFarlane & Wood

[57] CLAIM

The ornamental design for a cup lid, as shown and described.

DESCRIPTION

FIG. 1 is a perspective view of a cup lid, showing my new design;

FIG. 2 is a top view thereof;

FIG. 3 is a side view thereof; and,

FIG. 4 is a bottom plan view thereof.

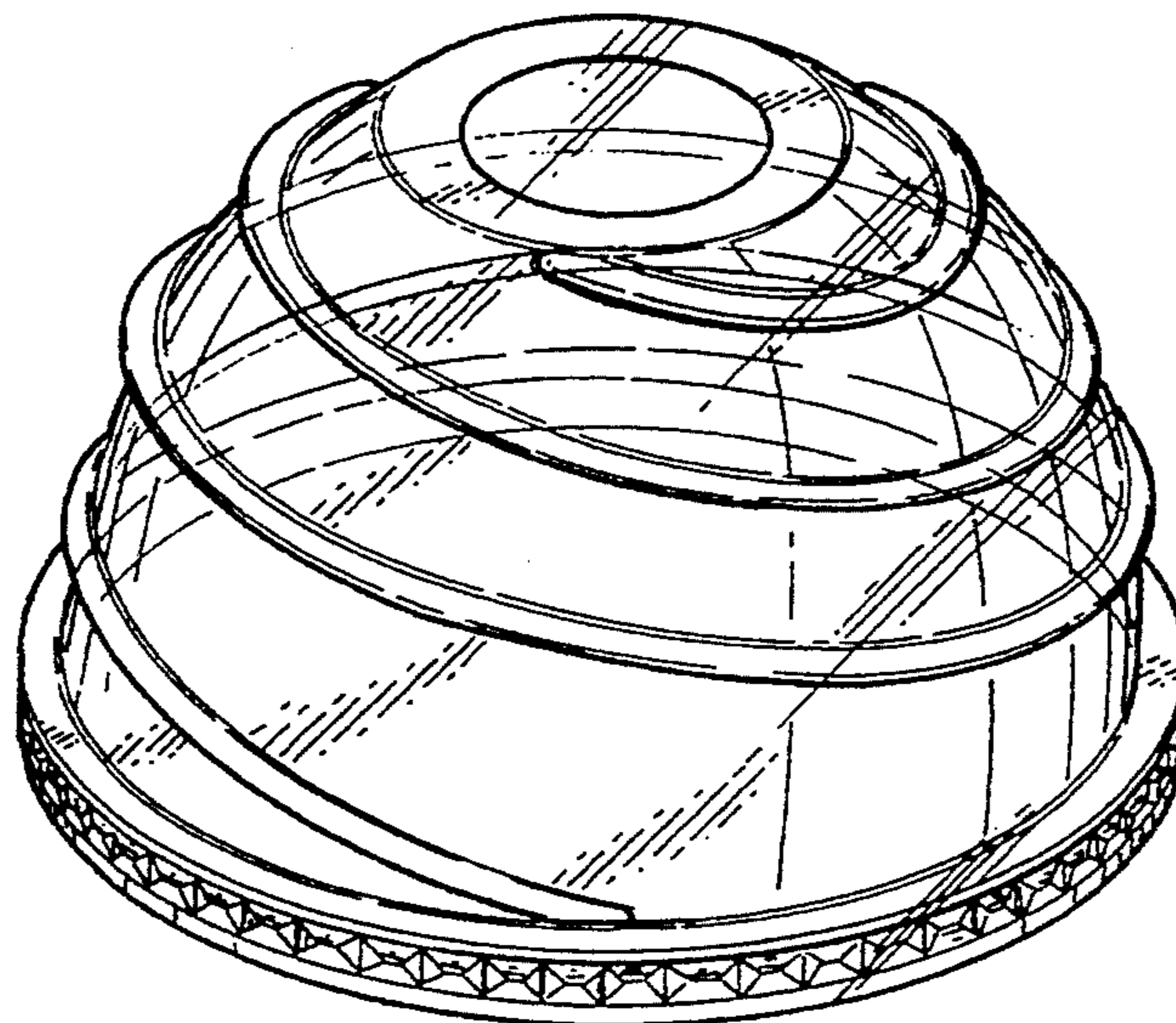


FIG-1

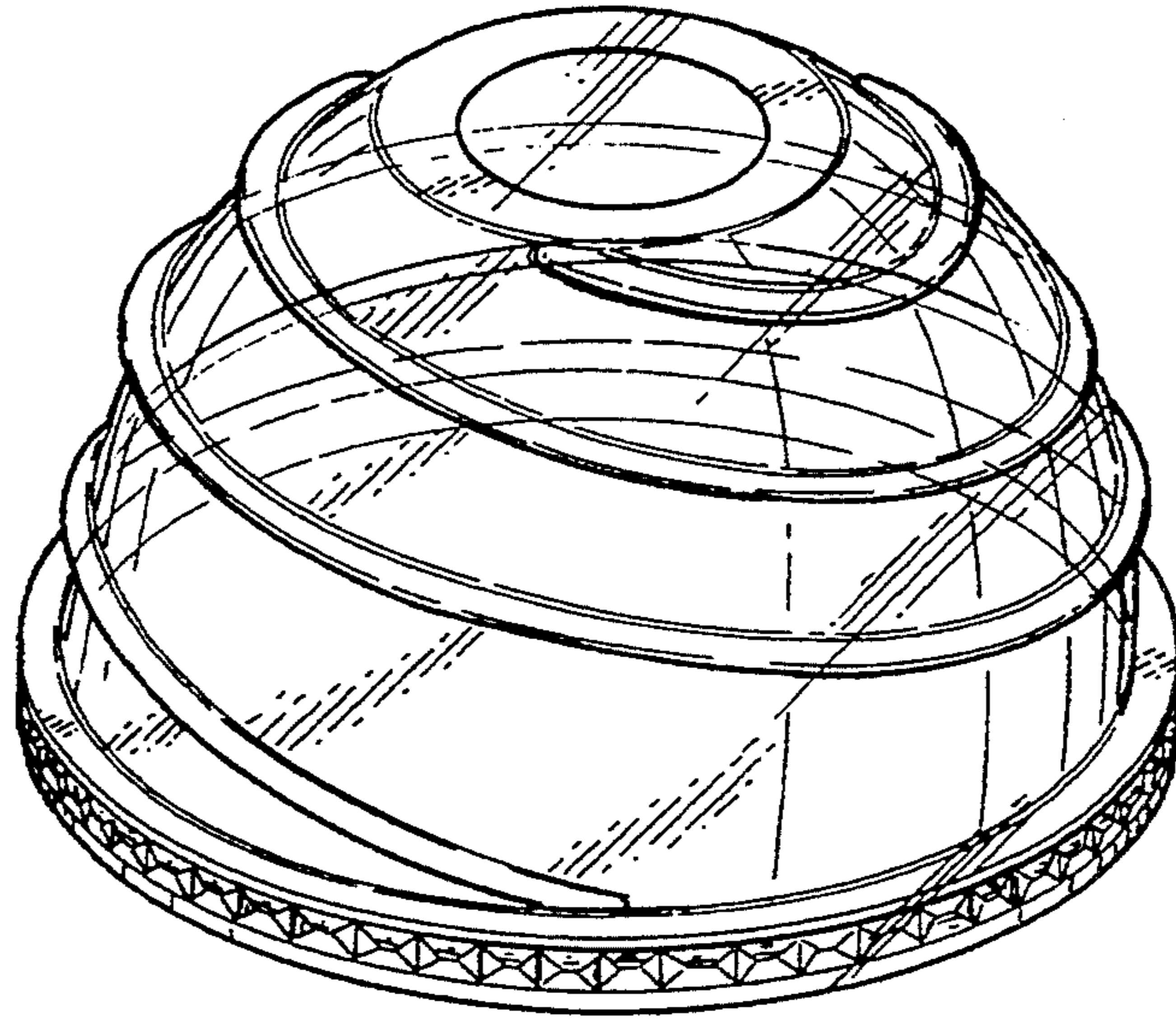


FIG-2

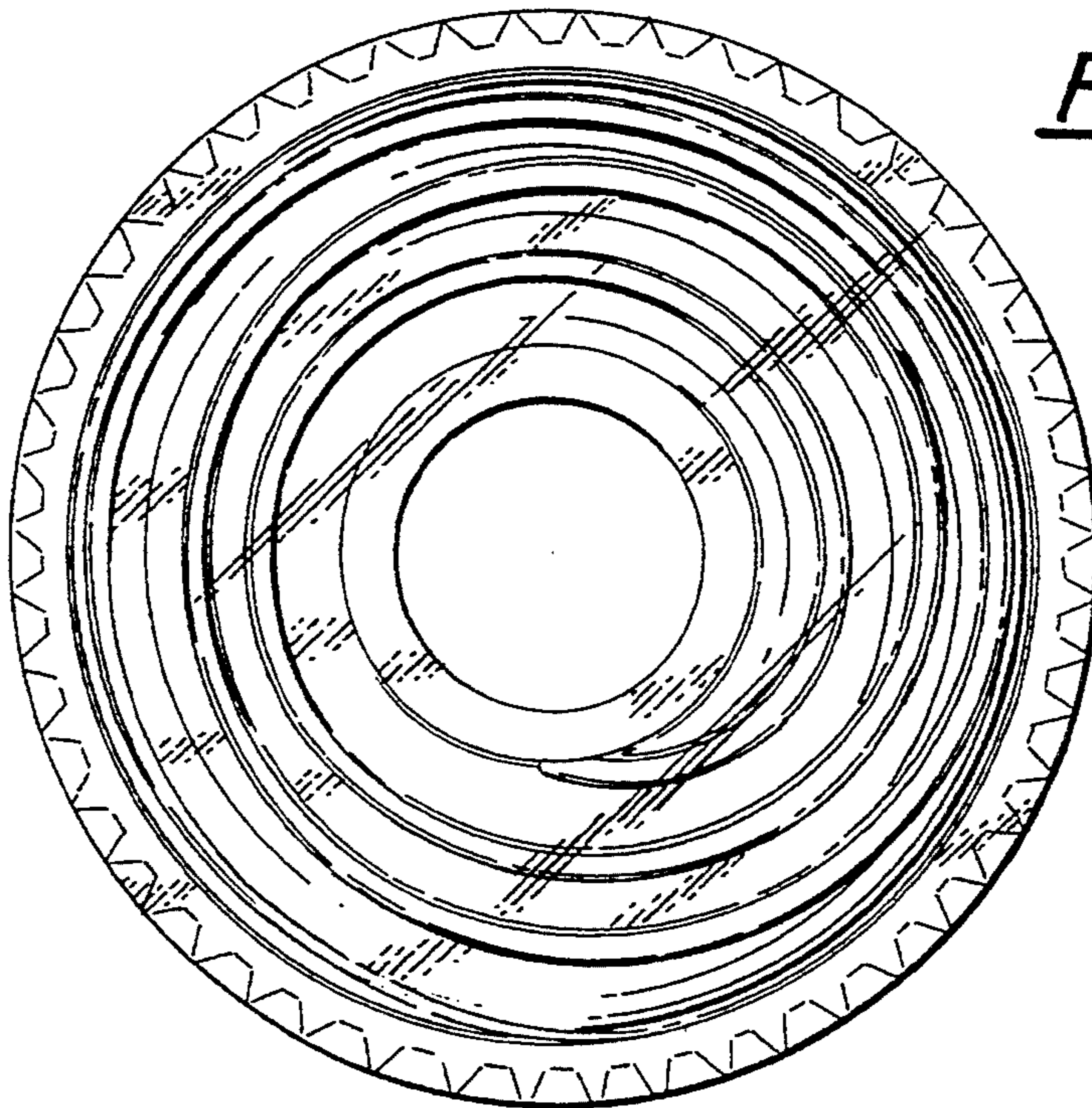


FIG-4

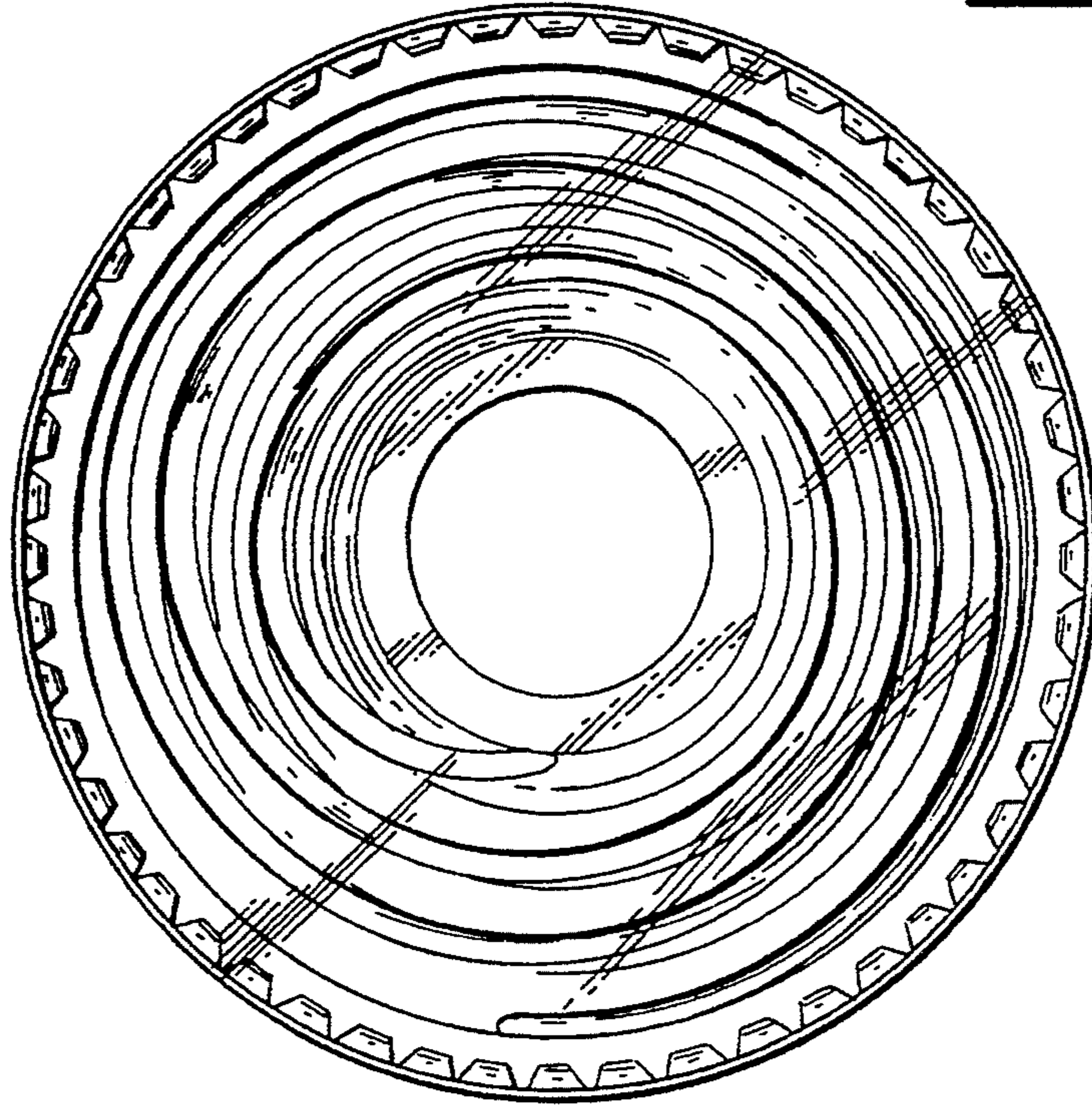


FIG-3

