



US00D358290S

United States Patent [19]

Schroeder

[11] Patent Number: Des. 358,290

[45] Date of Patent: ** May 16, 1995

[54] BEVERAGE DISPENSING TOWER

[75] Inventor: Alfred A. Schroeder, San Antonio, Tex.

[73] Assignee: The Coca-Cola Company, Atlanta, Ga.

[**] Term: 14 Years

[21] Appl. No.: 14,389

[22] Filed: Oct. 20, 1993

[52] U.S. Cl. D7/311; D7/309

[58] Field of Search D7/300, 304, 305, 306, D7/313, 307, 311; 222/183, 185

[56] References Cited

U.S. PATENT DOCUMENTS

- D. 251,564 4/1979 Mackrell D7/311
- D. 254,184 2/1980 Martin et al. D7/311
- D. 265,653 8/1982 Arzberger et al. D7/311
- D. 317,694 6/1991 Dust D7/311 X
- D. 328,995 9/1992 Verheijen D7/307 X
- D. 340,616 10/1993 Williams et al. D7/311 X

- D. 350,868 9/1994 Newman D7/306 X
- D. 351,306 10/1974 Horvath D7/306
- D. 351,965 11/1994 Credle, Jr. D7/300 X
- 4,258,759 3/1981 Achen .
- 5,161,455 11/1992 Anson et al. .
- 5,190,188 3/1993 Credle, Jr. .

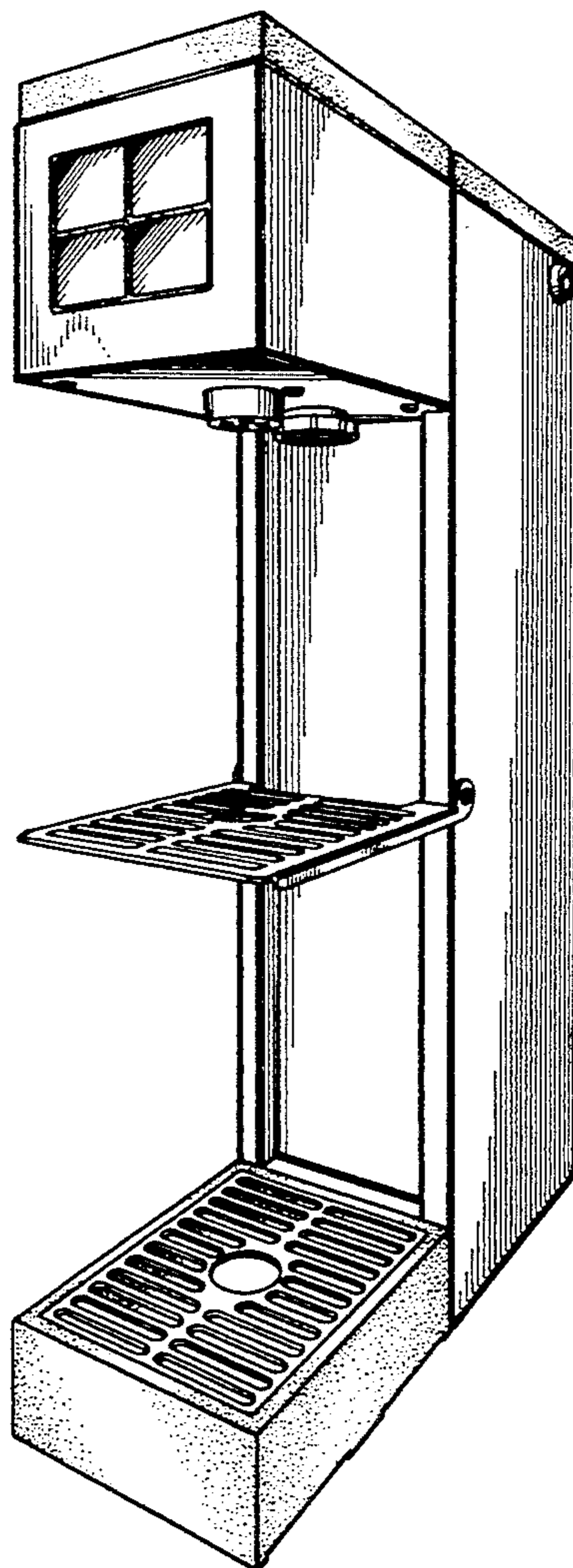
Primary Examiner—Alan P. Douglas
Assistant Examiner—M. N. Pandozzi
Attorney, Agent, or Firm—Thomas R. Boston

[57] CLAIM

The ornamental design for a beverage dispensing tower, as shown.

DESCRIPTION

FIG. 1 is a top right side perspective view of a beverage dispensing tower showing my new design; FIG. 2 is a front elevational view thereof; FIG. 3 is a left side elevational view thereof; FIG. 4 is a right side elevational view thereof; FIG. 5 is a rear elevational view thereof; FIG. 6 is a top plan view thereof, and, FIG. 7 is a bottom plan view thereof.



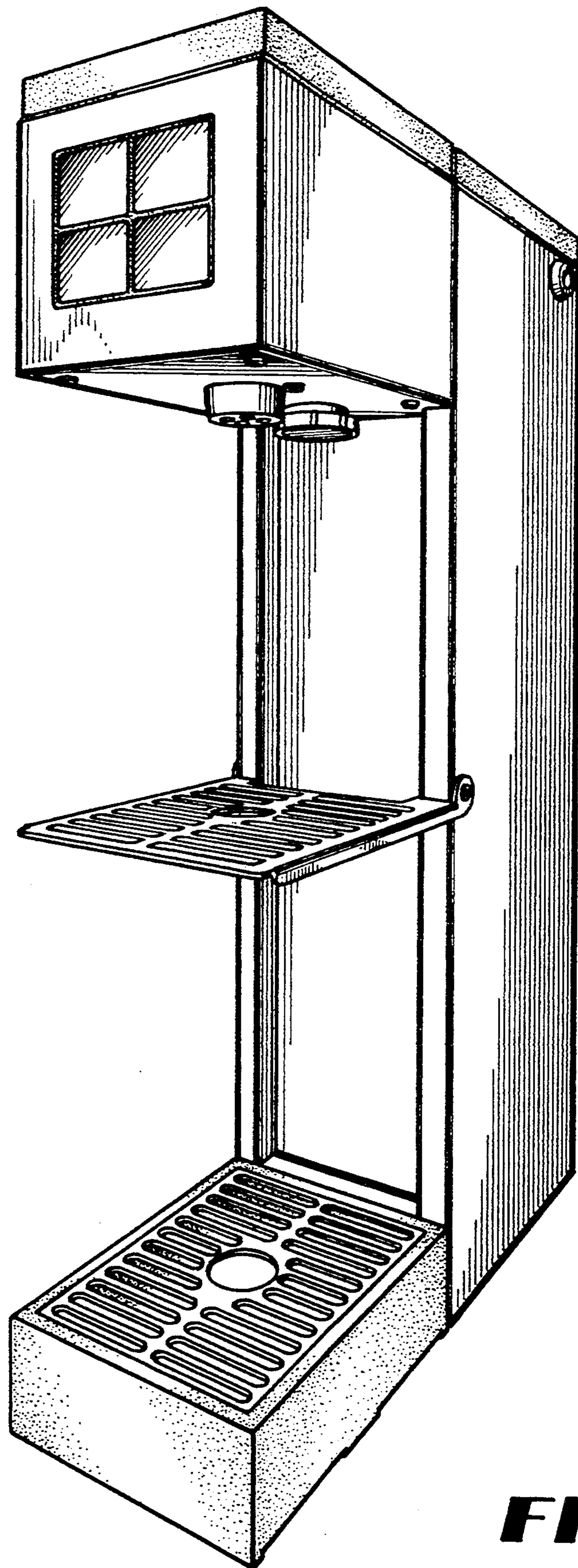


FIG 1

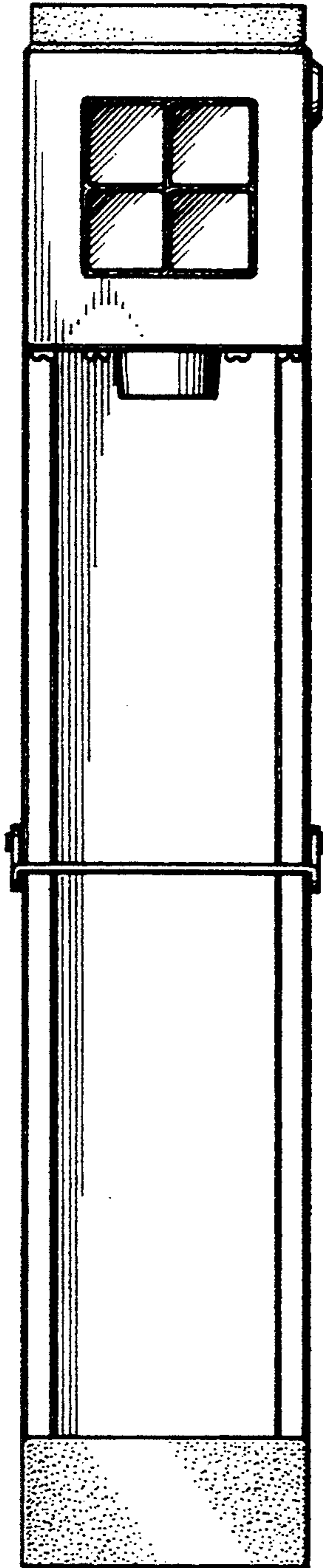


FIG 2

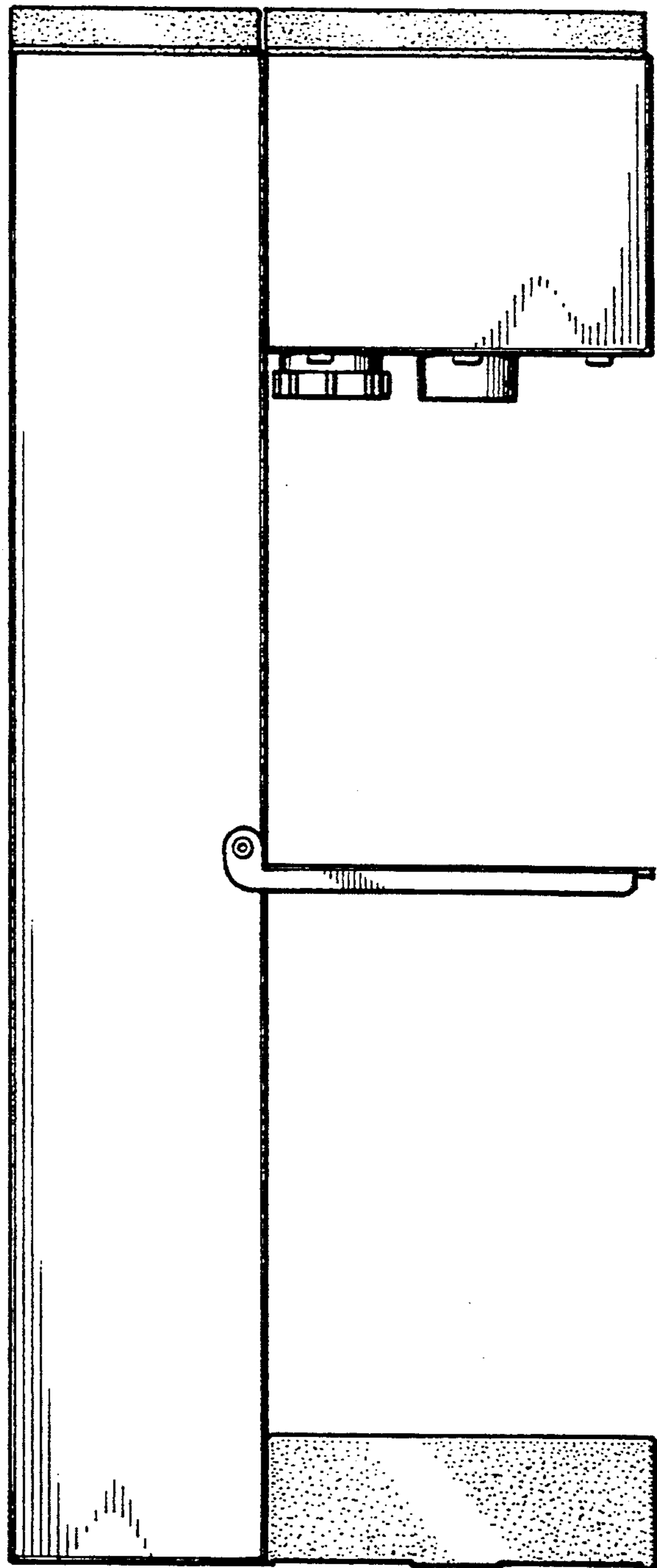


FIG 3

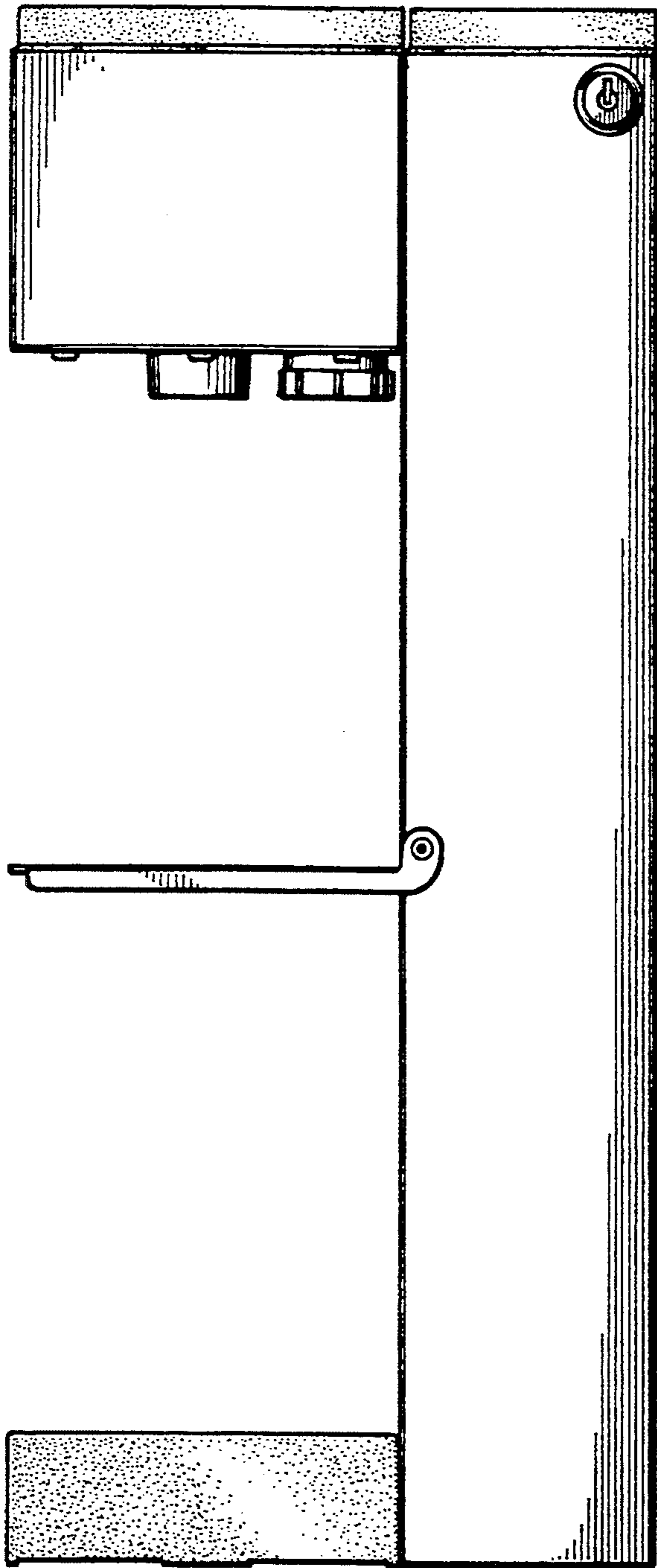


FIG 4

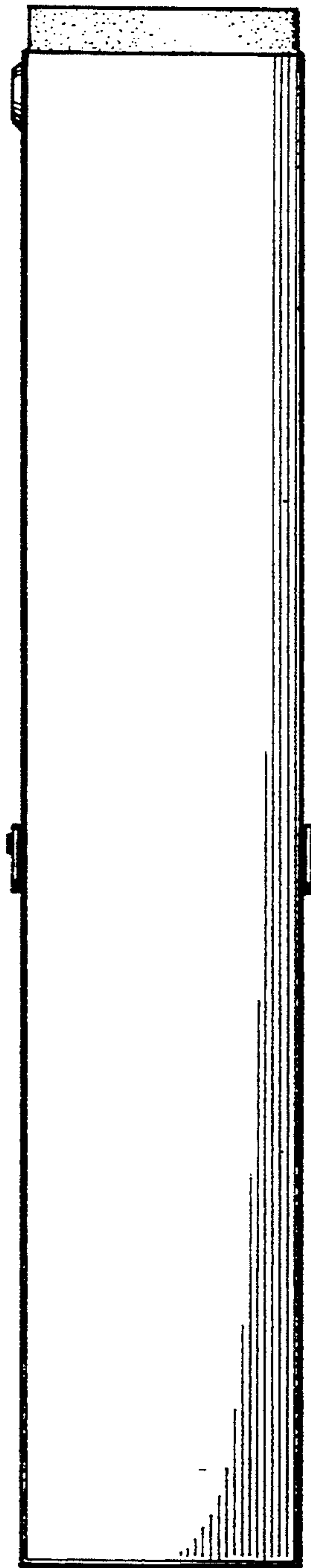


FIG 5

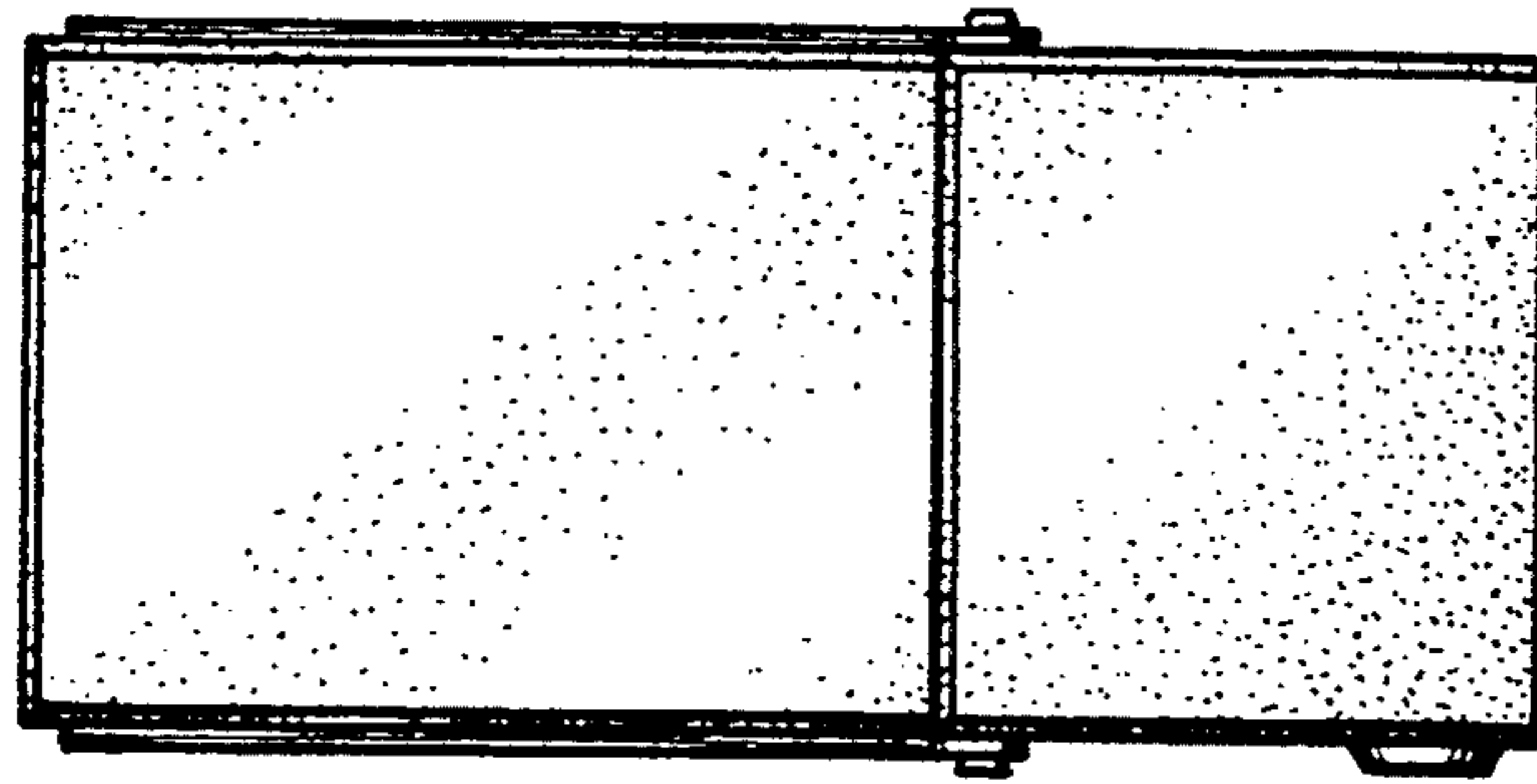


FIG 6

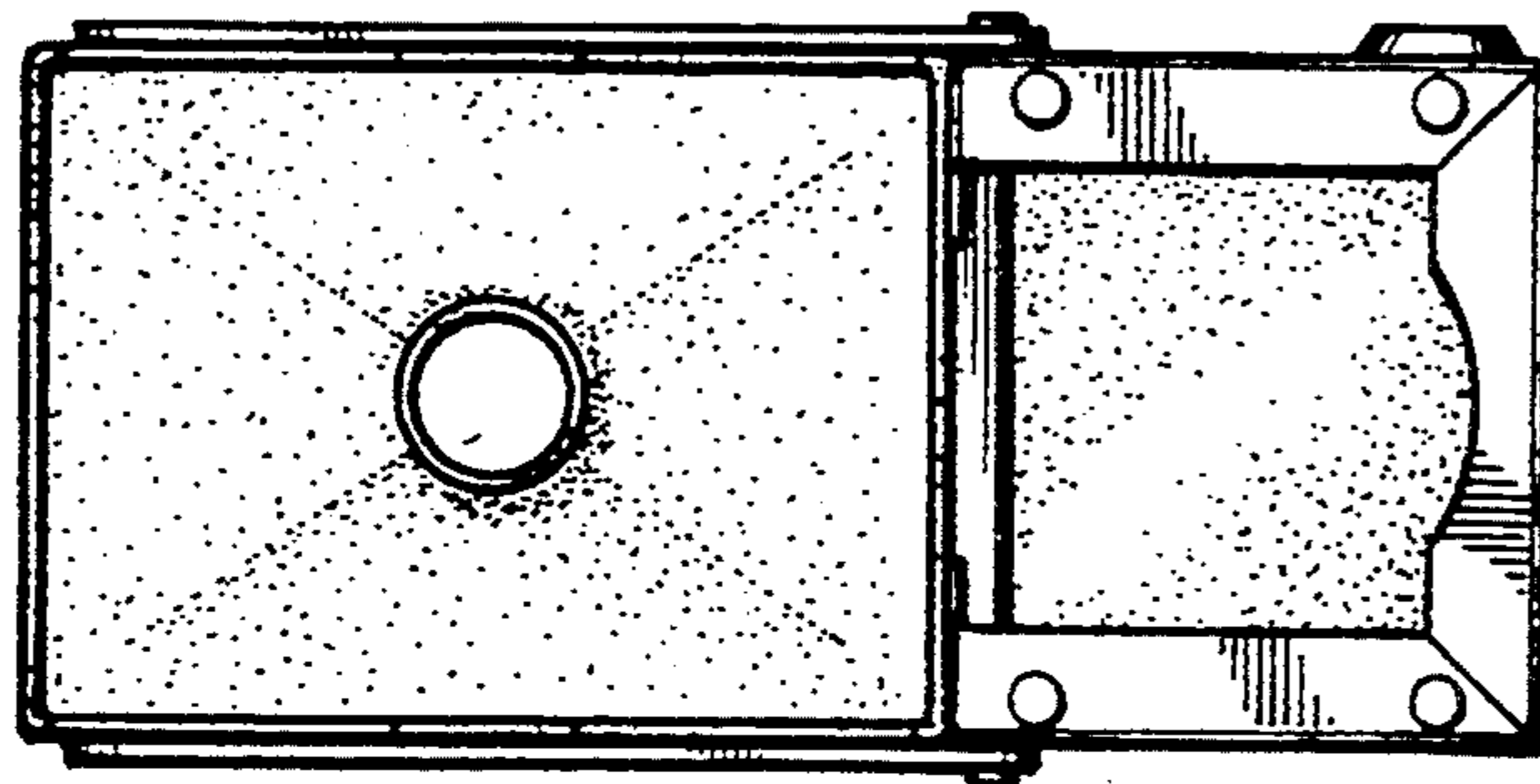


FIG 7