



US00D358287S

United States Patent [19]

[11] Patent Number: **Des. 358,287**

Sharpe

[45] Date of Patent: **** May 16, 1995**

- [54] **TOOTHBRUSH AND TUMBLER HOLDER**
- [75] Inventor: **Norton Sharpe**, Los Angeles, Calif.
- [73] Assignee: **Franklin Brass Manufacturing Company**, Los Angeles, Calif.
- [**] Term: **14 Years**
- [21] Appl. No.: **12,090**
- [22] Filed: **Aug. 23, 1993**
- [52] U.S. Cl. **D6/531**
- [58] Field of Search **D6/536-540,**
D6/529, 532, 528, 531; 211/13, 86-88, 134;
248/309.1, 311.2, 360

tion date believed to be Jan., 1992. Pages entitled "Lexington," Georgetown, and Chesapeake. Catalogue entitled "Baltic" by Farnet. Believed published prior to Jul., 1992. Catalogue entitled "Chantal" by Farnet. Believe published prior to Jul., 1992. Catalogue entitled "Harrington Traditional," believed published prior to Jul., 1992. Catalogue entitled "Displays" by Ginger. Believed published prior to Jul., 1992.

Primary Examiner—Brian N. Vinson
Attorney, Agent, or Firm—Spensley Horn Jubas & Lubitz

[56] References Cited

U.S. PATENT DOCUMENTS

- D. 209,444 12/1967 Dearling D6/536
- D. 226,350 2/1973 Shames D6/531
- D. 291,519 8/1987 Chap D6/531
- D. 296,175 6/1988 Fayerman .
- D. 296,637 7/1988 Fayerman .
- D. 299,095 12/1988 Gresens et al. D6/540 X
- D. 299,096 12/1988 Fayerman .
- D. 299,097 12/1988 Fayerman .
- D. 299,098 12/1988 Fayerman .
- D. 303,333 9/1989 Fayerman .
- D. 337,681 7/1993 Sharpe D6/531

OTHER PUBLICATIONS

- Lenape Brochure Classic Wall Mounted Toothbrush-Tumbler Holder 0522.
- Christensen Hardware brochure, Maxwell Collection Soap Dish.
- Catalogue of Baldwin Hardware Corporation. Publica-

[57] CLAIM

The design for a toothbrush and tumbler holder, as shown and described.

DESCRIPTION

FIG. 1 is a perspective view of a soap dish incorporating my new design;
FIG. 2 is a top plan view of the soap dish shown in FIG. 1;
FIG. 3 is a bottom plan view of the soap dish shown in FIG. 1;
FIG. 4 is a front elevational view of the soap dish shown in FIG. 1;
FIG. 5 is a left side elevational view of the soap dish shown in FIG. 1;
FIG. 6 is a rear elevational view of the soap dish shown in FIG. 1; and,
FIG. 7 is a cross-sectional view taken along the line 7-7 of FIG. 2.

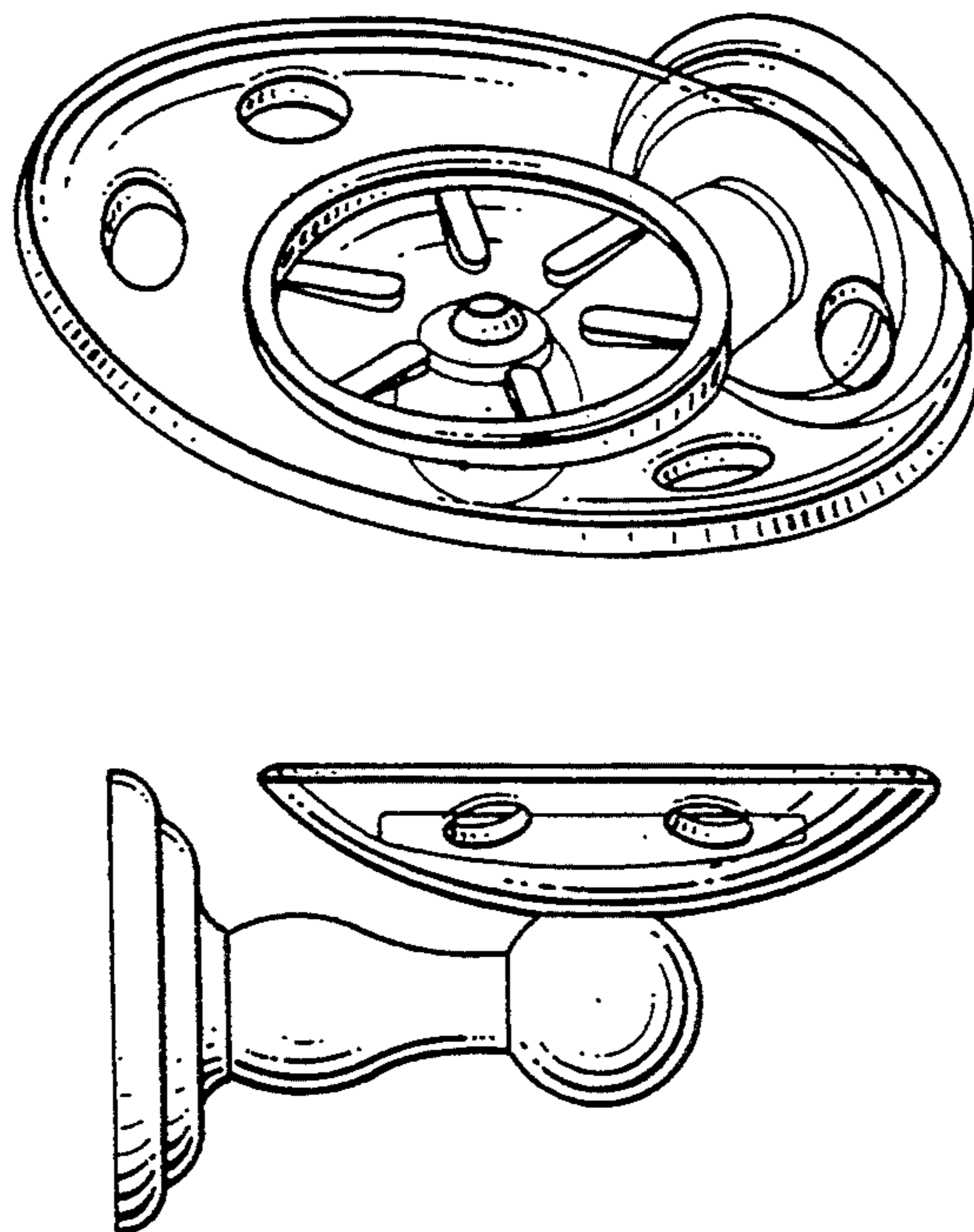


FIG. 1

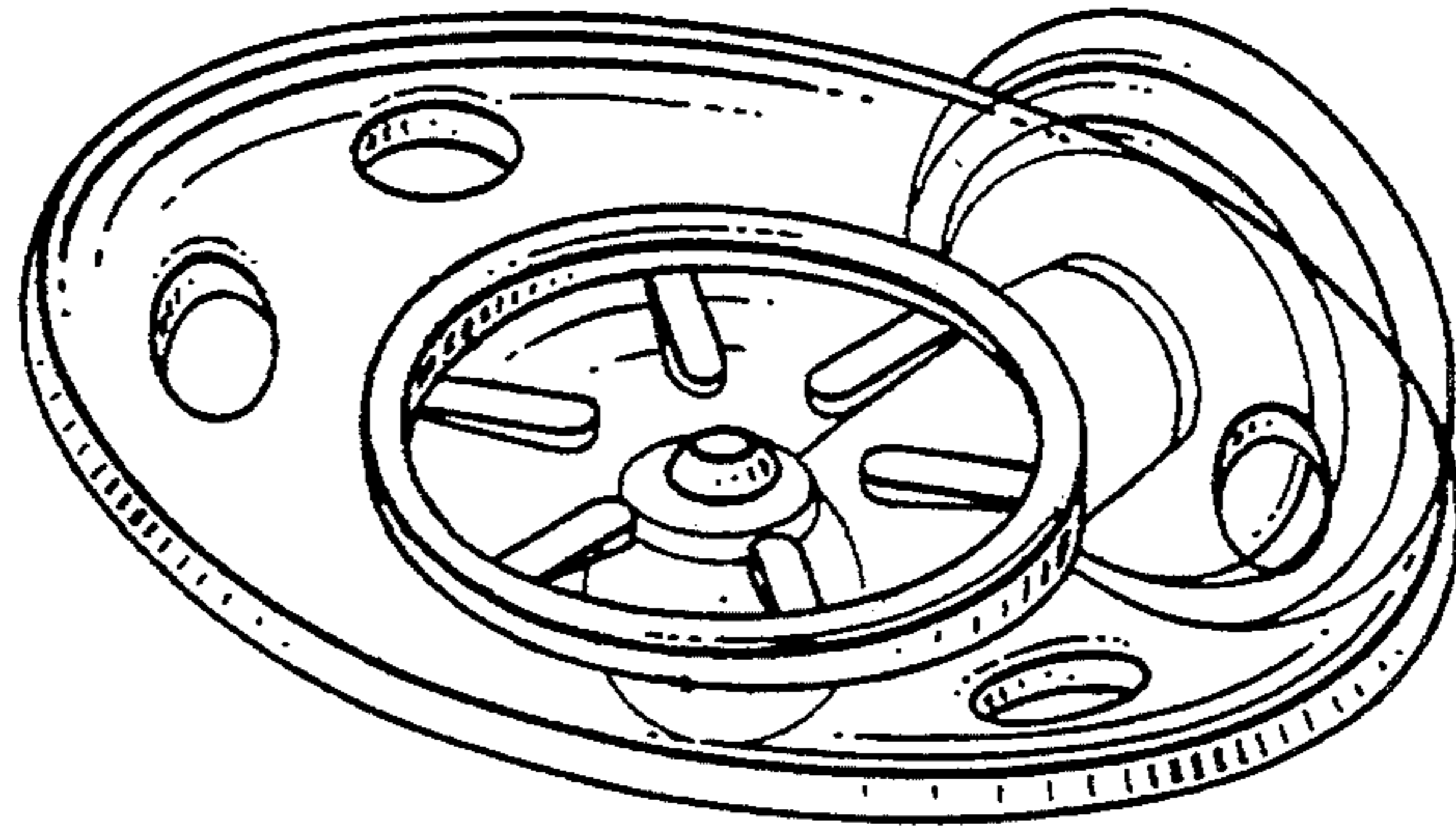


FIG. 2

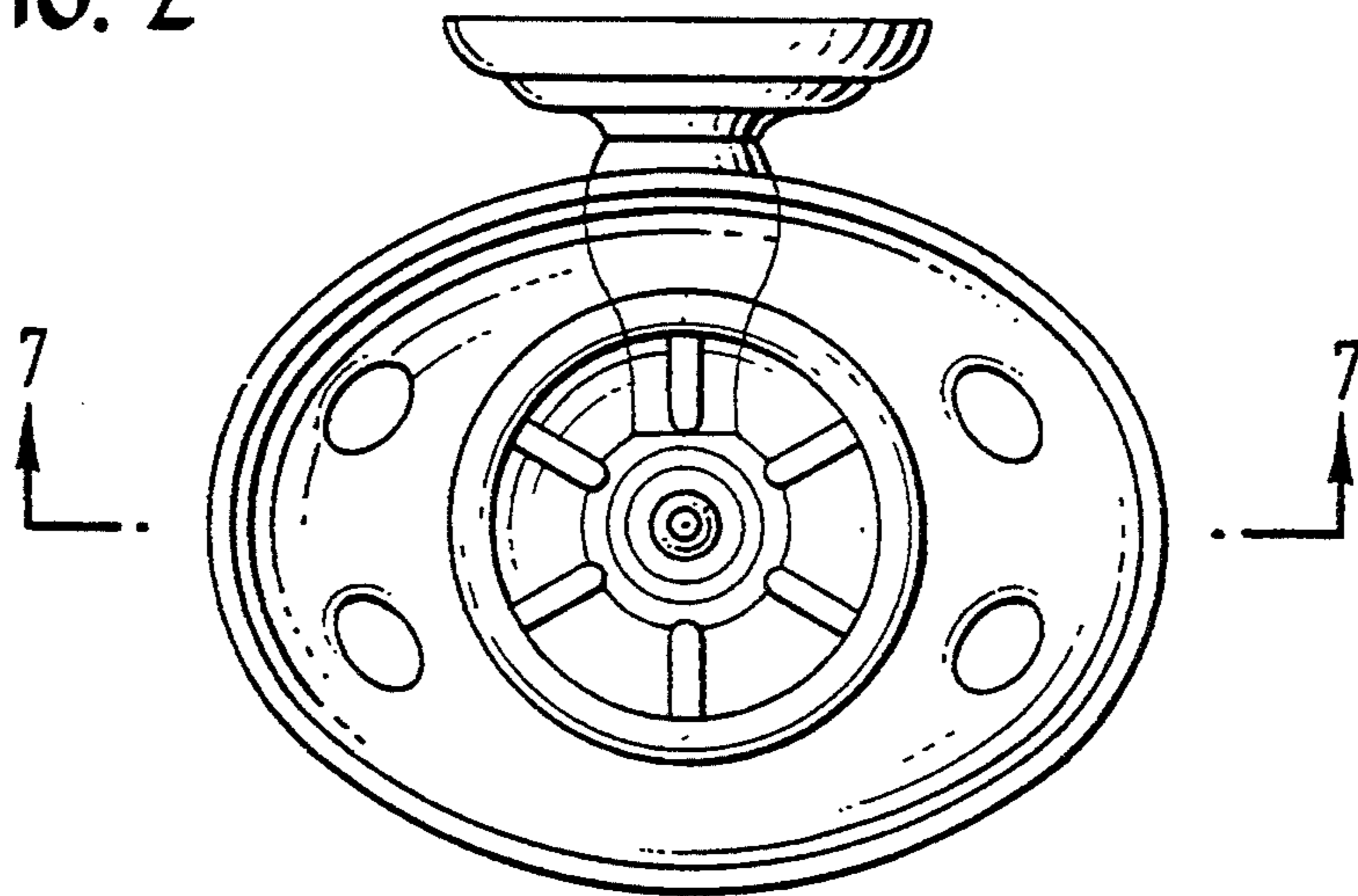


FIG. 3

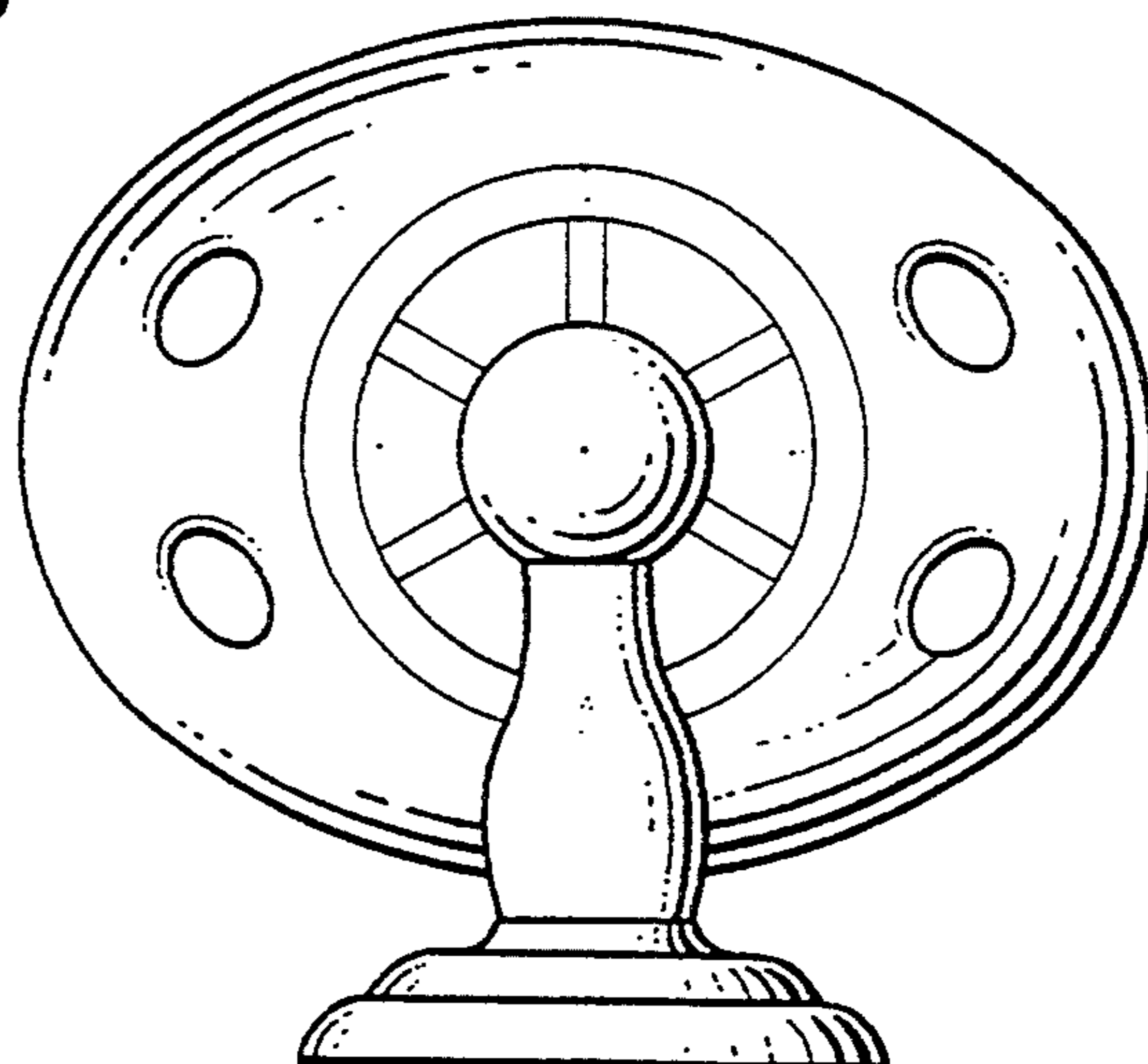


FIG. 4

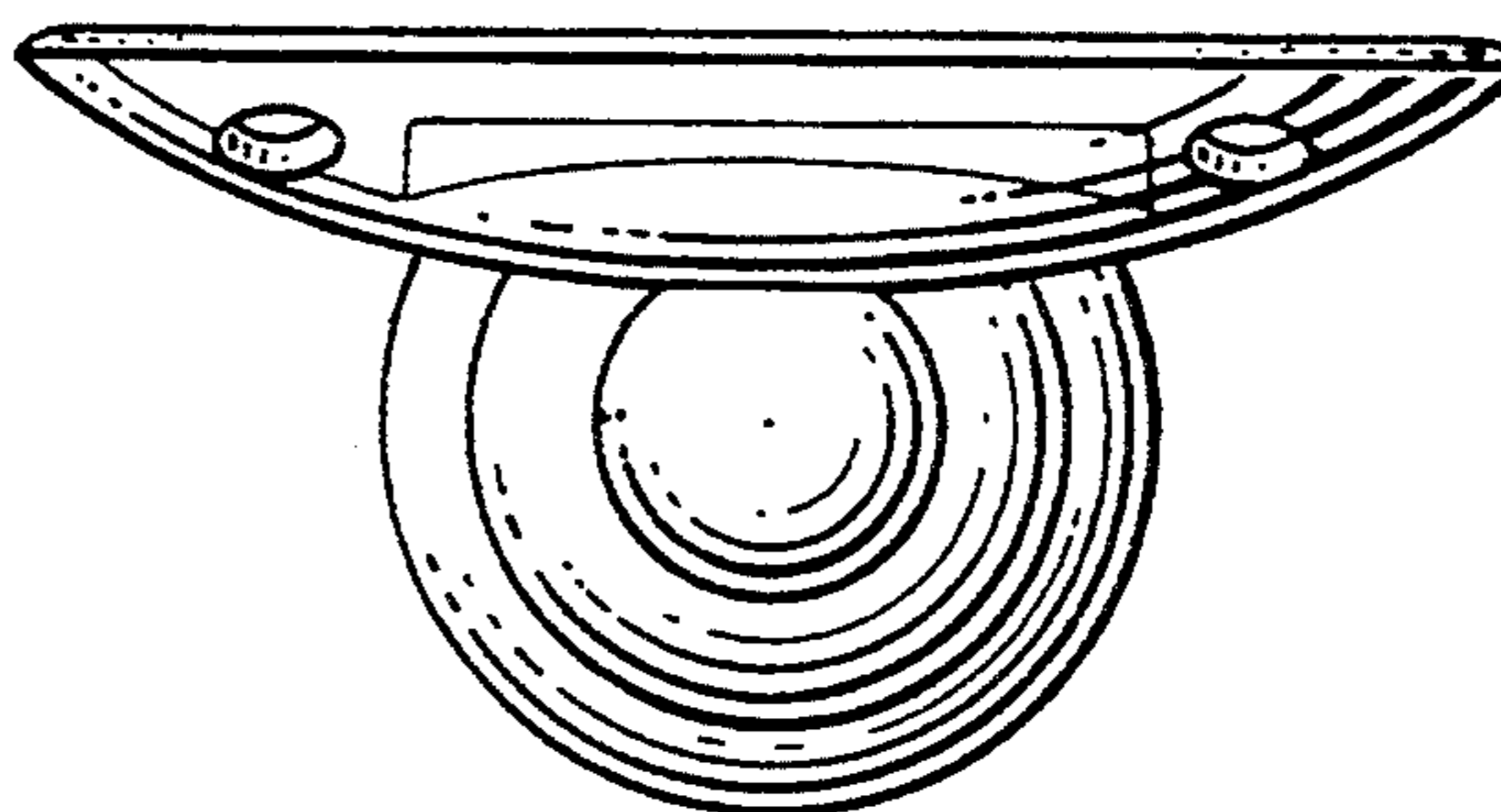


FIG. 5

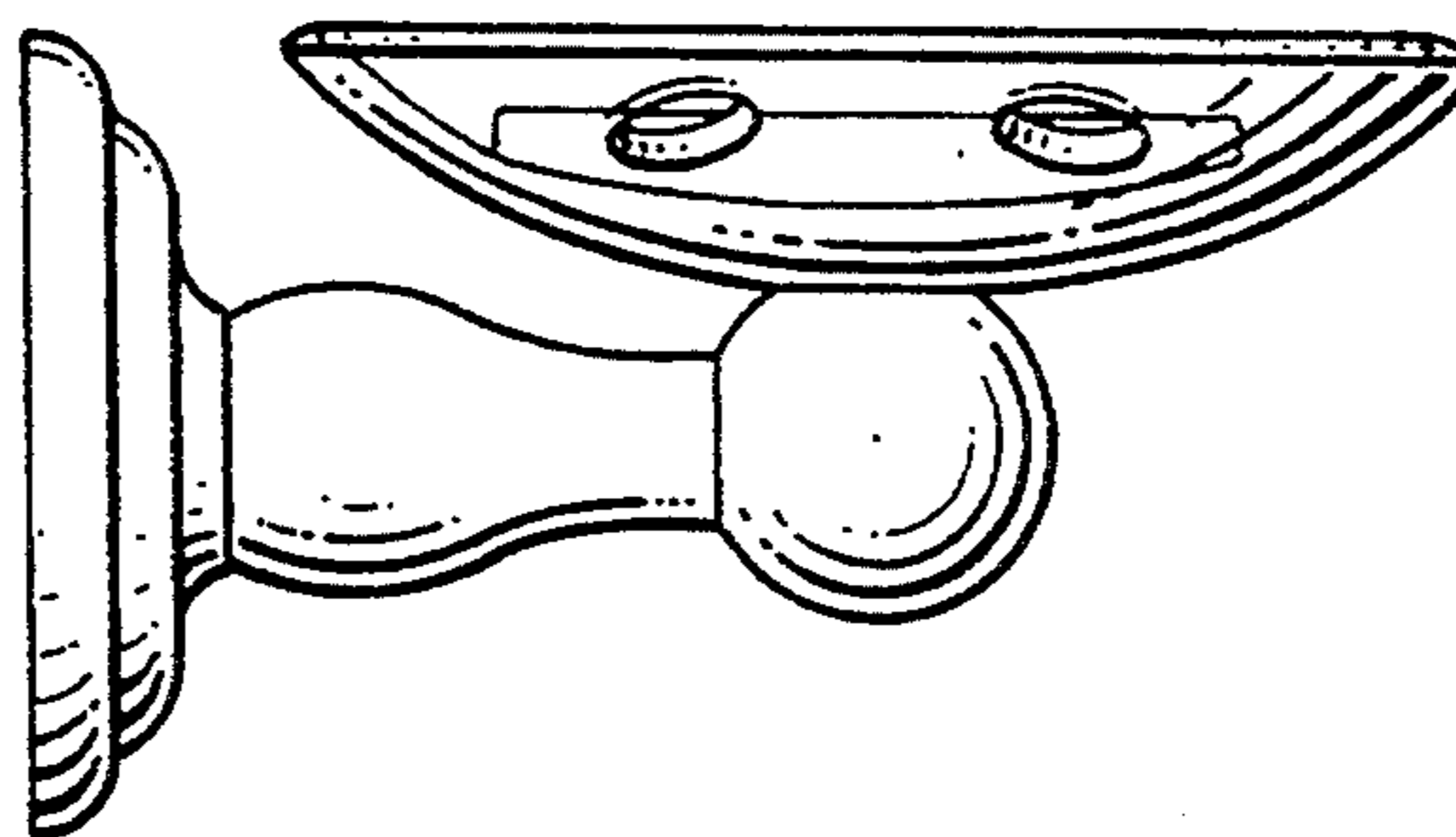


FIG. 6

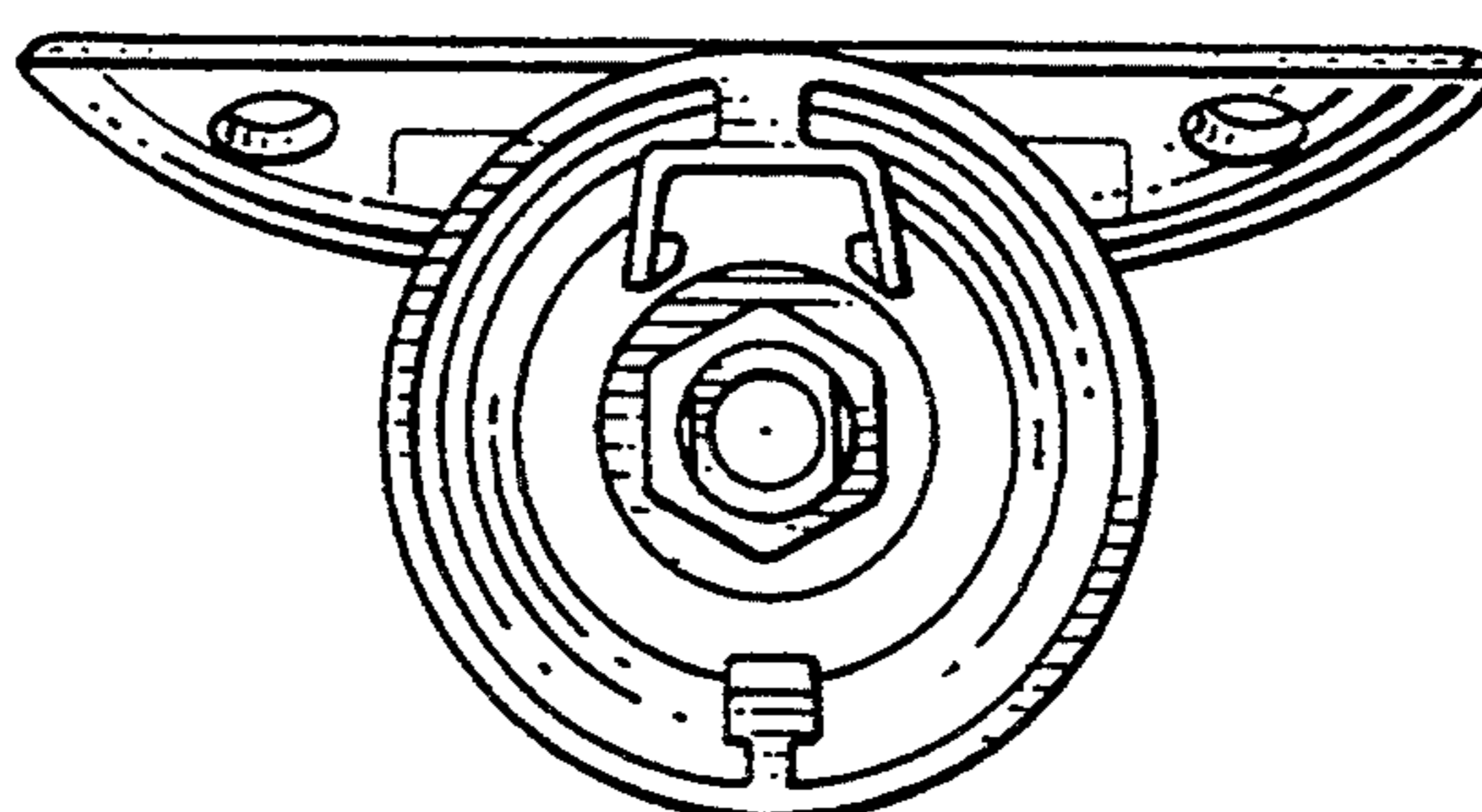


FIG. 7

