



US00D358284S

# United States Patent [19] Hill

[11] Patent Number: **Des. 358,284**

[45] Date of Patent: **\*\* May 16, 1995**

- [54] **BED STORAGE COMPARTMENT**
- [76] Inventor: **Vernon L. Hill**, 12361 Randolph Pl.,  
Denver, Colo. 80239
- [\*\*] Term: **14 Years**
- [21] Appl. No.: **13,645**
- [22] Filed: **Sep. 29, 1993**
- [52] U.S. Cl. .... **D6/503; D3/303**
- [58] Field of Search ..... **D6/503, 491; D3/303,  
D3/233, 201, 901; 5/658, 503.1, 504.1, 485, 931**

- 4,276,667 7/1981 Osbourne .
- 4,688,286 8/1987 Miker .
- 4,691,396 9/1987 Hoffman .

*Primary Examiner*—Janice E. Seeger  
*Attorney, Agent, or Firm*—Dorr, Carson, Sloan & Birney

### [57] CLAIM

The ornamental design for a bed storage compartment, as shown and described.

### DESCRIPTION

FIG. 1 is a perspective view of the bed storage compartment;  
 FIG. 2 is a rear view of the bed storage compartment;  
 FIG. 3 is a front view of the bed storage compartment;  
 FIG. 4 is a right side view of the bed storage compartment;  
 FIG. 5 is a left side view of the bed storage compartment;  
 FIG. 6 is a top view of the bed storage compartment;  
 and,  
 FIG. 7 is a bottom view of the bed storage compartment.  
 The broken lines are for environmental purposes only and form no part of the claimed design.

### [56] References Cited

#### U.S. PATENT DOCUMENTS

- D. 289,123 4/1987 Tennen ..... D6/596
- D. 292,645 11/1987 Young ..... D3/901
- D. 346,923 5/1994 Holm ..... D6/596
- 2,557,674 6/1951 McRae .
- 2,650,784 9/1953 Thayer et al. .
- 2,784,423 3/1957 Droeger et al. .... 5/503.1
- 3,482,810 12/1969 Bailey .
- 3,514,796 6/1970 Dibrell .
- 4,129,909 12/1978 Riehl .
- 4,169,428 10/1979 Waugh ..... 5/485 X

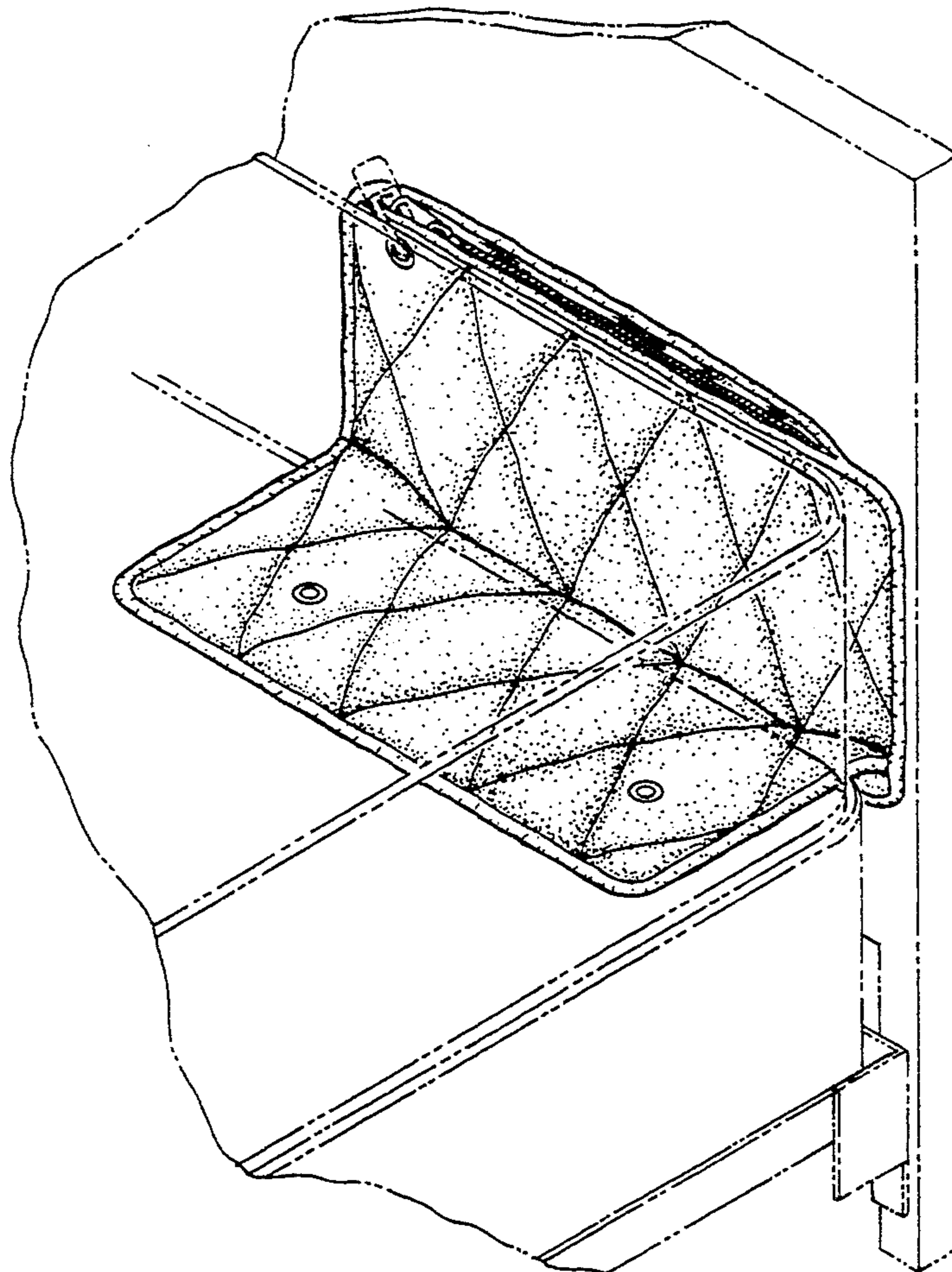


Fig. 1

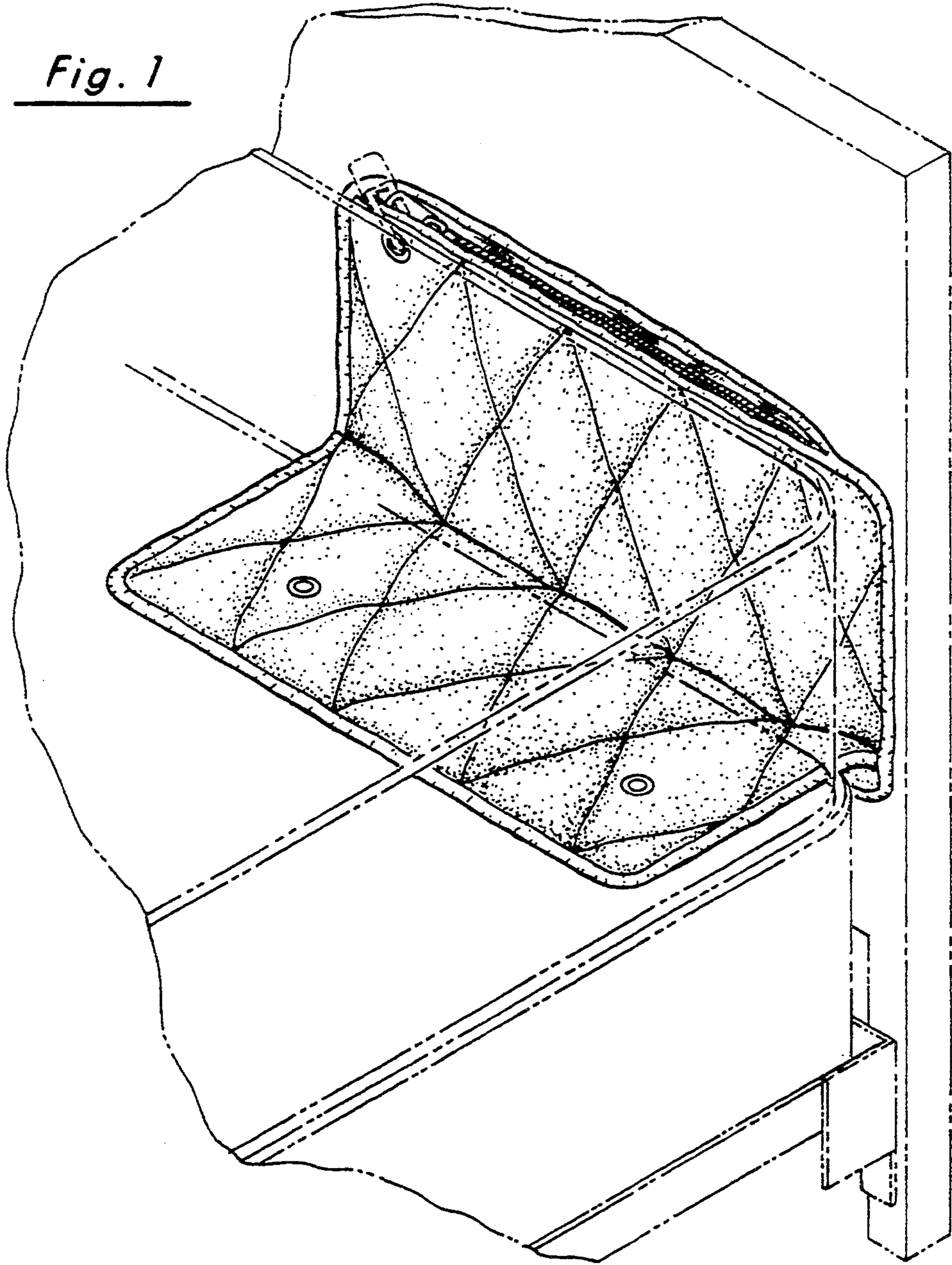
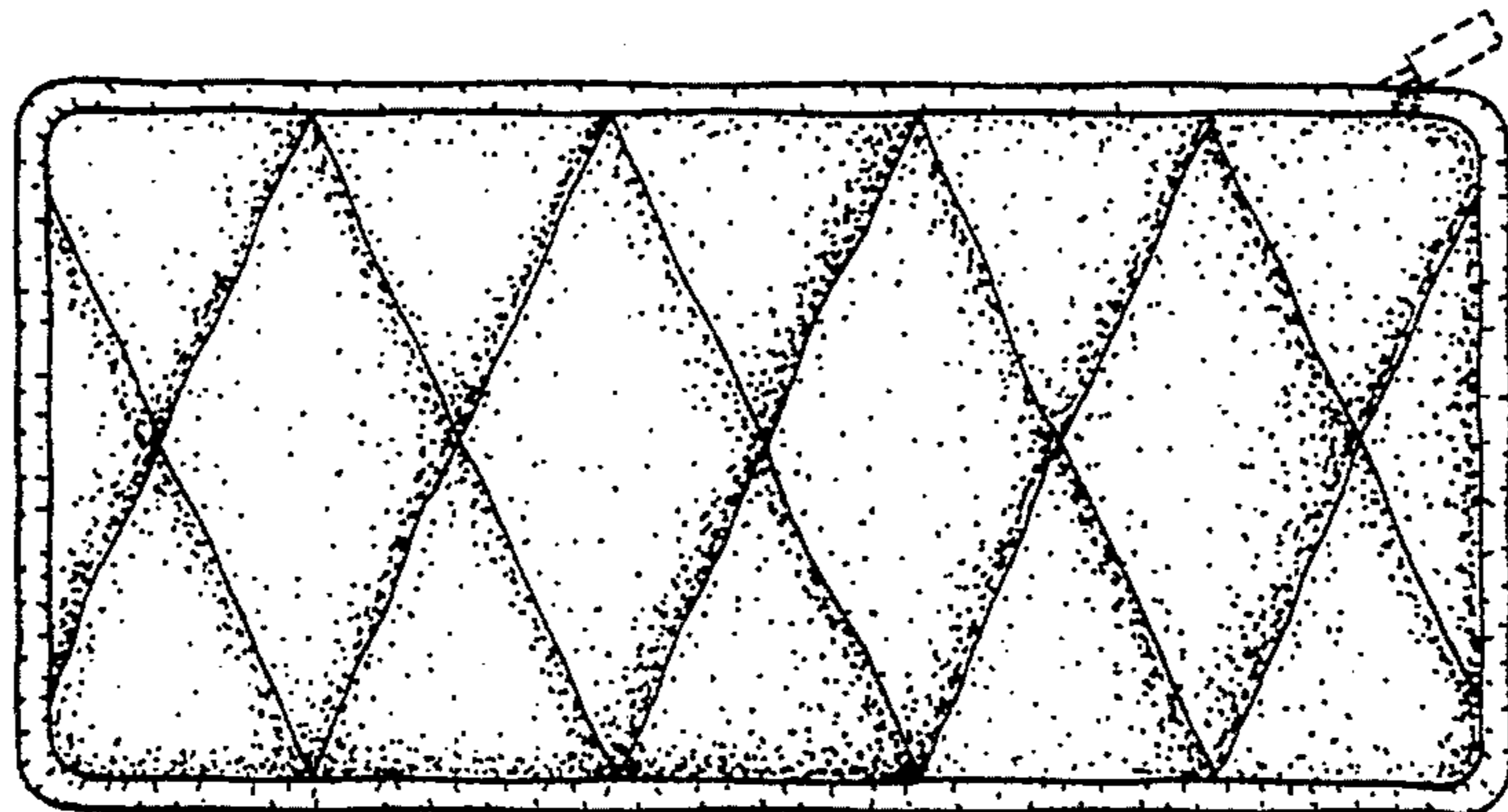


Fig. 2



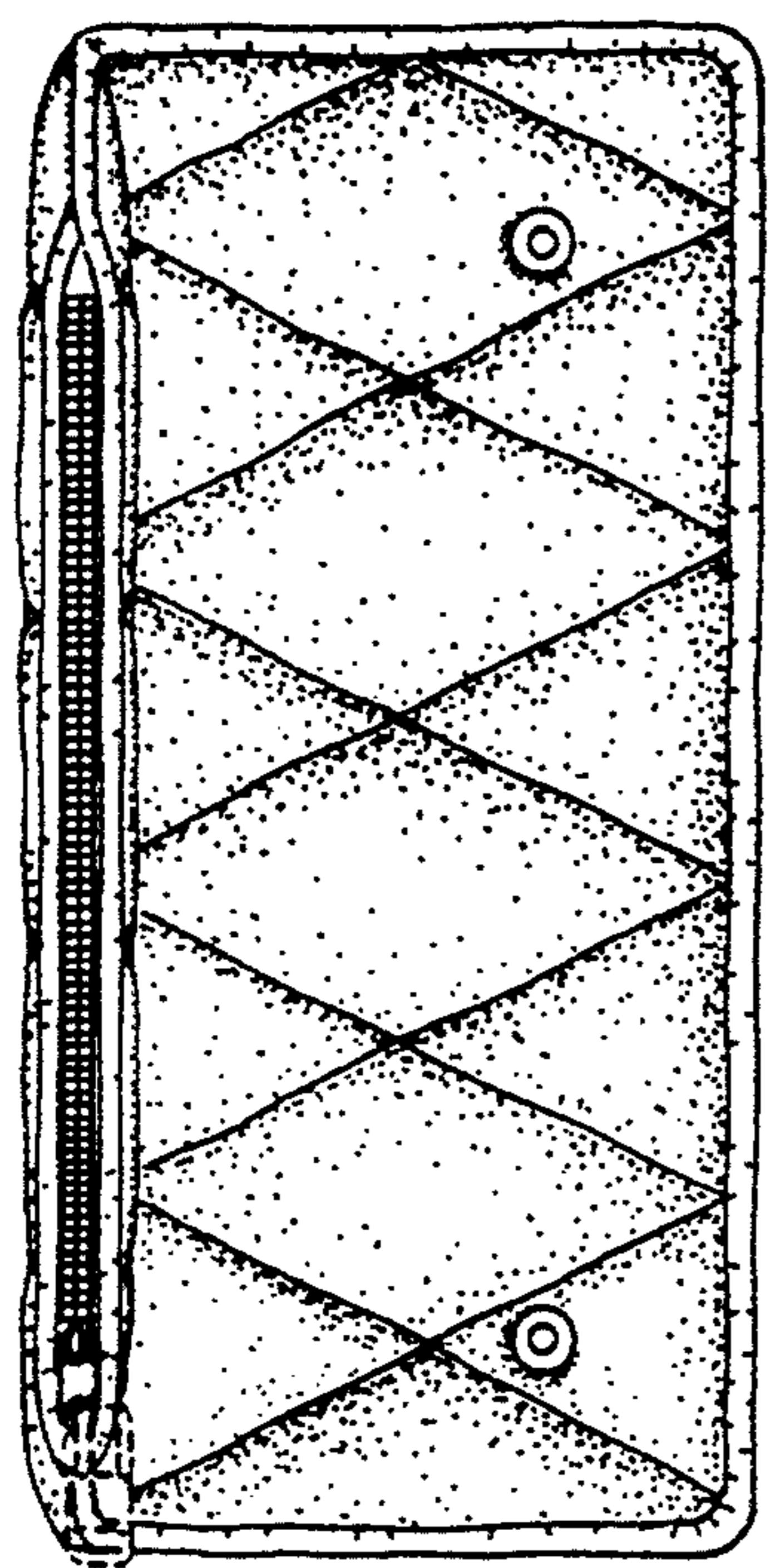


Fig. 6

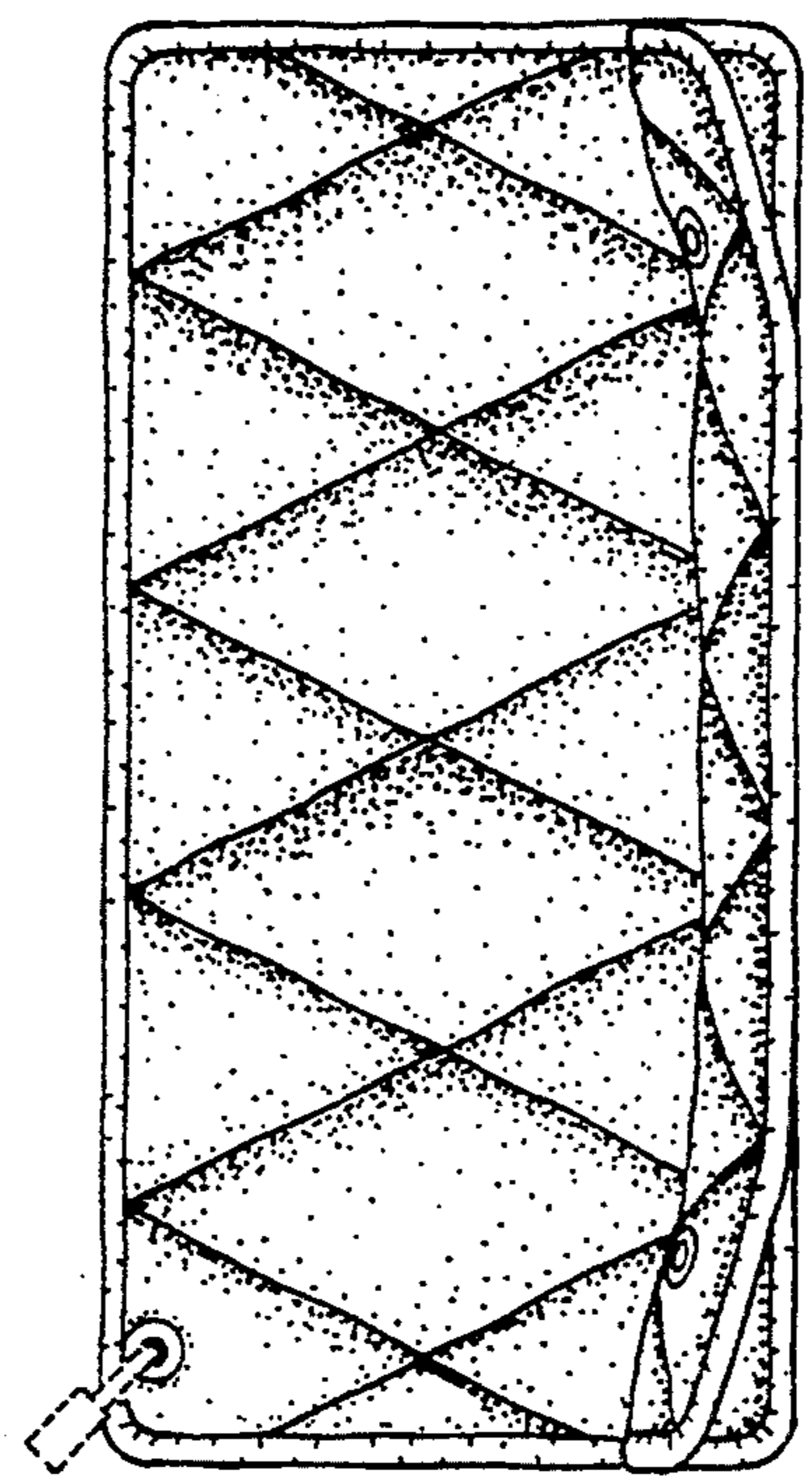


Fig. 3

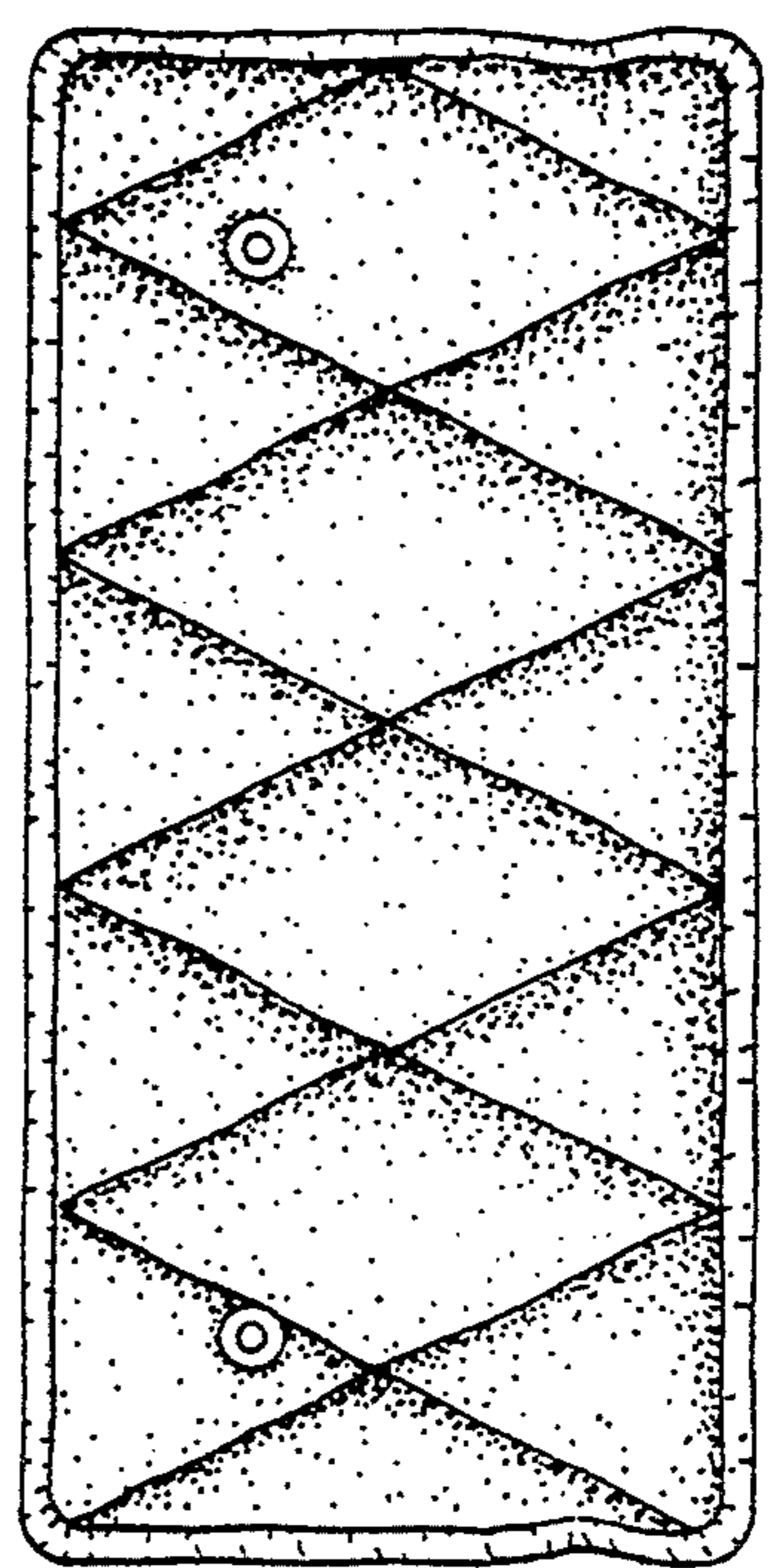


Fig. 7

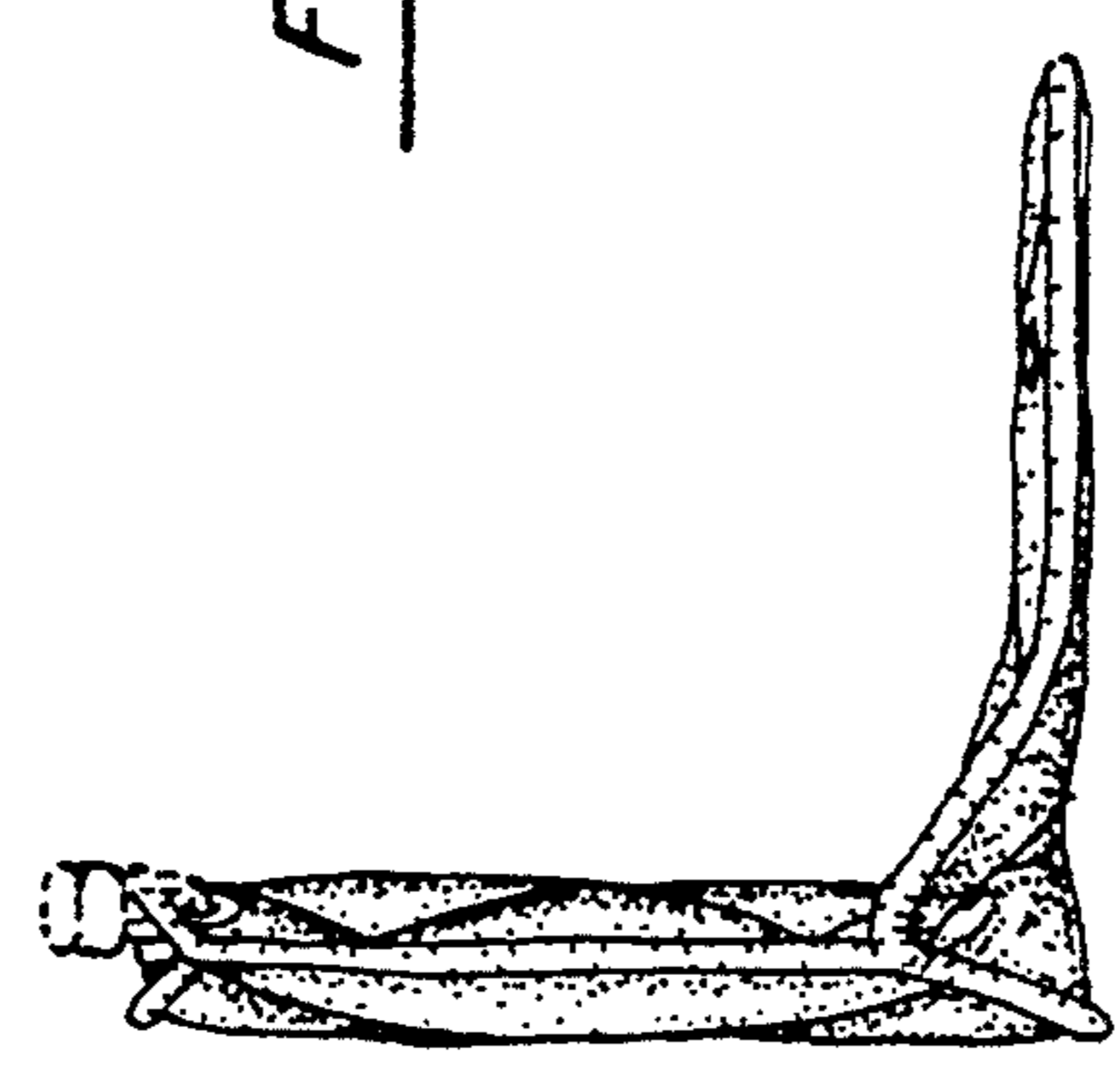


Fig. 5

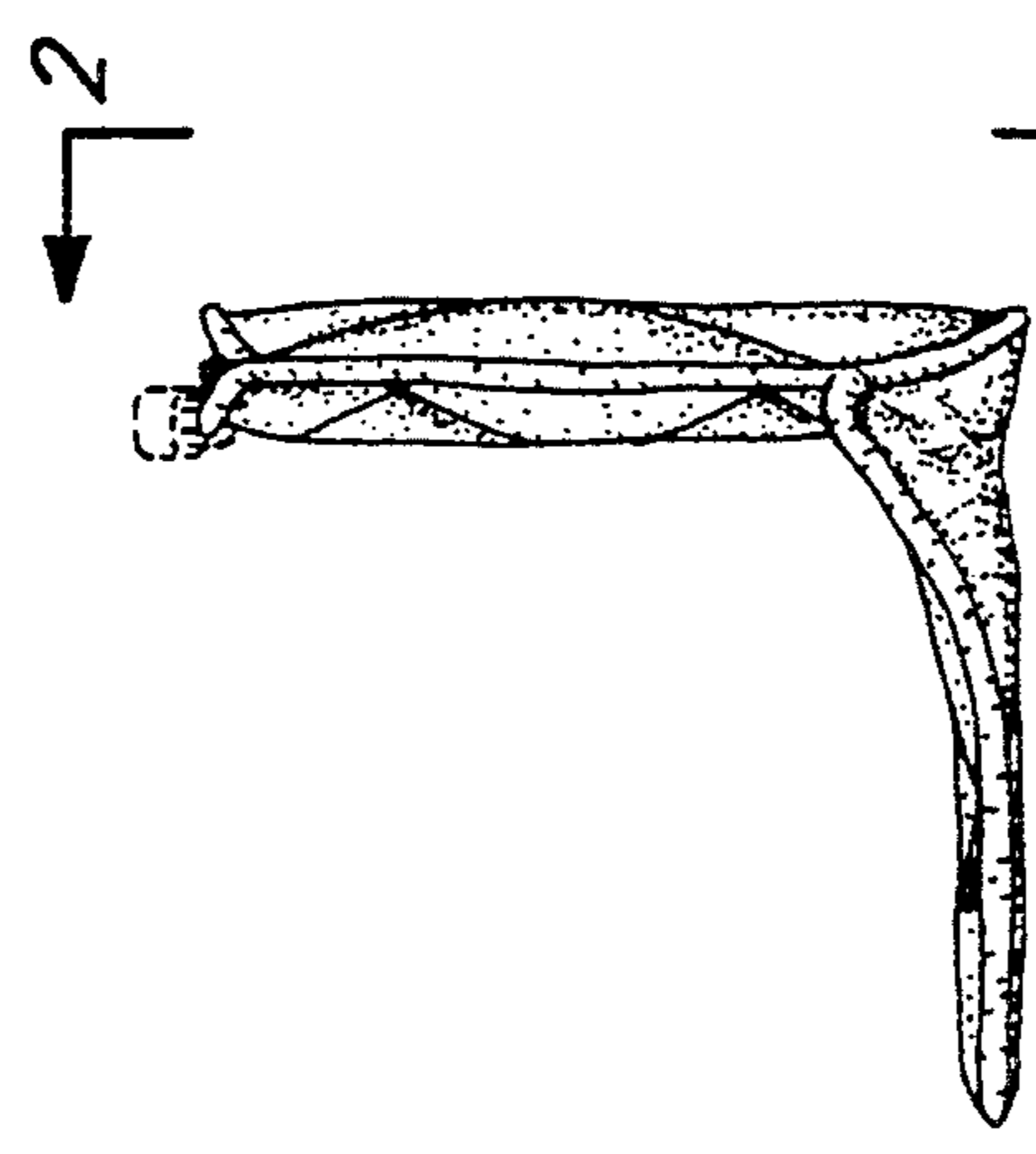


Fig. 4

