



US00D358283S

# United States Patent [19]

[11] Patent Number: **Des. 358,283**

**Kelly**

[45] Date of Patent: **\*\* May 16, 1995**

- [54] TABLE
- [75] Inventor: **Gordon D. Kelly**, Elm Grove, Wis.
- [73] Assignee: **Bemis Manufacturing Company**, Sheboygan Falls, Wis.
- [\*\*] Term: **14 Years**
- [21] Appl. No.: **5,223**
- [22] Filed: **Feb. 19, 1993**
- [52] U.S. Cl. .... **D6/484; D6/349**
- [58] Field of Search ..... **D6/480-489, D6/495, 511, 349; 108/150, 153, 156, 161; 297/423, 461**

- D. 317,839 7/1991 Pino .
- D. 335,053 4/1993 Morin ..... D6/484

### FOREIGN PATENT DOCUMENTS

- 63278 5/1989 Canada .

*Primary Examiner*—Janice E. Seeger  
*Attorney, Agent, or Firm*—Michael, Best & Friedrich

### [57] CLAIM

The ornamental design for a table, as shown and described.

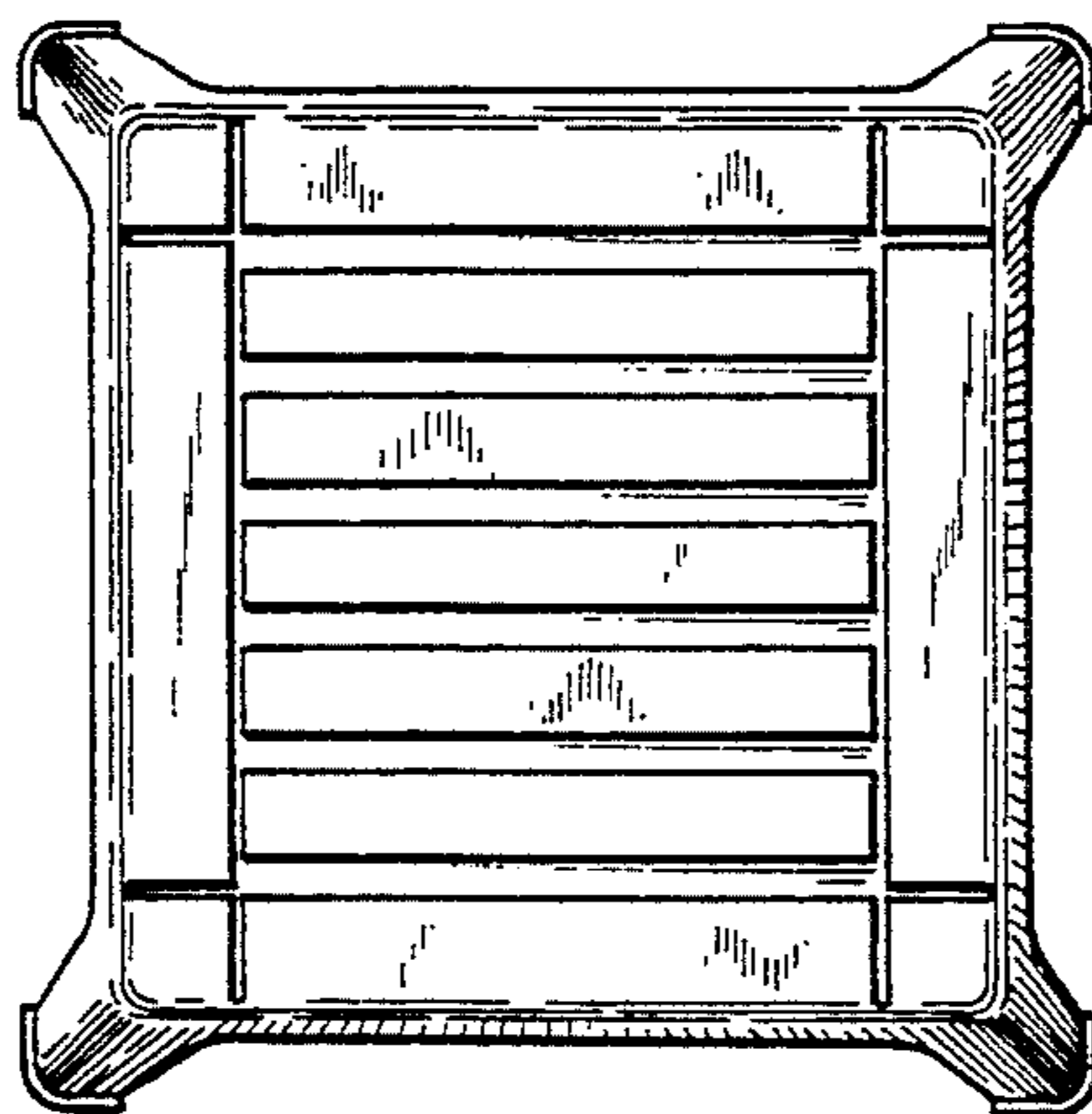
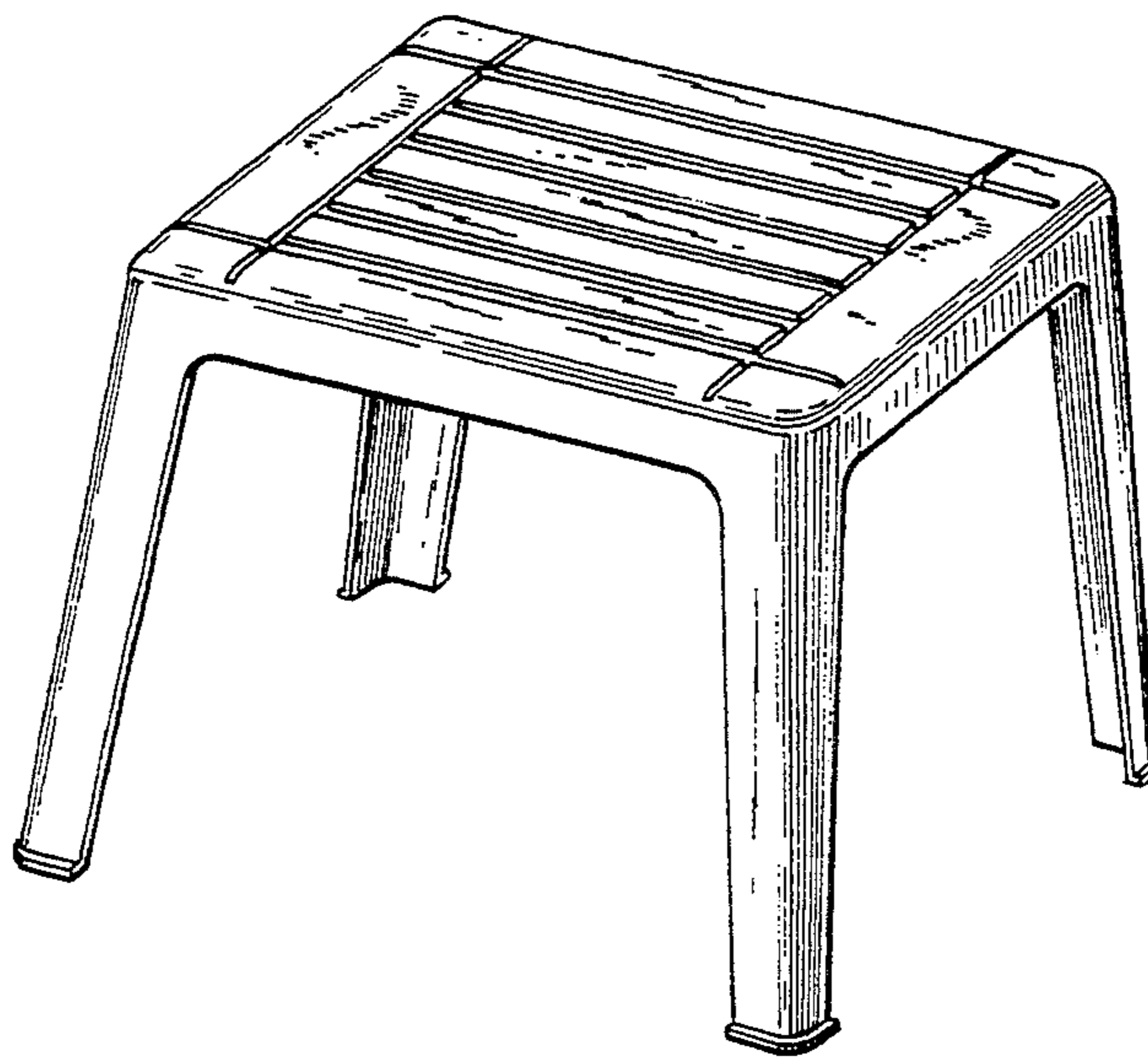
### DESCRIPTION

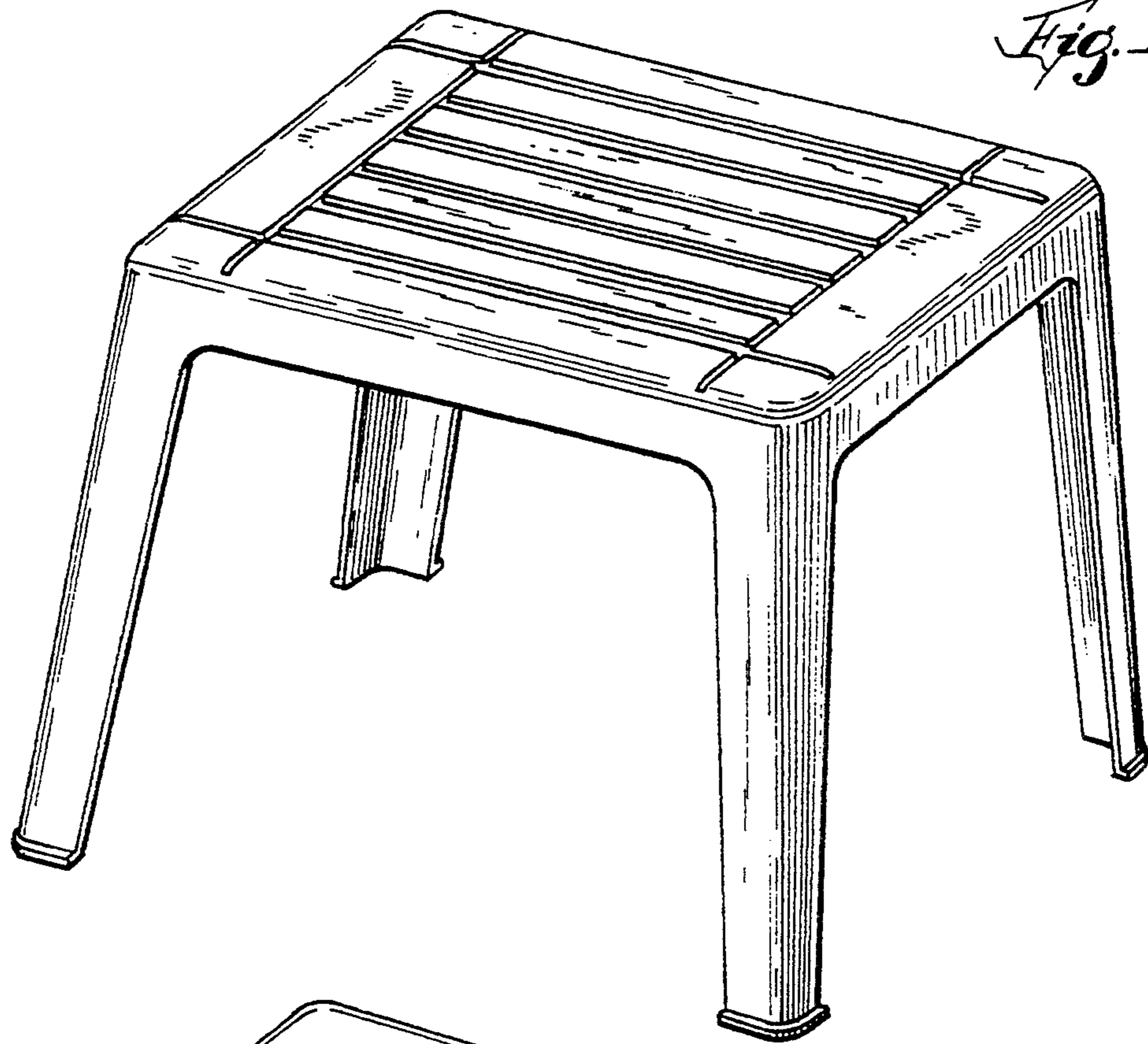
FIG. 1 is a top perspective view of a table showing my new design;  
 FIG. 2 is a bottom perspective view thereof;  
 FIG. 3 is a top plan view thereof;  
 FIG. 4 is a side elevational view thereof, the remaining three side view being identical to that shown; and,  
 FIG. 5 is a bottom plan view thereof.  
 The characteristic feature of the design resides in the particular configuration of the table top as best shown in FIG. 3.

### [56] References Cited

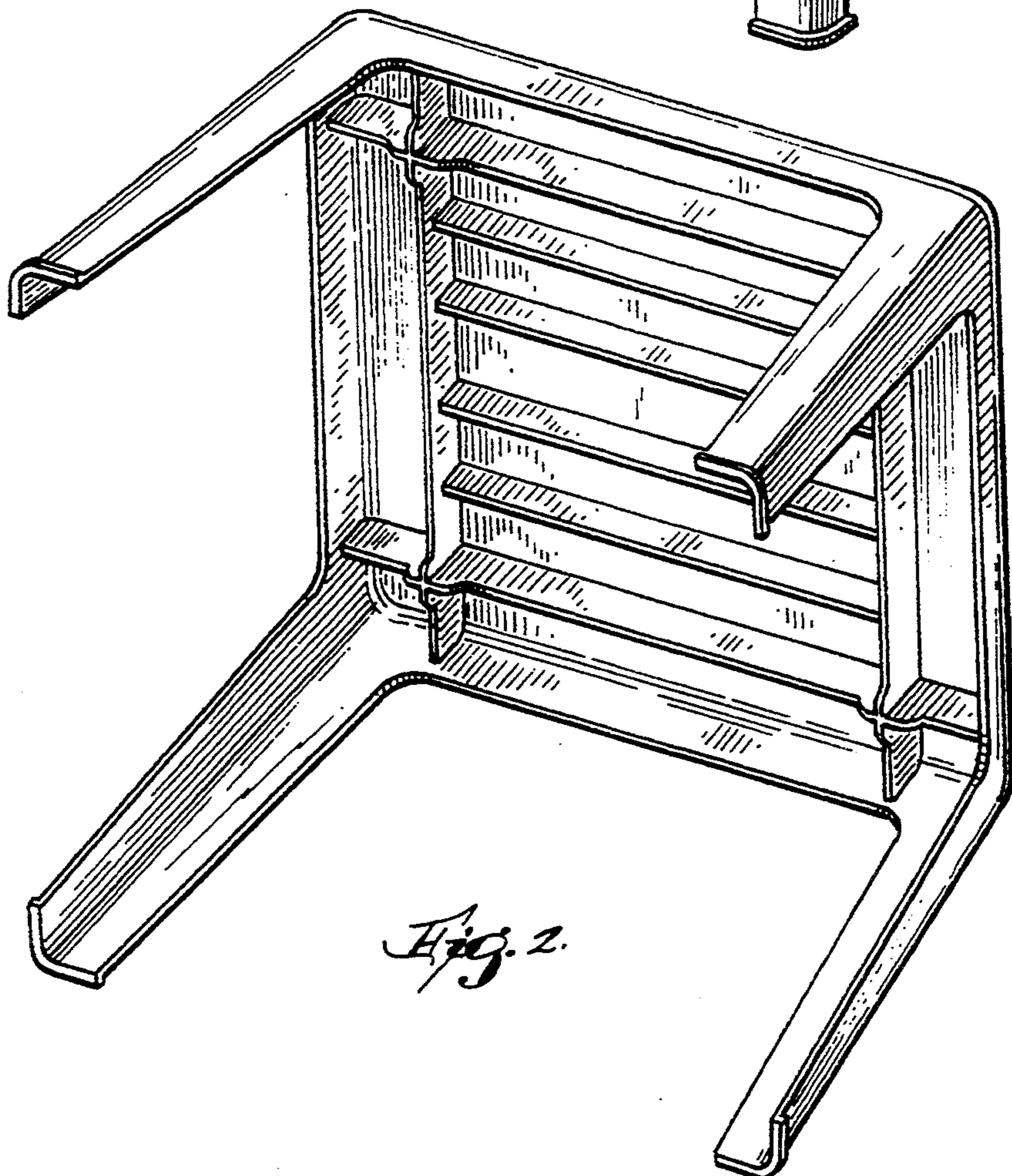
#### U.S. PATENT DOCUMENTS

- D. 215,858 11/1969 Hamilton ..... D6/485
- D. 224,494 8/1972 Kerman .
- D. 263,524 3/1982 Hanson ..... D6/484 X
- D. 271,256 11/1983 McClelland .
- D. 312,736 12/1990 Grosfillex .
- D. 317,537 6/1991 Pino .



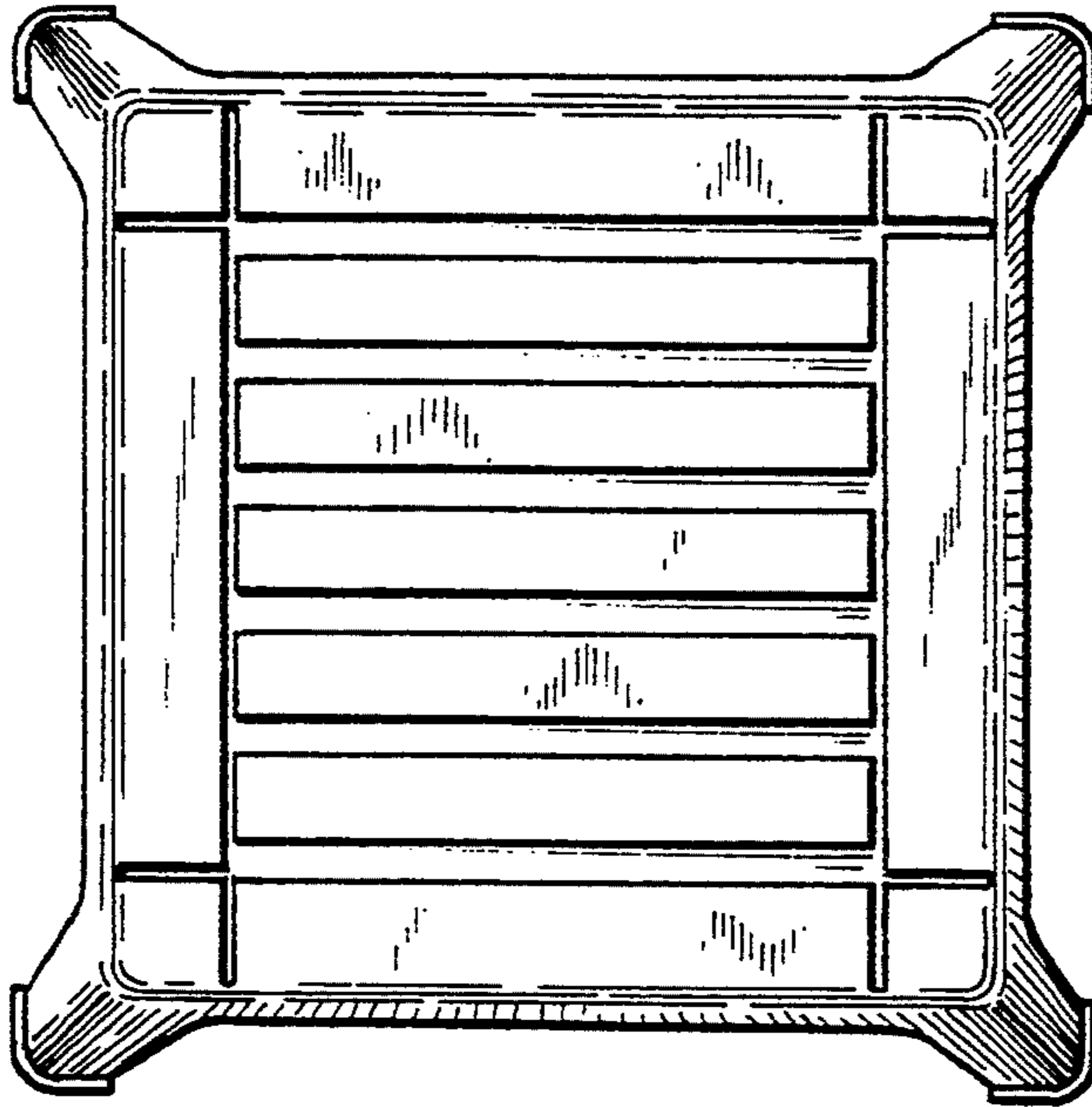


*Fig. 1*

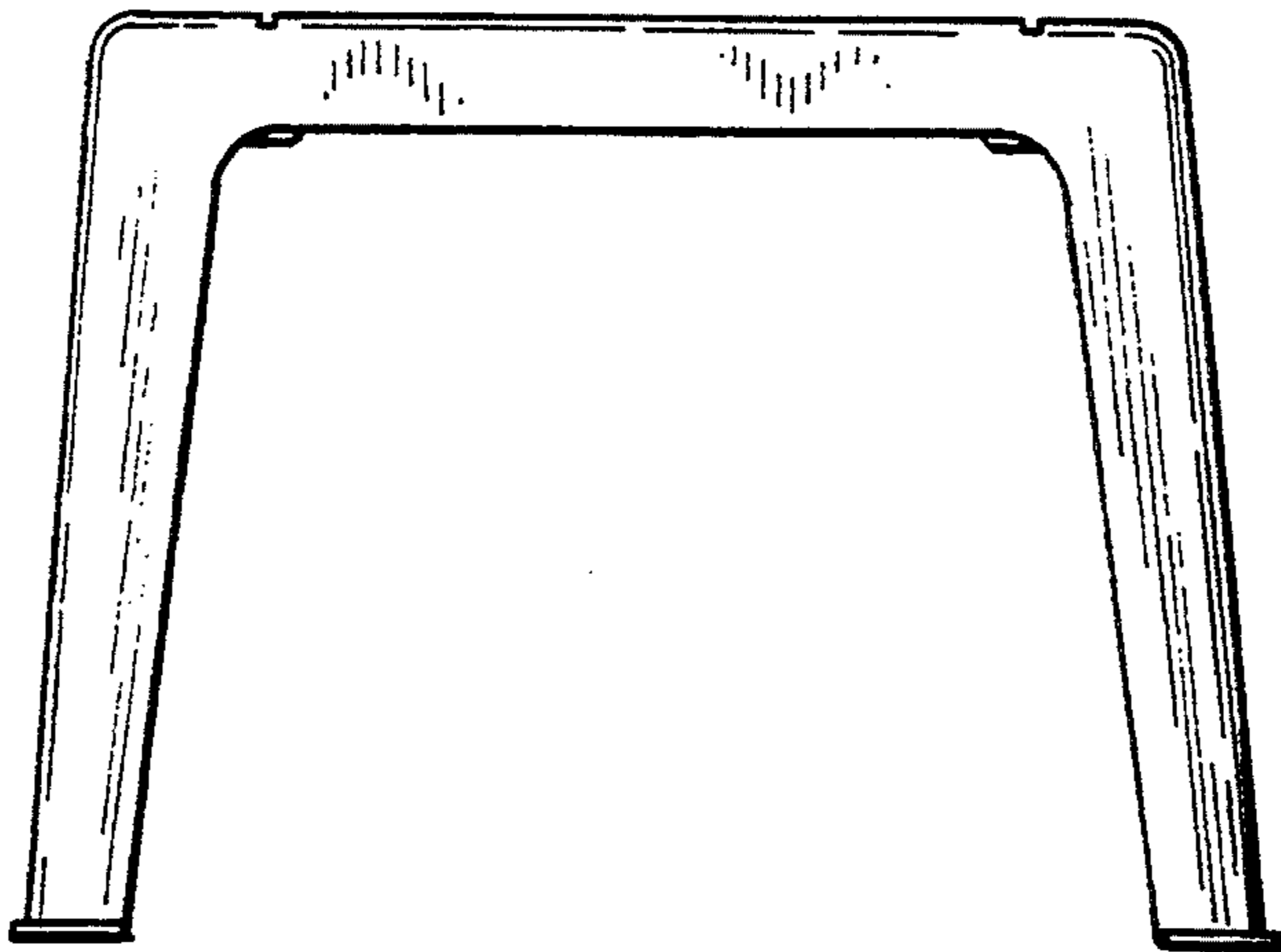


*Fig. 2*

*Fig. 3*



*Fig. 4*



*Fig. 5*

