



US00D358271S

United States Patent [19]

[11] Patent Number: **Des. 358,271**

Leveen et al.

[45] Date of Patent: **** May 16, 1995**

[54] STAND FOR READING MATERIALS

[75] Inventors: **Steven Leveen; Lori G. Leveen**, both of Boca Raton; **Israel Pycher**, Plantation; **Christopher Roncone**, Lake Worth; **Laura McColskey**, Palm Beach Gardens, all of Fla.

[73] Assignee: **Levenger Company**, Delray Beach, Fla.

[**] Term: **14 Years**

[21] Appl. No.: **7,834**

[22] Filed: **Apr. 30, 1993**

[52] U.S. Cl. **D6/419; D19/91**

[58] Field of Search **D6/419, 420, 310-313, D6/429-431; D19/88, 90, 91; 248/454-457, 441.1, 448, 449, 451; 211/42, 43**

[56] References Cited

U.S. PATENT DOCUMENTS

D. 287,914	1/1987	Woolf	D6/419
D. 312,175	11/1990	Kelley	D6/419
D. 344,547	2/1994	Tietje	D19/90

1,602,338	10/1926	Chittenden	248/448
2,568,354	9/1951	Moore	248/448
2,597,581	5/1952	Grant	211/43 X
2,691,238	10/1954	Svatos	D6/419 X
3,007,278	11/1961	Million	248/448 X

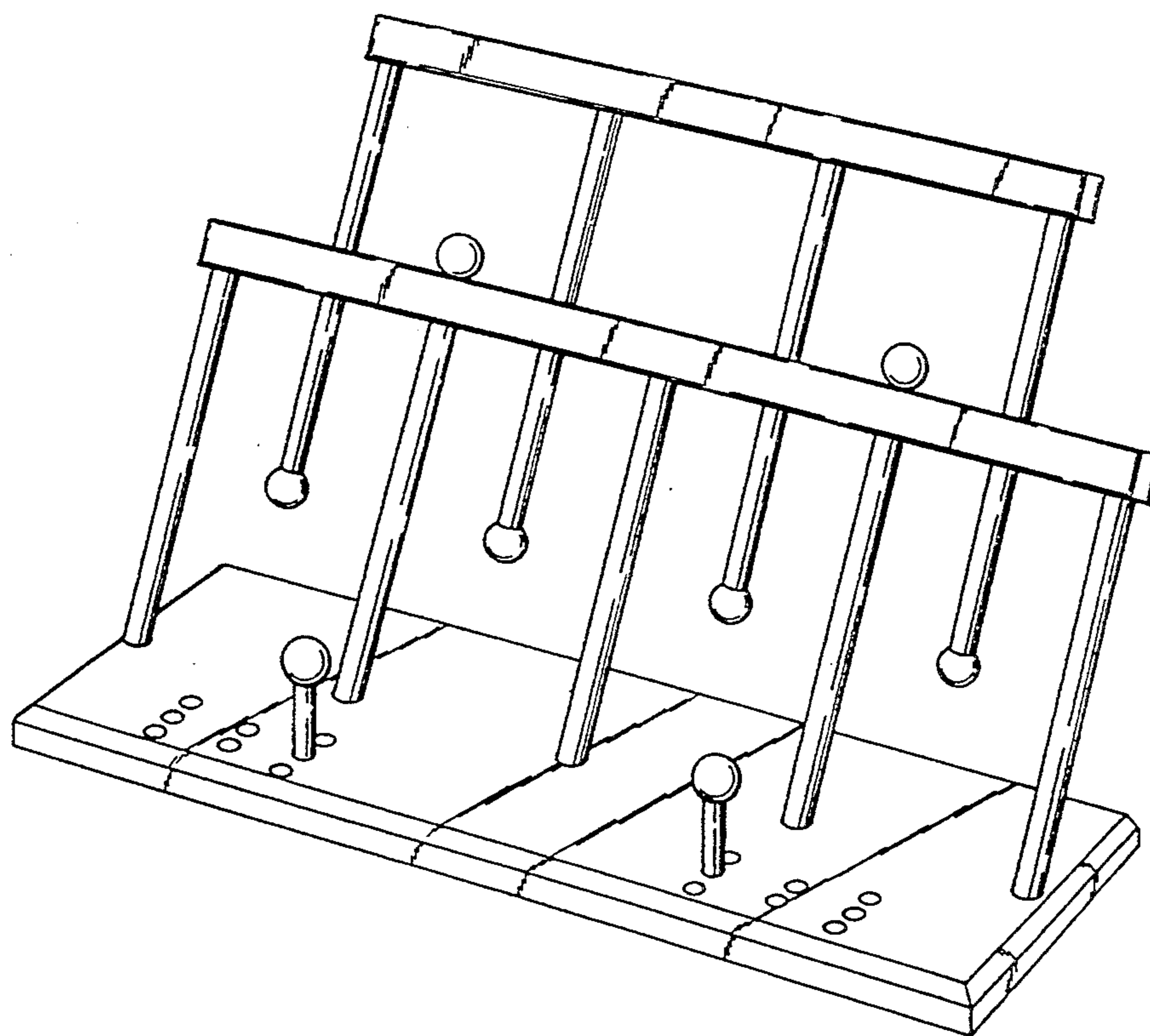
Primary Examiner—Carmen H. Vales-Lado
Attorney, Agent, or Firm—Quarles & Brady

[57] CLAIM

The ornamental design for a stand for reading materials, as shown and described.

DESCRIPTION

FIG. 1 is a front, right perspective view; FIG. 2 is a right side elevational view; FIG. 3 is a left side elevational view; FIG. 4 is a front elevational view; FIG. 5 is a rear elevational view; FIG. 6 is a top plan view; FIG. 7 is a bottom plan view; FIG. 8 is a front elevational view of a first alternate position of use; and, FIG. 9 is a front elevational view of a second alternate position of use.



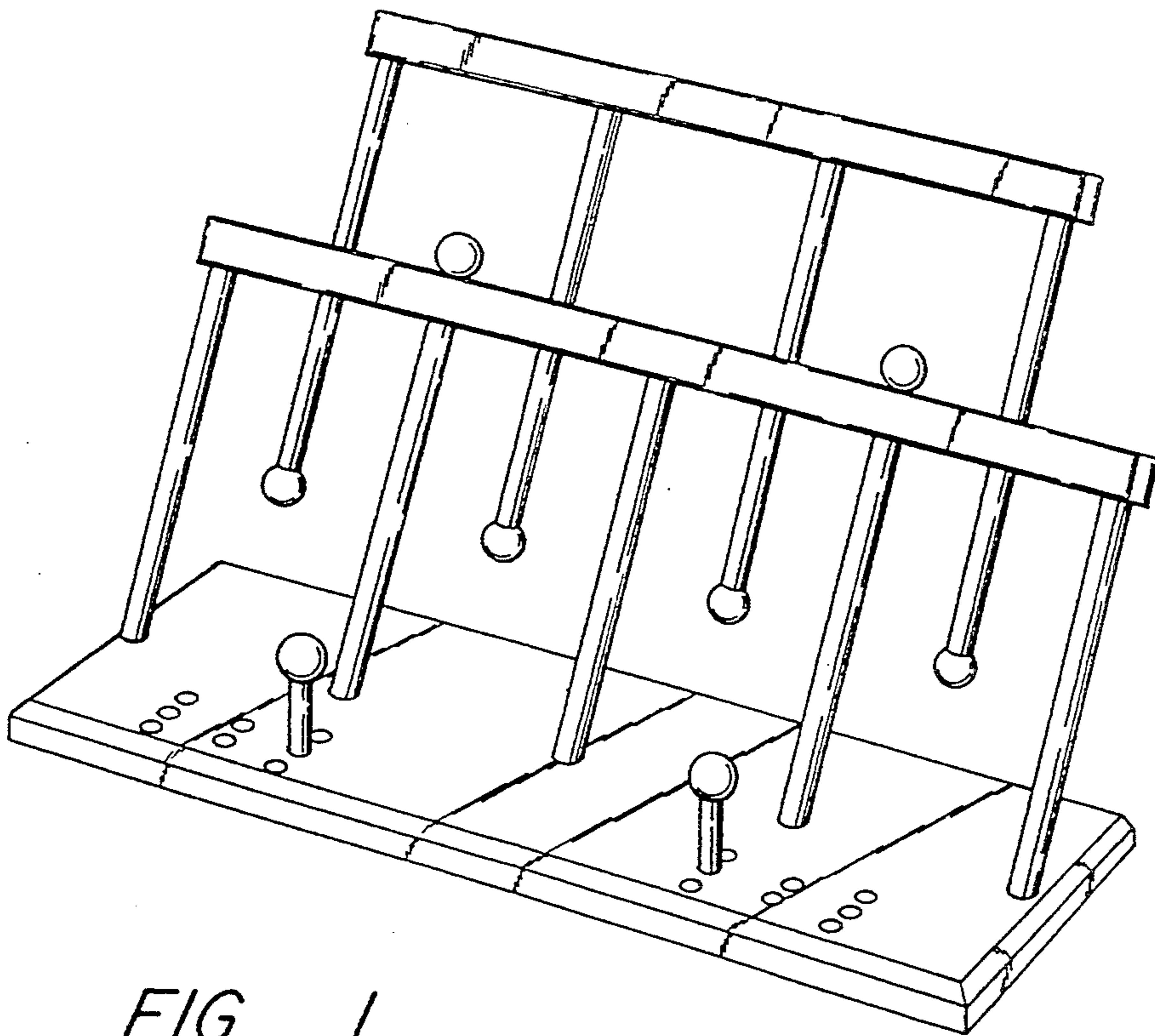


FIG. 1

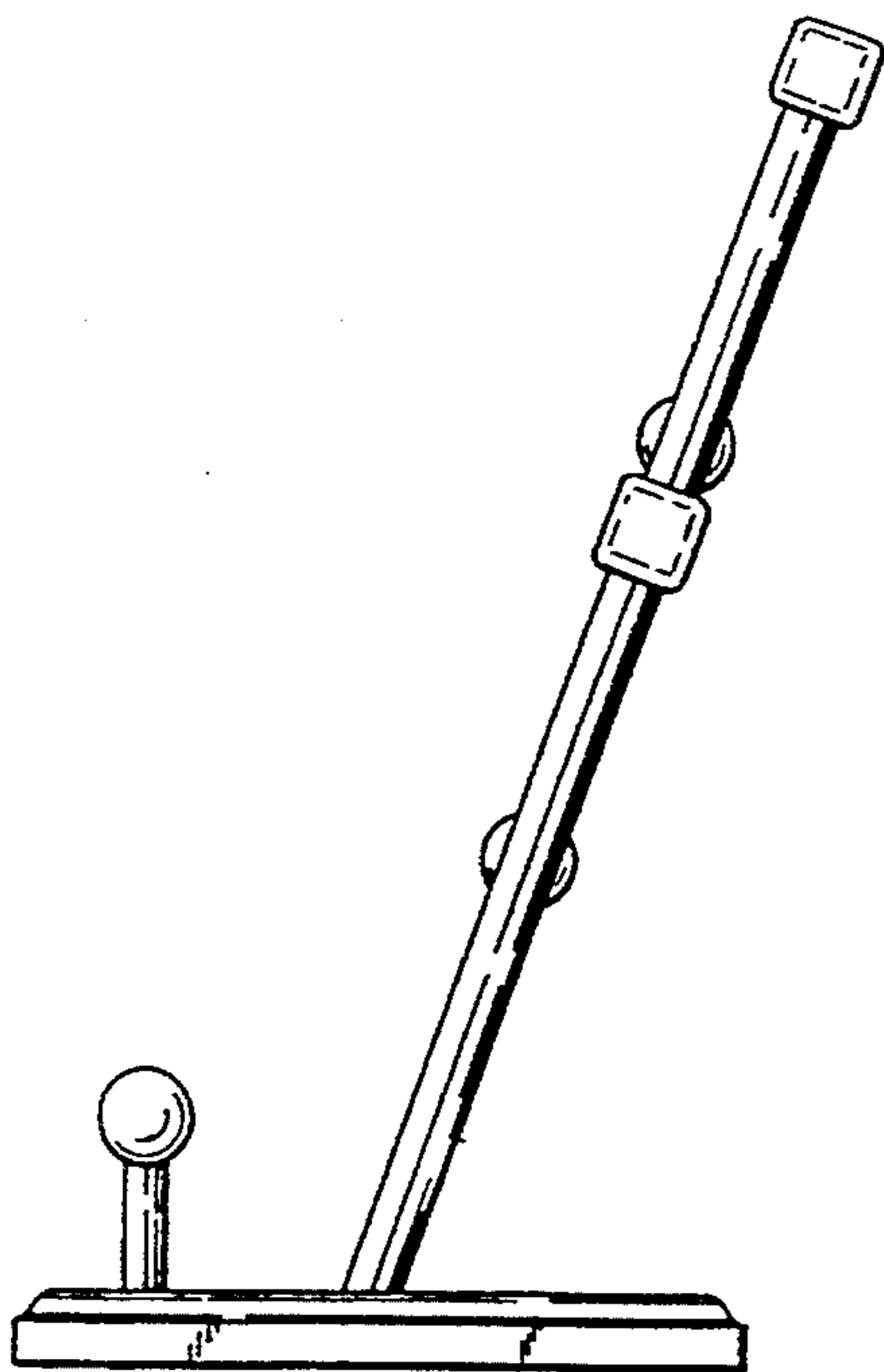


FIG. 2

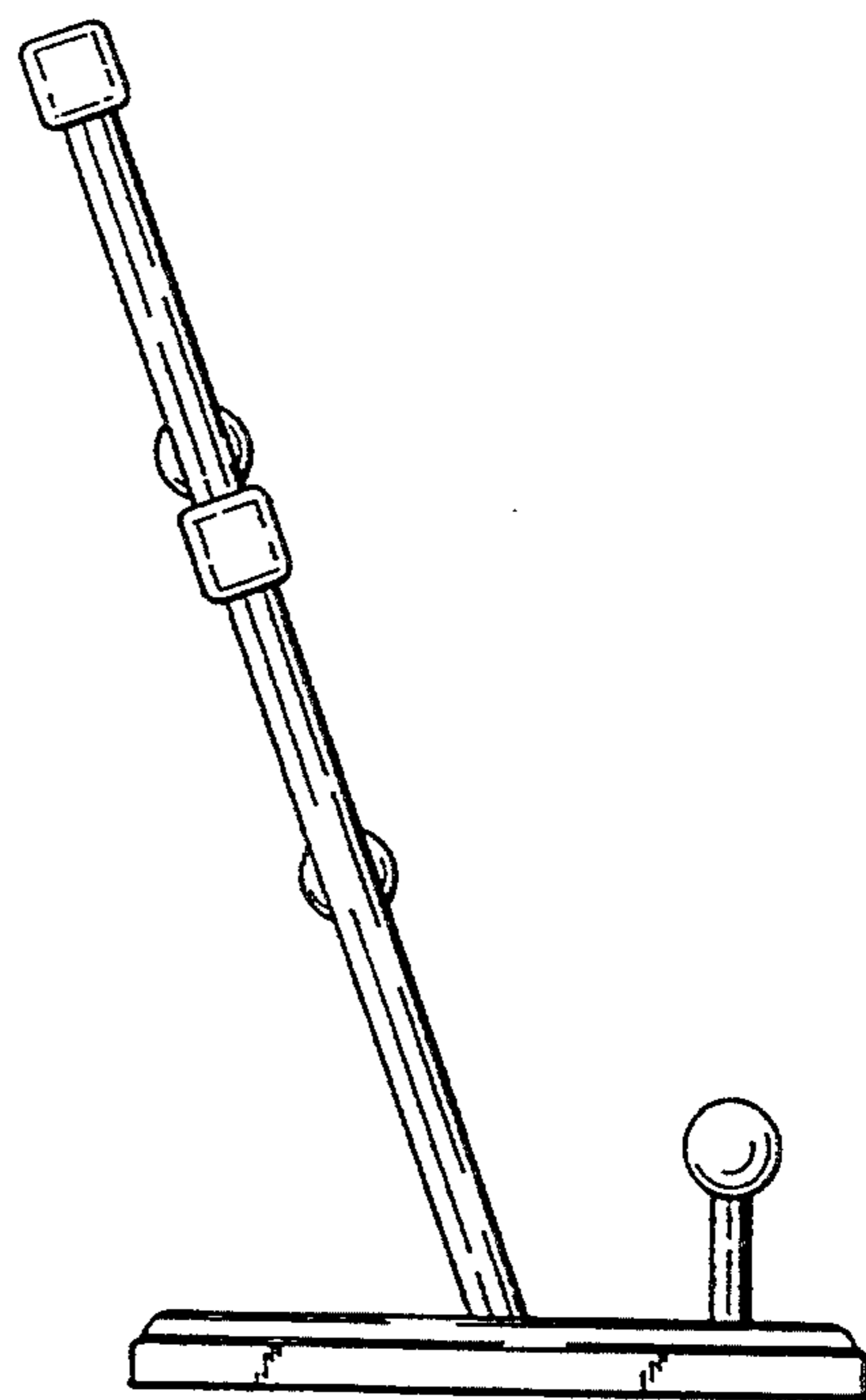


FIG. 3

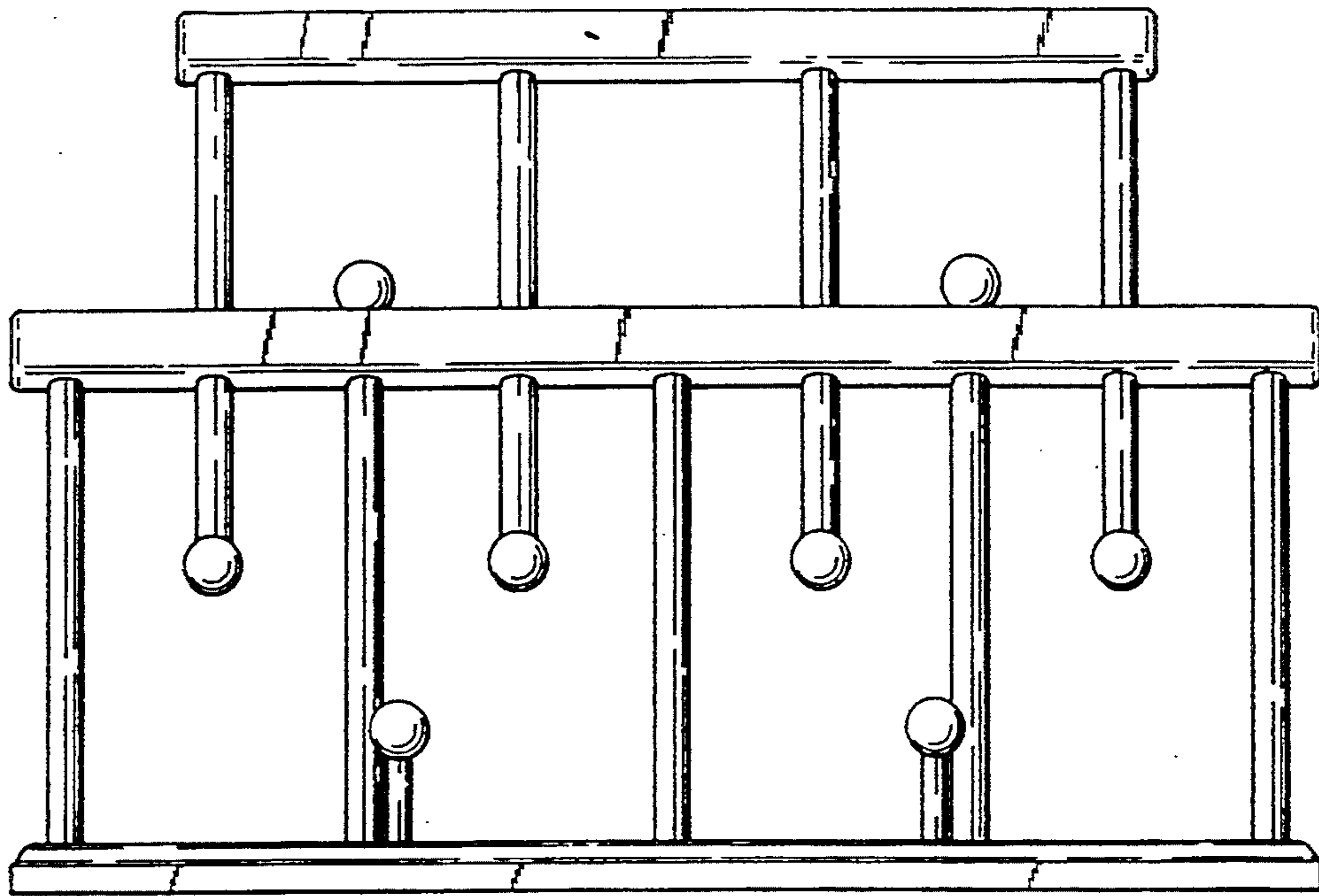


FIG. 4

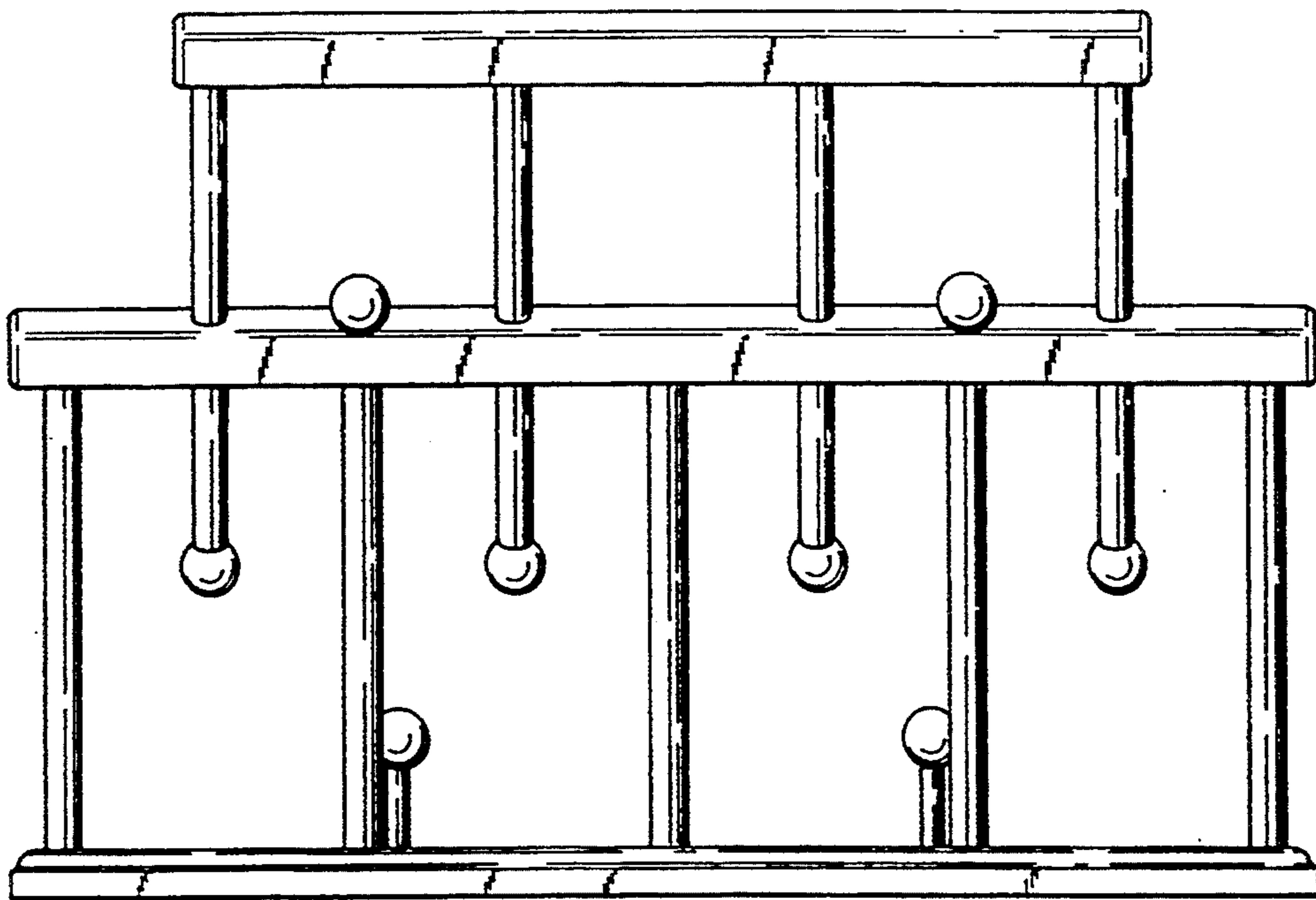


FIG. 5

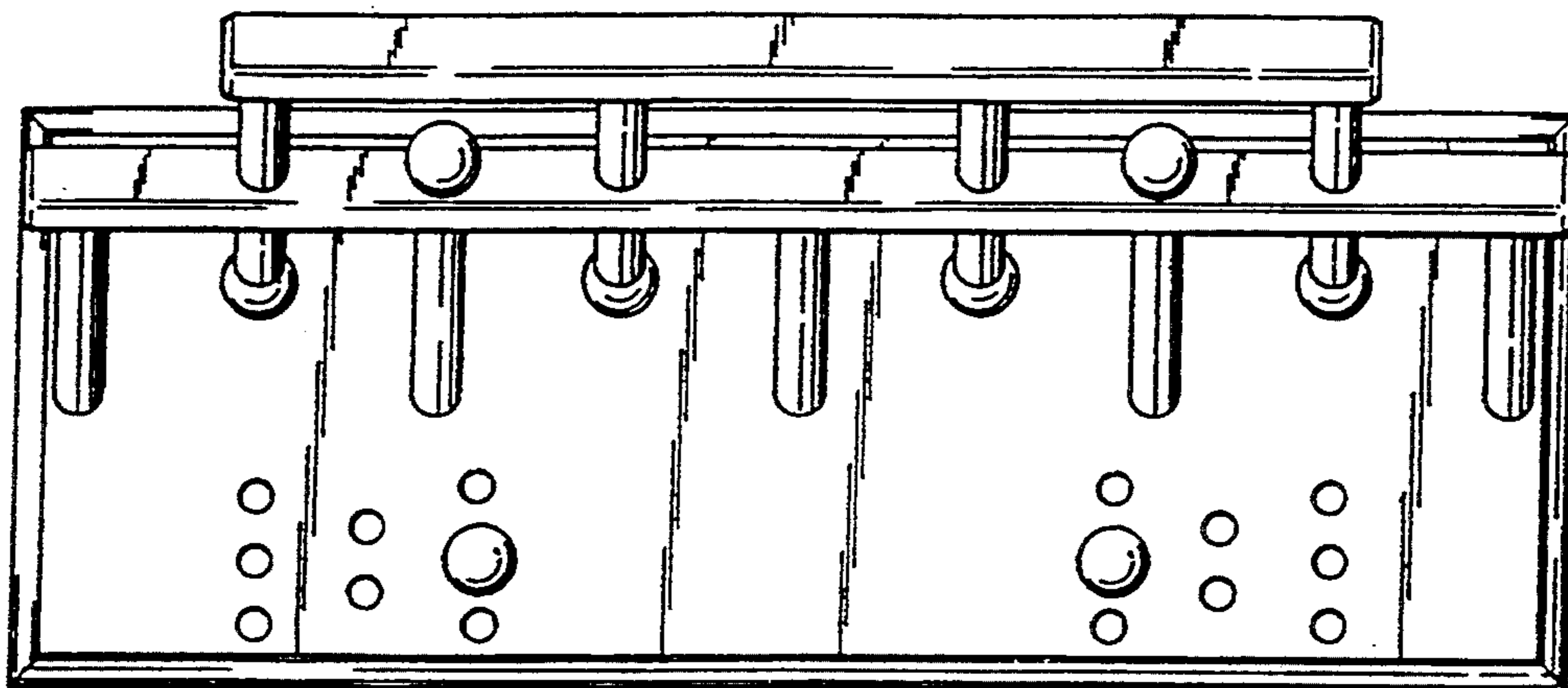


FIG. 6

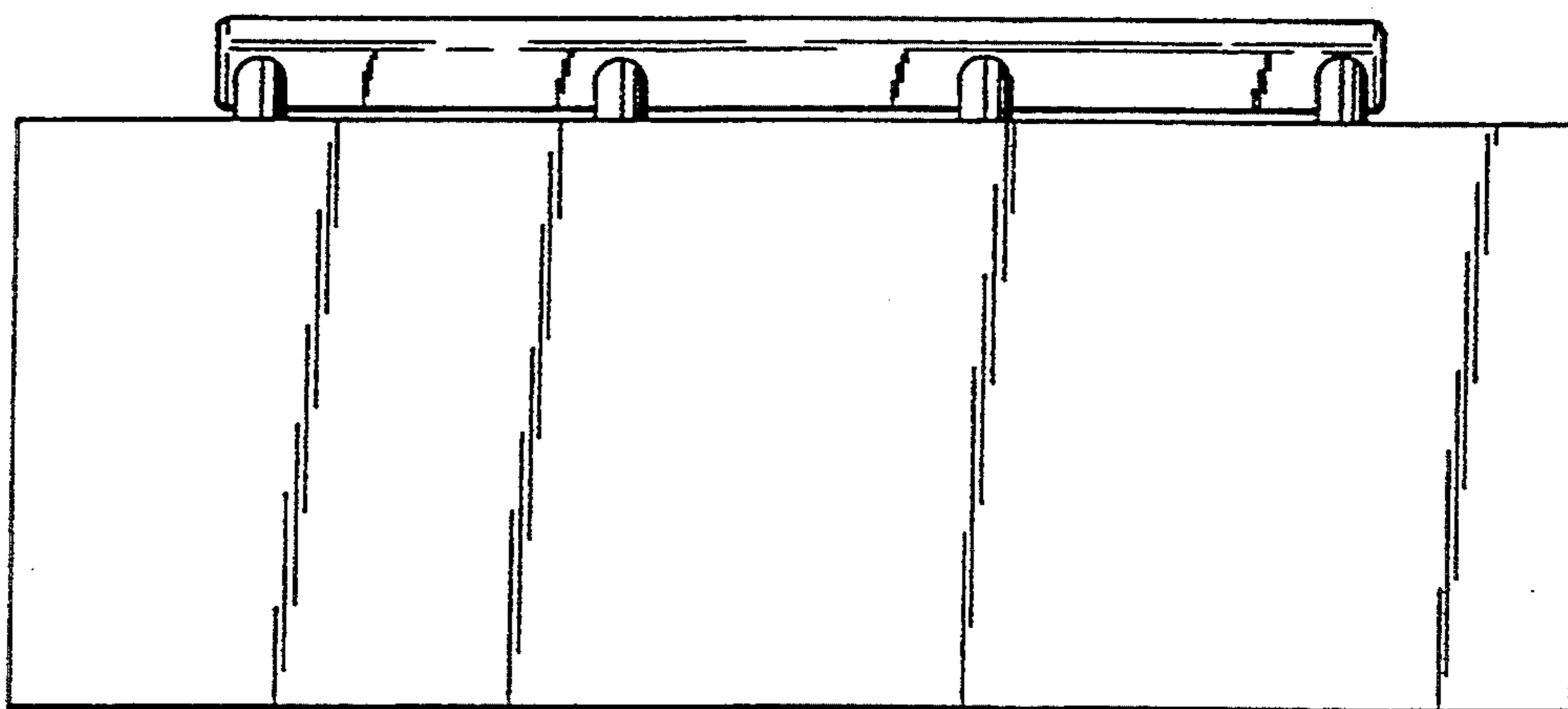


FIG. 7

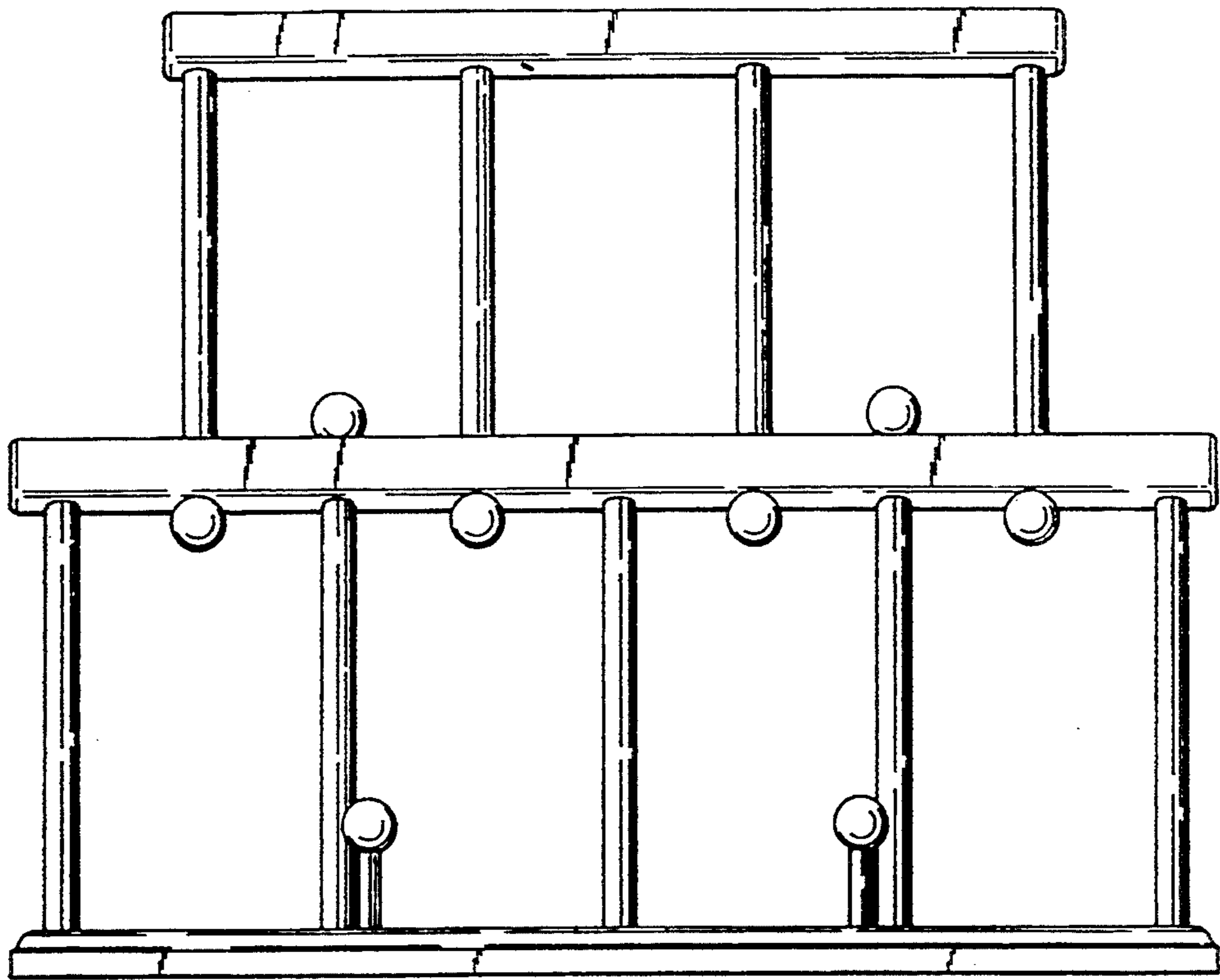


FIG. 8

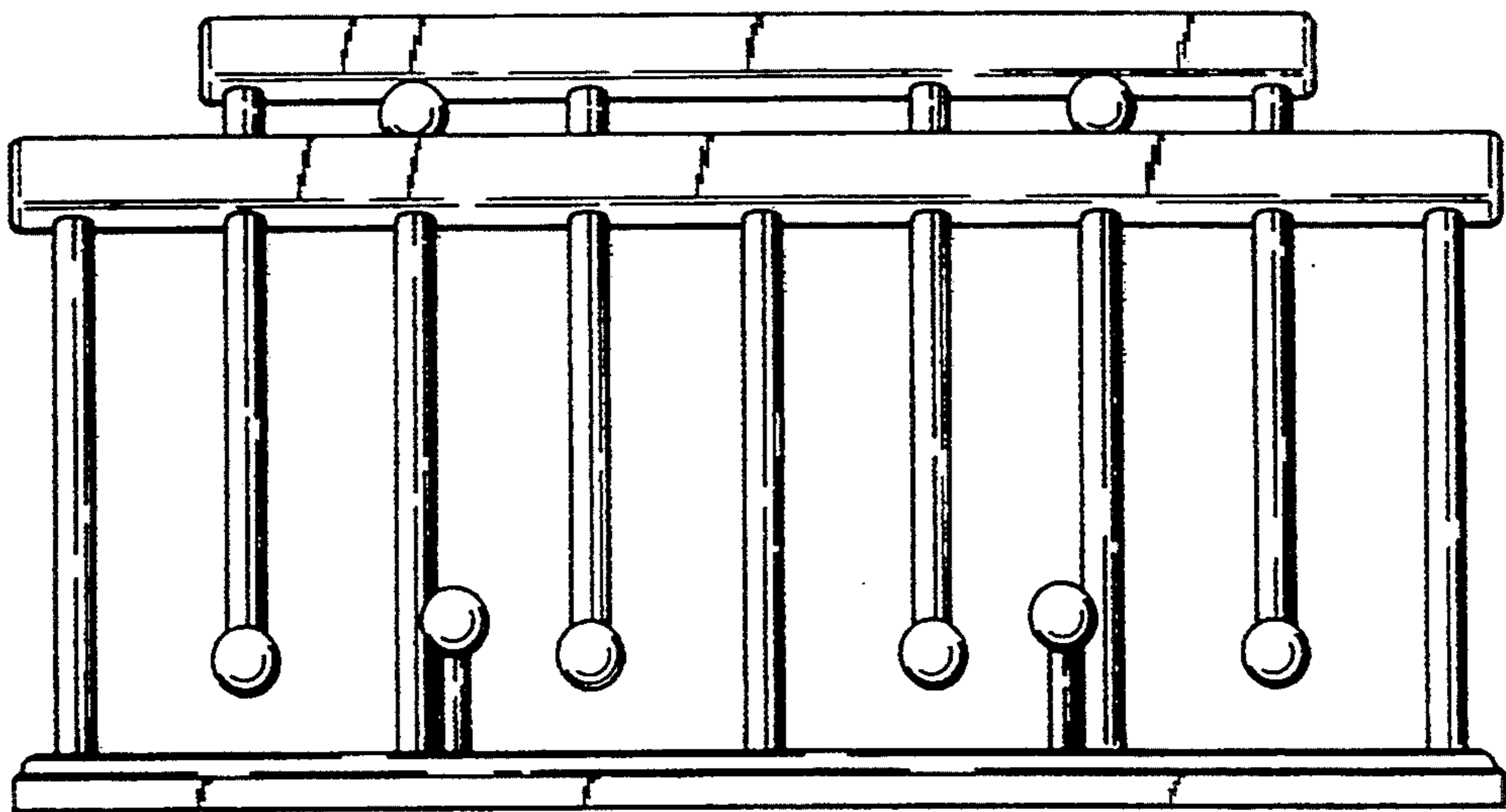


FIG. 9