



US00D358266S

United States Patent [19]

[11] Patent Number: **Des. 358,266**

Hess

[45] Date of Patent: **** May 16, 1995**

[54] **CHAIR FRAME**

D. 324,786 3/1992 Saiger D6/379

[75] Inventor: **Stephen C. Hess**, Birmingham, Ala.

OTHER PUBLICATIONS

[73] Assignee: **Winston Furniture Company of Alabama, Inc.**, Birmingham, Ala.

Advertising Flyer, dated Apr. 13, 1992 by Evans.

[**] Term: **14 Years**

Primary Examiner—Alan P. Douglas
Assistant Examiner—Gary D. Watson
Attorney, Agent, or Firm—Hardaway Law Firm

[21] Appl. No.: **7,402**

[57] **CLAIM**

[22] Filed: **Apr. 21, 1993**

The ornamental design for a chair frame, as shown and described.

[52] U.S. Cl. **D6/379; D6/358; D6/376; D6/380**

[58] Field of Search **D6/334, 358, 370, 374, D6/376, 379, 380, 500, 501, 502; 297/411.41, 411.42, 446**

DESCRIPTION

FIG. 1 is a top elevation view of a chair frame showing my new design;

[56] **References Cited**

U.S. PATENT DOCUMENTS

- D. 262,077 12/1981 Deconinck D6/370
- D. 268,152 3/1983 Rausch D6/334
- D. 279,842 7/1985 Walker D6/370
- D. 279,943 8/1985 Ogg D6/375
- D. 284,718 7/1986 Massonnet D6/375
- D. 291,510 8/1987 Strousse et al. D6/380
- D. 292,046 9/1987 Walker D6/370
- D. 297,993 10/1988 Kaminski D6/500
- D. 298,090 10/1988 Kaminski D6/379
- D. 303,591 9/1989 Grosfillex D6/370
- D. 303,736 10/1989 Grosfillex D6/379
- D. 317,088 5/1991 Grosfillex D6/379
- D. 317,536 6/1991 Hess D6/380

FIG. 2 is a front elevation of the chair frame of FIG. 1; FIG. 3 is a side elevation of the left side of the chair frame of FIG. 1;

FIG. 4 is a rear elevation view of the chair frame of FIG. 1;

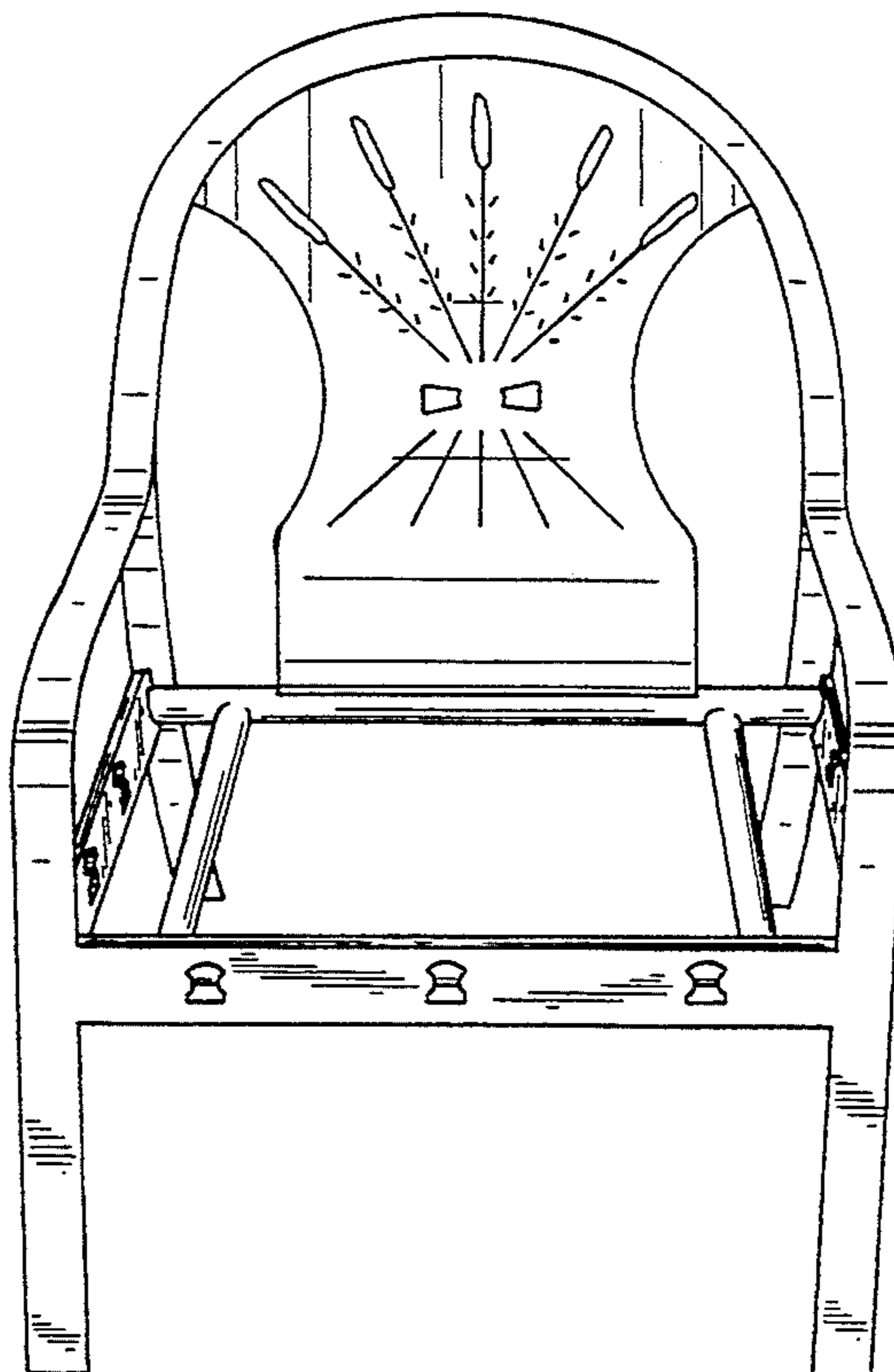
FIG. 5 is a side elevation of the right side of the chair frame of FIG. 1;

FIG. 6 is a bottom elevation view of the chair frame of FIG. 1;

FIG. 7 is a front perspective view of the chair frame of FIG. 1;

FIG. 8 is an enlarged fragmentary view of the back rest; and,

FIG. 9 is an enlarged fragmentary view of one of the openings shown on the side and front stretchers.



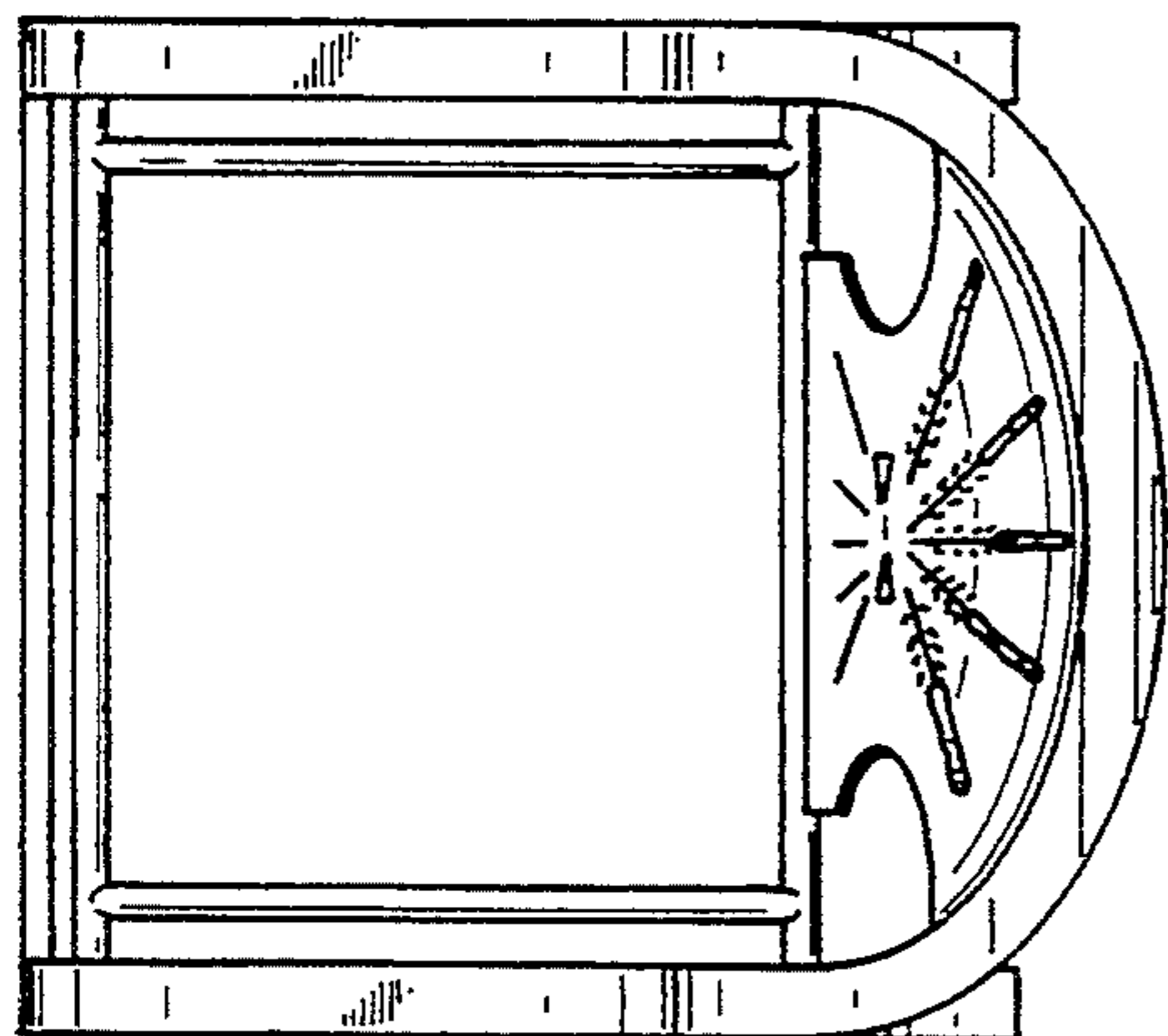


FIG. 1

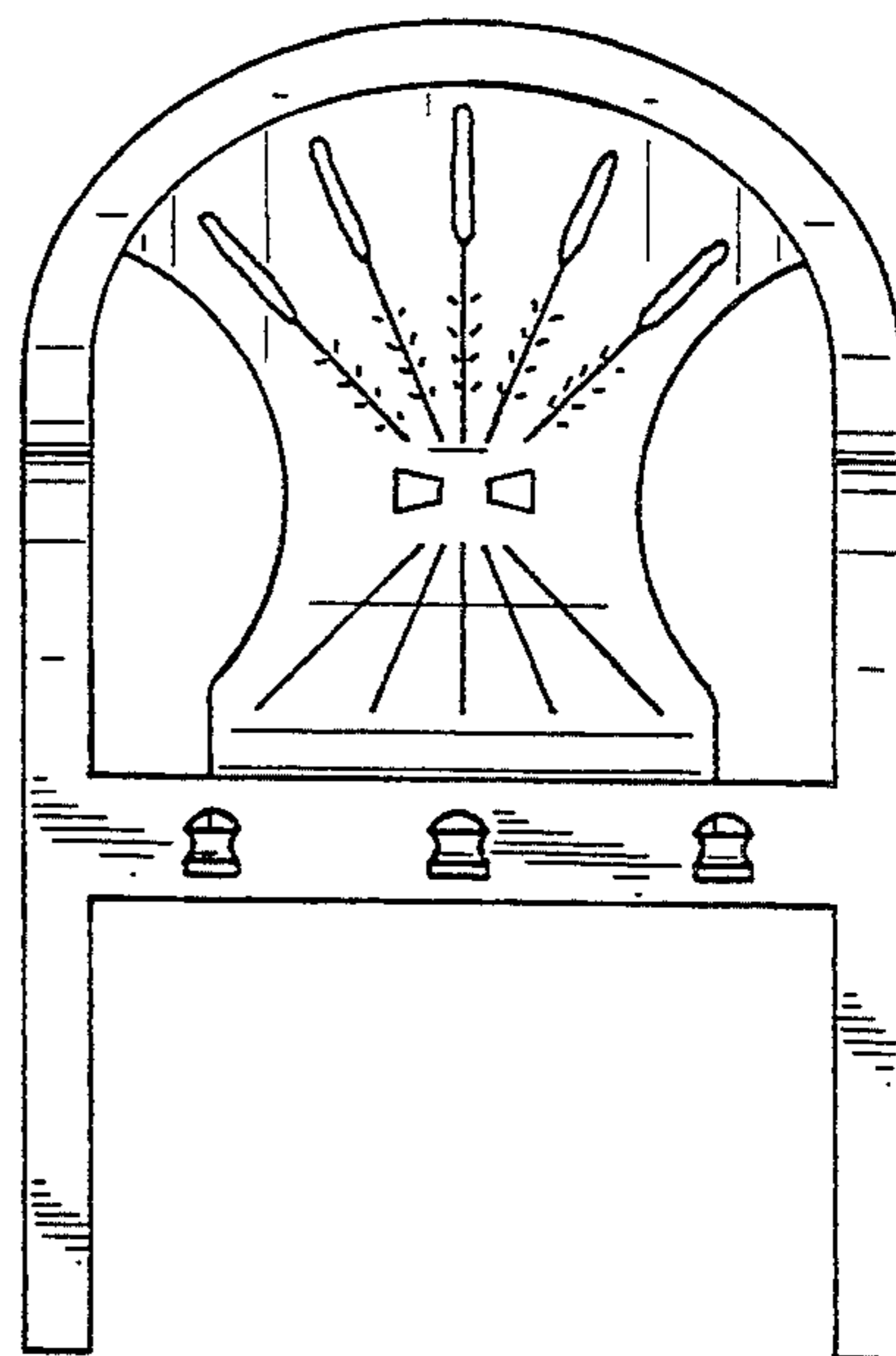


FIG. 2

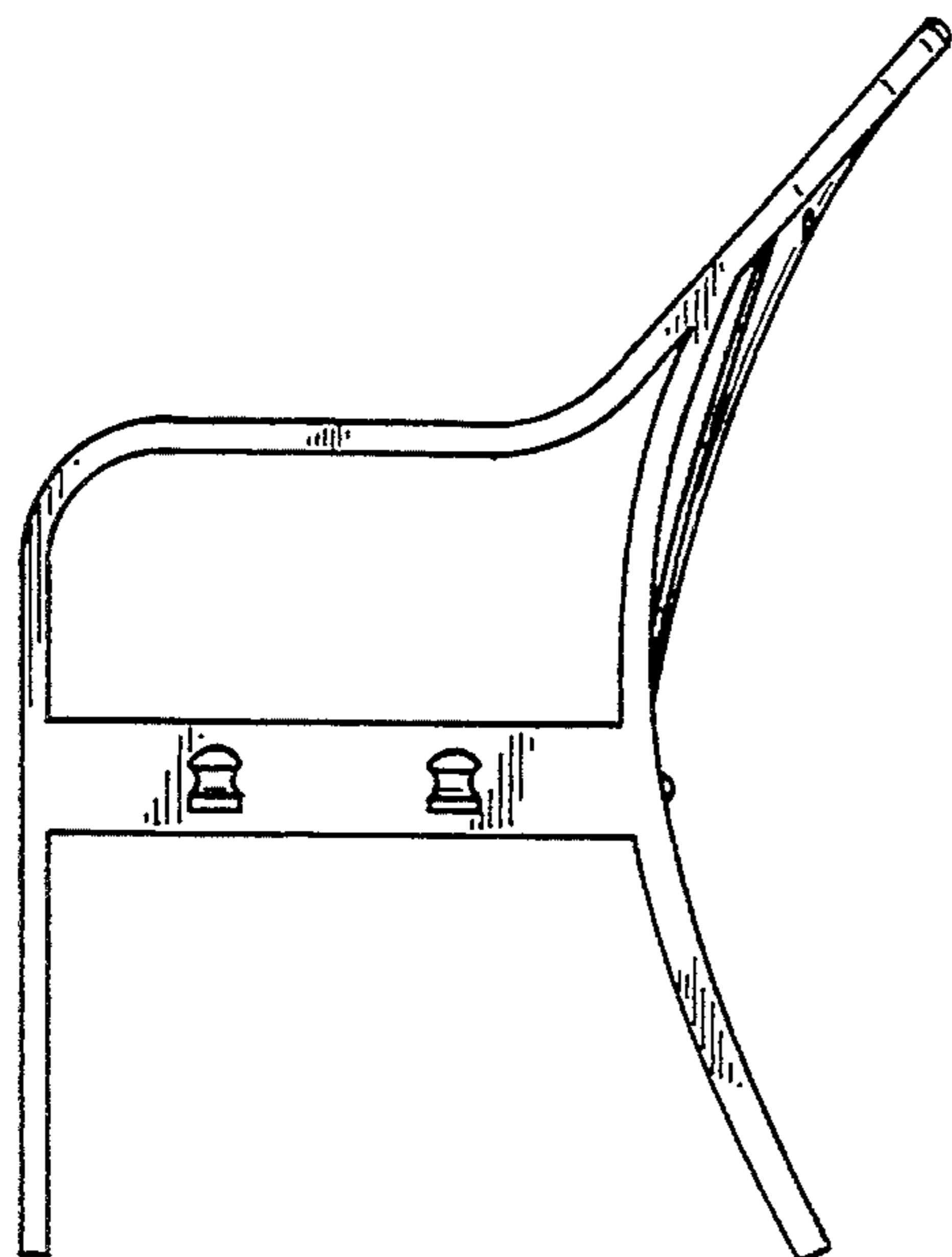


FIG. 3

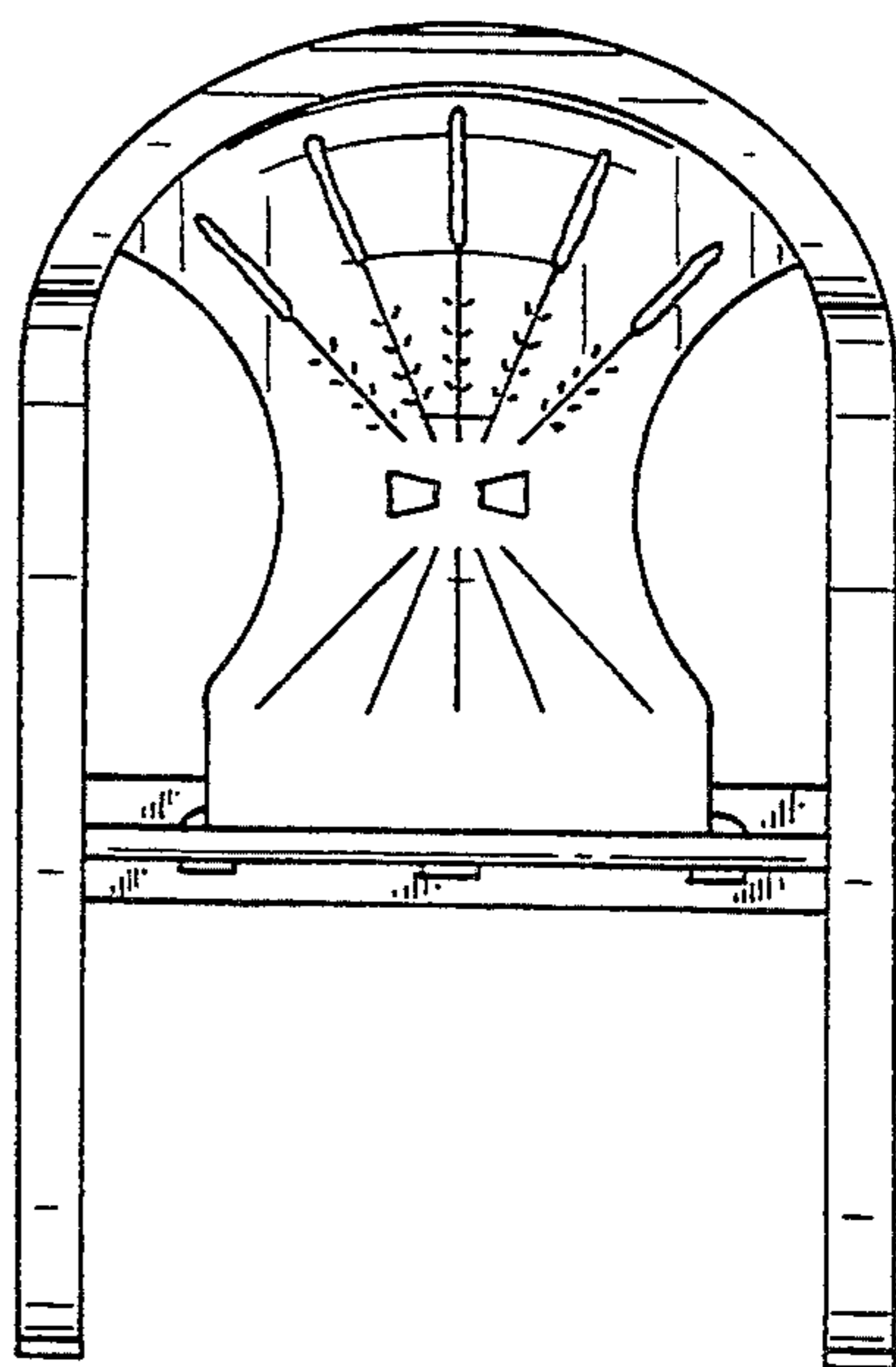


FIG. 4

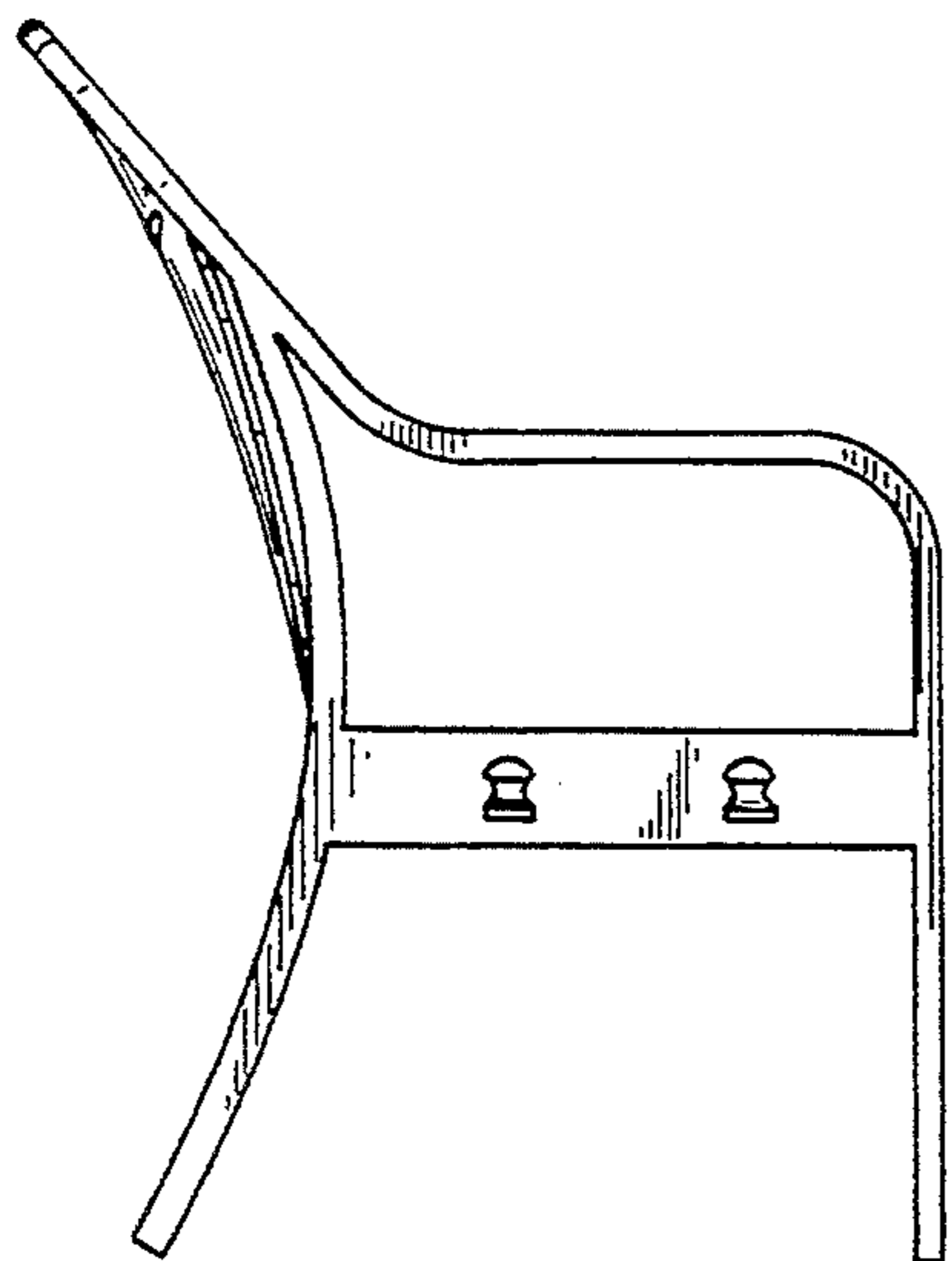


FIG. 5

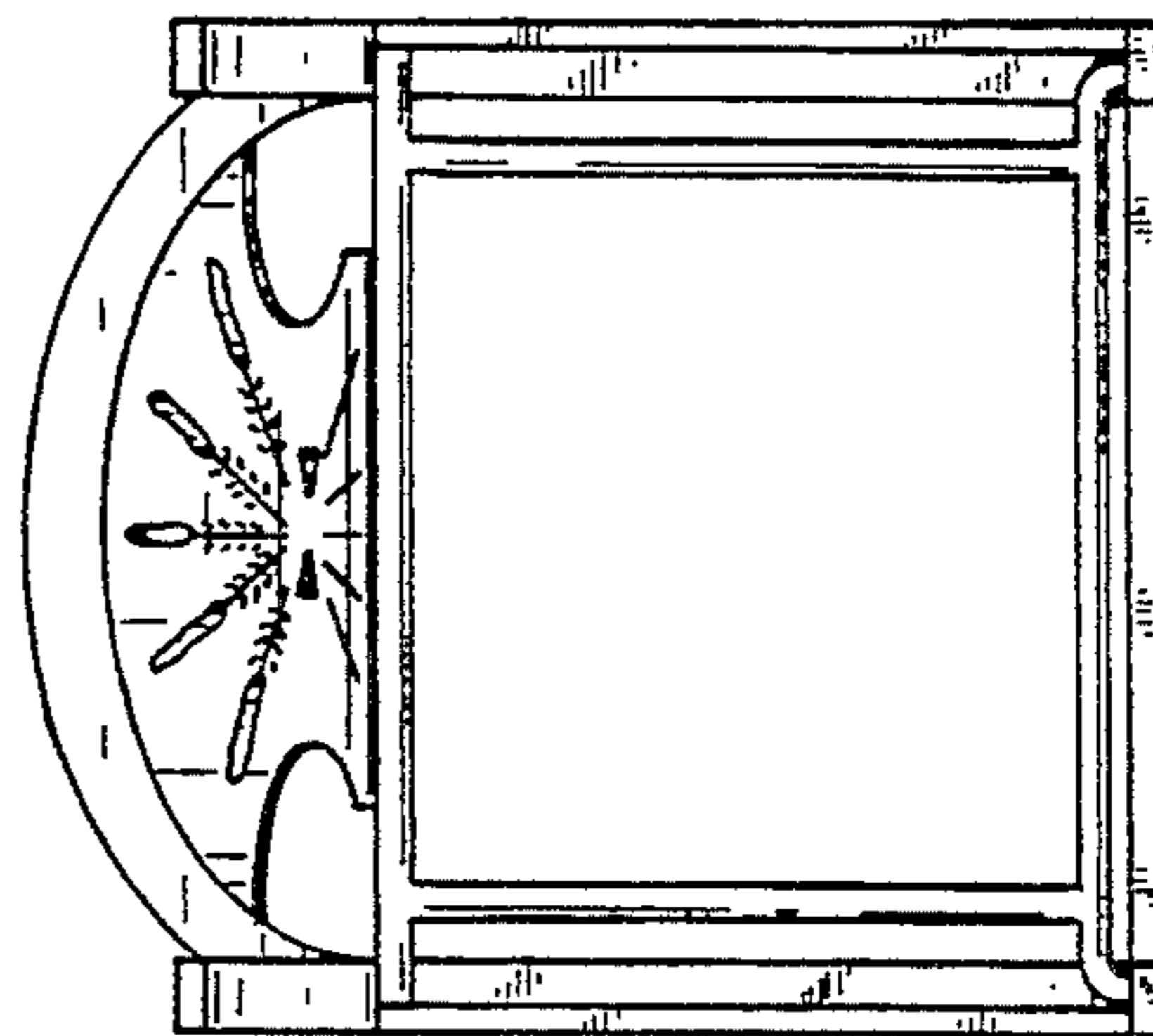


FIG. 6

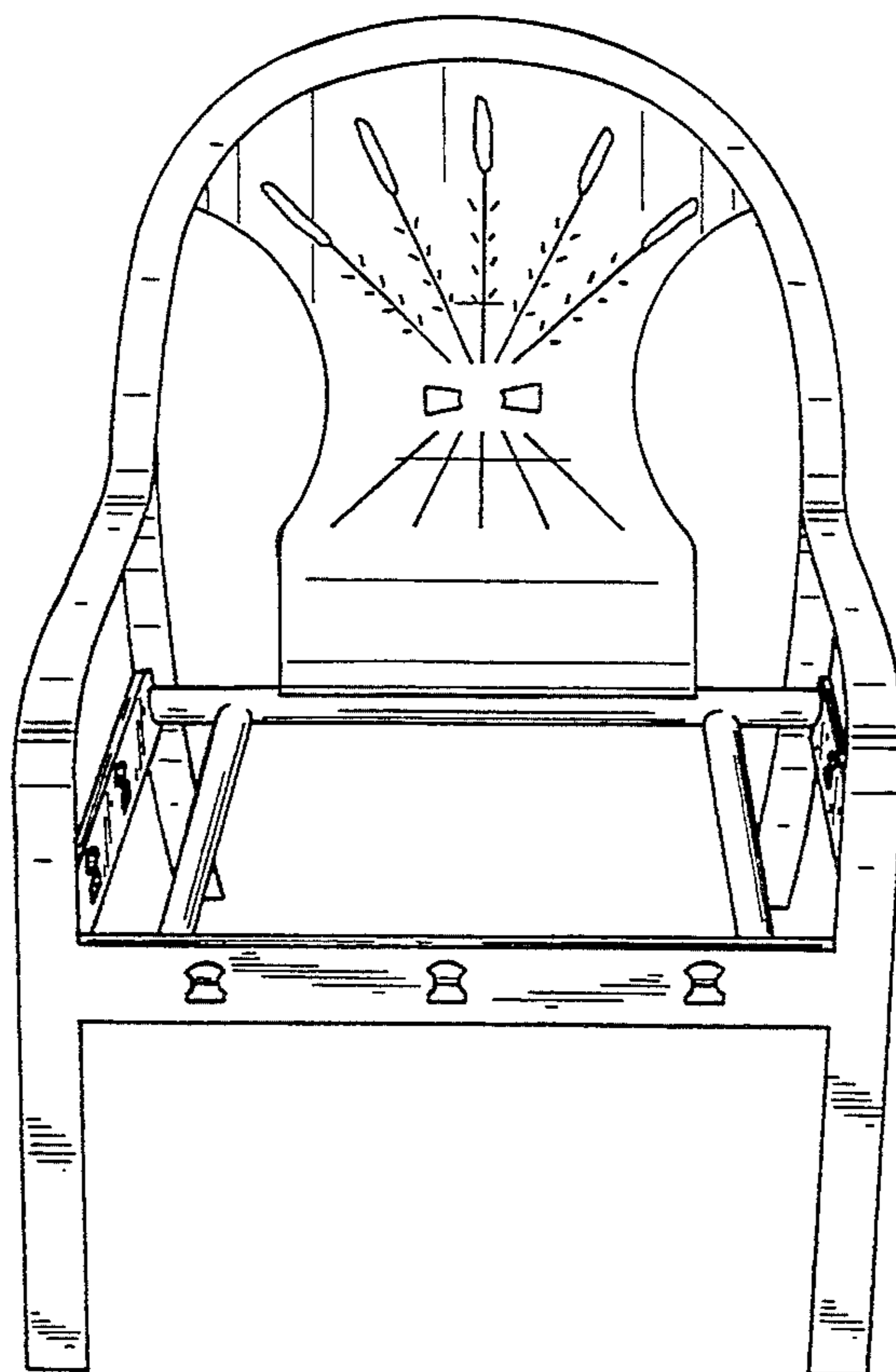


FIG. 7

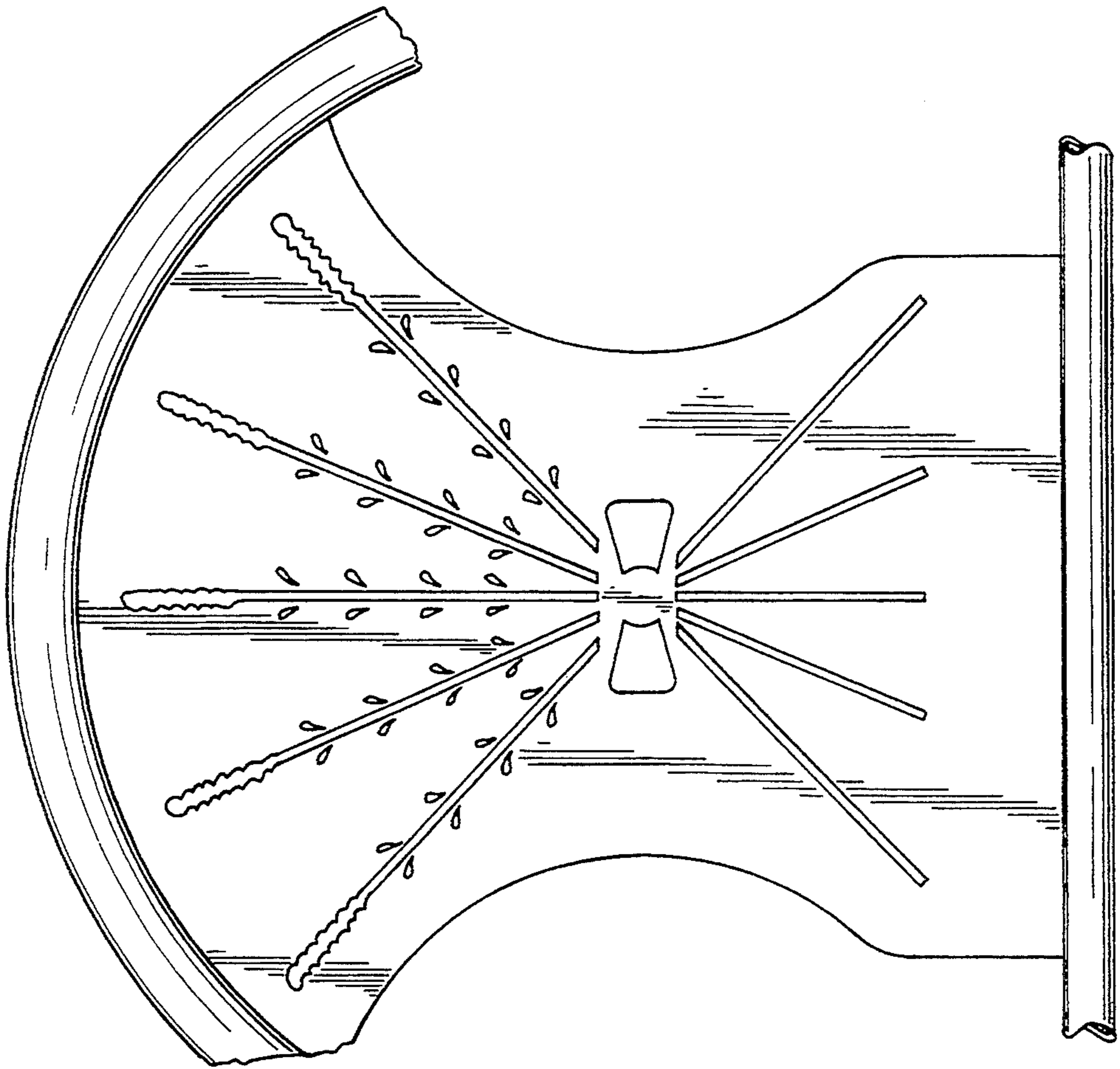


FIG. 8

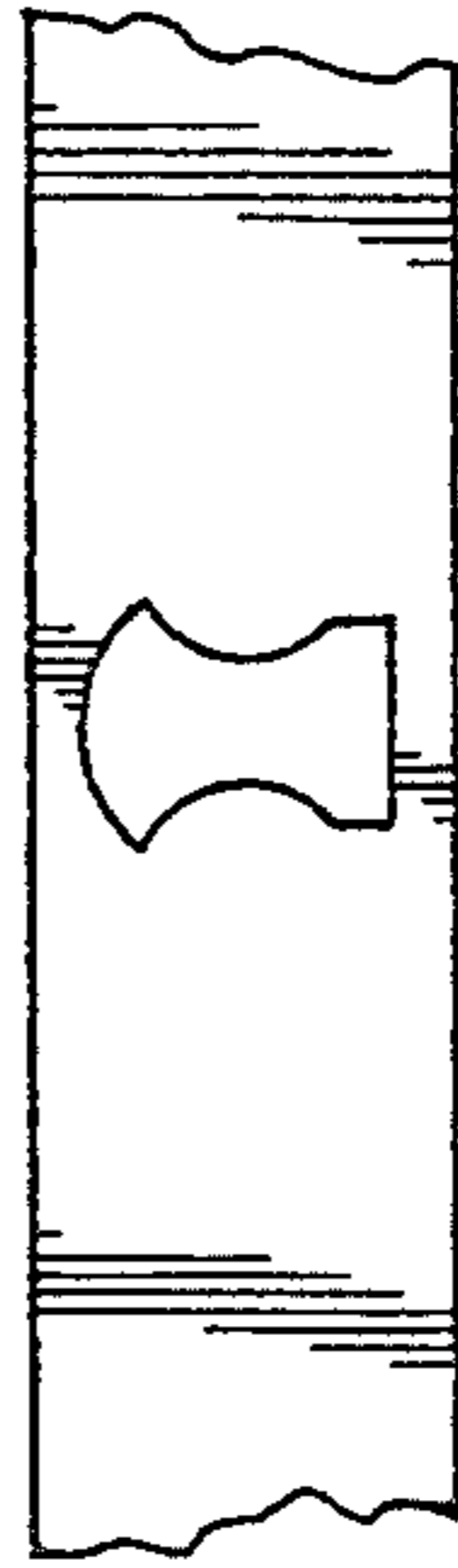


FIG. 9