



US00D358264S

United States Patent [19]

[11] Patent Number: **Des. 358,264**

Vanderminden, Sr.

[45] Date of Patent: **** May 16, 1995**

[54] **OUTDOOR SLING CHAIR**

[75] Inventor: **Robert D. Vanderminden, Sr.,**
Granville, N.Y.

[73] Assignee: **Telescope Casual Furniture Co.,**
Granville, N.Y.

[**] Term: **14 Years**

[21] Appl. No.: **20,342**

[22] Filed: **Mar. 23, 1994**

[52] U.S. Cl. **D6/375; D6/379**

[58] Field of Search **D6/334, 370, 374, 375,**
D6/376, 379, 500, 501, 502; 297/411.42

[56] **References Cited**

U.S. PATENT DOCUMENTS

D. 95,745	5/1935	Hoffmann	D6/379
D. 215,837	11/1969	Stephens	D6/375
D. 289,349	4/1987	Vanderminden	D6/379
D. 299,191	1/1989	Frinier	D6/375
D. 300,189	3/1989	Frinier	D6/379
D. 336,385	6/1993	Gibbs	D6/379

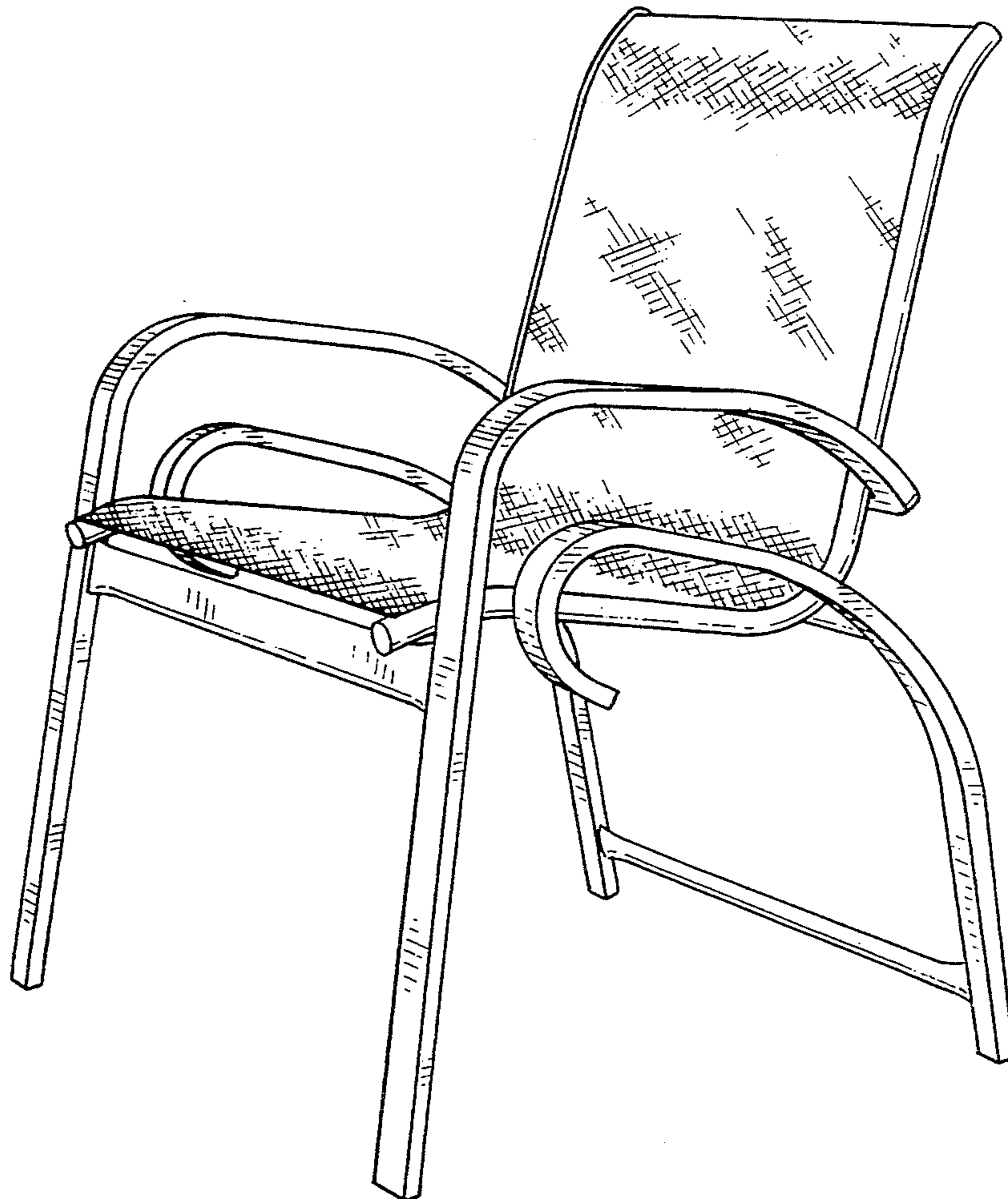
Primary Examiner—Alan P. Douglas
Assistant Examiner—Gary D. Watson
Attorney, Agent, or Firm—Francis C. Hand

[57] **CLAIM**

The ornamental design for an outdoor sling chair, as shown.

DESCRIPTION

FIG. 1 illustrates a perspective view of the outdoor sling chair in accordance with the invention;
FIG. 2 illustrates a left-hand side view of the outdoor sling chair of FIG. 1;
FIG. 3 illustrates a front view of the outdoor sling chair of FIG. 1;
FIG. 4 illustrates a right-hand side view of the outdoor sling chair of FIG. 1;
FIG. 5 a rear view of the outdoor sling chair of FIG. 1;
FIG. 6 illustrates a top view of the outdoor sling chair of FIG. 1; and,
FIG. 7 illustrates a bottom view of the outdoor sling chair of FIG. 1.



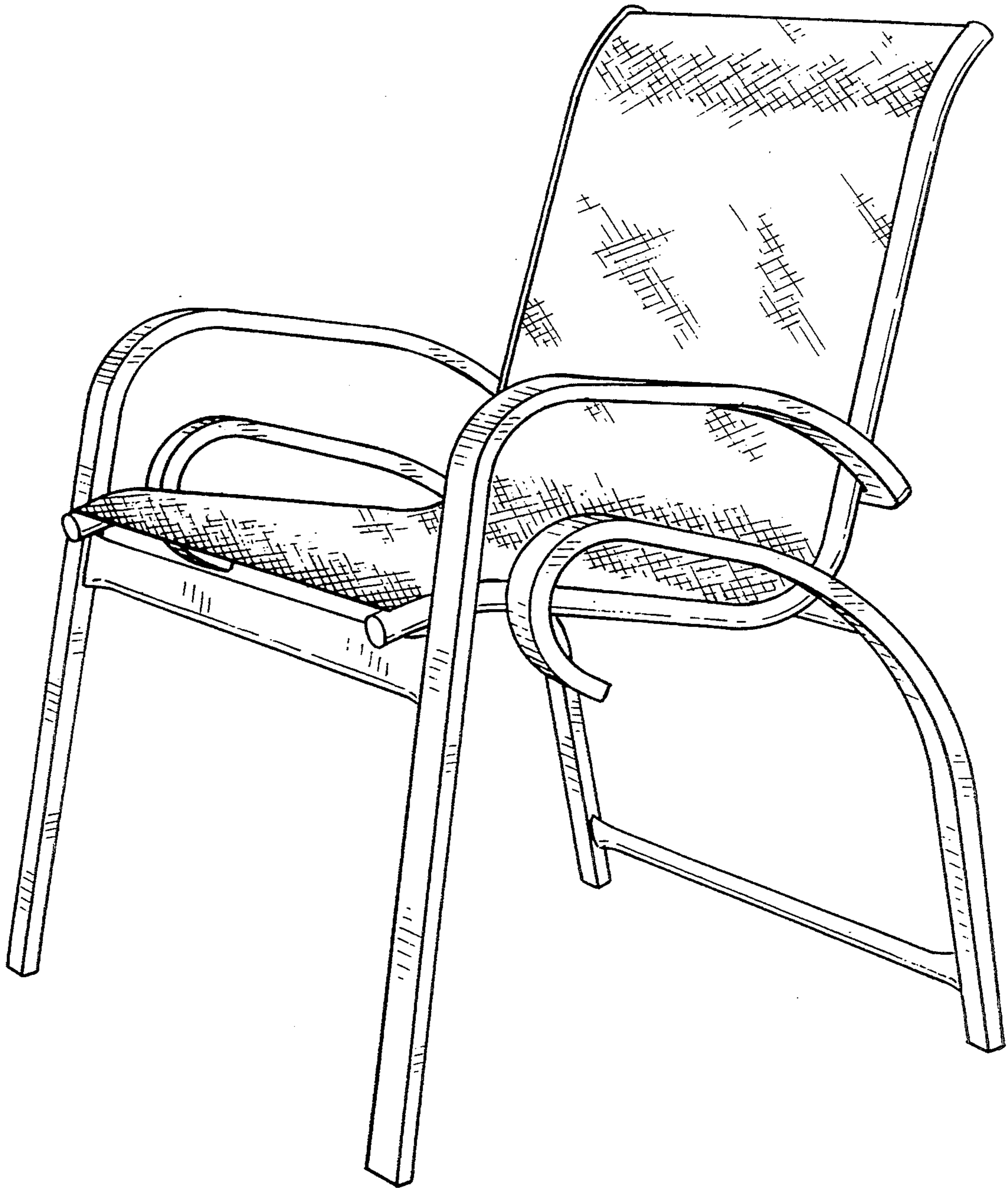


FIG. 1

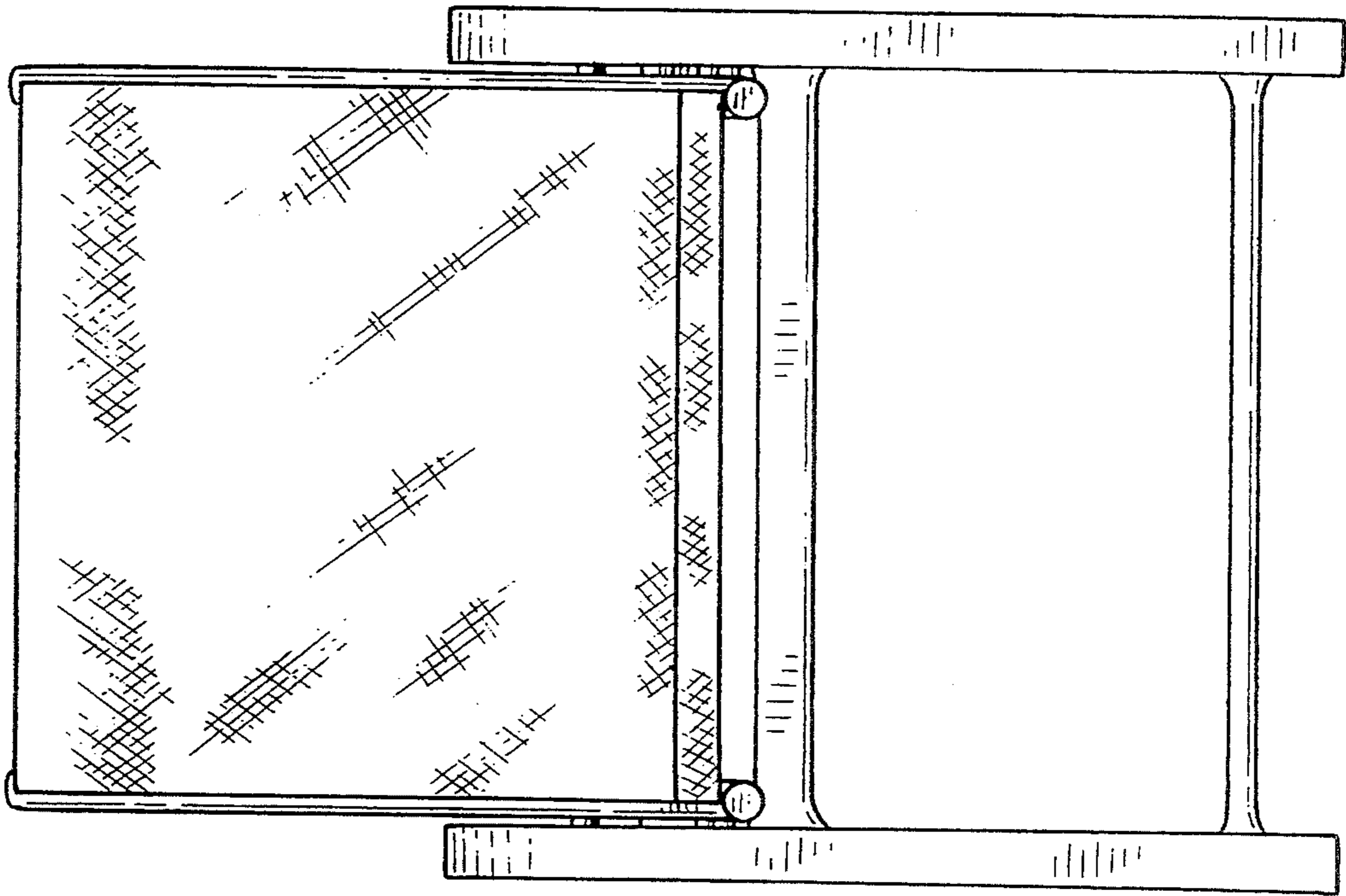


FIG. 3

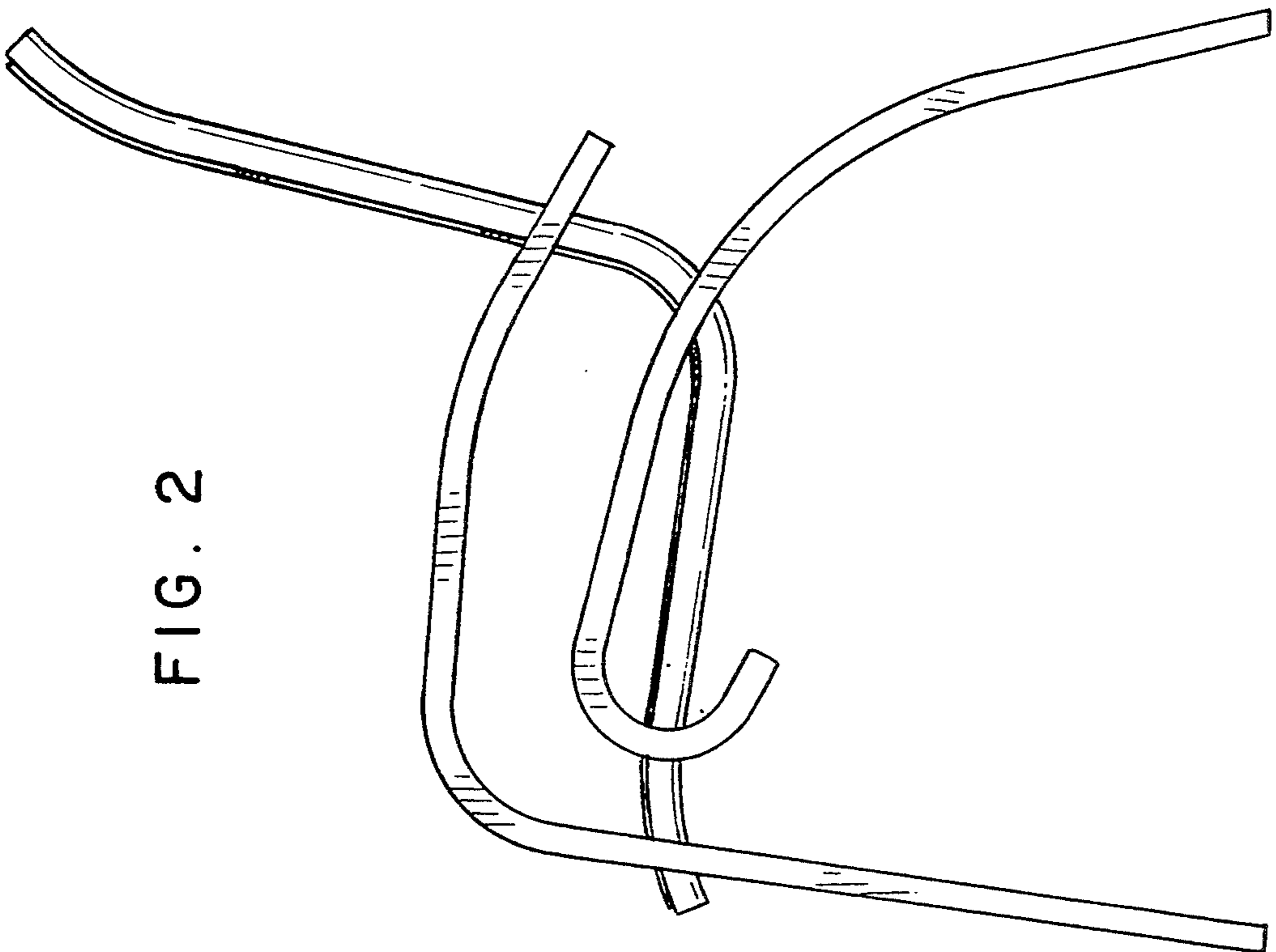


FIG. 2

FIG. 4

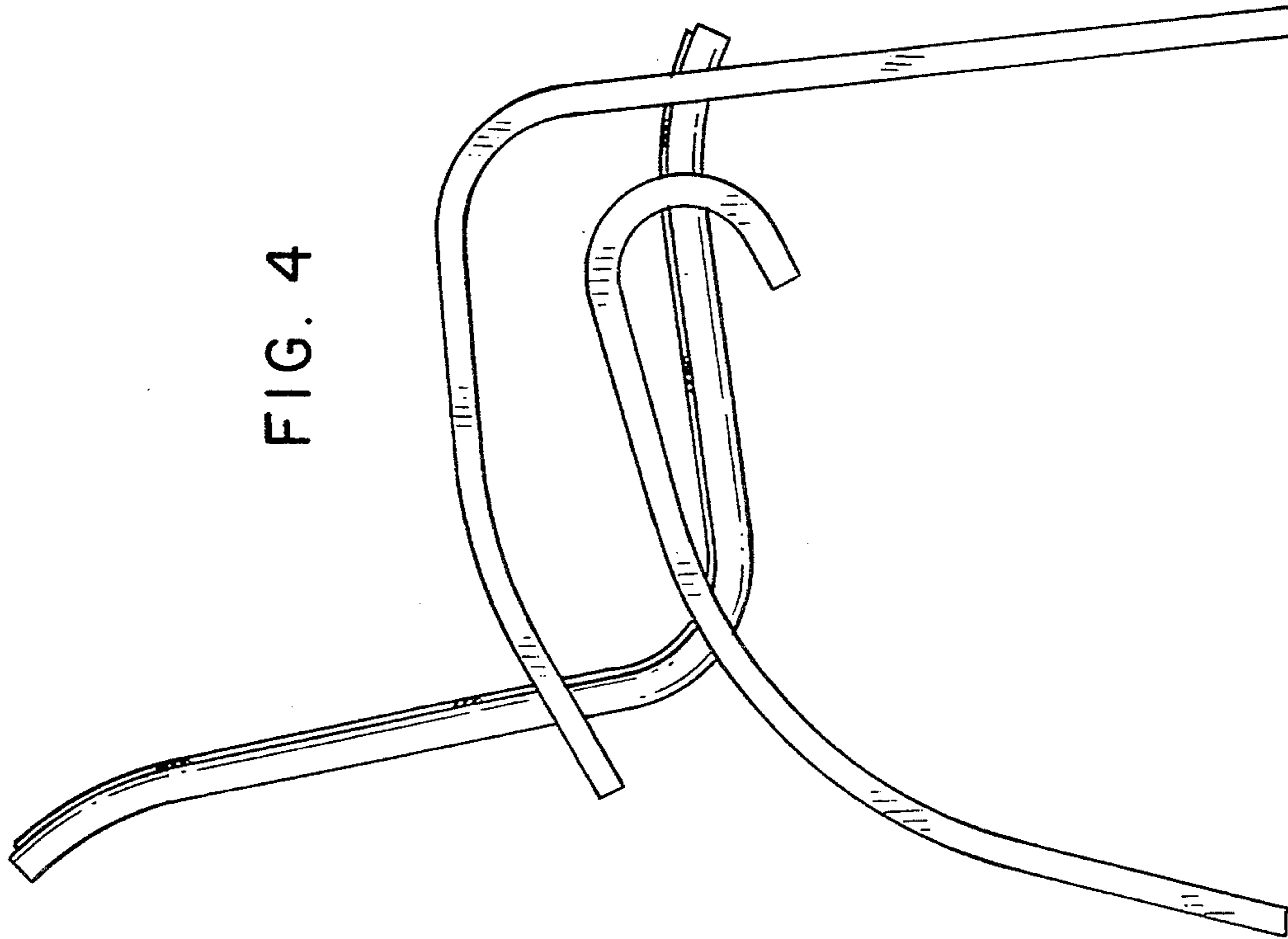


FIG. 5

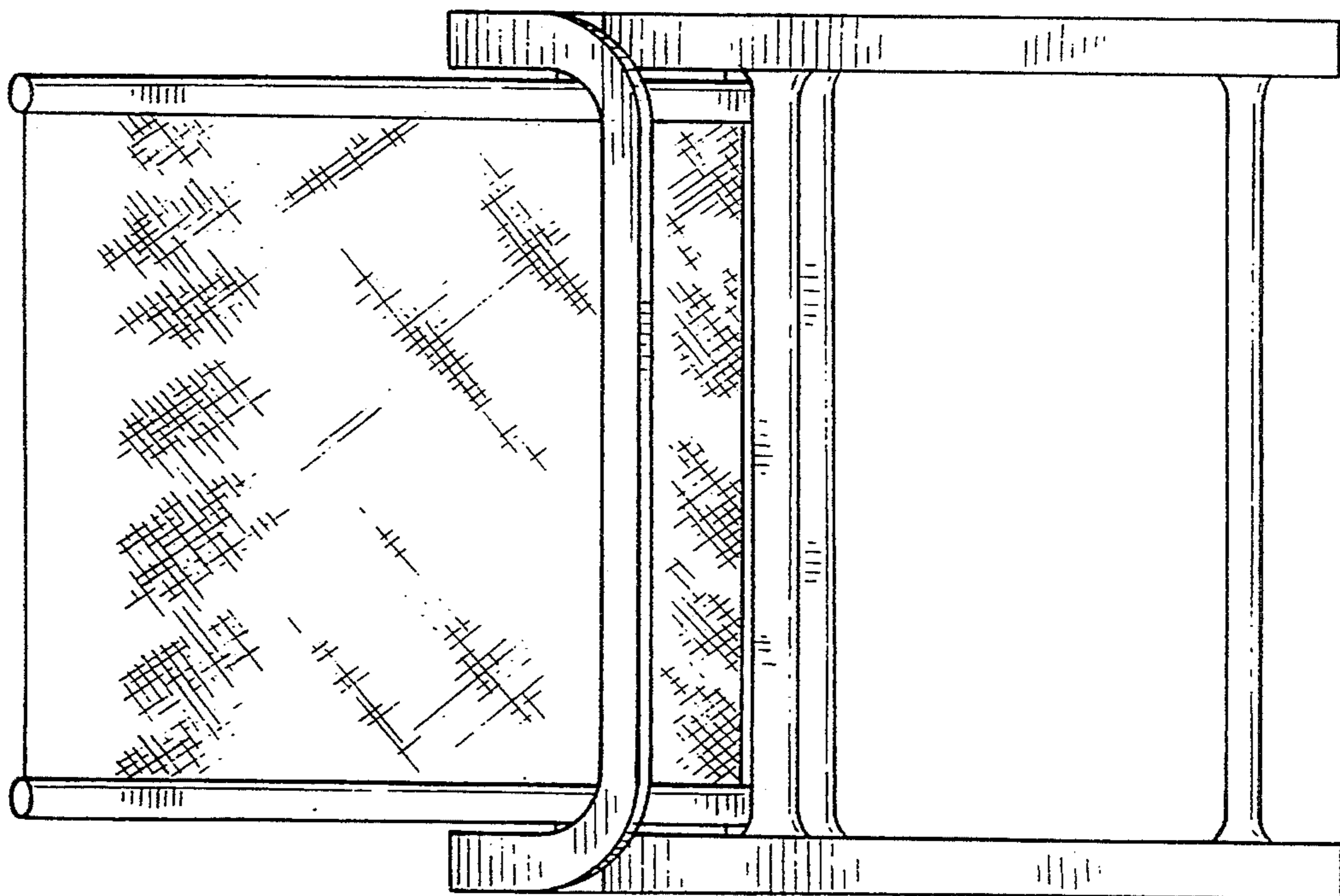


FIG. 6

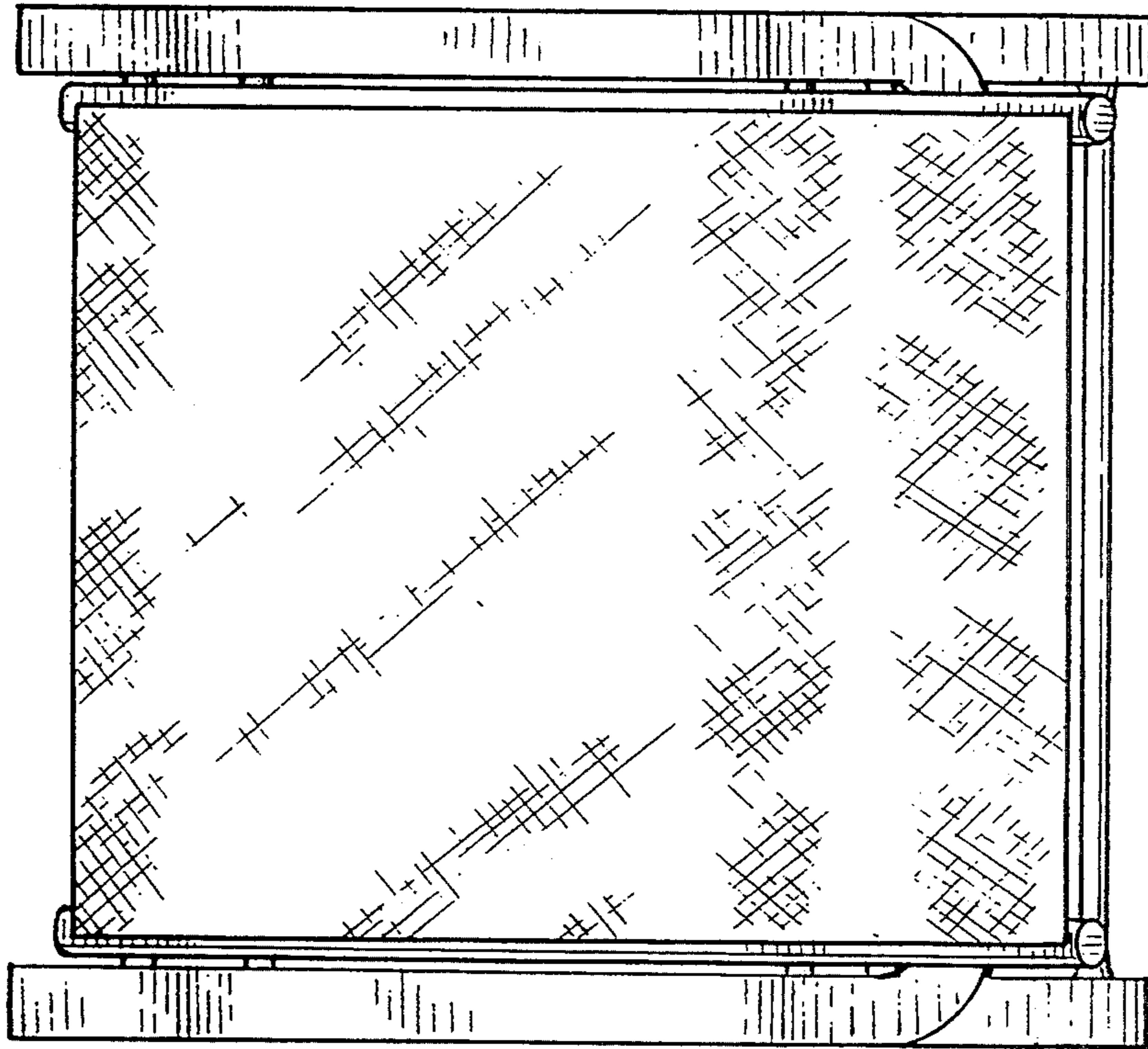


FIG. 7

