



US00D358263S

United States Patent [19]

[11] Patent Number: **Des. 358,263**

Yoder, Jr.

[45] Date of Patent: **** May 16, 1995**

[54] CHAIR

[76] Inventor: **James H. Yoder, Jr.**, 1111 Daniels Church Rd., Lincolnton, N.C. 28092

[**] Term: **14 Years**

[21] Appl. No.: **21,992**

[22] Filed: **Apr. 28, 1994**

[52] U.S. Cl. **D6/370; D6/379**

[58] Field of Search **D6/334, 358, 370, 374, D6/379, 380, 500, 501, 502; 297/440.24**

[56] **References Cited**

U.S. PATENT DOCUMENTS

- D. 102,030 11/1936 Hoffmann D6/370
- D. 279,243 6/1985 Vanderminde D6/370
- D. 342,629 12/1993 Tseng D6/370

OTHER PUBLICATIONS

Making Plastic Pipe Furniture, Max & Charlotte Alth, ©1981, p. 115 Chair at top left.

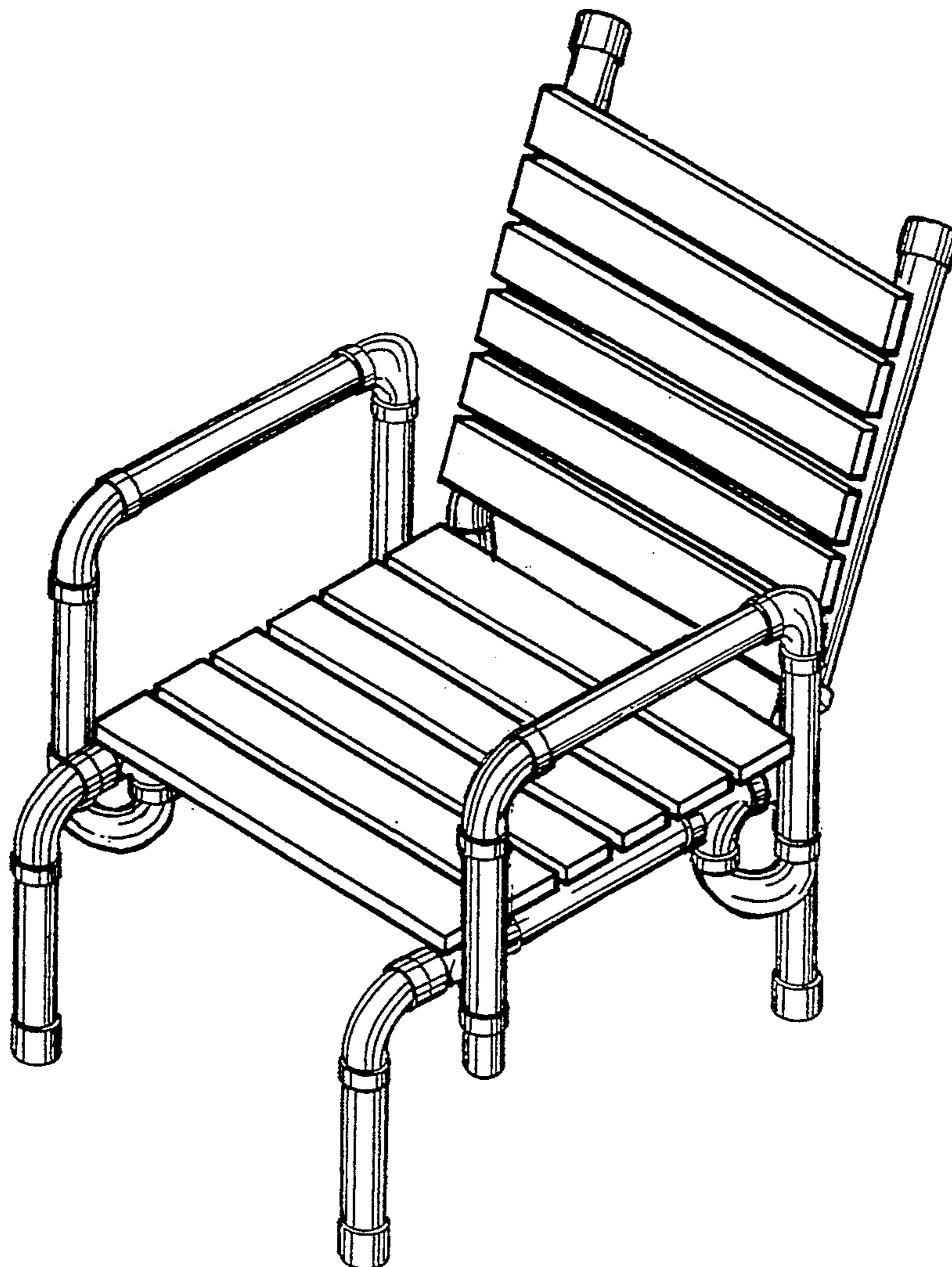
Primary Examiner—Alan P. Douglas
Assistant Examiner—Gary D. Watson
Attorney, Agent, or Firm—W. Thad Adams, III

[57] **CLAIM**

The ornamental design for a chair, as shown.

DESCRIPTION

FIG. 1 is a perspective view of the chair;
FIG. 2 is a right side view of the chair;
FIG. 3 is a left side view of the chair;
FIG. 4 is a front view of the chair;
FIG. 5 is a back view of the chair;
FIG. 6 is a bottom view of the chair; and,
FIG. 7 is a top view of the chair.



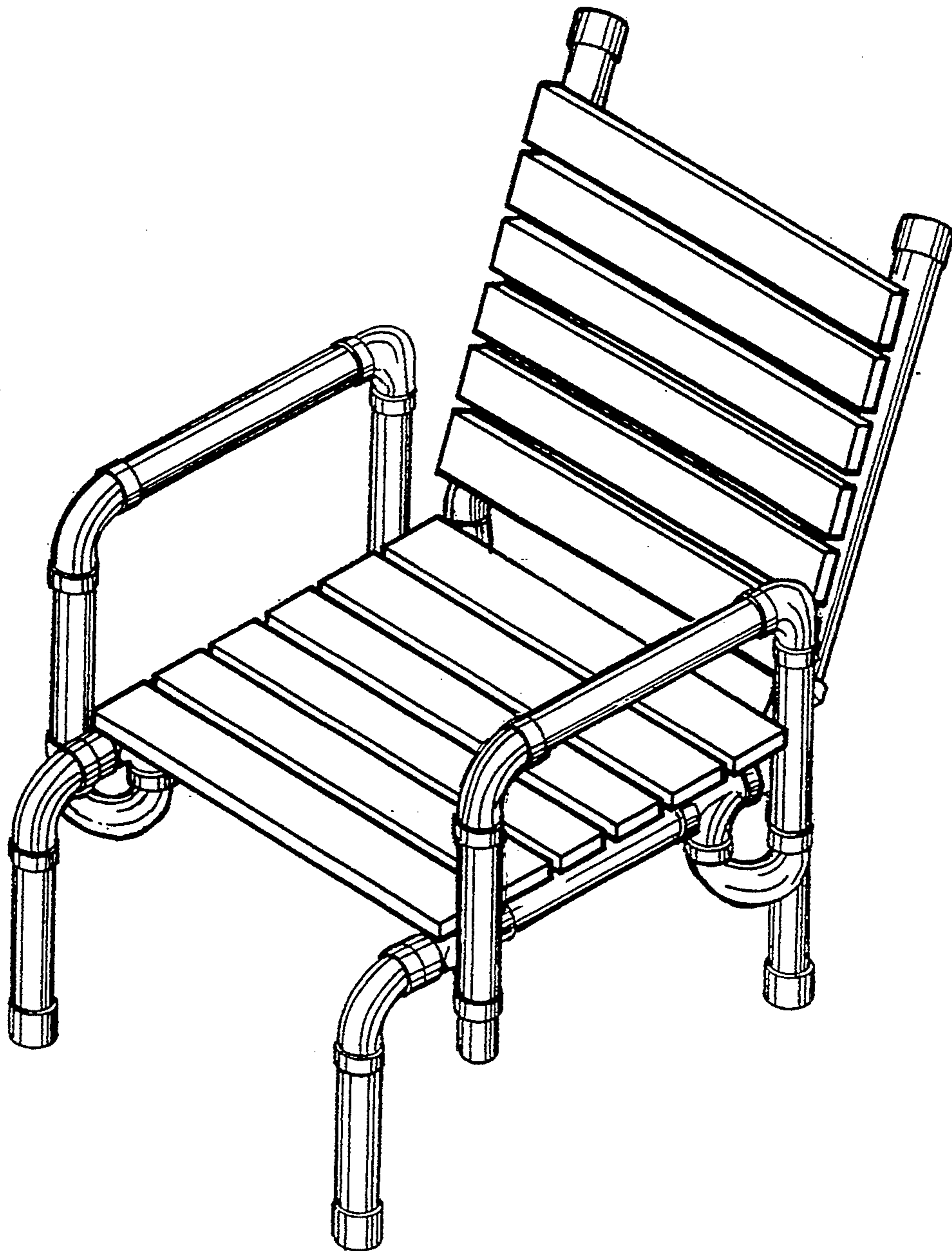


Fig. 1

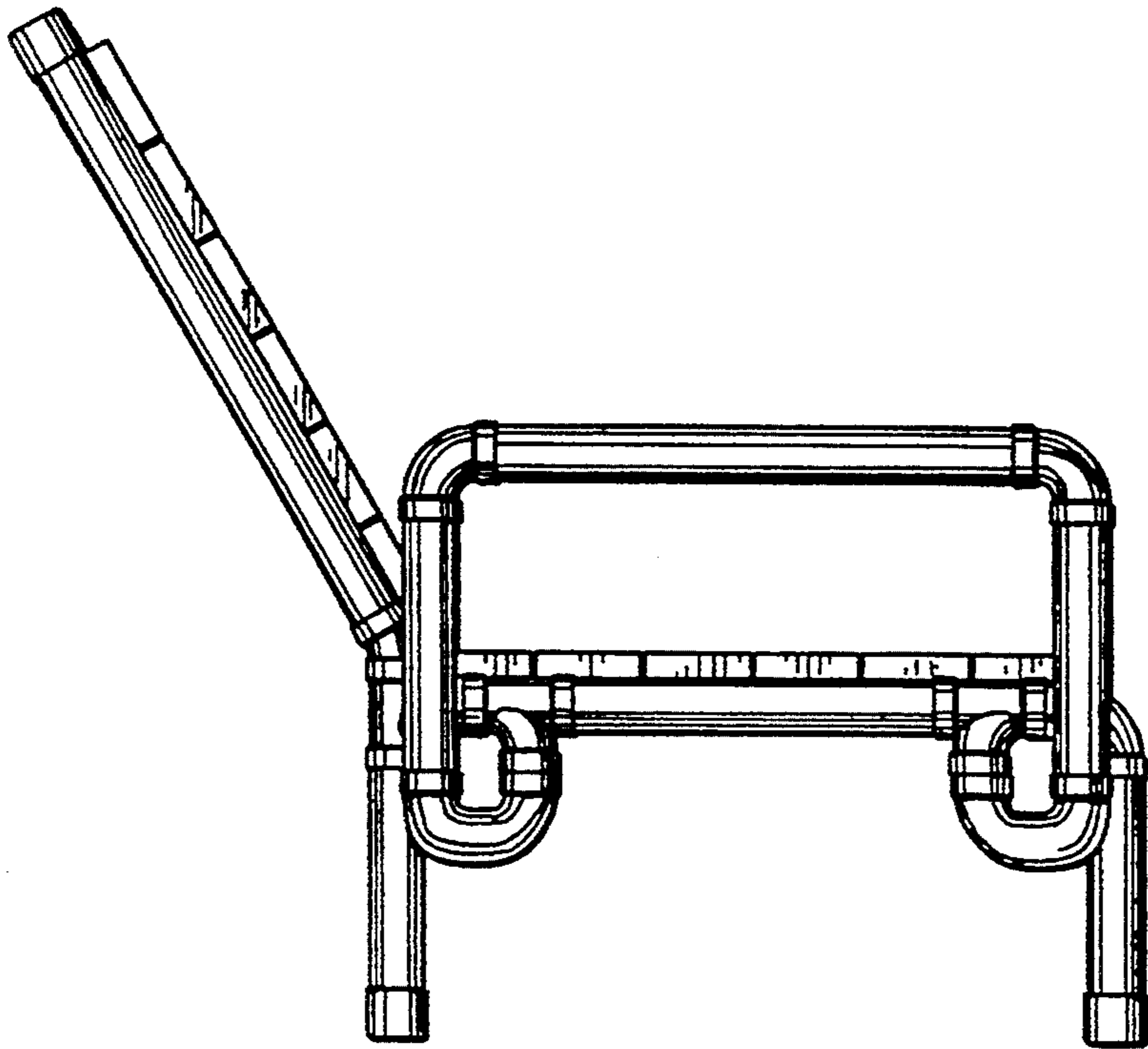


Fig. 2

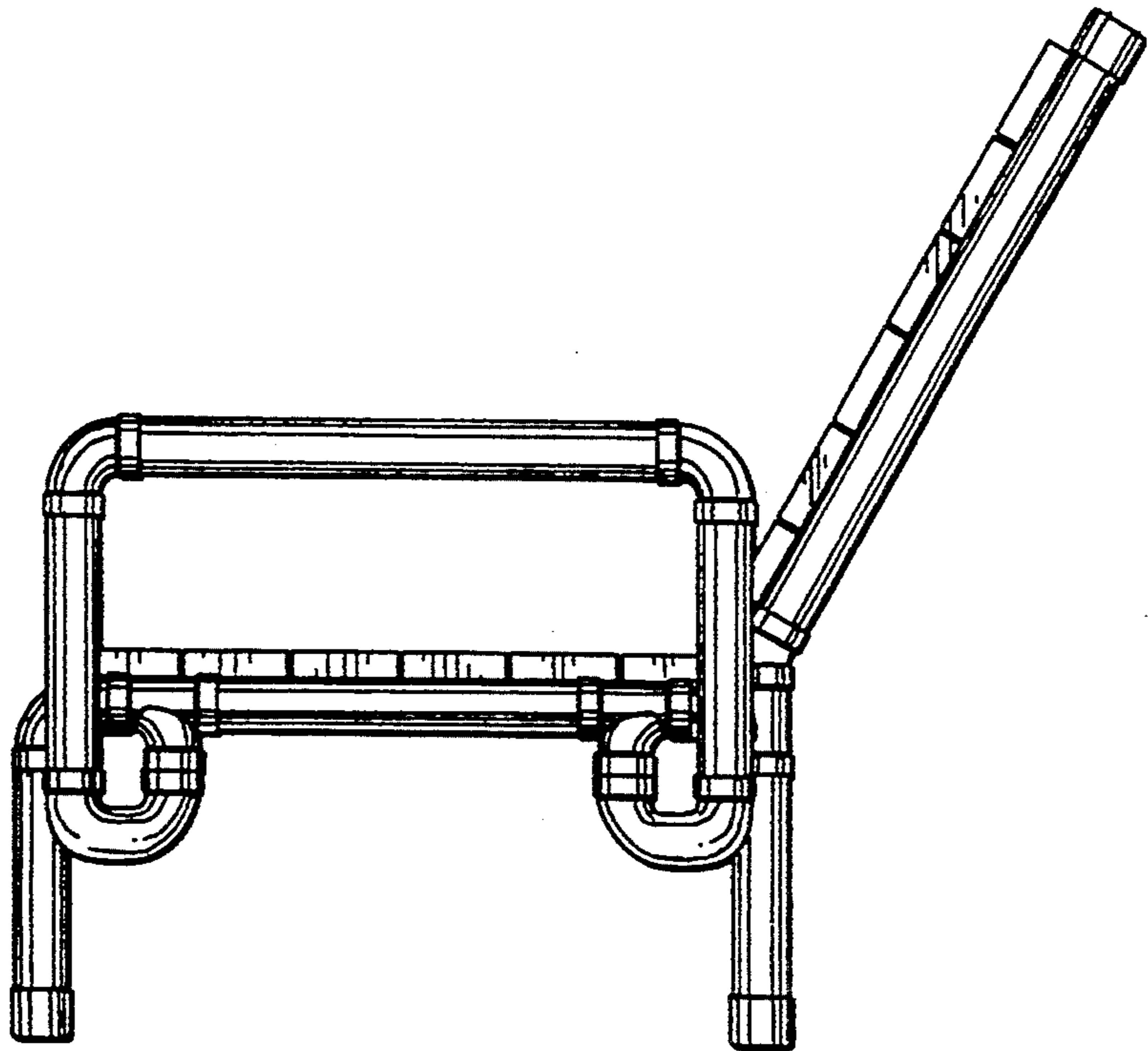


Fig. 3

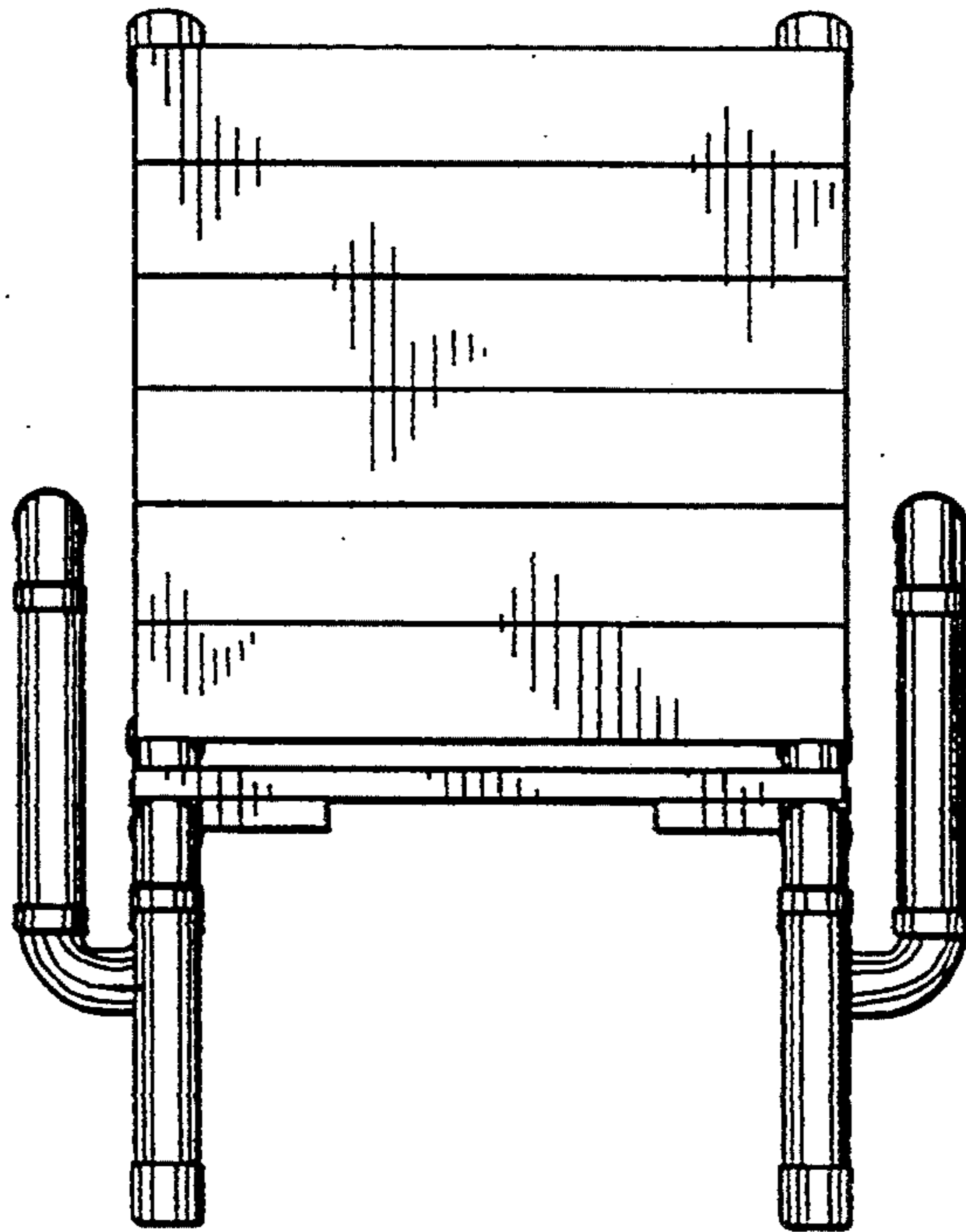


Fig. 4

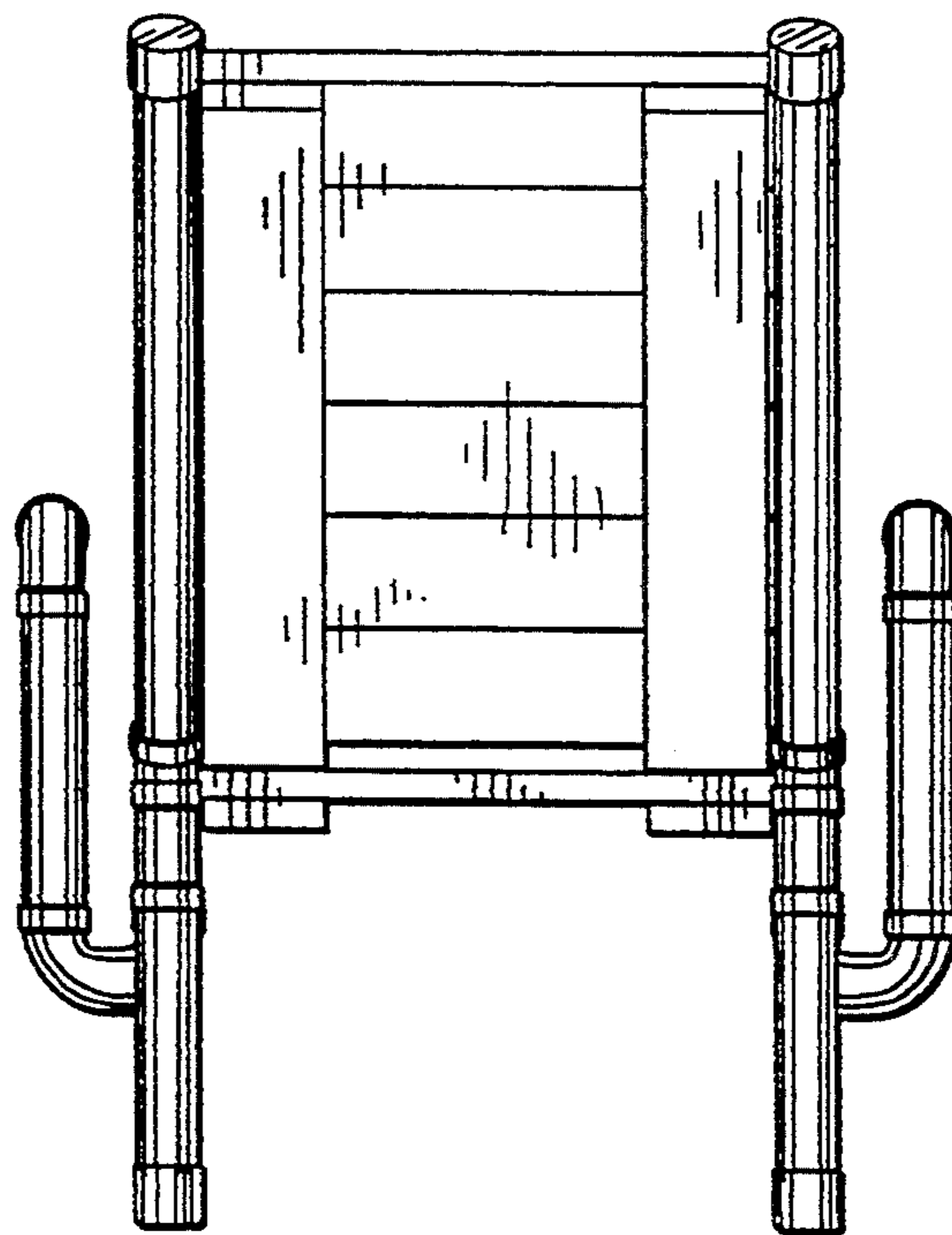


Fig. 5

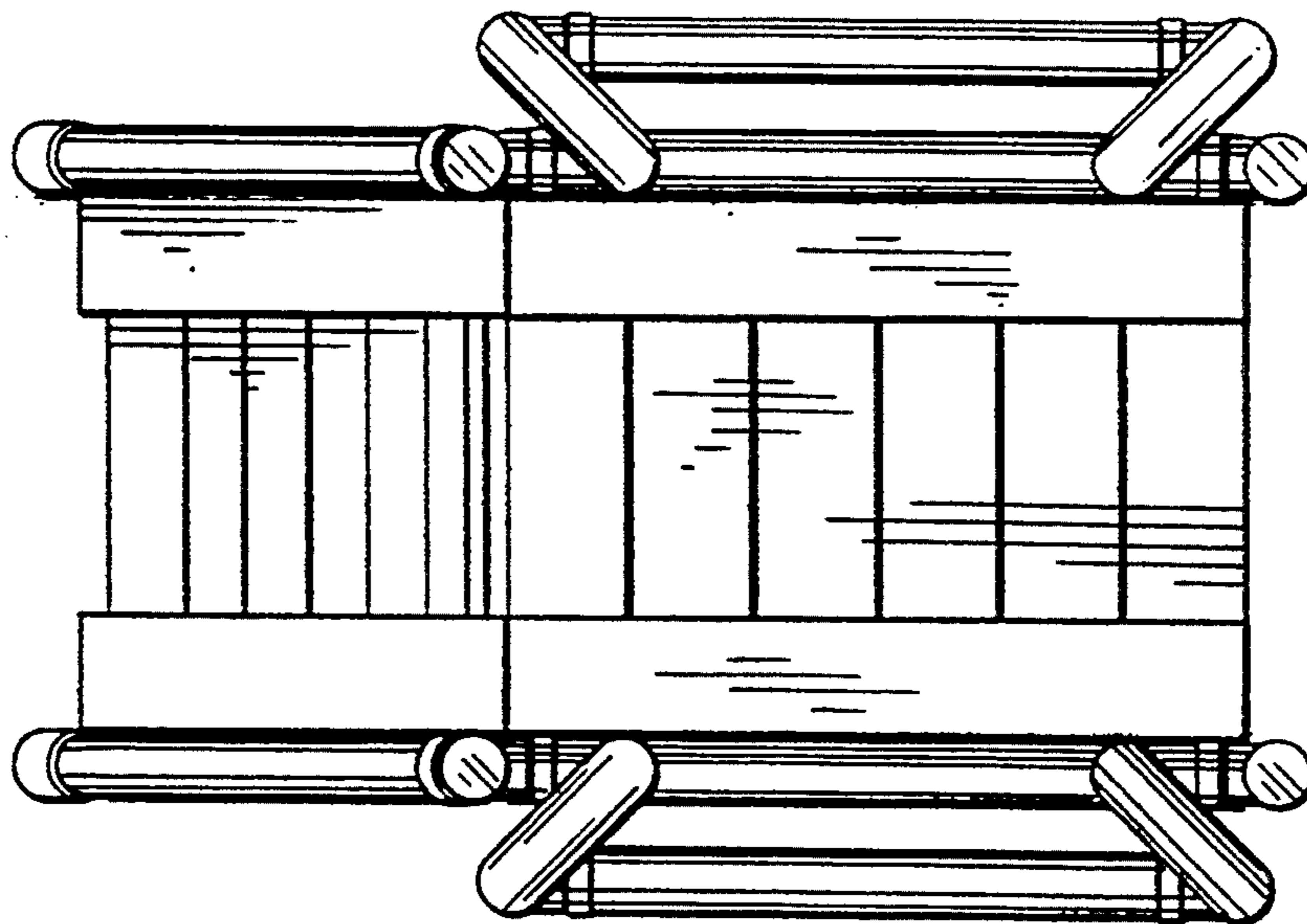


Fig. 6

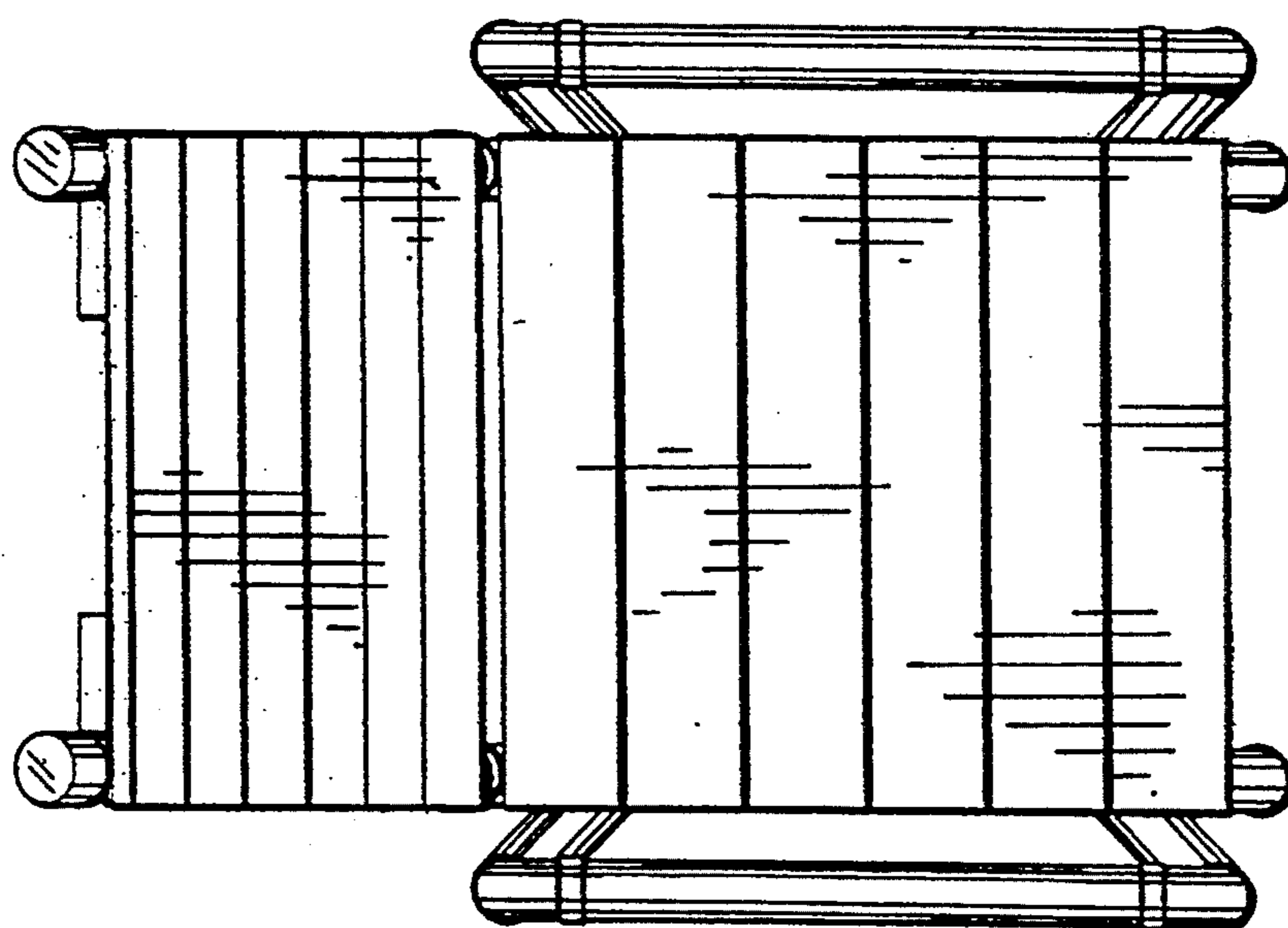


Fig. 7