



US00D358260S

# United States Patent [19] Chan

[11] Patent Number: **Des. 358,260**

[45] Date of Patent: **\*\* May 16, 1995**

[54] **BRUSH HANDLE**

[75] Inventor: **Eric Chan**, New York, N.Y.

[73] Assignee: **Goody Products, Inc.**, Kearny, N.J.

[\*\*] Term: **14 Years**

[21] Appl. No.: **878,330**

[22] Filed: **May 4, 1992**

[52] U.S. Cl. .... **D4/138**

[58] Field of Search ..... **D4/132-134, D4/136, 138; 15/143.1, 159.1, 160, 186-188**

3,727,260 4/1973 Spydevold ..... 15/159 A  
 4,500,939 2/1985 Gueret ..... 361/221

### OTHER PUBLICATIONS

Salon Profile; 1991 Goody Products, Inc; brochure.

*Primary Examiner*—Wallace R. Burke  
*Assistant Examiner*—Lavone D. Tabor  
*Attorney, Agent, or Firm*—Foley & Lardner

### [57] CLAIM

The ornamental design for a brush handle, as shown and described.

### [56] References Cited

#### U.S. PATENT DOCUMENTS

D. 121,946	8/1940	Bird	.....	D4/133
D. 128,654	8/1941	Jobst	.....	D4/138
D. 156,757	1/1950	Muller-Munk	.....	D4/133
D. 157,058	1/1950	Langer	.....	D4/133
D. 226,253	2/1973	Anthony et al.	.....	D4/133
D. 231,506	4/1974	Karabelas	.....	D4/134
D. 252,298	7/1979	Baudon	.....	D4/134
D. 263,096	2/1982	Wachtel	.....	D4/136
D. 263,768	4/1982	Birch	.....	D4/136
D. 307,217	4/1990	Fong	.....	D4/134

### DESCRIPTION

FIG. 1 is a top front perspective view of a brush handle showing my new design;  
 FIG. 2 is a front elevational view thereof;  
 FIG. 3 is a rear elevational view thereof;  
 FIG. 4 is a right side elevational view thereof, the left side being a mirror image of the right side shown;  
 FIG. 5 is a top plan view thereof; and,  
 FIG. 6 is a bottom plan view thereof.  
 The broken lines showing of bristles are for illustrative purposes only and form no part of the claimed design.

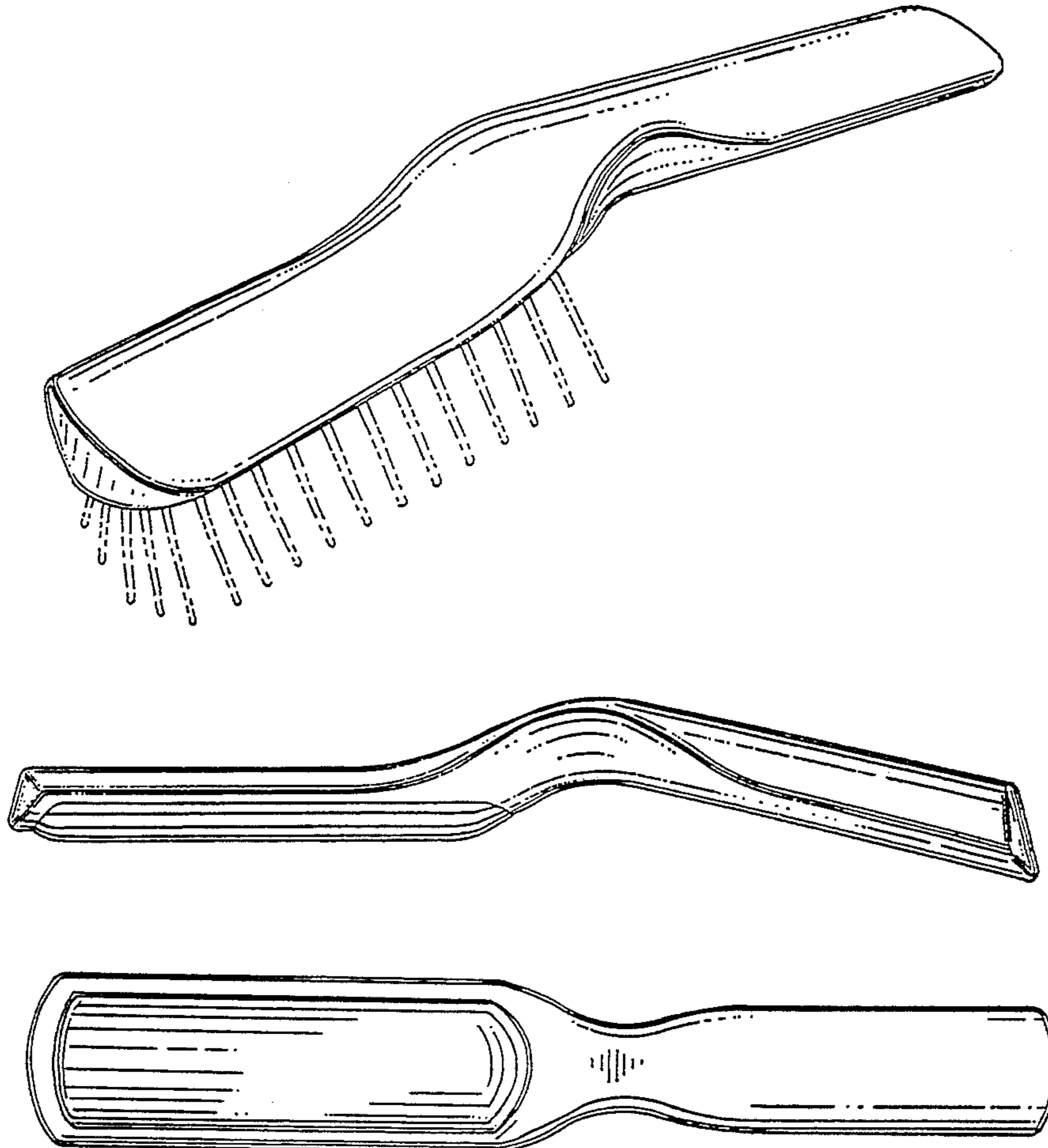


FIG. 1

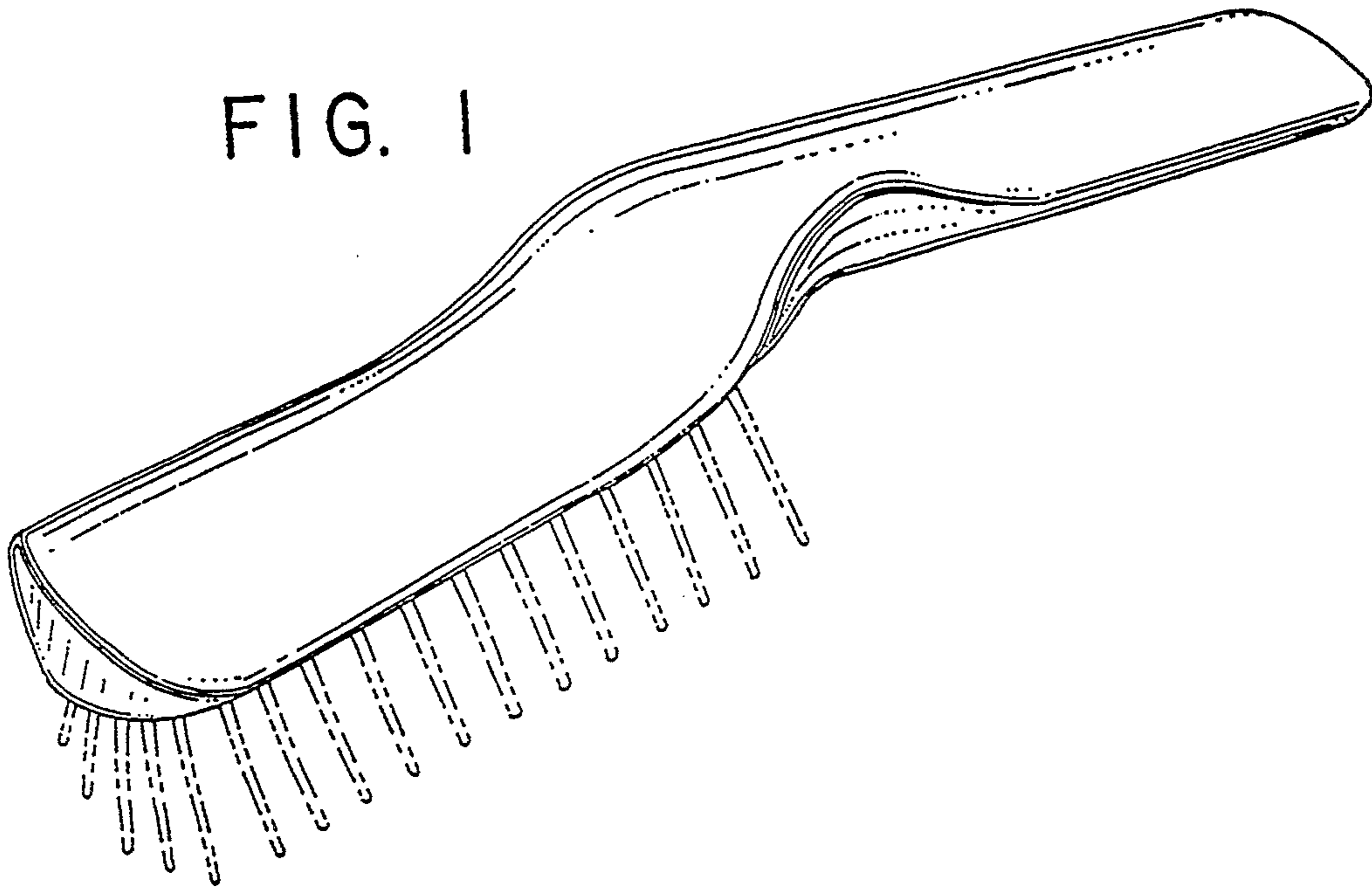


FIG. 2

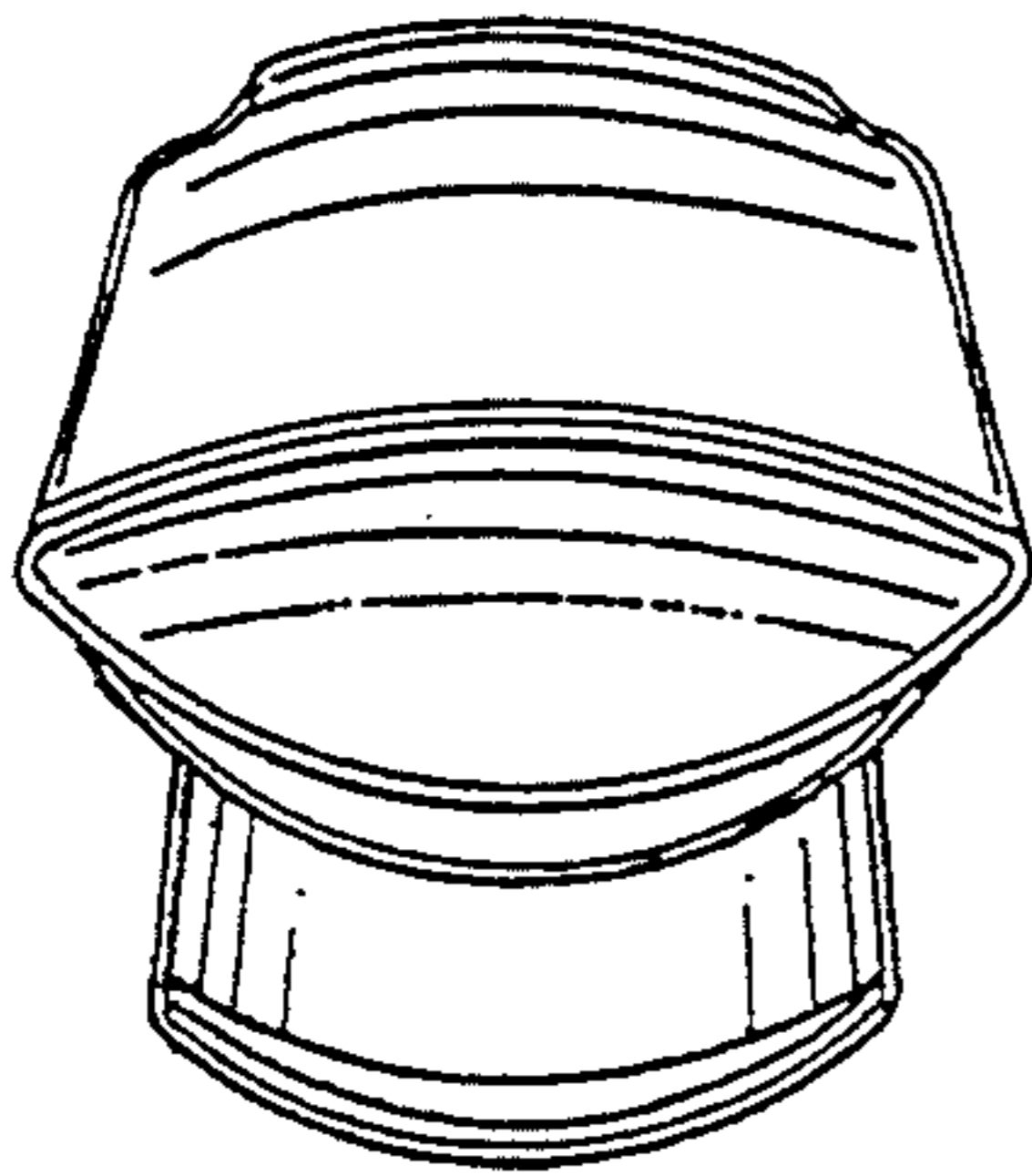


FIG. 3

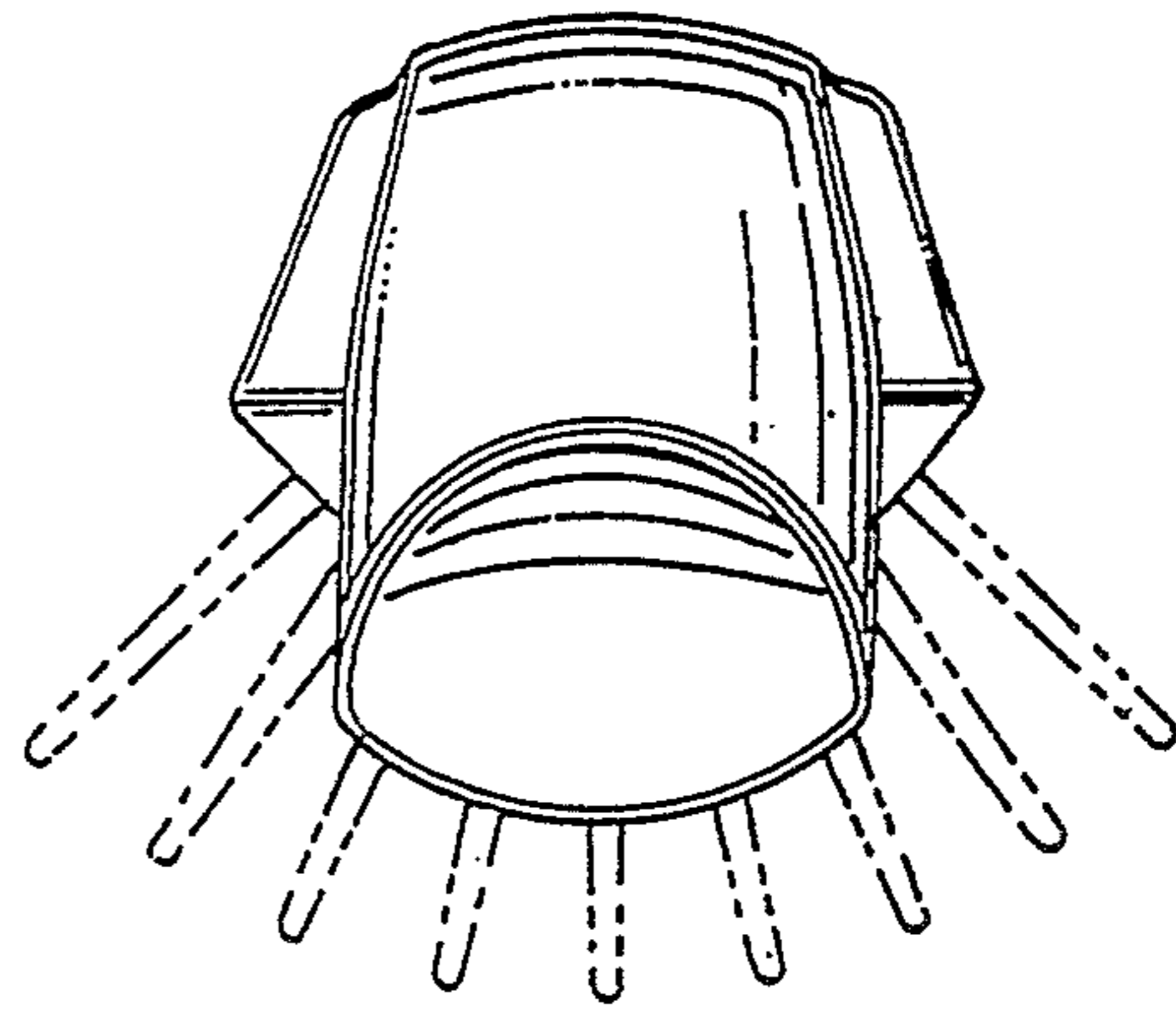


FIG. 4

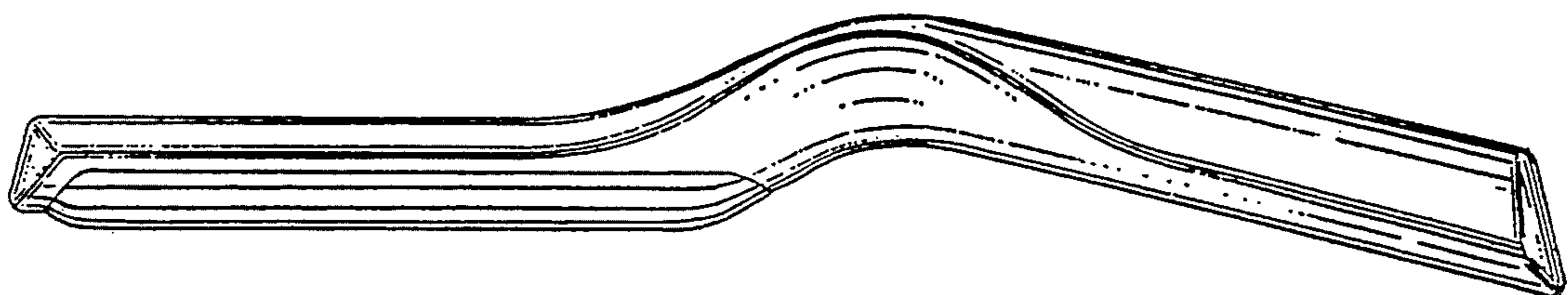


FIG. 5

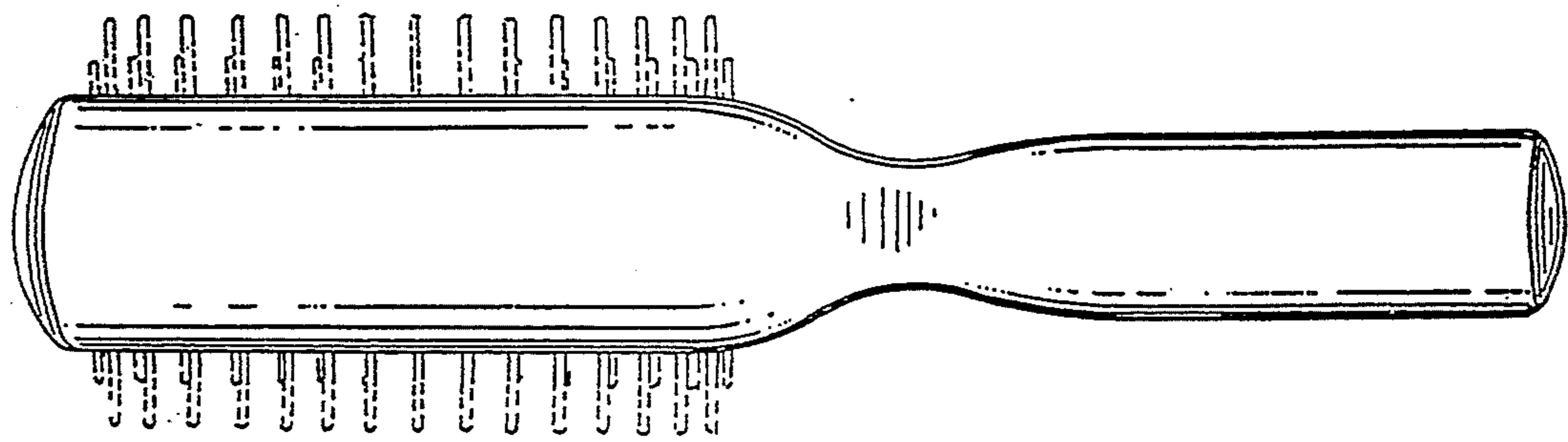


FIG. 6

