



US00D358259S

# United States Patent [19]

[11] Patent Number: Des. 358,259

Sears

[45] Date of Patent: \*\* May 16, 1995

[54] SCALP BRUSH

[76] Inventor: Jack T. Sears, 1140 - 3rd St., Spearfish, S. Dak. 57783

[\*\*] Term: 14 Years

[21] Appl. No.: 11,431

[22] Filed: Aug. 2, 1993

[52] U.S. Cl. .... D4/134; D4/104

[58] Field of Search ..... D4/104-112, D4/130, 132-134, 138; D28/63; 15/143.1, 145, 159.1, 160, 167.1, 186-187

[56] **References Cited**

**U.S. PATENT DOCUMENTS**

D. 183,065	6/1958	Schotland	.....	D28/63
D. 332,352	1/1993	Caldwell et al.	.....	D4/104
4,508,108	4/1985	Miyaoka	.....	15/145 X

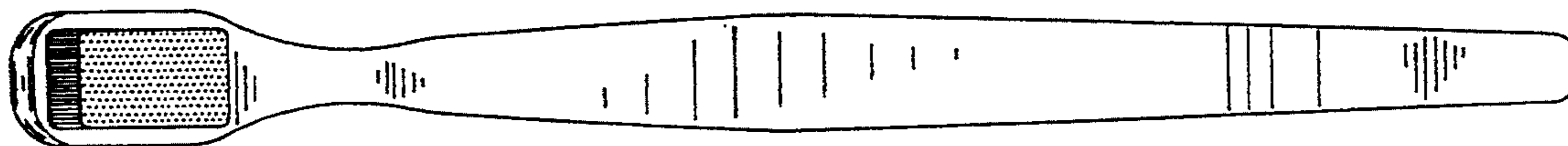
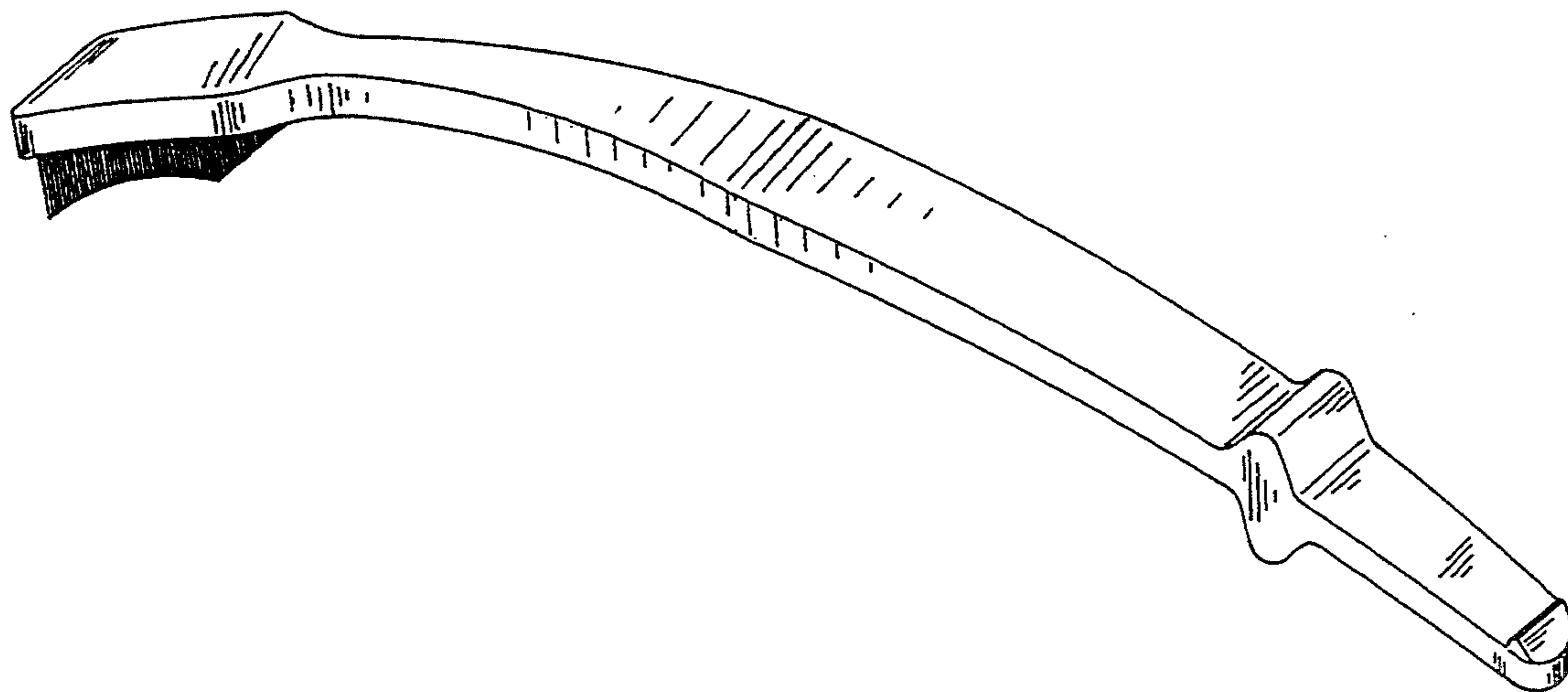
*Primary Examiner*—James M. Gandy  
*Assistant Examiner*—Lavone D. Tabor  
*Attorney, Agent, or Firm*—Zarley, McKee, Thomte, Voorhees & Sease; Mark D. Frederiksen

[57] **CLAIM**

The ornamental design for a scalp brush, as shown and described.

**DESCRIPTION**

FIG. 1 is a perspective view of a scalp brush showing my new design;  
FIG. 2 is a top plan view thereof;  
FIG. 3 is a front elevational view thereof, the rear being a mirror image;  
FIG. 4 is an end elevational view taken from the left end of FIG. 2;  
FIG. 5 is an end elevational view taken from the right end of FIG. 2; and,  
FIG. 6 is a bottom plan view thereof.



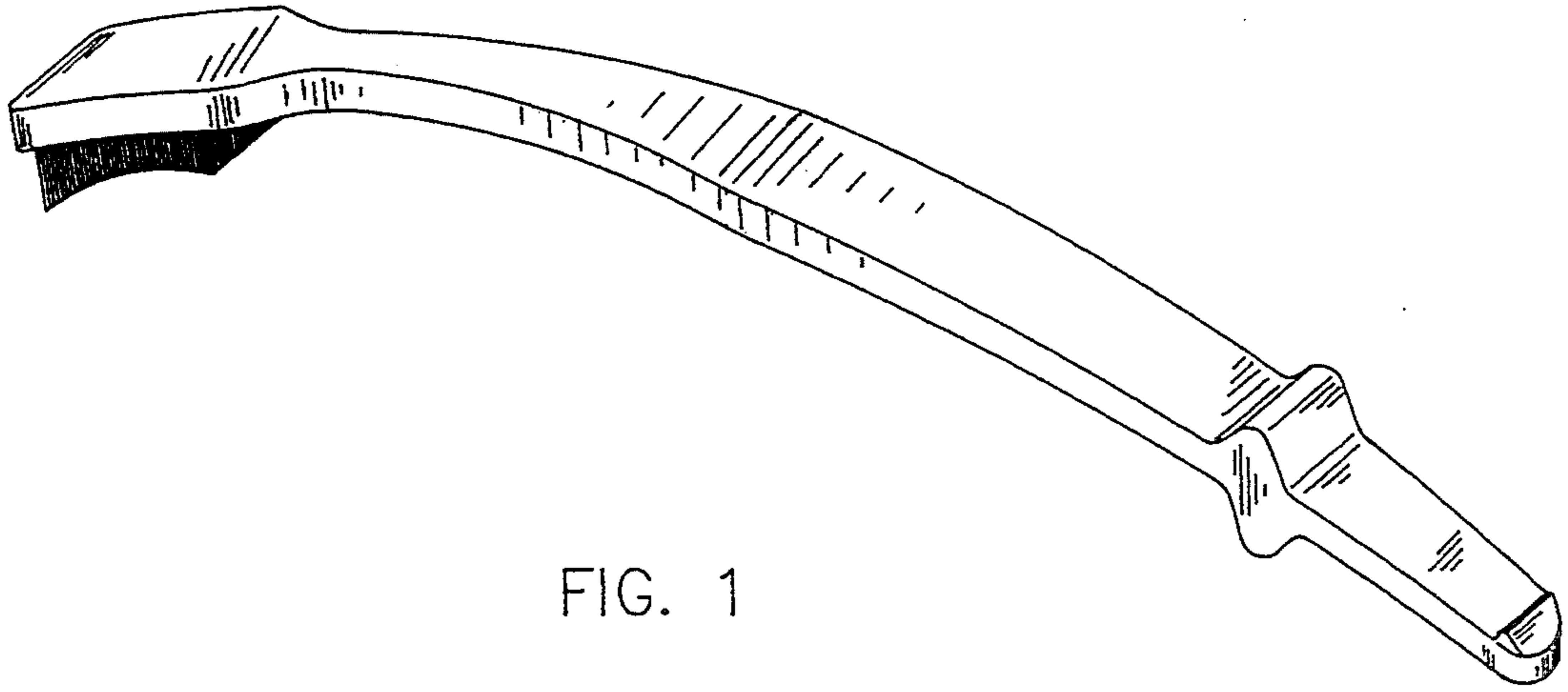


FIG. 1

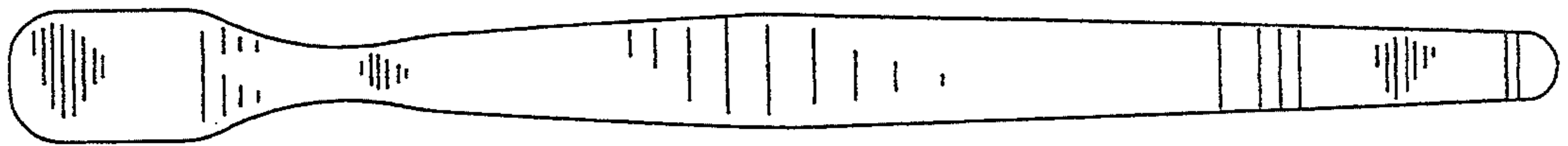


FIG. 2

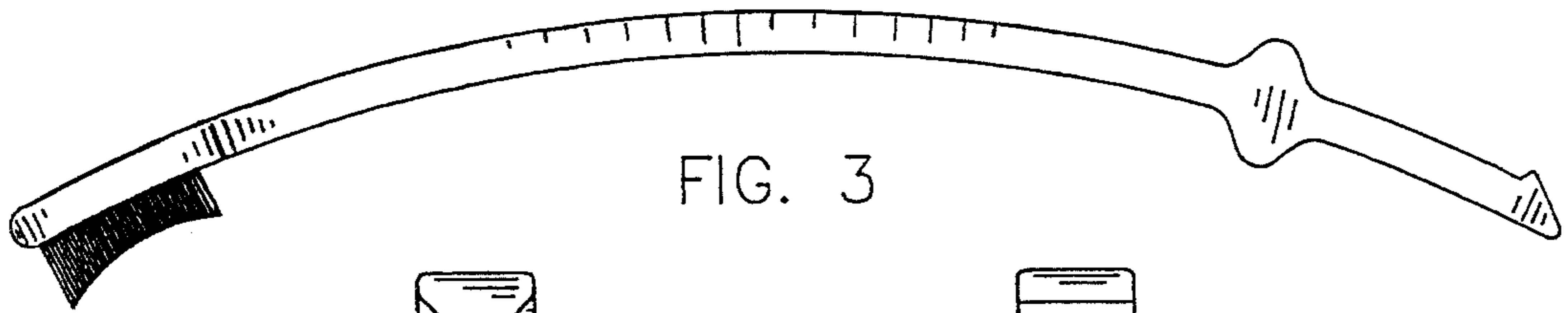


FIG. 3



FIG. 4

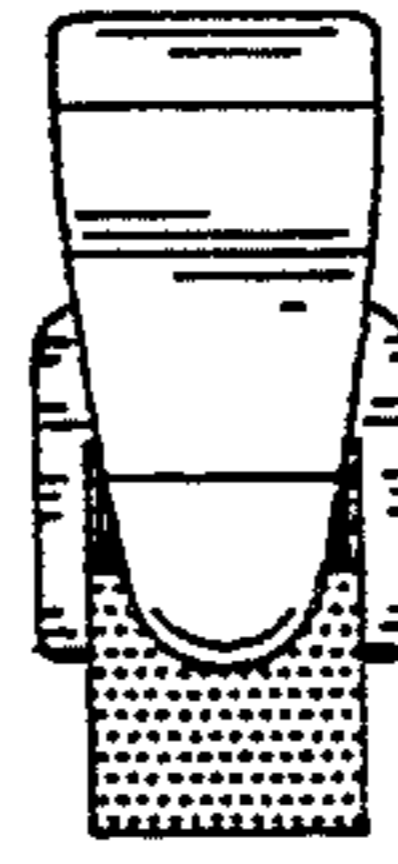


FIG. 5



FIG. 6