



US00D358258S

# United States Patent [19]

Gingras

[11] Patent Number: Des. 358,258

[45] Date of Patent: \*\* May 16, 1995

[54] BACK SCRUBBER FOR USE IN A SHOWER

[76] Inventor: Christopher L. Gingras, 629 Lakeway Dr., Pittsfield, Mass. 01201

[\*\*] Term: 14 Years

[21] Appl. No.: 10,222

[22] Filed: Jul. 2, 1993

[52] U.S. Cl. .... D4/115; D28/63

[58] Field of Search ..... D4/114-115, D4/119; D28/63; D32/40, 45; 4/604-606; 15/21.1, 23, 110, 160; 601/112, 136, 154-155, 159

### [56] References Cited

#### U.S. PATENT DOCUMENTS

2,068,757	1/1937	Mishelle	4/606
3,091,776	6/1963	Roberts	4/606
3,750,226	8/1973	Morgan	.
4,014,051	3/1977	Pettit	15/104.92

4,020,519	5/1977	Robison	.
4,040,132	8/1977	Braun	4/606
4,417,362	11/1983	Walker	4/606

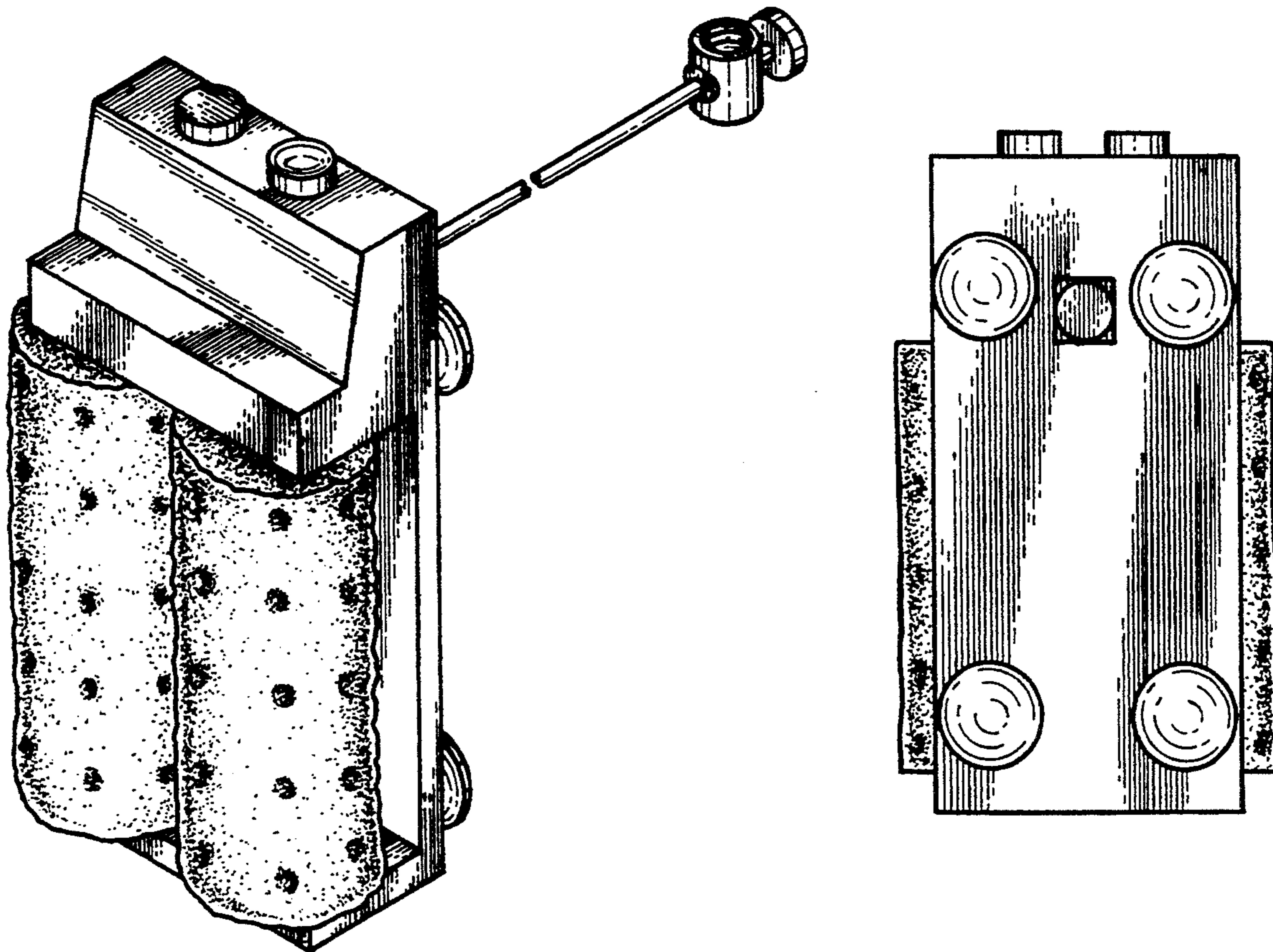
Primary Examiner—James M. Gandy  
Assistant Examiner—Lavone D. Tabor  
Attorney, Agent, or Firm—Terry M. Gernstein

### [57] CLAIM

The ornamental design for a back scrubber for use in a shower, as shown and described.

### DESCRIPTION

FIG. 1 is a perspective view of a back scrubber for use in a shower, the supply line being broken away to indicate indeterminate length;  
FIG. 2 is a front elevational view thereof;  
FIG. 3 is a rear elevational view thereof;  
FIG. 4 is a side elevational view thereof, the side opposite being a mirror image of the side shown in FIG. 4;  
FIG. 5 is a top plan view thereof; and,  
FIG. 6 is a bottom plan view thereof.



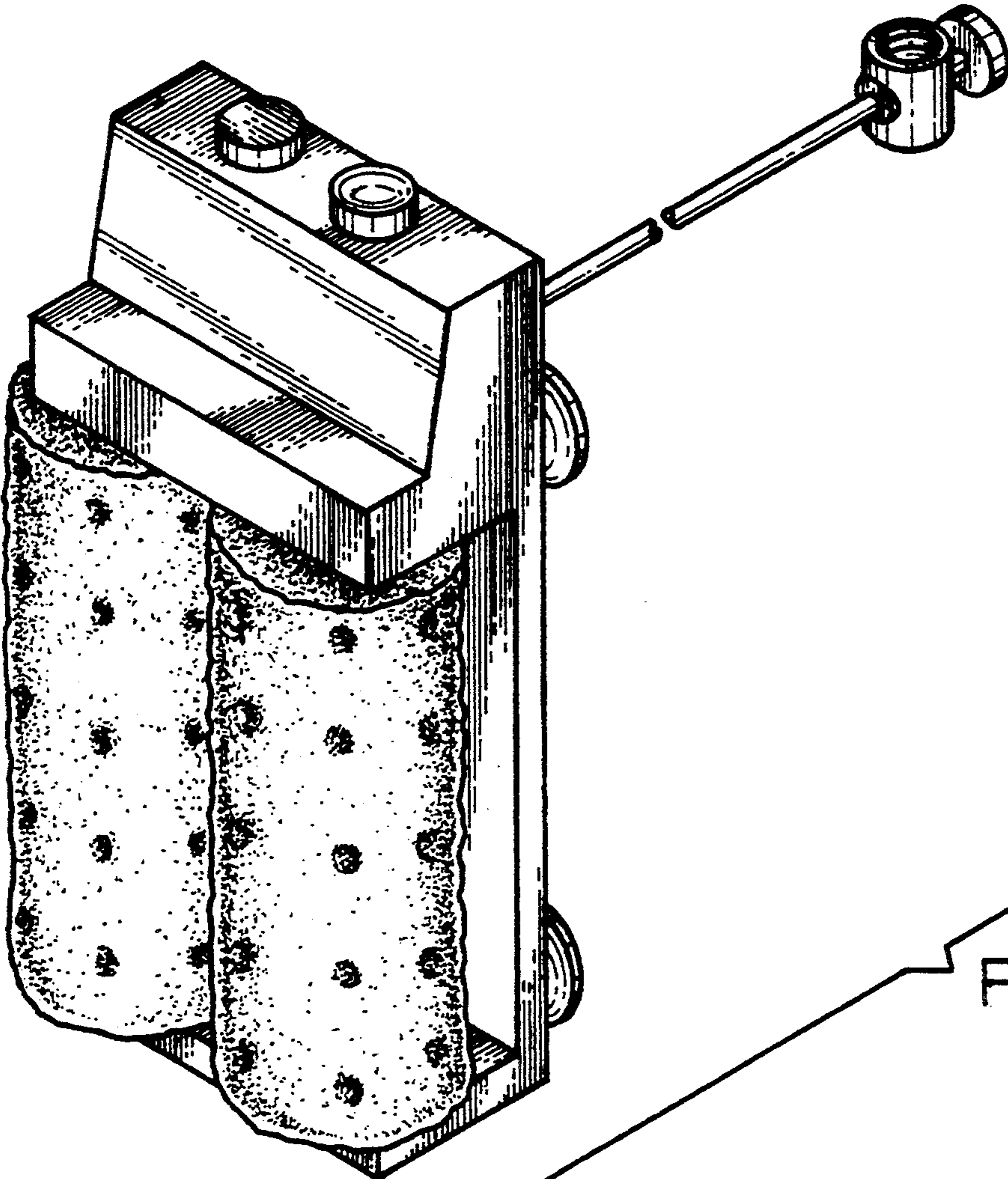


FIG. 1



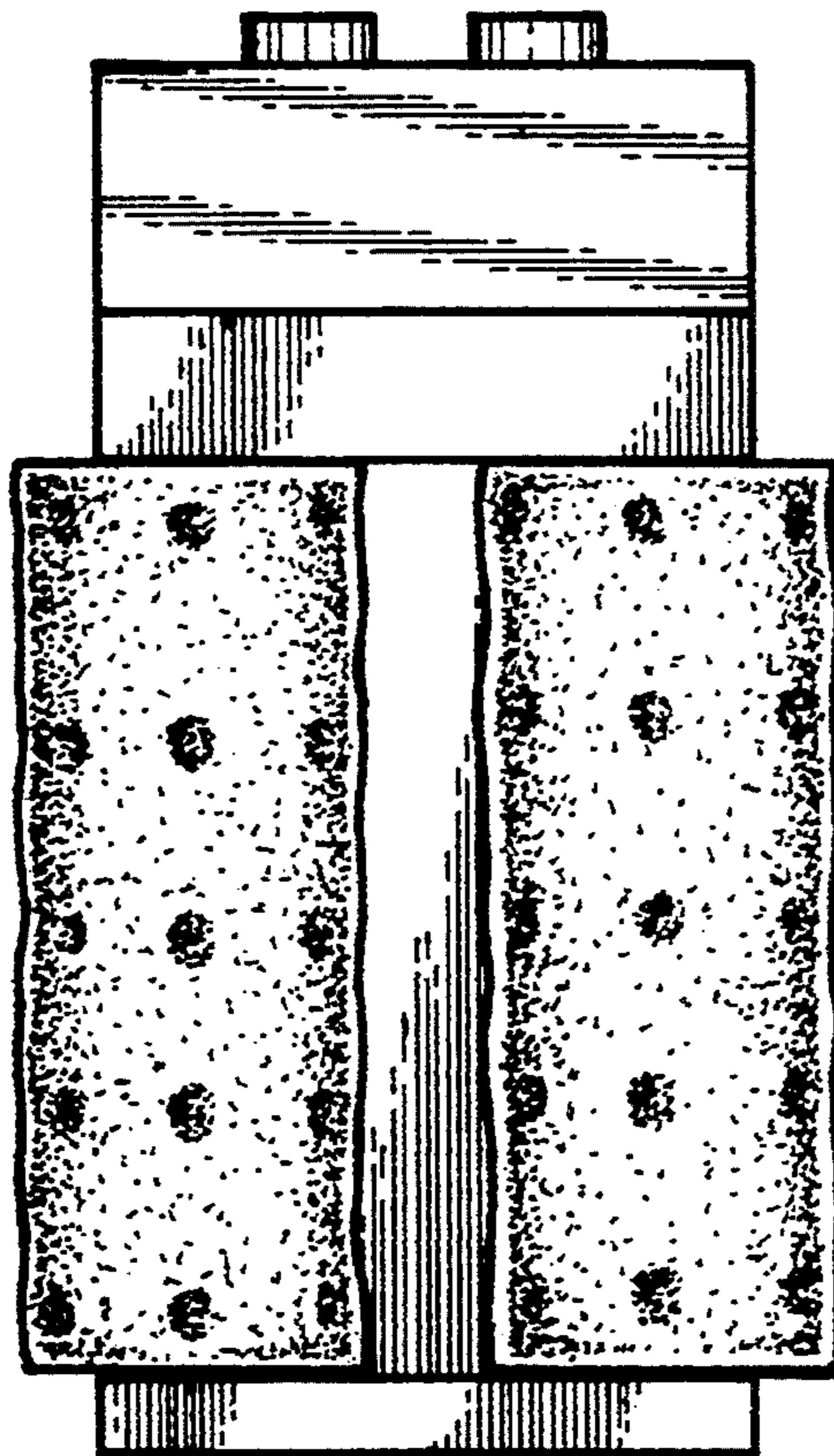


FIG. 2

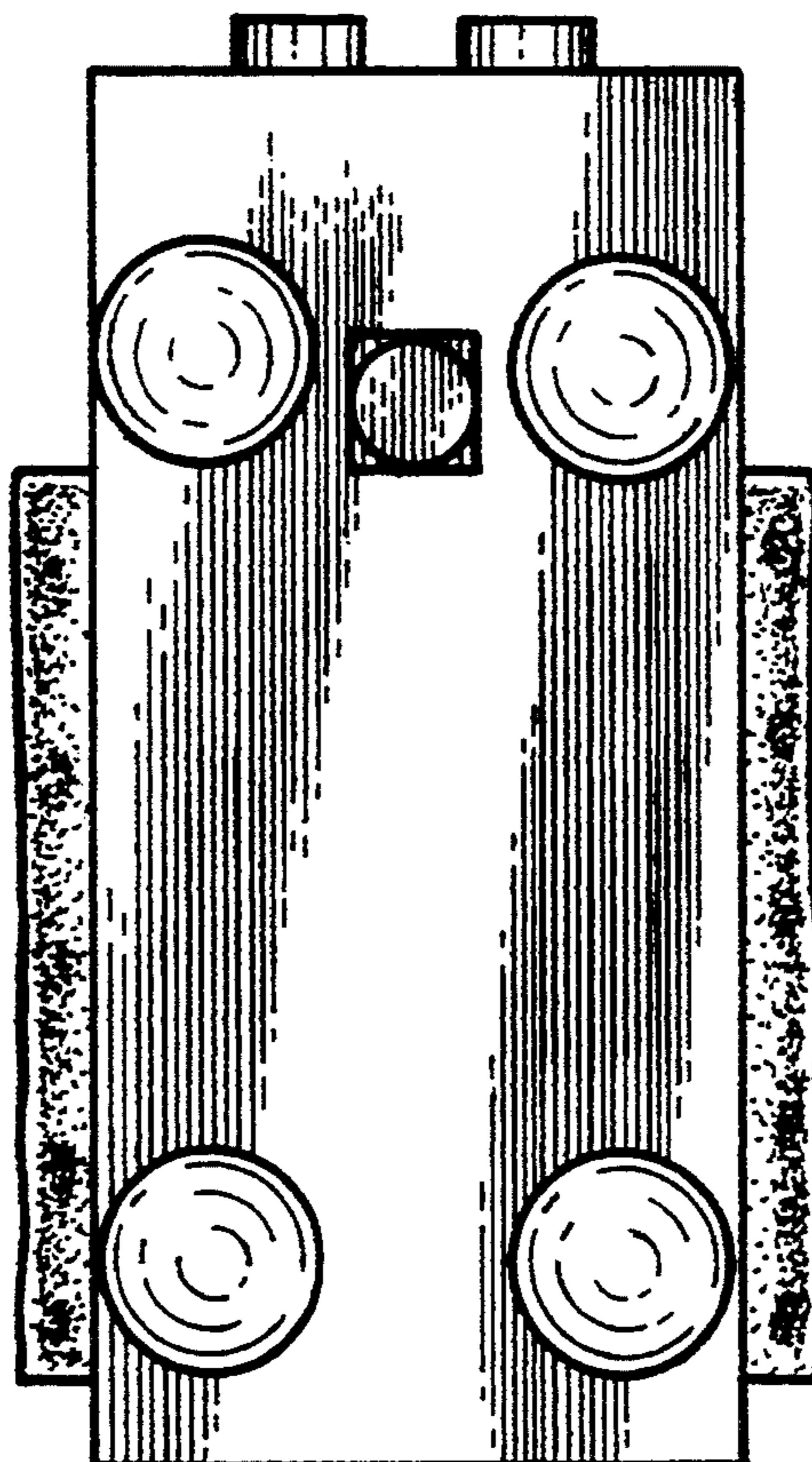


FIG. 3

