



US00D358255S

United States Patent [19]

[11] Patent Number: **Des. 358,255**

Sharp et al.

[45] Date of Patent: **** May 16, 1995**

[54] RIFLE CASE

Primary Examiner—Doris V. Coles
Attorney, Agent, or Firm—Andrew J. Dillon

[75] Inventors: **Doug Sharp, Arlington; Melaney L. Northrop, Cleburne, both of Tex.**

[57] **CLAIM**

[73] Assignee: **Doskocil Manufacturing Company, Inc., Arlington, Tex.**

The ornamental design for a rifle case, as shown and described.

[**] Term: **14 Years**

DESCRIPTION

[21] Appl. No.: **14,198**

FIG. 1 is a perspective view of the rifle case of the present invention;

[22] Filed: **Oct. 15, 1993**

FIG. 2 is a top view of the rifle case of the present invention;

[52] U.S. Cl. **D3/262**

FIG. 3 is a left side view of the rifle case of the present invention;

[58] Field of Search **D3/262, 254, 282, 276, D3/291; 206/315.11, 314, 317**

FIG. 4 is a bottom view of the rifle case of the present invention;

[56] **References Cited**

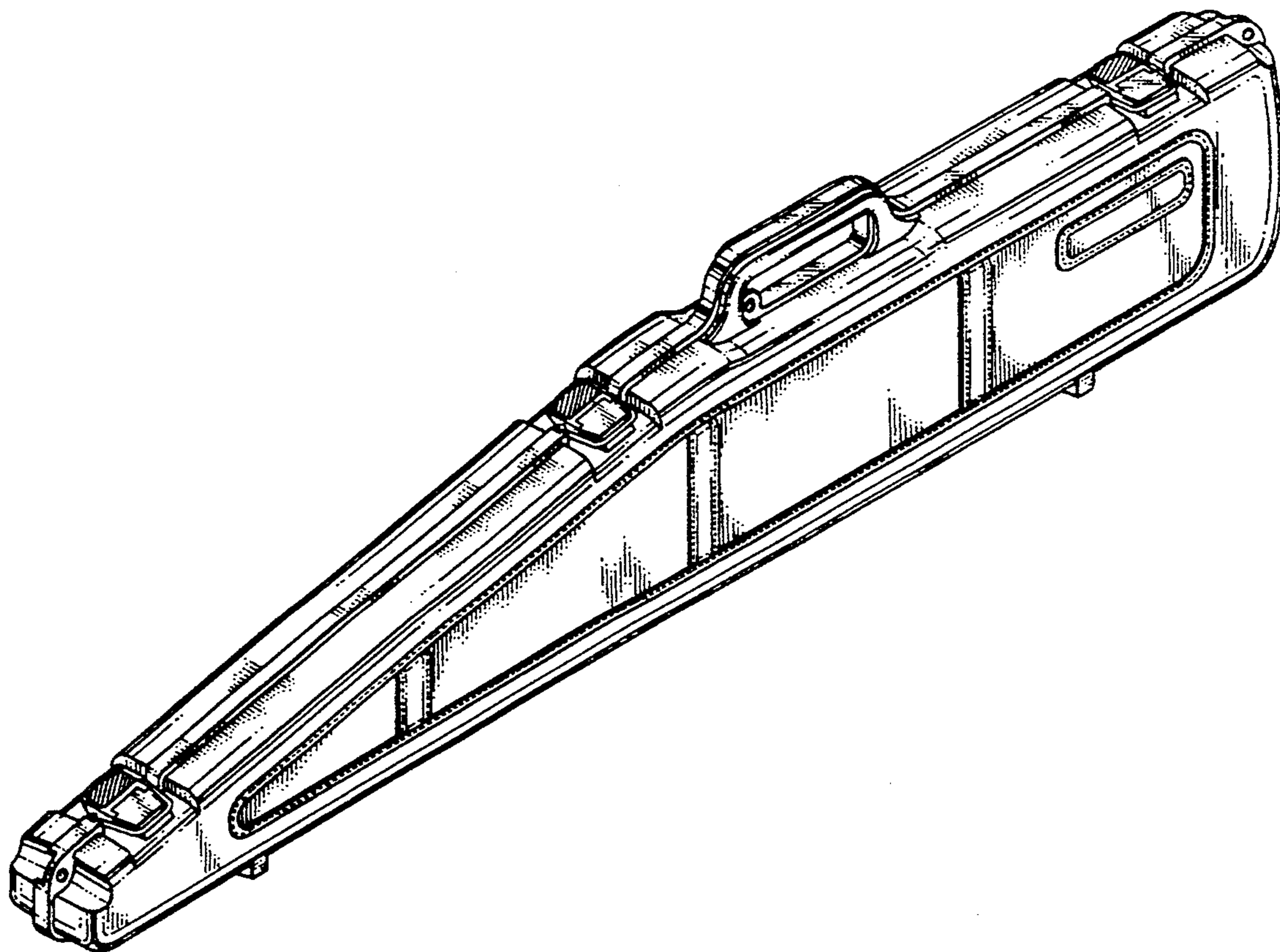
FIG. 5 is a right side view of the rifle case of the present invention;

U.S. PATENT DOCUMENTS

FIG. 6 is a muzzle end view of the rifle case of the present invention; and,

- D. 320,113 9/1991 Van Skiver D3/262
- D. 336,984 7/1993 Van Skiver D3/262
- D. 347,322 5/1994 Flore D3/262

FIG. 7 is a butt end view of the rifle case of the present invention.



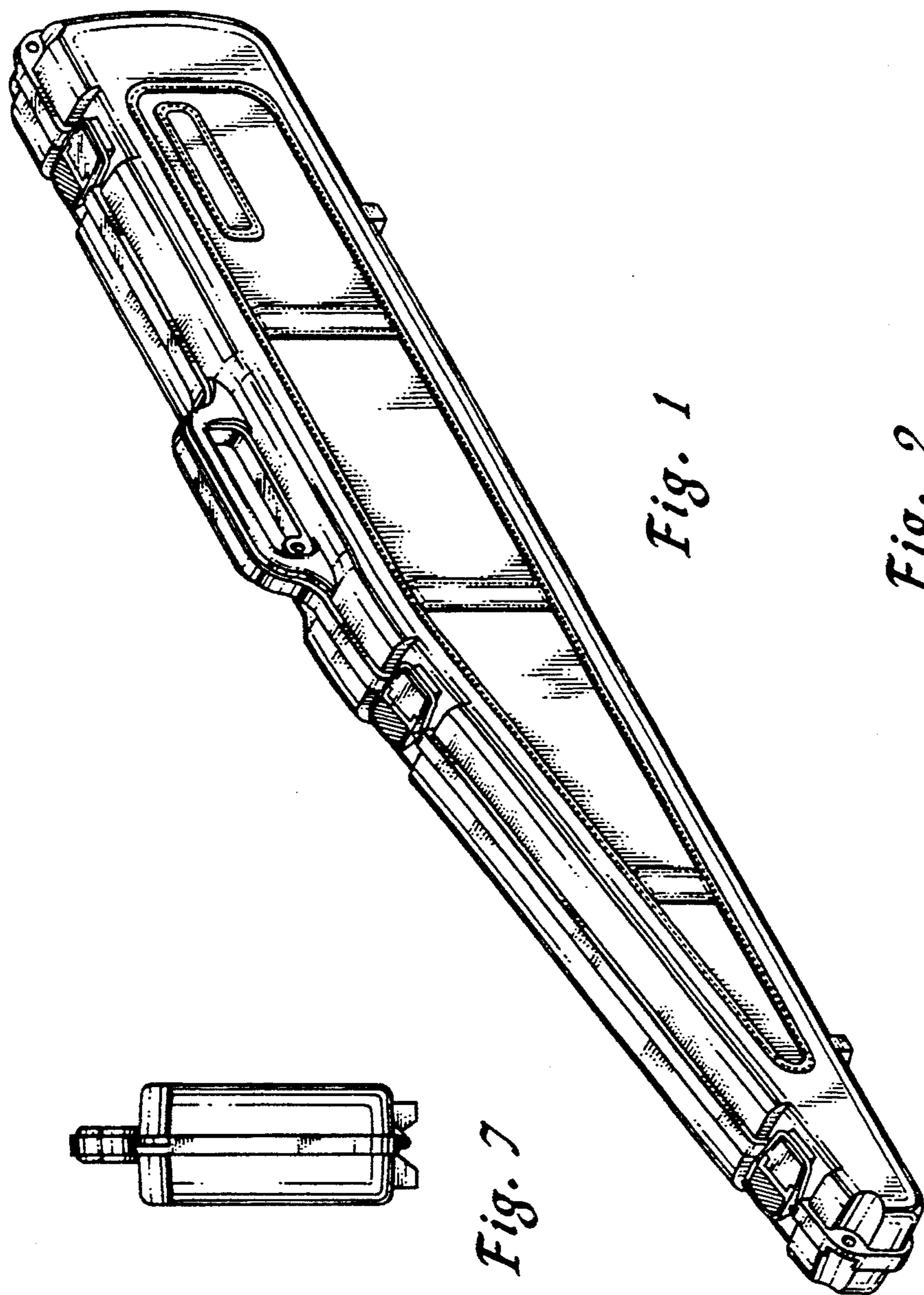


Fig. 1



Fig. 2

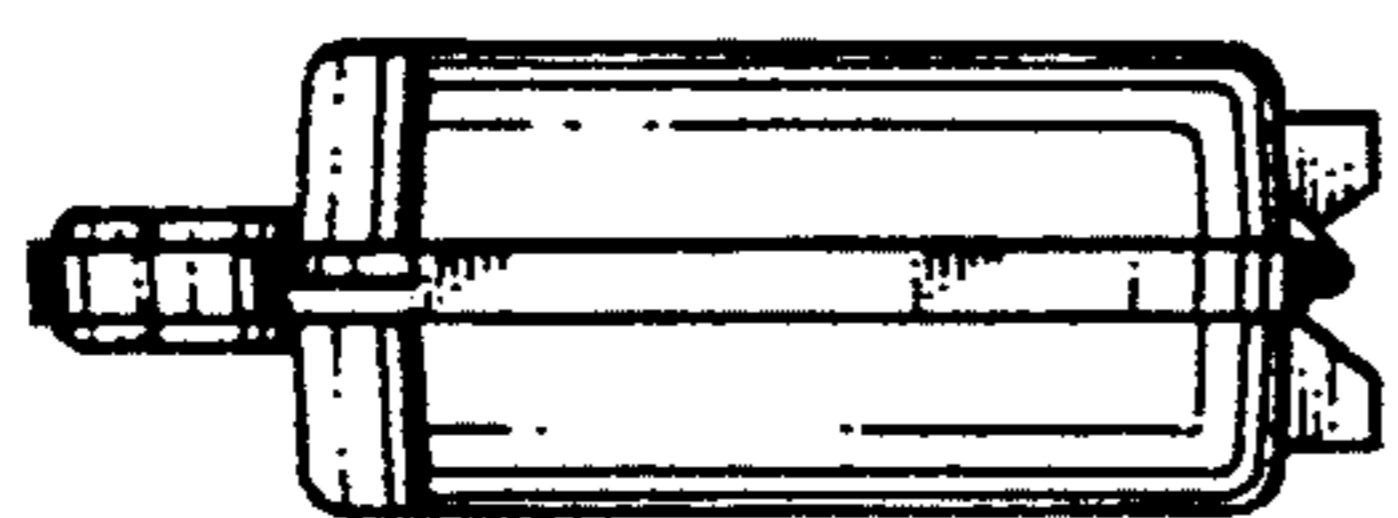


Fig. 7



Fig. 6

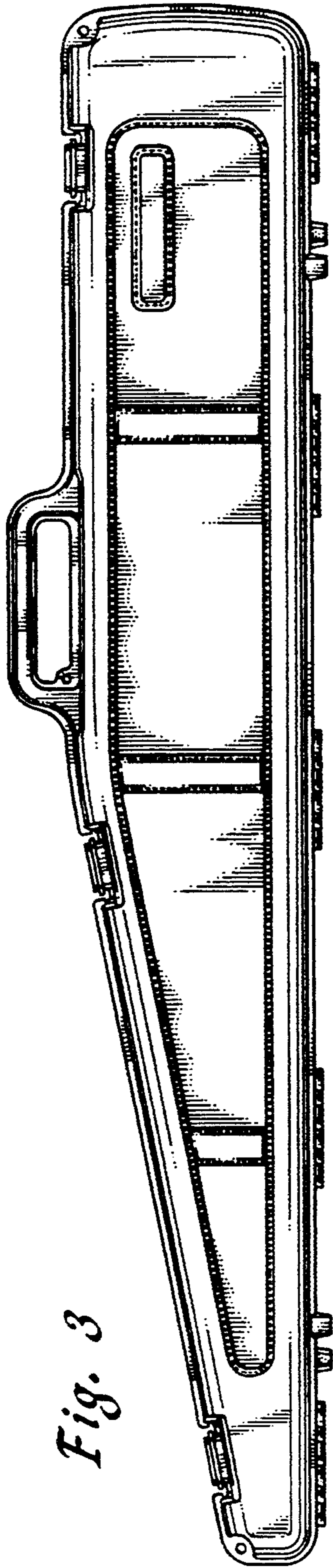


Fig. 3

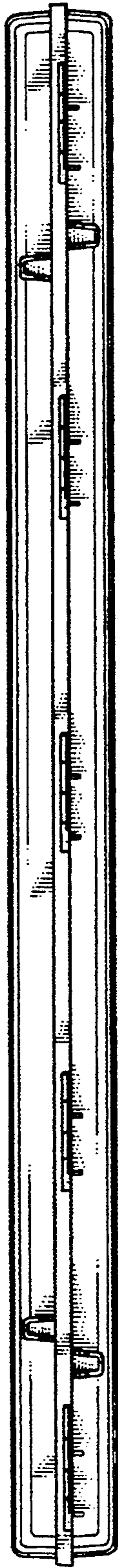


Fig. 4

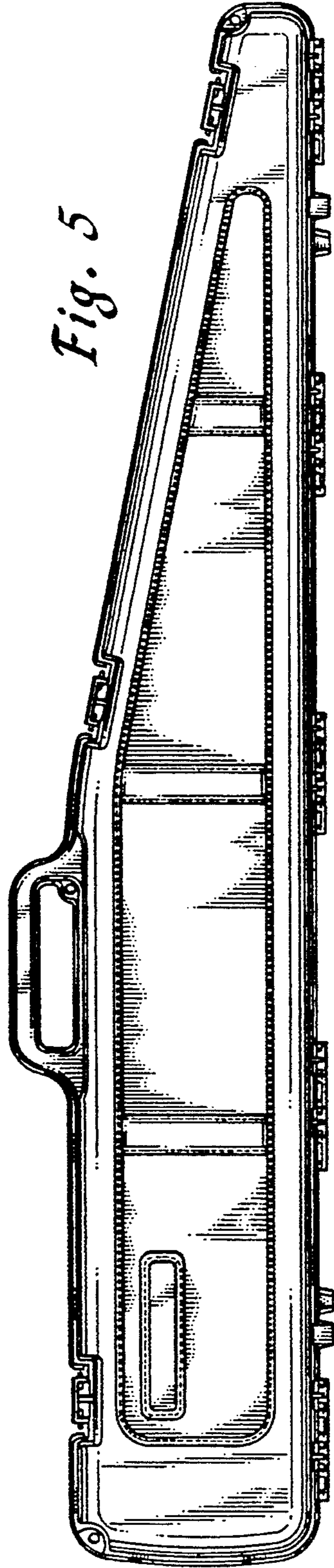


Fig. 5