



US00D358254S

# United States Patent [19]

VanSkiver

[11] Patent Number: **Des. 358,254**

[45] Date of Patent: **\*\* May 16, 1995**

[54] **BOW CASE**

[75] Inventor: **Ralph VanSkiver**, Arlington, Tex.

[73] Assignee: **Doskocil Manufacturing Company, Inc.**, Arlington, Tex.

[\*\*] Term: **14 Years**

[21] Appl. No.: **15,907**

[22] Filed: **Dec. 1, 1993**

[52] U.S. Cl. .... **D3/254; D3/262**

[58] Field of Search ..... **D3/254, 262, 281, 269, D3/276, 291; 206/315.11, 314, 317**

[56] **References Cited**

**U.S. PATENT DOCUMENTS**

- D. 246,138 10/1977 Christensen et al. .... D3/254
- D. 343,057 1/1994 Dickinson ..... D3/262

**OTHER PUBLICATIONS**

Sportsman's Guide, 1991 Hunting Issue, p. 71, Terminator Hardside Bow Case.

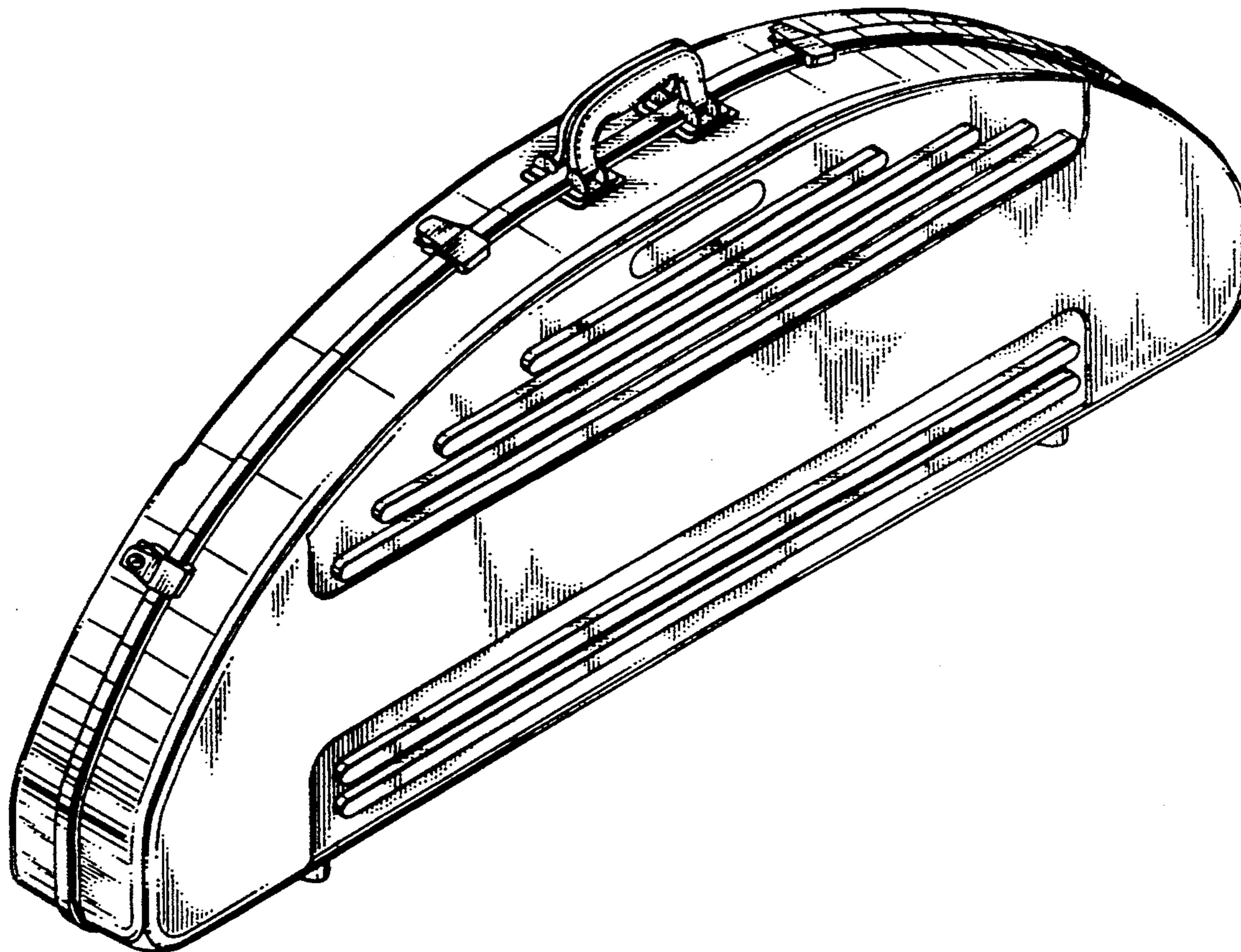
*Primary Examiner*—Doris V. Coles  
*Attorney, Agent, or Firm*—Andrew J. Dillon

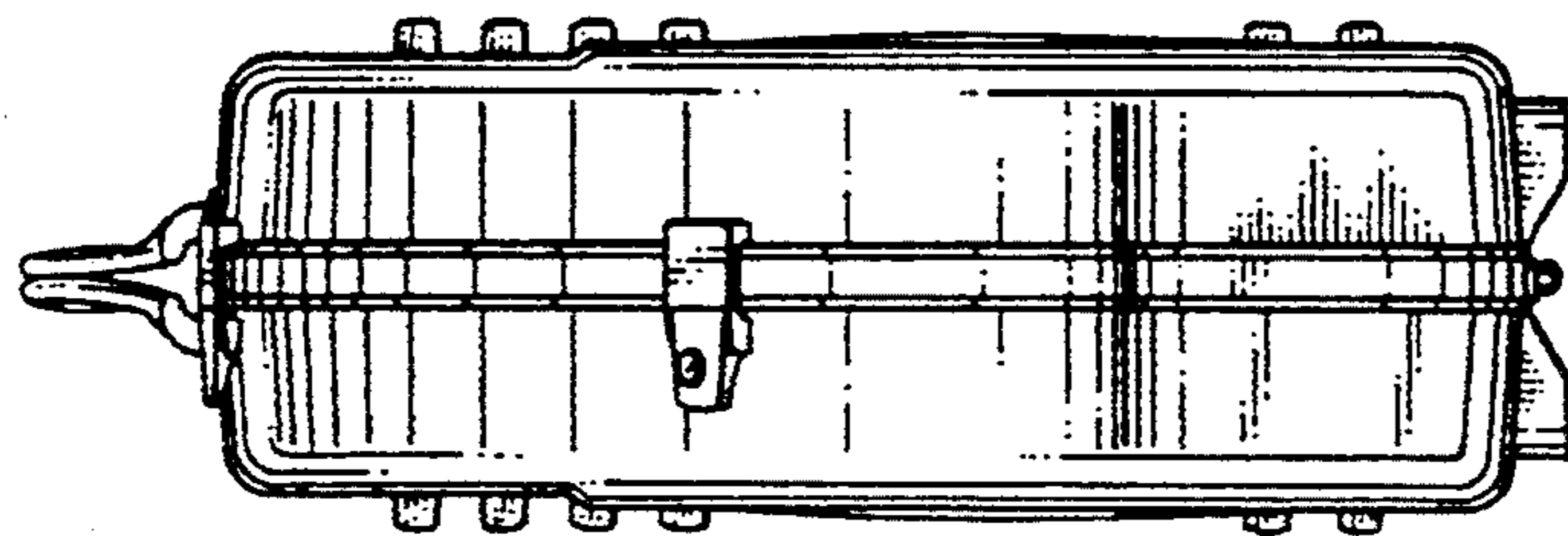
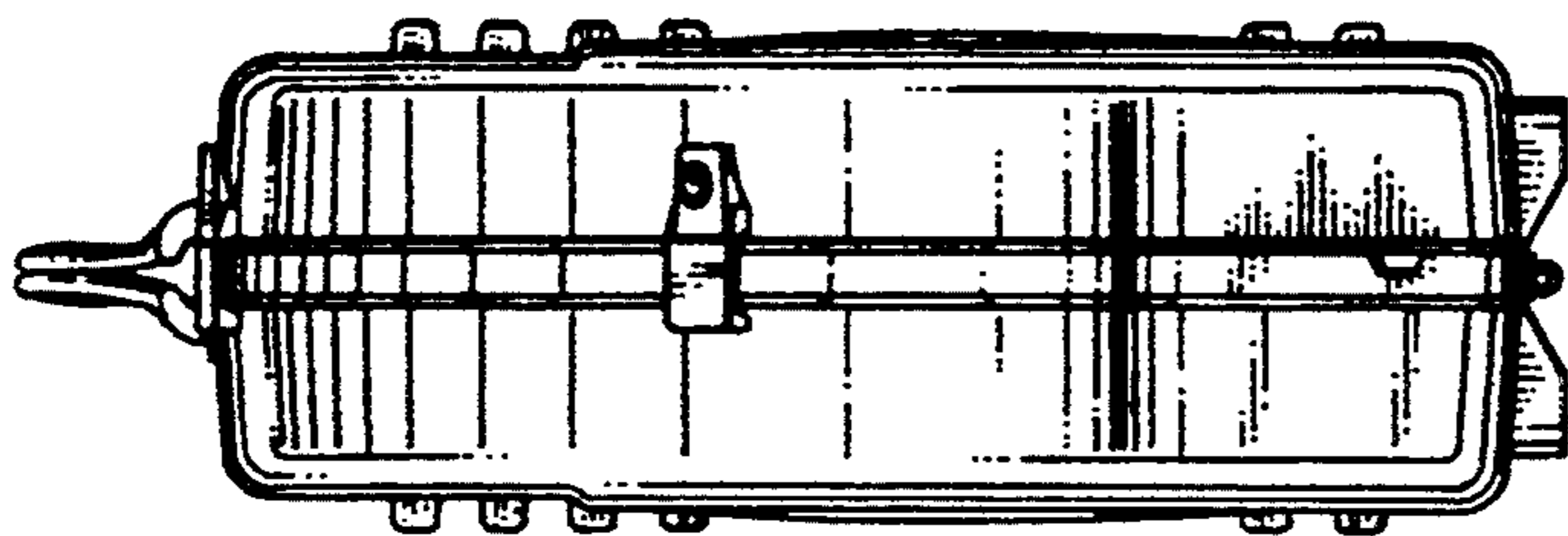
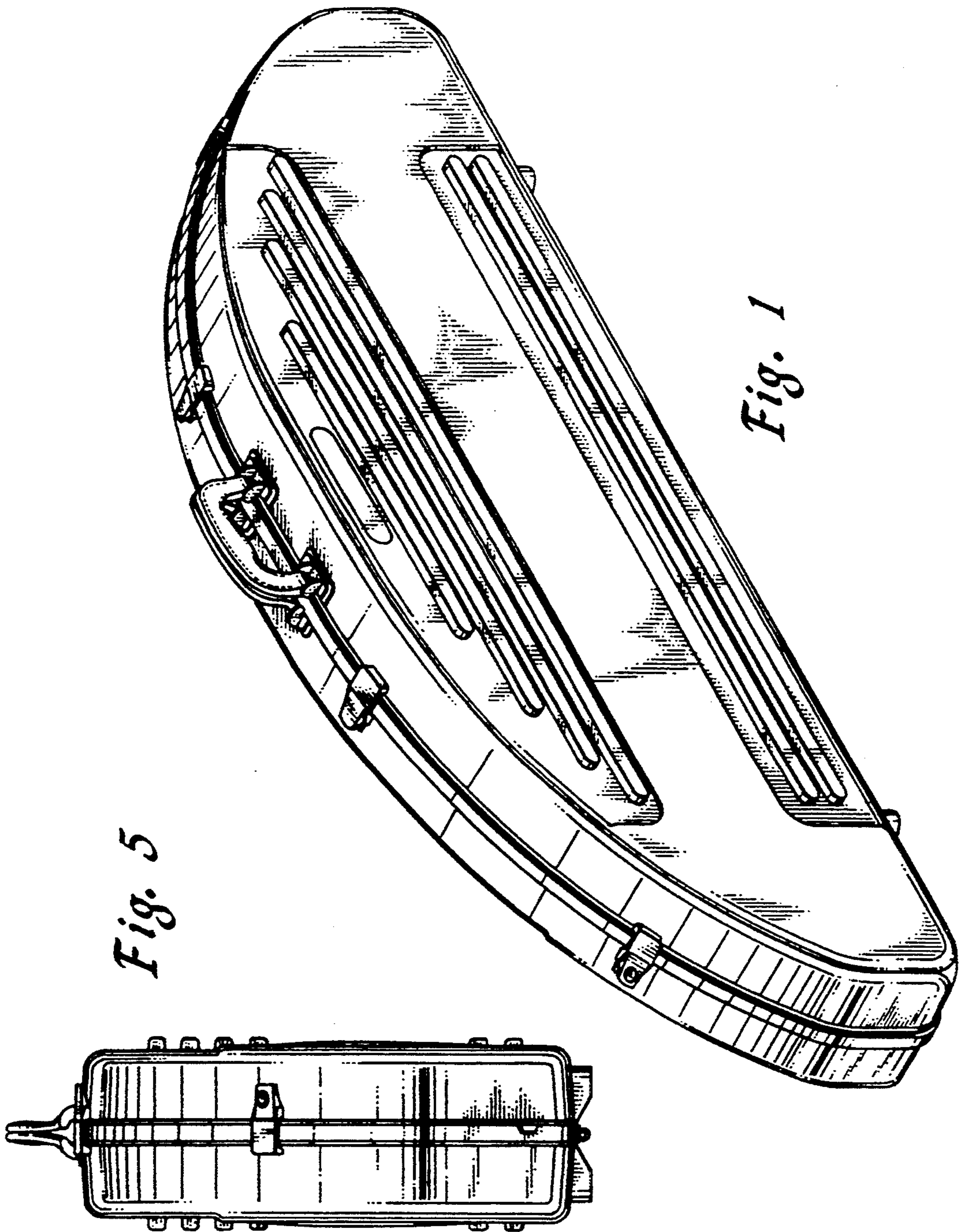
[57] **CLAIM**

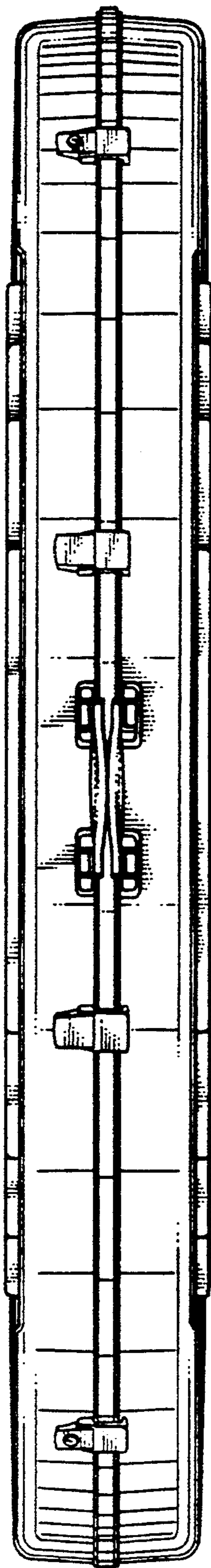
The ornamental design for a bow case, as shown and described.

**DESCRIPTION**

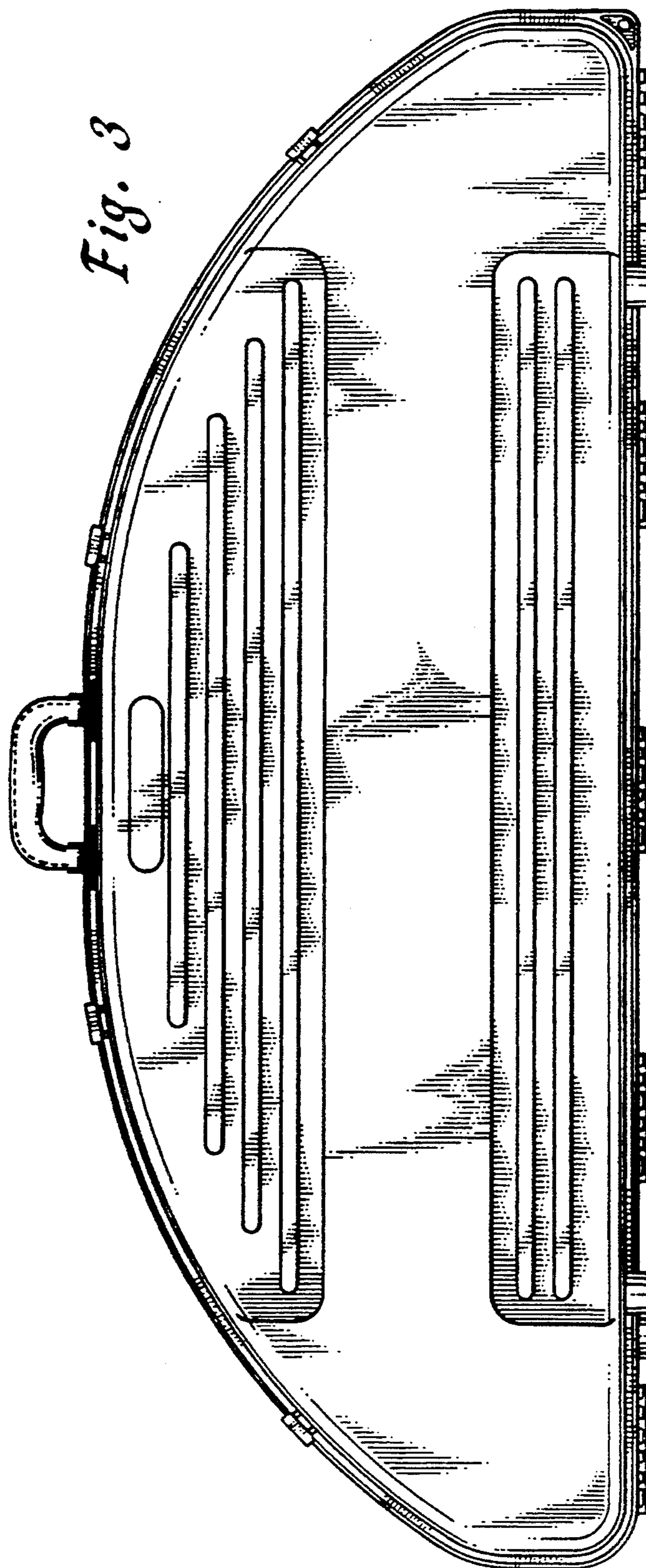
FIG. 1 is a perspective view of the bow case of the present invention;  
 FIG. 2 is a top view of the bow case of the present invention;  
 FIG. 3 is a left side view of the bow case of the present invention;  
 FIG. 4 is a front view of the bow case of the present invention;  
 FIG. 5 is a rear side view of the bow case of the present invention;  
 FIG. 6 is a bottom view of the bow case of the present invention; and,  
 FIG. 7 is a right side view of the bow case of the present invention.



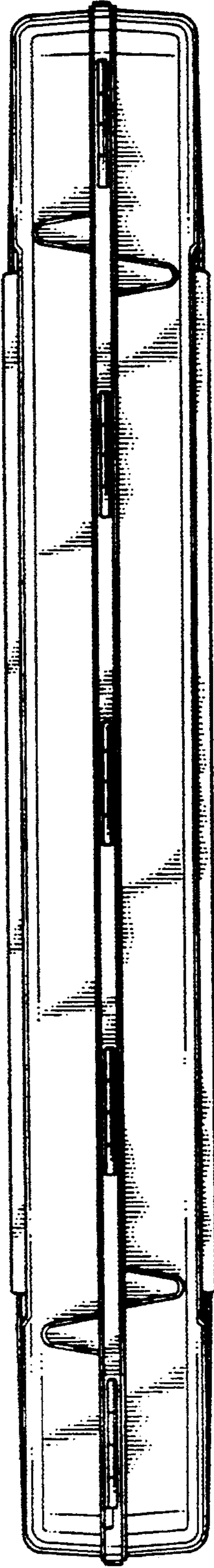




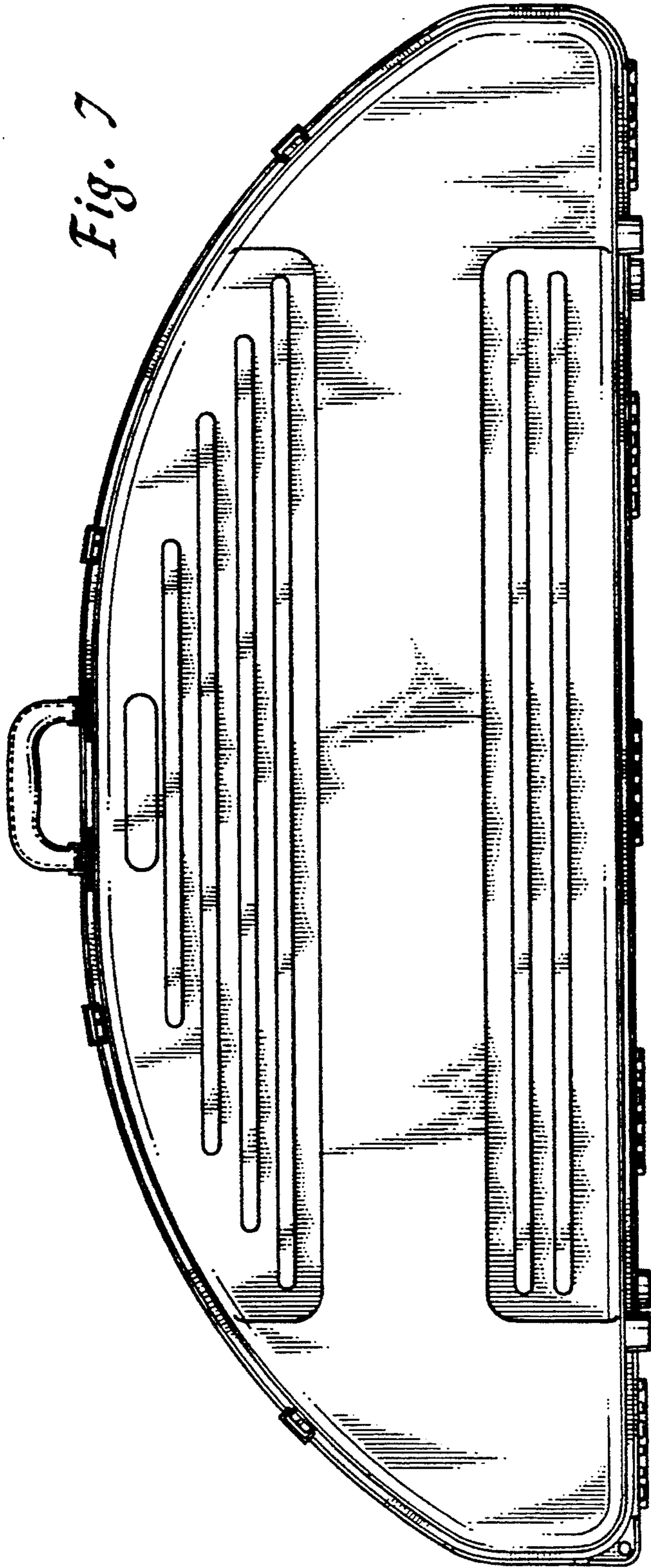
*Fig. 2*



*Fig. 3*



*Fig. 6*



*Fig. 7*