



US00D358244S

# United States Patent [19]

[11] Patent Number: **Des. 358,244**

Teufel et al.

[45] Date of Patent: **\*\* May 9, 1995**

[54] **SPONGE MOP WITH COMPOSITE CURVED WRINGER PLATE**

2,153,601	4/1939	Vaughn	.....	D32/50 X
2,222,368	11/1940	Lux	.....	15/119.2
2,442,467	6/1948	Lux	.....	15/119.2
2,774,091	12/1956	Greenleaf	.....	15/119.2

[75] Inventors: **Rainer B. Teufel**, Columbus; **Paul R. Burger**, Milford; **Diana W. Juratovac**; **Thomas J. Ward**, both of Columbus, all of Ohio

*Primary Examiner*—Susan J. Lucas  
*Assistant Examiner*—Cynthia Ramirez  
*Attorney, Agent, or Firm*—Panitch Schwarze Jacobs & Nadel

[73] Assignee: **Vining Industries, Inc.**, Springfield, Ohio

[\*\*] Term: **14 Years**

### [57] CLAIM

[21] Appl. No.: **10,853**

The ornamental design for a sponge mop with composite curved wringer plate, as shown and described.

[22] Filed: **Jul. 20, 1993**

### DESCRIPTION

[52] U.S. Cl. .... **D32/44; D32/40**

FIG. 1 is a three-quarter perspective view of the sponge mop with composite curved wringer plate;

[58] Field of Search ..... **D32/40, 44, 49, 50, D32/51; 15/119.2, 119.1, 120.2**

FIG. 2 is a side view thereof, the other side being identical;

### [56] References Cited

#### U.S. PATENT DOCUMENTS

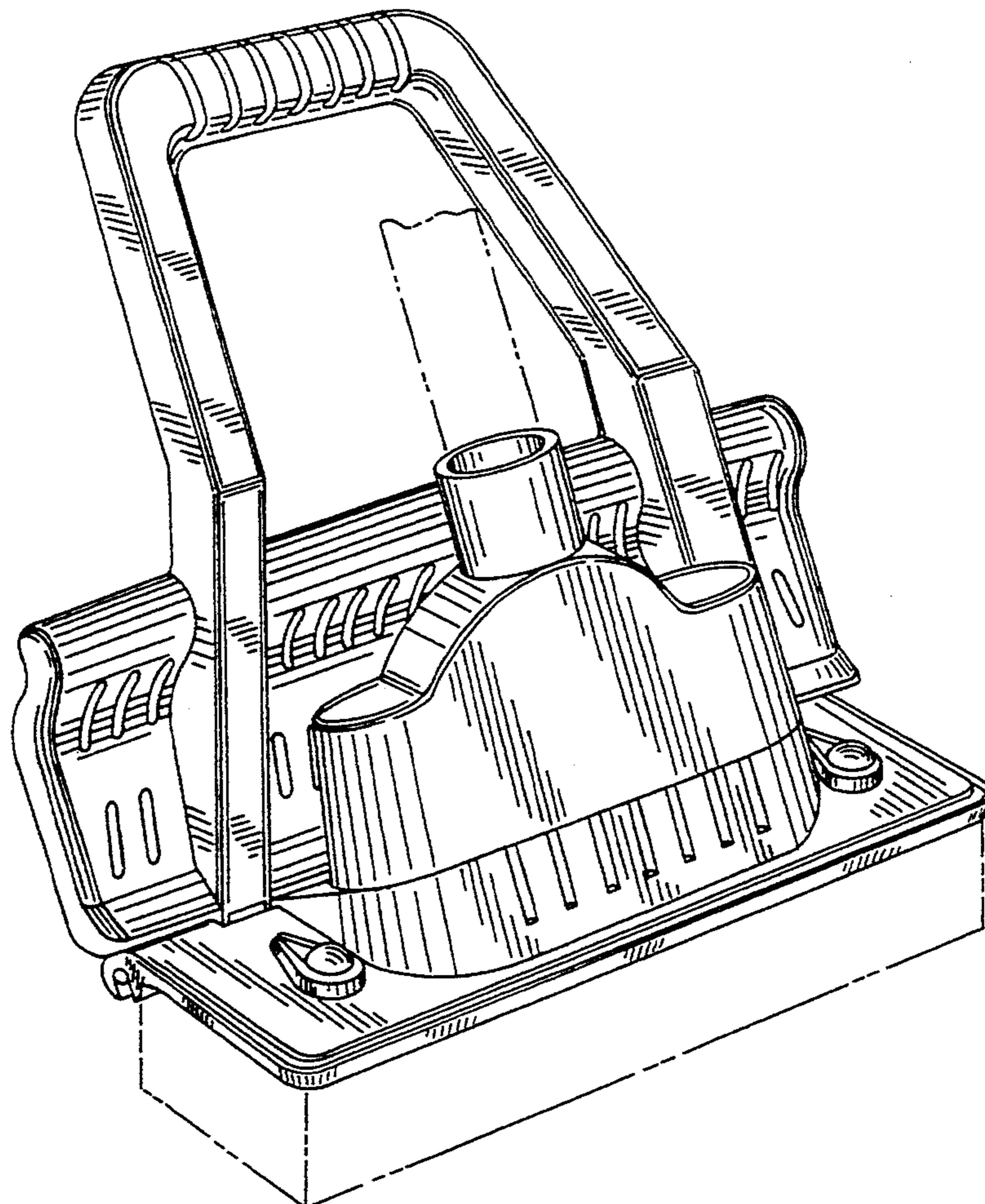
D. 180,603	7/1957	Kautenberg	.....	D32/44
D. 199,178	9/1964	Cornell et al.	.....	D32/44
D. 205,441	5/1966	Tillinghast	.....	D32/44
D. 205,442	5/1966	Tillinghast	.....	D32/44
D. 294,415	2/1988	Jones	.....	D32/50

FIG. 3 is front view of the sponge mop with wringer plate;

FIG. 4 is a back view of the sponge mop with wringer plate;

FIG. 5 is a top view of the sponge mop with wringer plate; and,

FIG. 6 is a bottom view of the sponge mop with wringer plate.



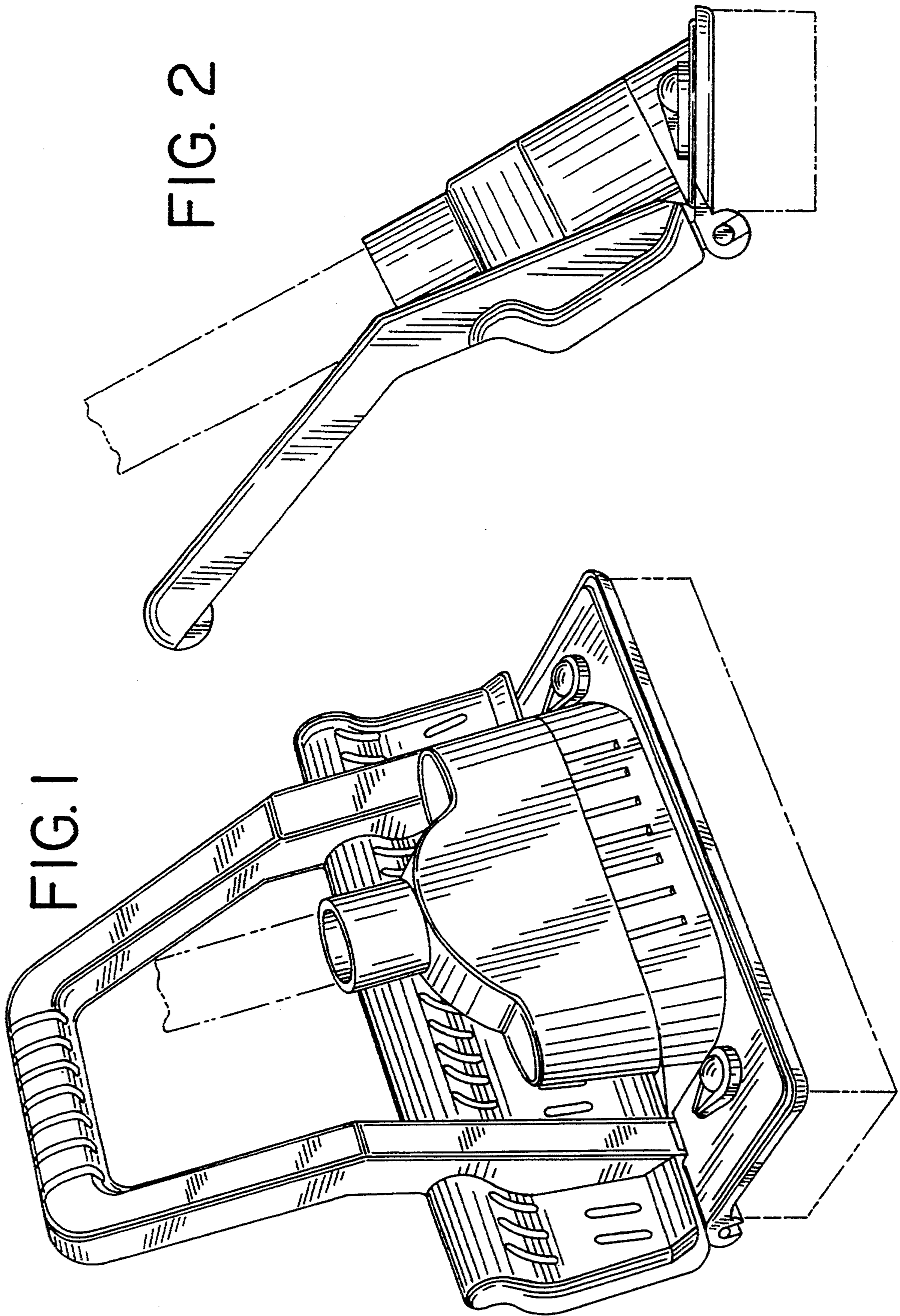




FIG. 3

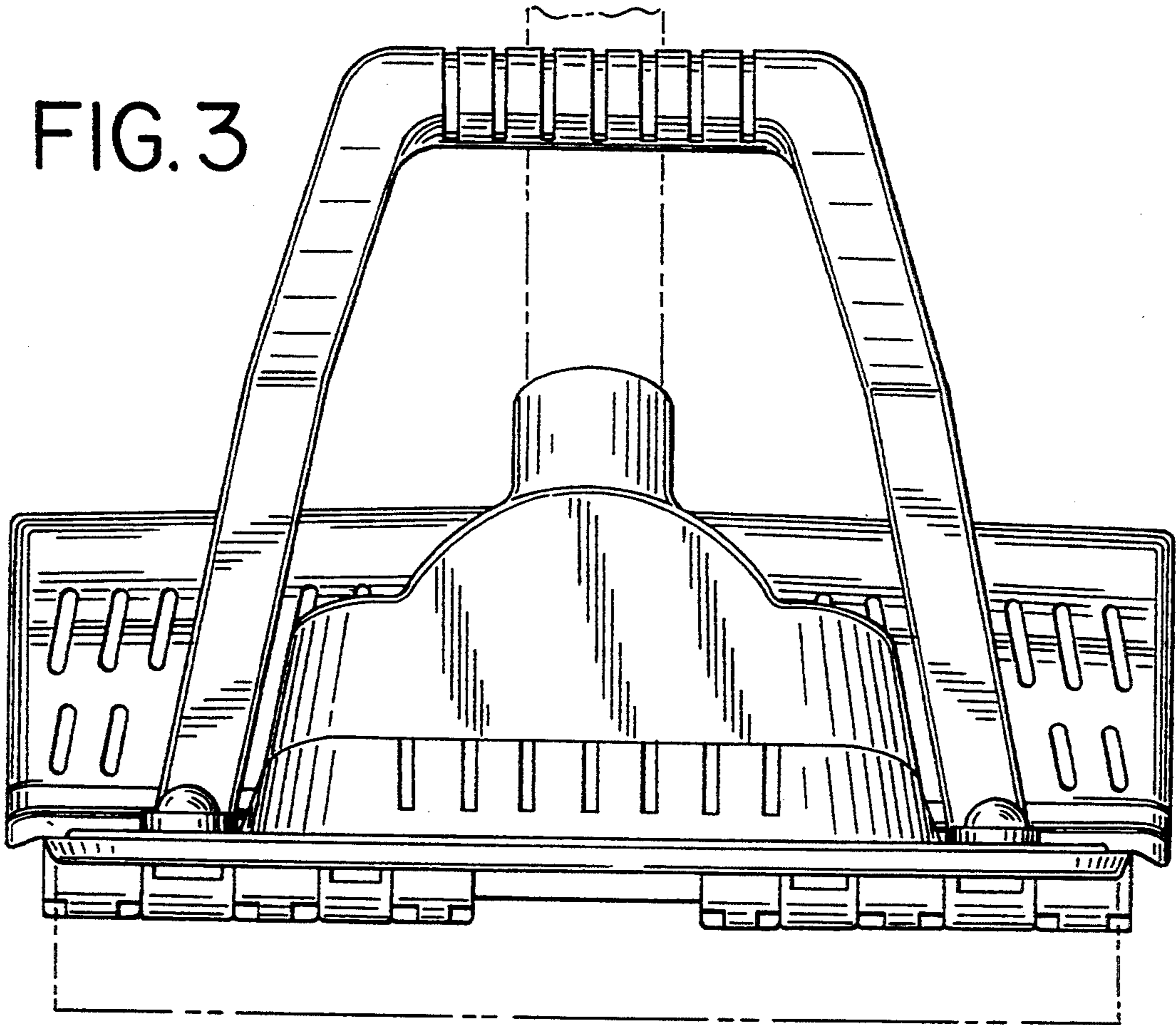


FIG. 4

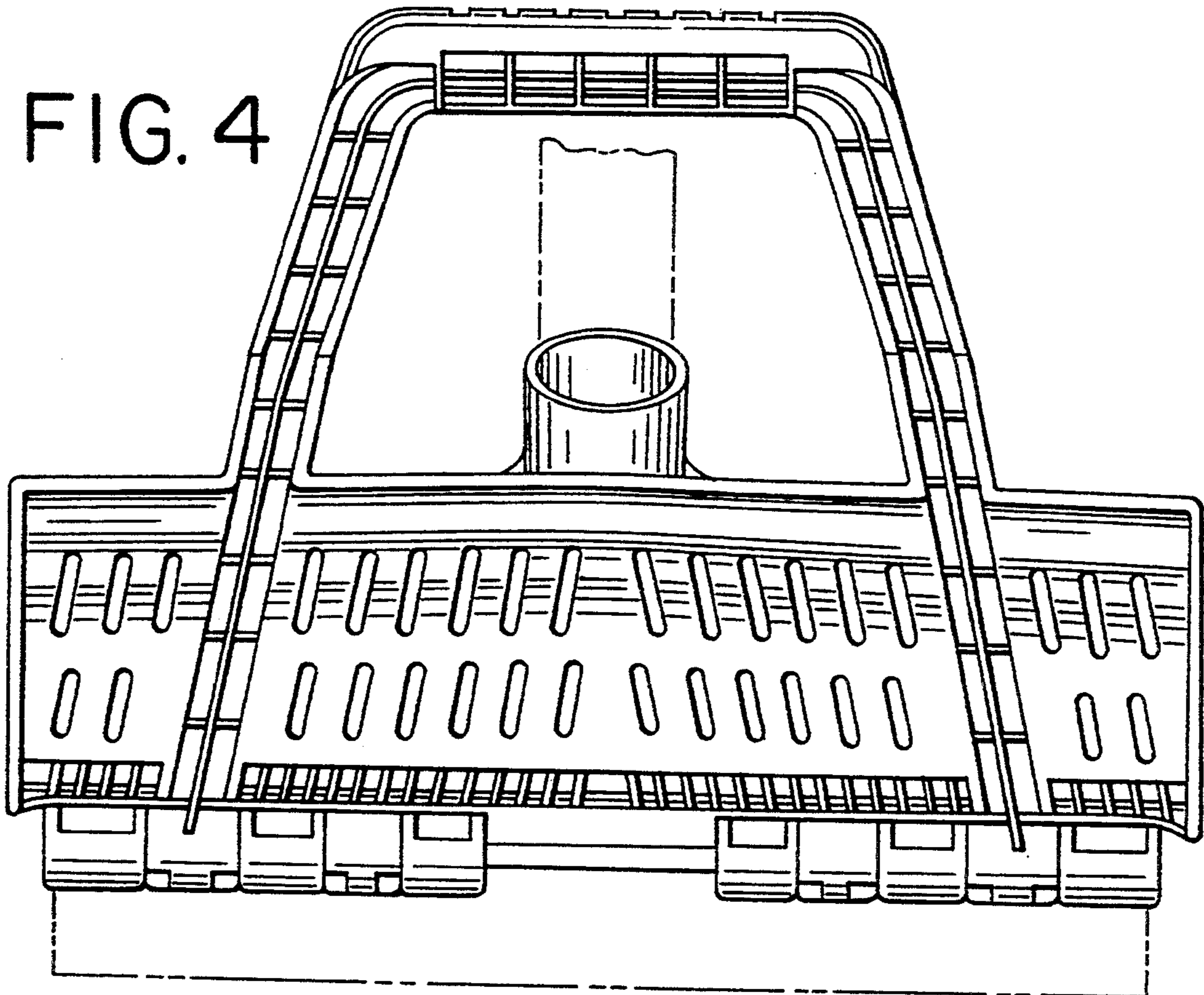


FIG. 5

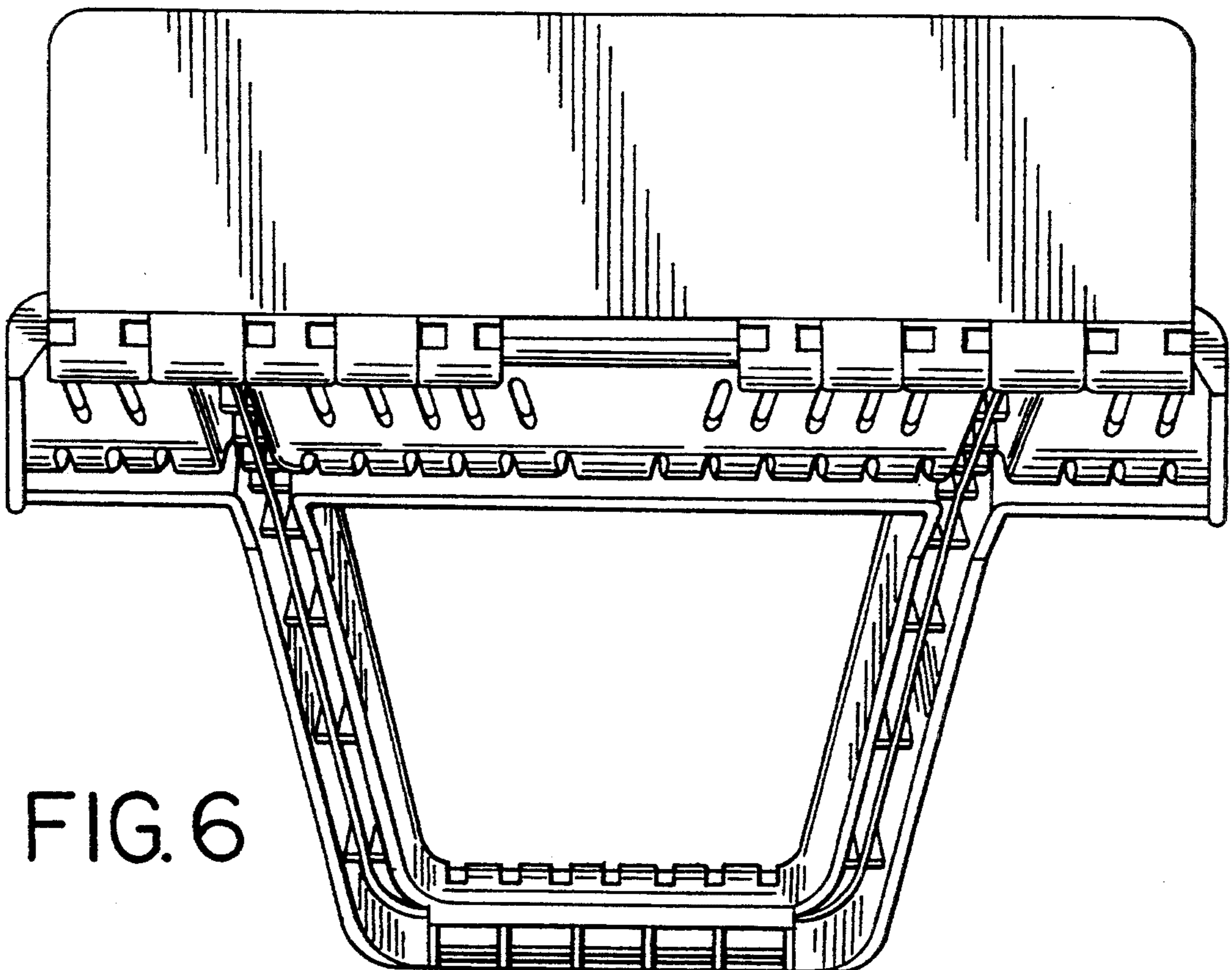
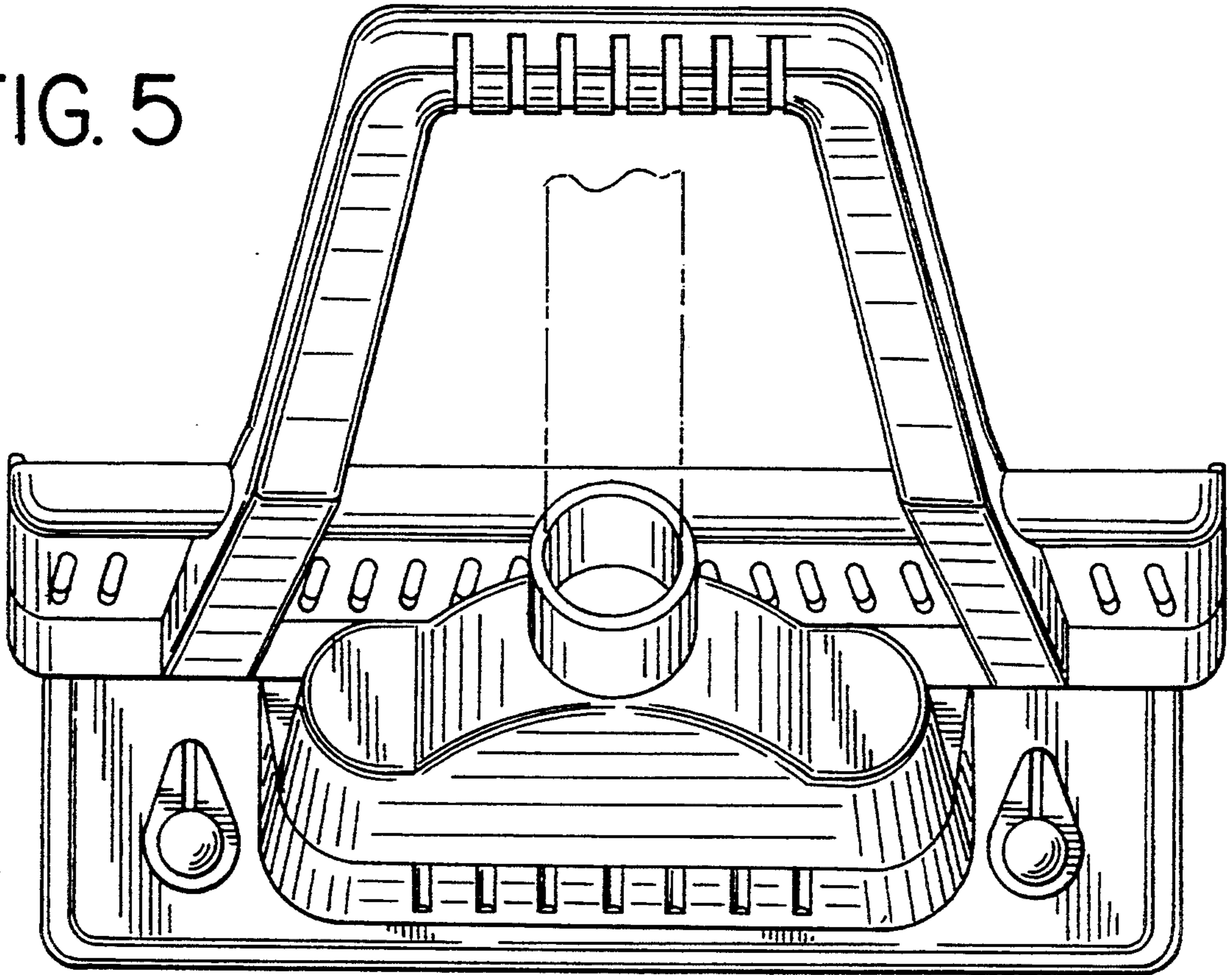


FIG. 6