



US00D358242S

United States Patent [19]

[11] Patent Number: **Des. 358,242**

McKnight

[45] Date of Patent: **** May 9, 1995**

[54] **VACUUM CLEANER NOZZLE**

[75] Inventor: **Darwin T. McKnight**, Louisville, Ohio

[73] Assignee: **The Hoover Company**, North Canton, Ohio

[**] Term: **14 Years**

[21] Appl. No.: **5,893**

[22] Filed: **Mar. 15, 1993**

[52] U.S. Cl. **D32/32**

[58] Field of Search **D32/31-33, D32/22; 15/320-322, 415.1-416, 418-422.1**

D. 329,513 9/1992 Kieft et al. **D32/32**
 D. 343,483 1/1994 Hoshino **D32/31**
 3,253,295 5/1966 Waters **15/339**
 4,068,341 1/1978 Scott **15/339**
 4,392,271 7/1983 Sepke **15/339**

Primary Examiner—Ruth McInroy

[57] CLAIM

The ornamental design for a vacuum cleaner nozzle, as shown and described.

DESCRIPTION

FIG. 1 is a top plan view of a vacuum cleaner nozzle showing my new design;
 FIG. 2 is a front elevational view thereof;
 FIG. 3 is a left side elevational view thereof, the right side being a mirror image;
 FIG. 4 is a rear elevational view thereof;
 FIG. 5 is a bottom plan view thereof; and,
 FIG. 6 is a cross-sectional view taken along line 6—6 in FIG. 1.

[56] **References Cited**

U.S. PATENT DOCUMENTS

D. 262,708 1/1982 Essex **D32/32**
 D. 326,006 5/1992 Moine **D32/32**
 D. 326,938 6/1992 Burns **D32/32**
 D. 329,512 9/1992 McKnight et al. **D32/32**

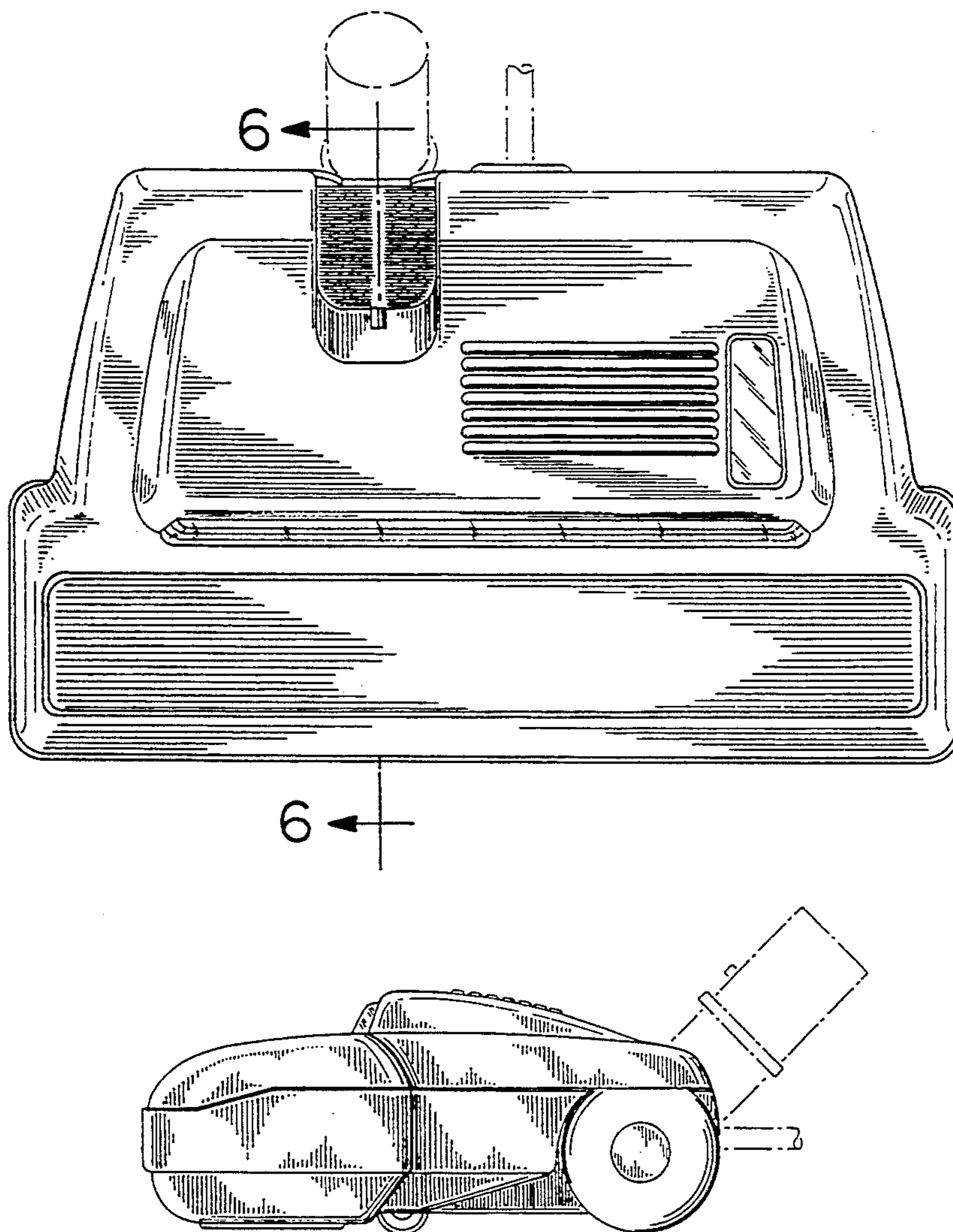


FIG.-1

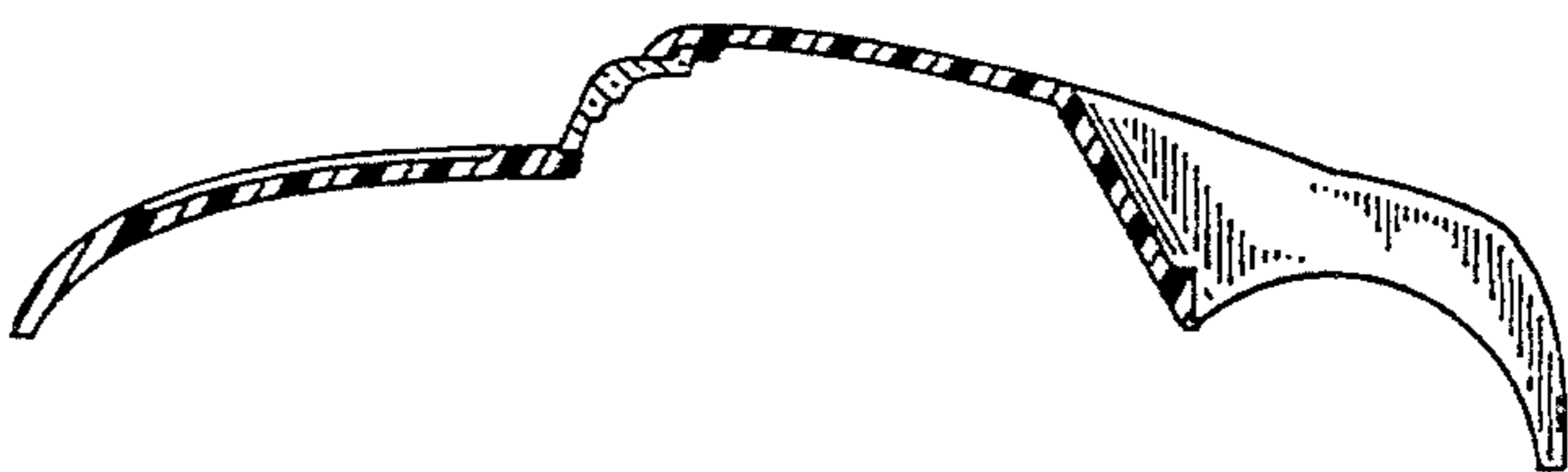
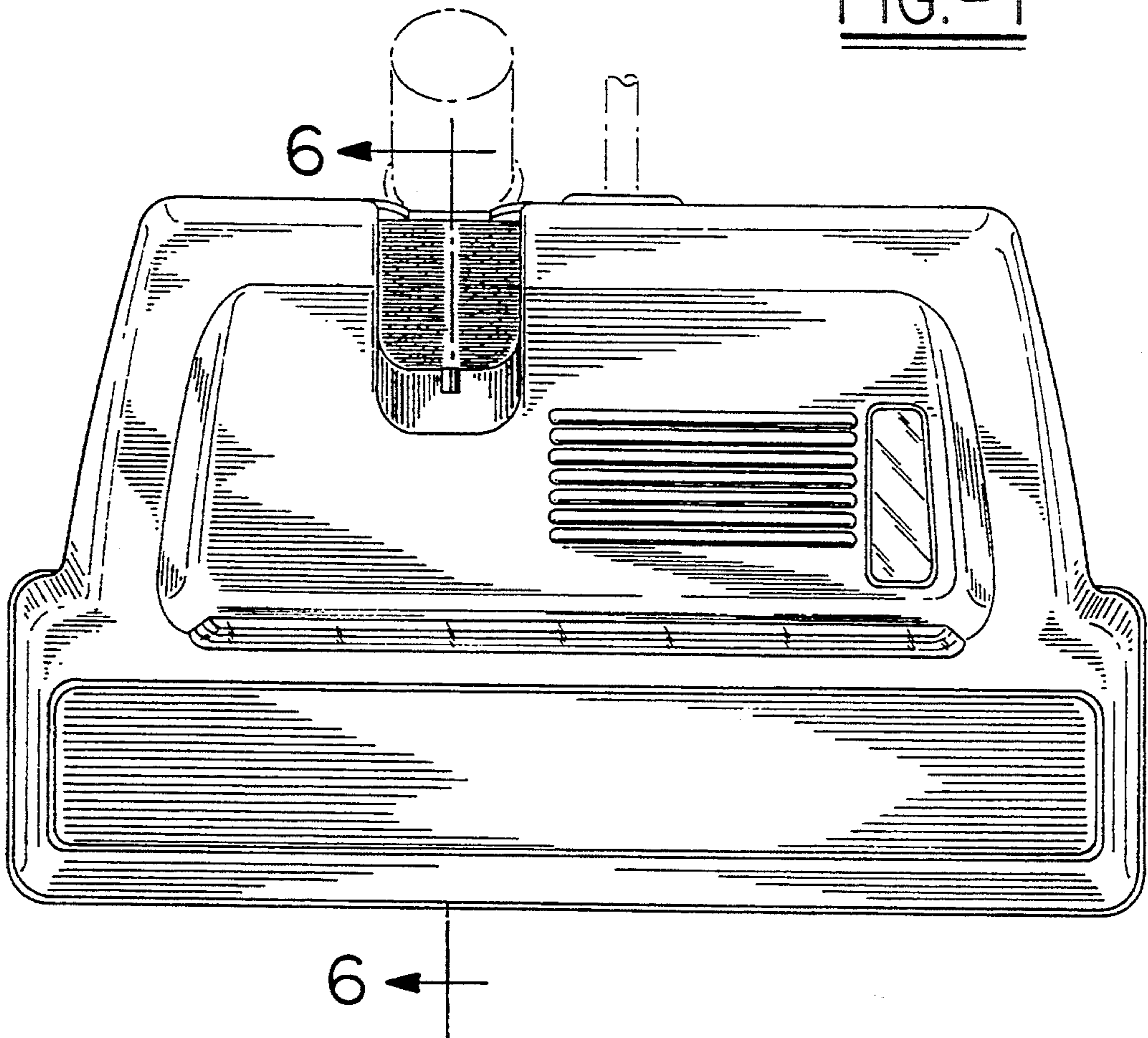


FIG.-6

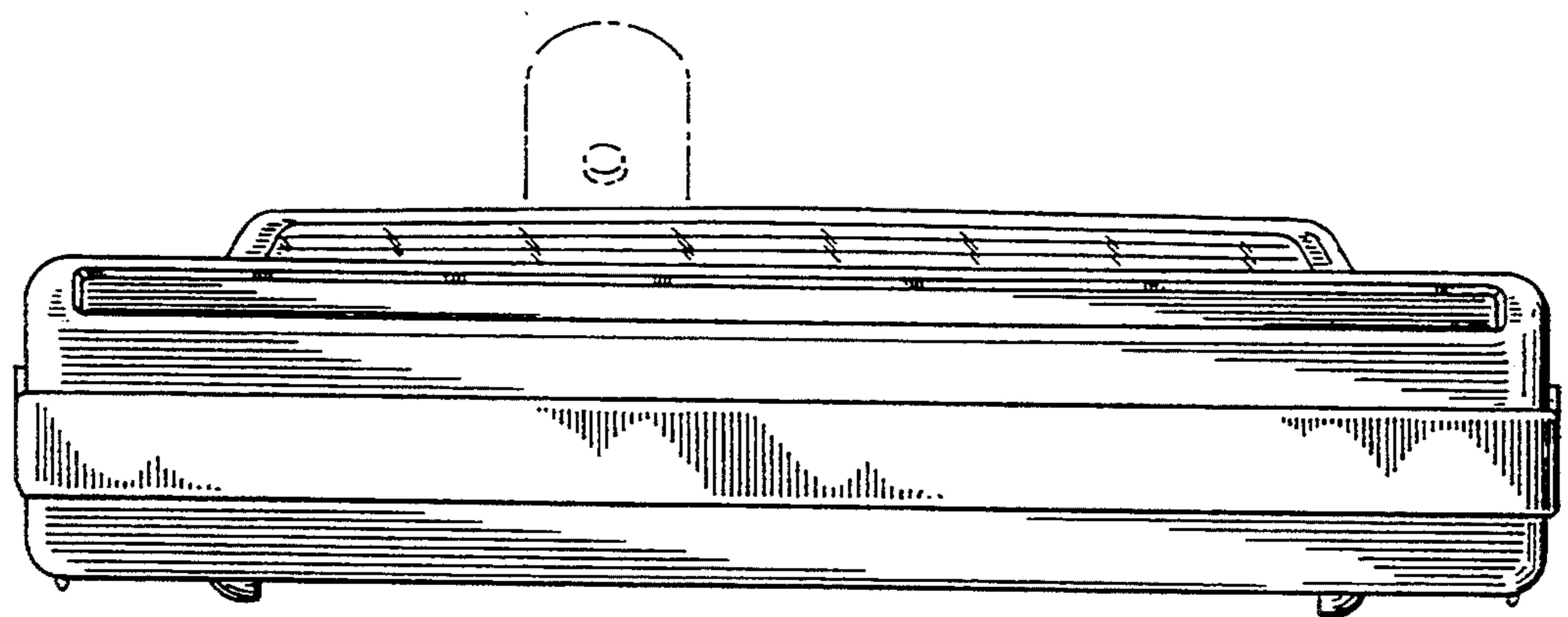


FIG.-2

FIG.-3

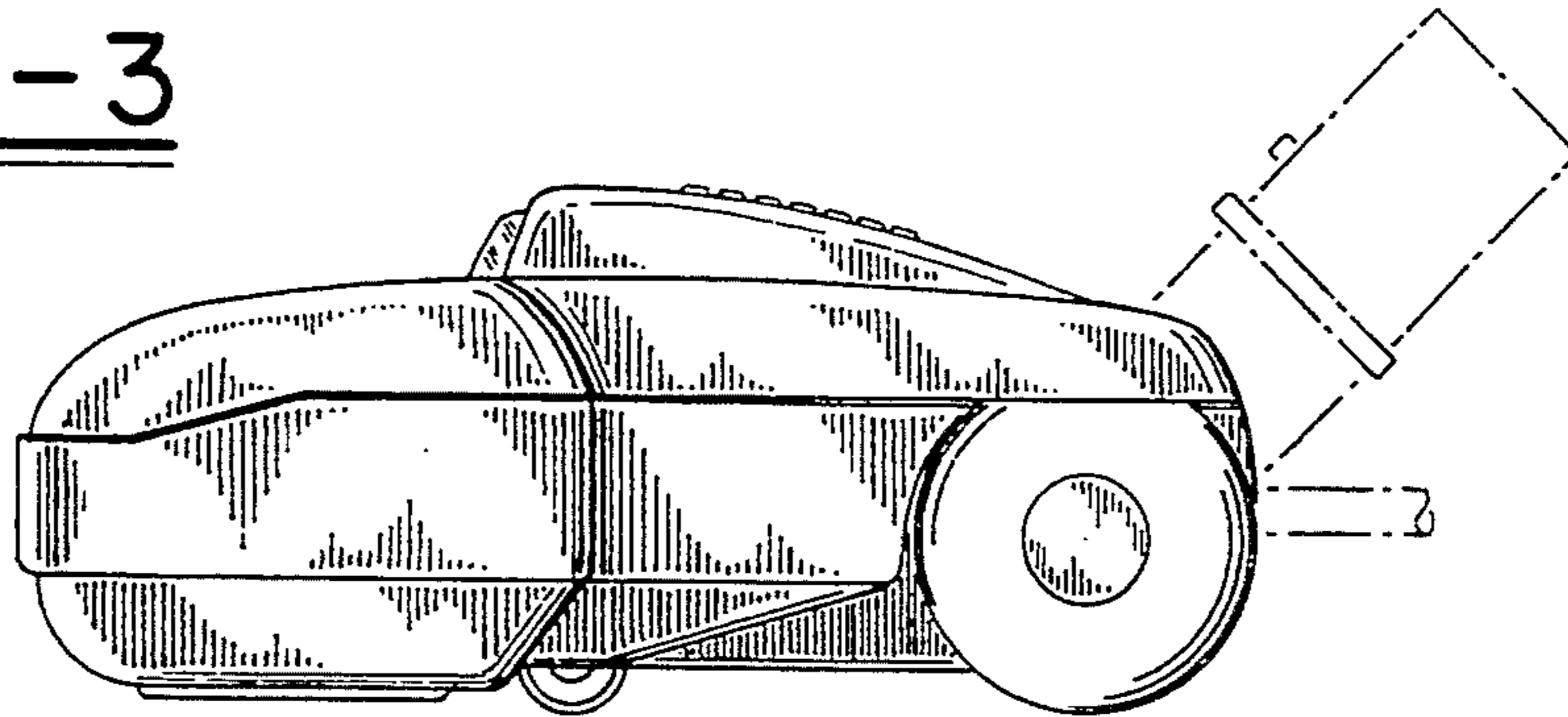


FIG.-4

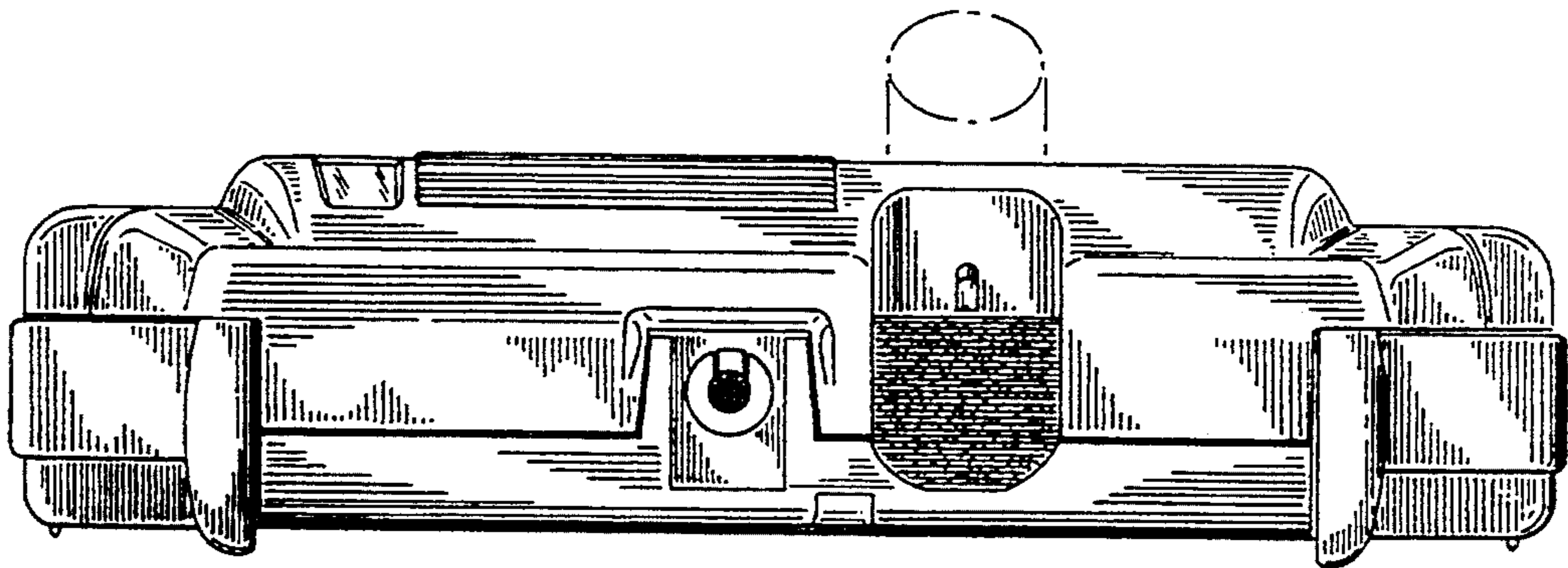


FIG.-5

