



US00D358241S

United States Patent [19]

[11] Patent Number: **Des. 358,241**

Bradd

[45] Date of Patent: **** May 9, 1995**

[54] **CARPET EXTRACTOR**

[75] Inventor: **Sidney H. Bradd, Solon, Ohio**

[73] Assignee: **The Hoover Company, North Canton, Ohio**

[**] Term: **14 Years**

[21] Appl. No.: **5,972**

[22] Filed: **Feb. 5, 1993**

[52] U.S. Cl. **D32/22**

[58] Field of Search **D32/21, 22, 31-34; 15/323-326, 331-337, 347, 350-351, 361, 377, 412, 413, 415.1**

| | | | | |
|------------|---------|-----------------|-------|--------|
| D. 305,269 | 12/1989 | Dyson | | D32/22 |
| D. 305,373 | 1/1990 | Yamamoto et al. | | D32/22 |
| D. 306,087 | 2/1990 | Woodhall et al. | | D32/22 |
| D. 309,203 | 6/1990 | Goodrich | | D32/21 |
| D. 343,707 | 1/1994 | Dyson | | D32/22 |
| D. 345,830 | 4/1994 | Furcron et al. | | D32/22 |
| D. 346,247 | 4/1994 | Furcron et al. | | D32/22 |
| D. 346,467 | 4/1994 | Furcron et al. | | D32/22 |

Primary Examiner—Ruth McInroy

[57] **CLAIM**

The ornamental design for a carpet extractor, as shown and described.

DESCRIPTION

FIG. 1 is a left side elevational view of a carpet extractor showing my new design, the opposite side being a mirror image;

FIG. 2 is a front elevational view thereof;

FIG. 3 is a rear elevational view thereof; and,

FIG. 4 is a top plan view thereof.

The undisclosed bottom is unornamented.

[56] **References Cited**

U.S. PATENT DOCUMENTS

| | | | | |
|------------|--------|----------------|-------|--------|
| D. 211,109 | 5/1968 | Gantz | | D37/4 |
| D. 220,969 | 6/1971 | Rawson et al. | | D15/7 |
| D. 287,894 | 1/1987 | Watkins et al. | | D32/22 |
| D. 288,016 | 1/1987 | Watkins et al. | | D32/22 |

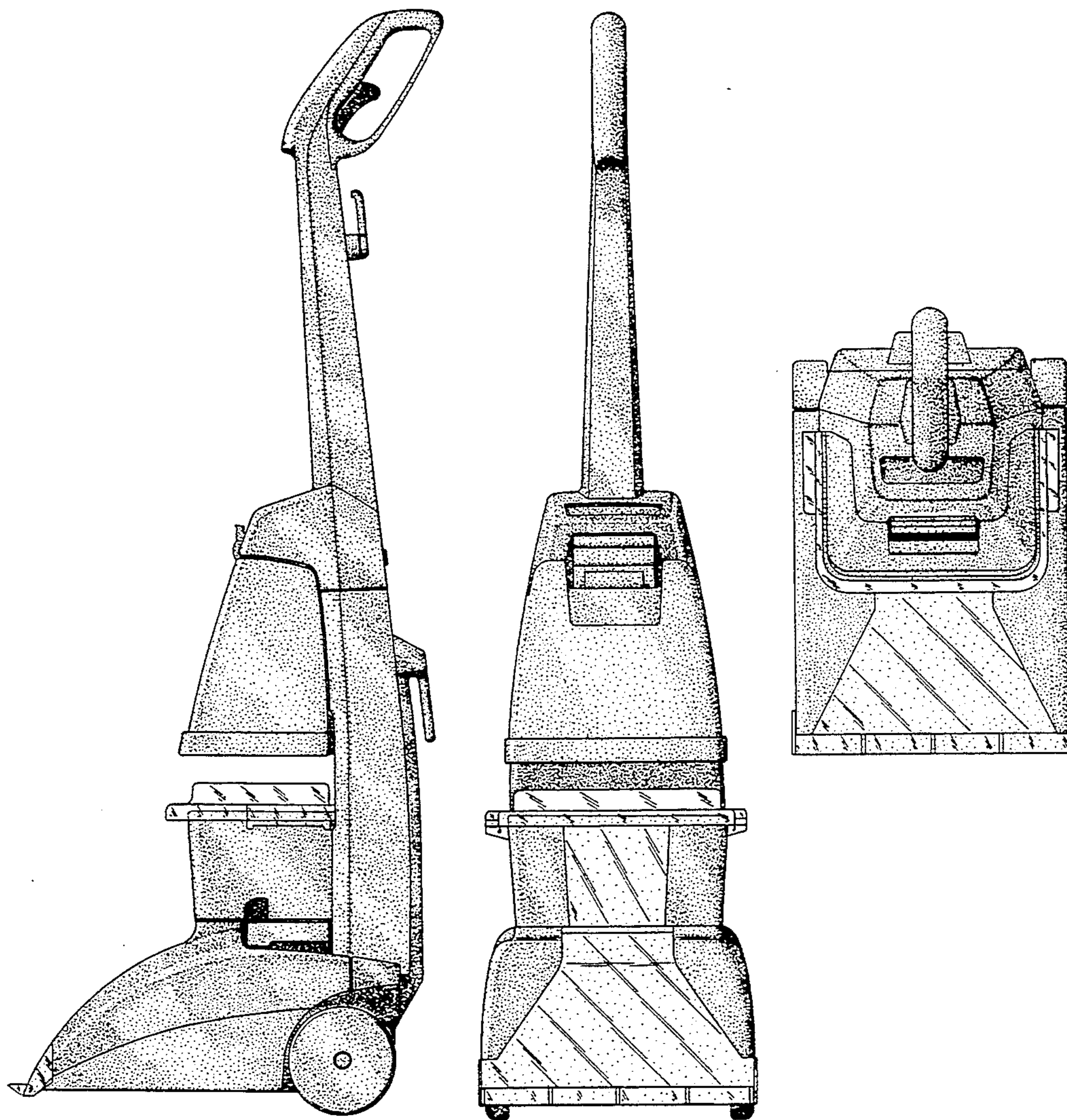


FIG. - 1

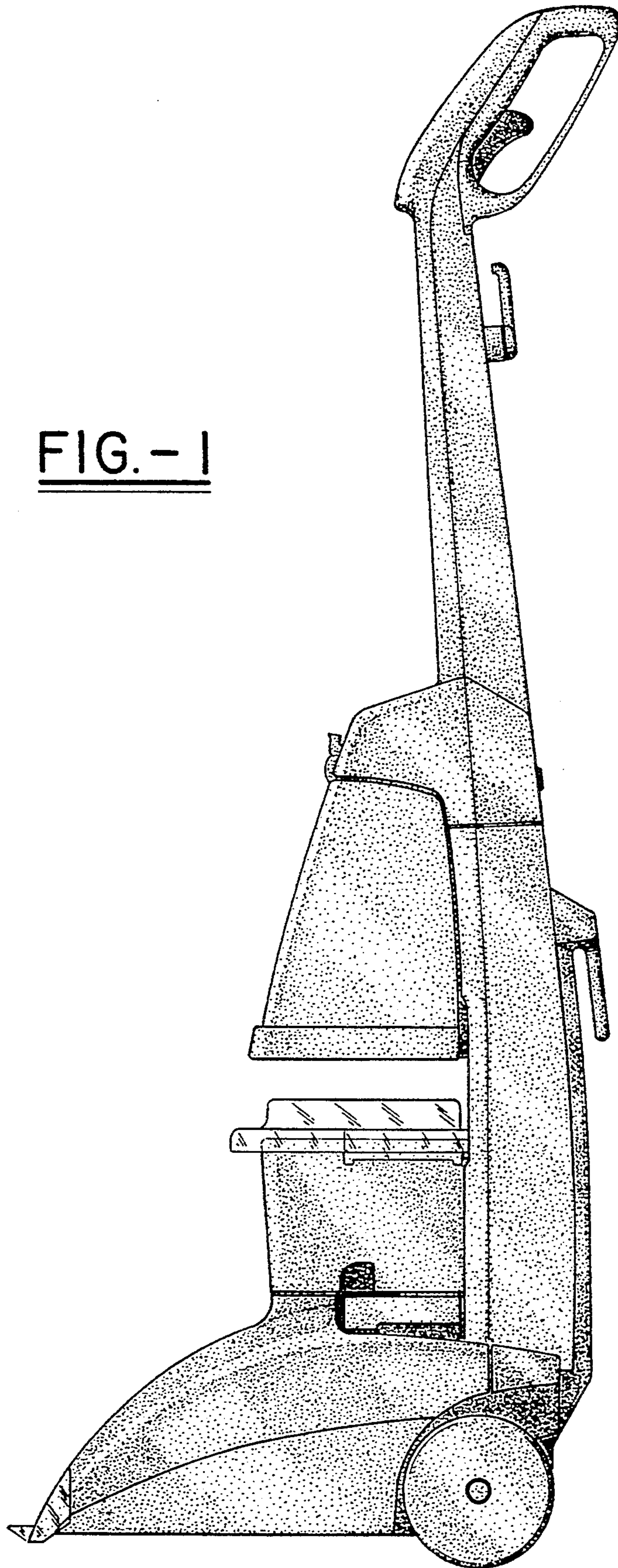
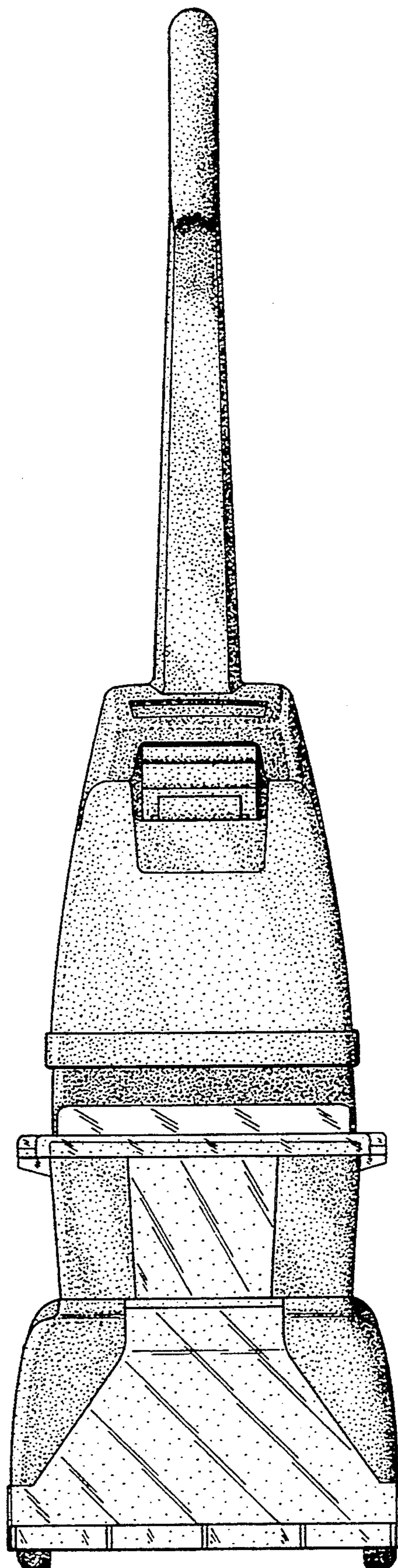


FIG.-2



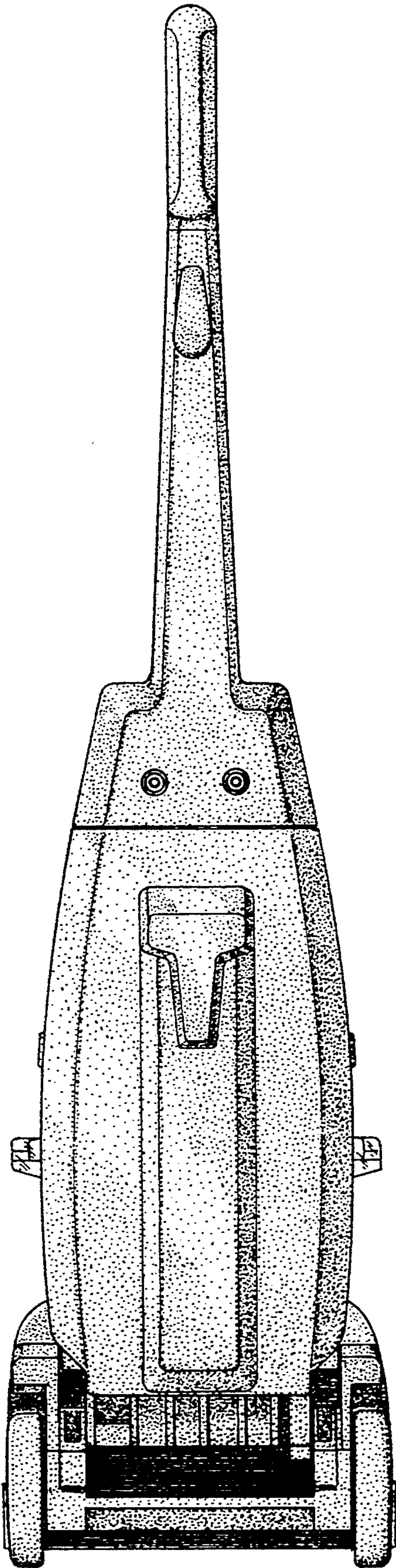


FIG.-3

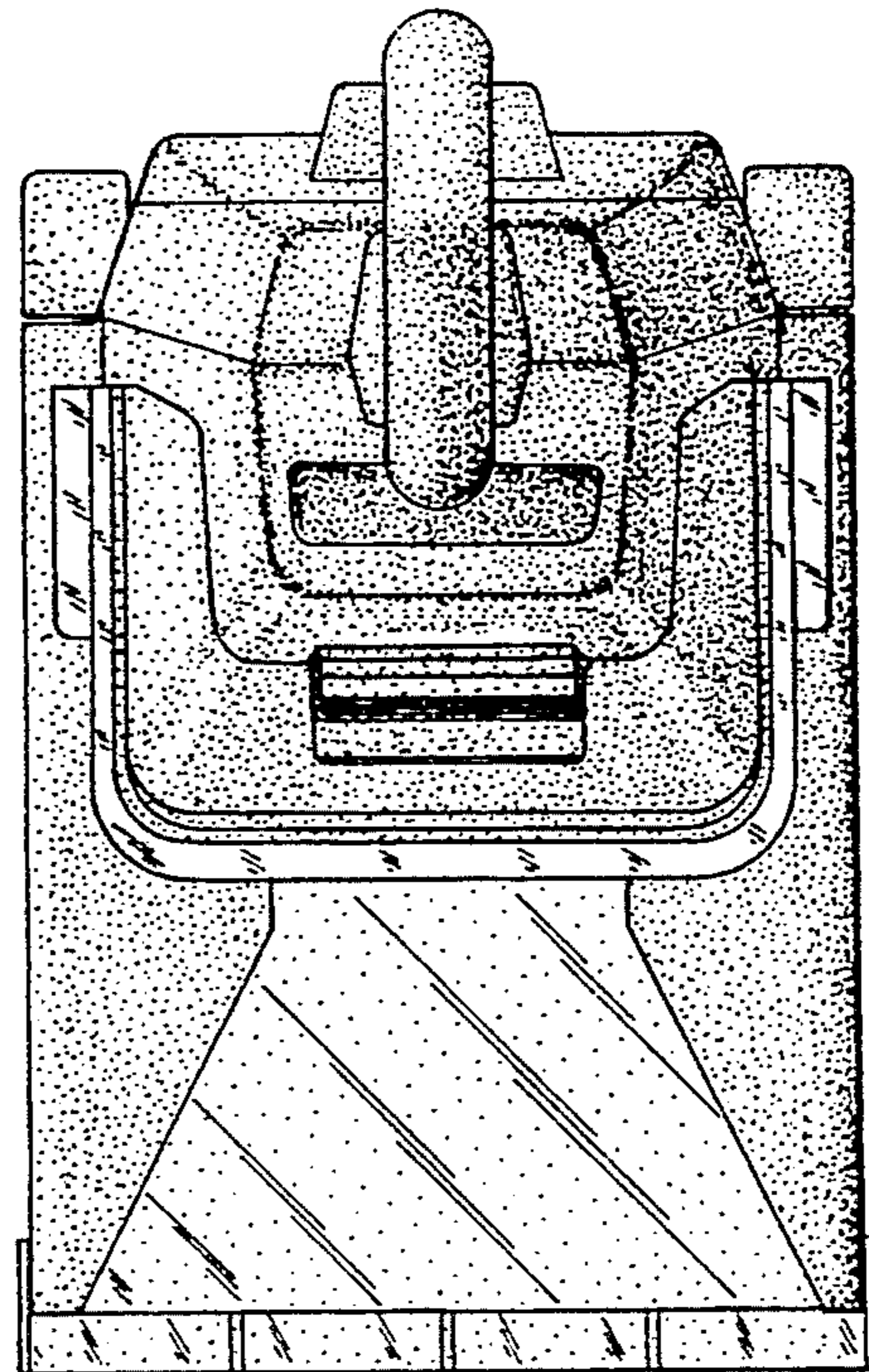


FIG.-4