



US00D358237S

United States Patent [19]

[11] Patent Number: **Des. 358,237**

Kasprzak

[45] Date of Patent: **** May 9, 1995**

[54] **AUTOMOTIVE ADHESIVE EMBLEM REMOVER**

D. 232,301 8/1974 O'Donnell D8/98
D. 289,254 4/1987 Brown D8/98
4,779,301 10/1988 Millette 30/169 X

[76] Inventor: **Dennis Kasprzak**, 25311 Loretta, Warren, Mich. 48091

Primary Examiner—Wallace R. Burke
Assistant Examiner—Lavone D. Tabor
Attorney, Agent, or Firm—John G. Chupa

[**] Term: **14 Years**

[57] **CLAIM**

[21] Appl. No.: **784,814**

The ornamental design for an automotive adhesive emblem remover, as shown and described.

[22] Filed: **Oct. 29, 1991**

[52] U.S. Cl. **D32/46**

[58] Field of Search **D32/40-41, D32/46, 48; 15/236.01, 236.02; 30/162, 164.9, 169, 329, 335, 337, 339; D8/98-99**

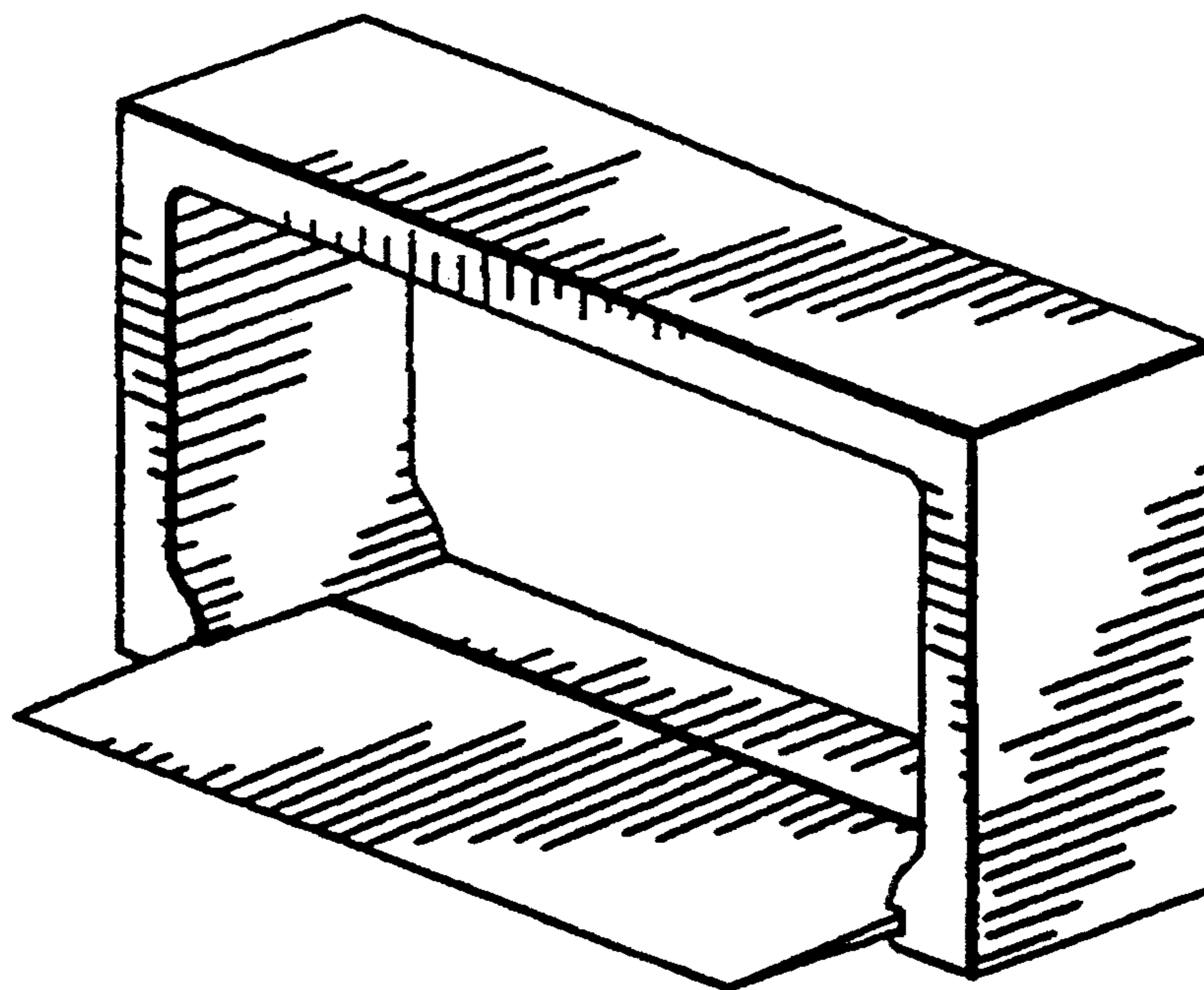
DESCRIPTION

FIG. 1 is a front perspective view of my design for an automotive adhesive emblem remover;
FIG. 2 is a top plan view thereof;
FIG. 3 is a rear elevational view thereof;
FIG. 4 is a right side view thereof which is identical to the left side view thereof; and,
FIG. 5 is a bottom plan view thereof.

[56] **References Cited**

U.S. PATENT DOCUMENTS

D. 19,979 7/1890 Spruill D32/46



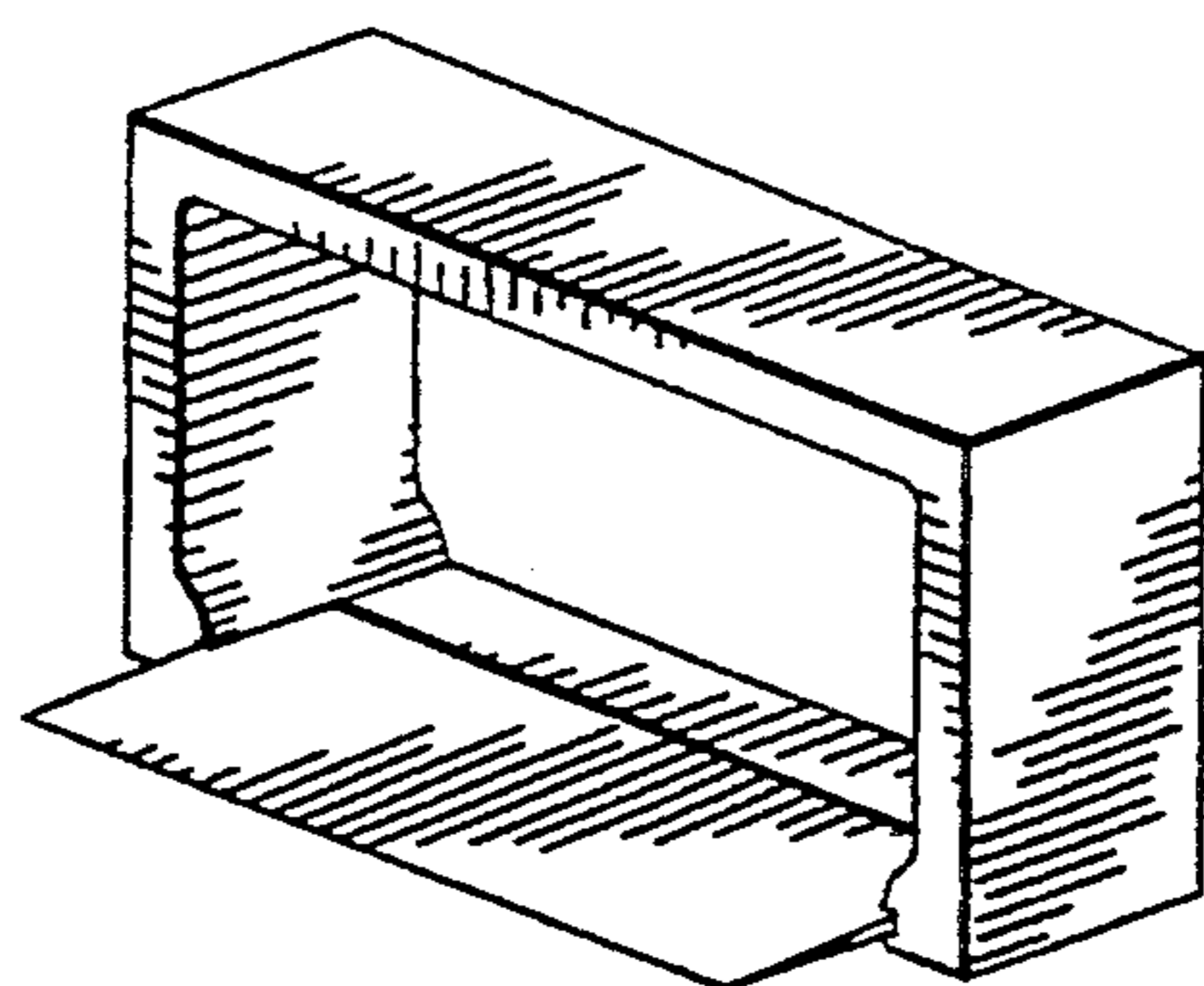


FIG. 1

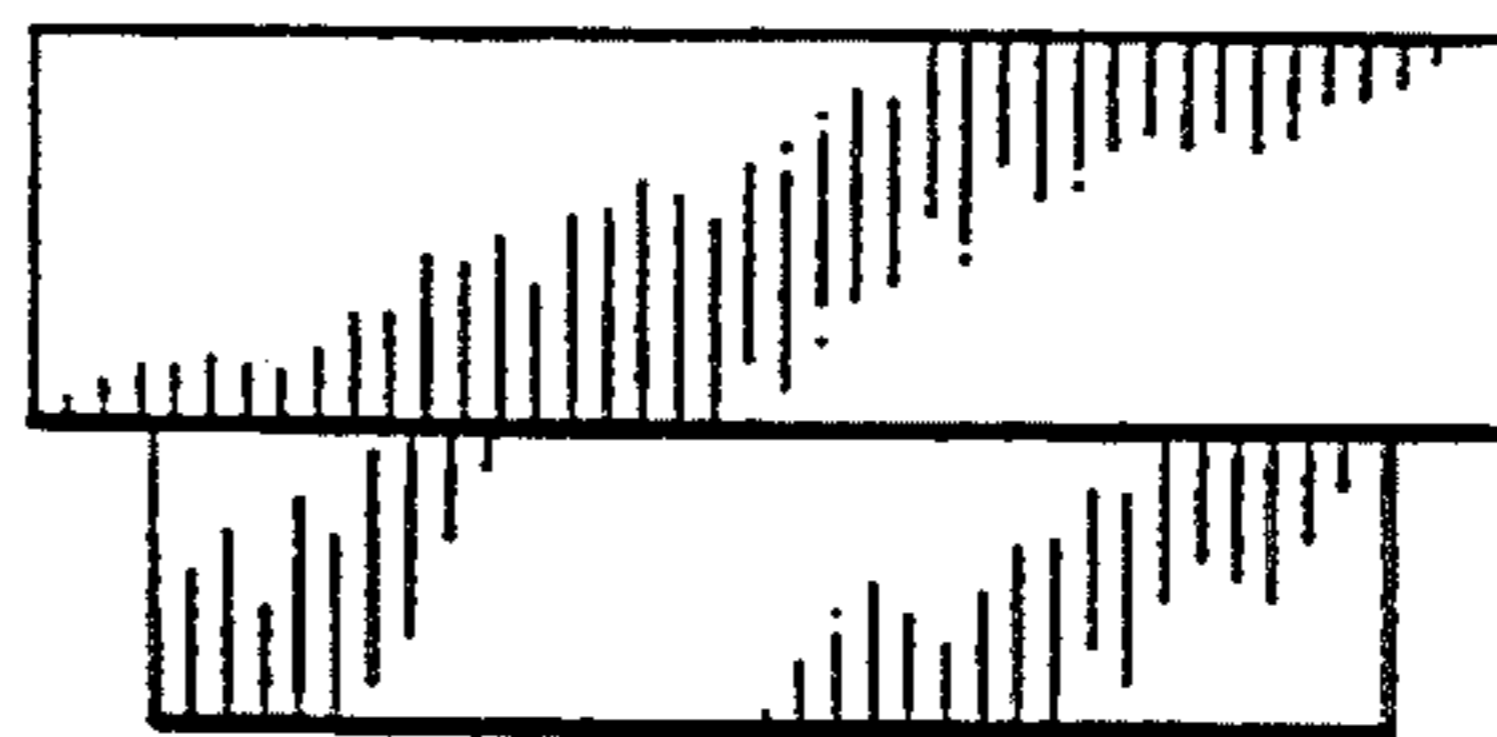


FIG. 2

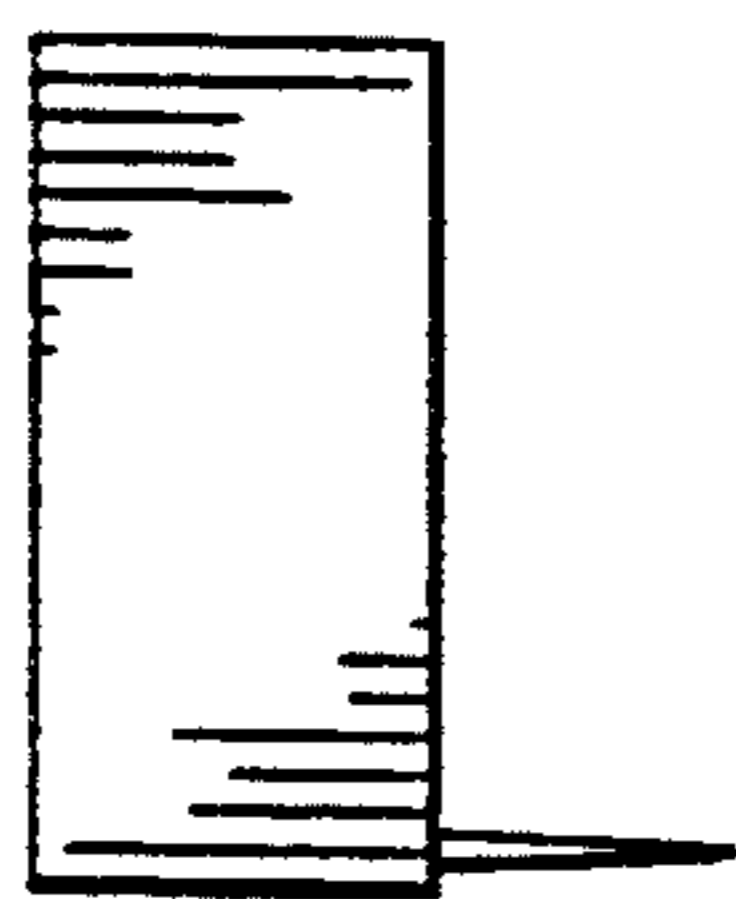


FIG. 4

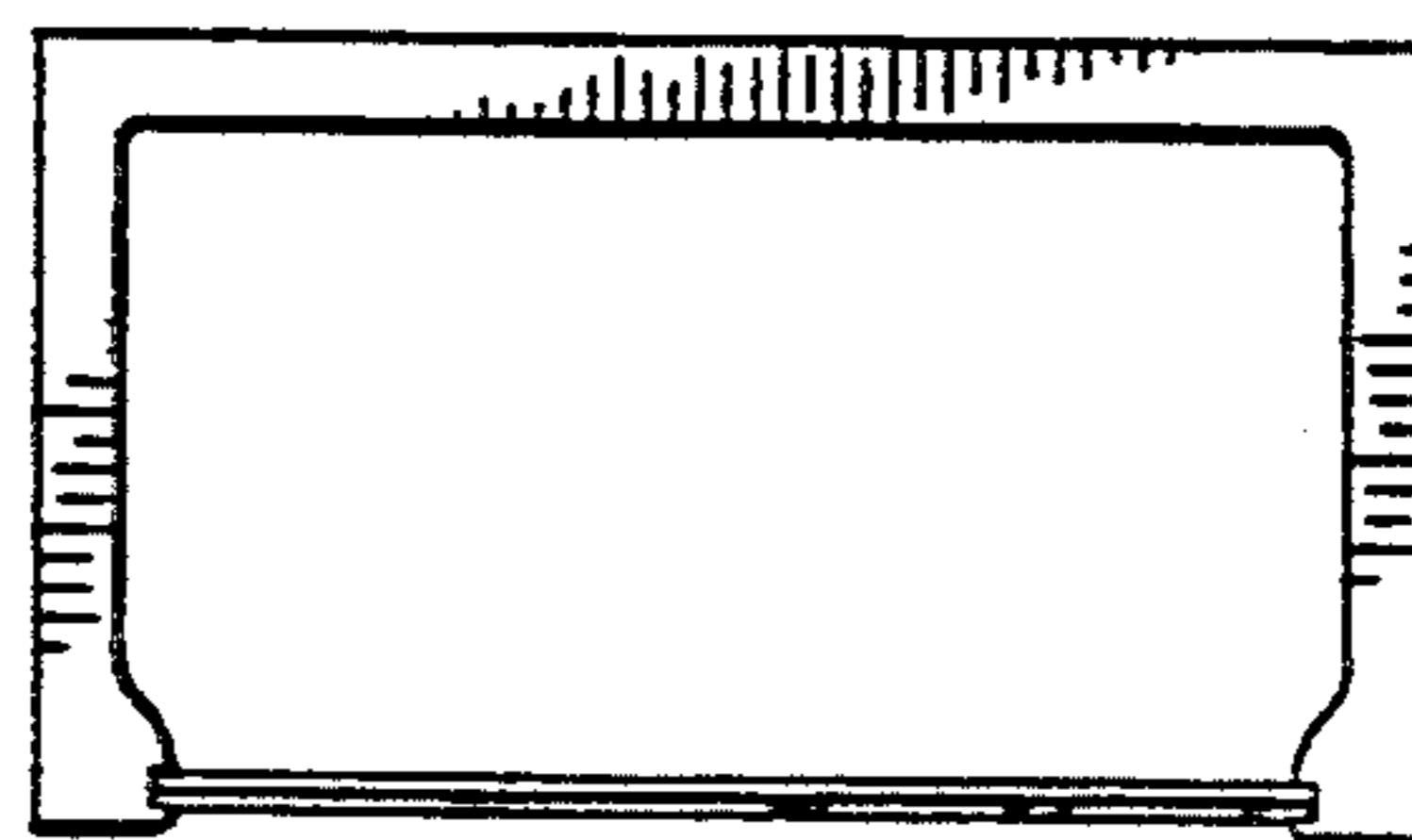


FIG. 3

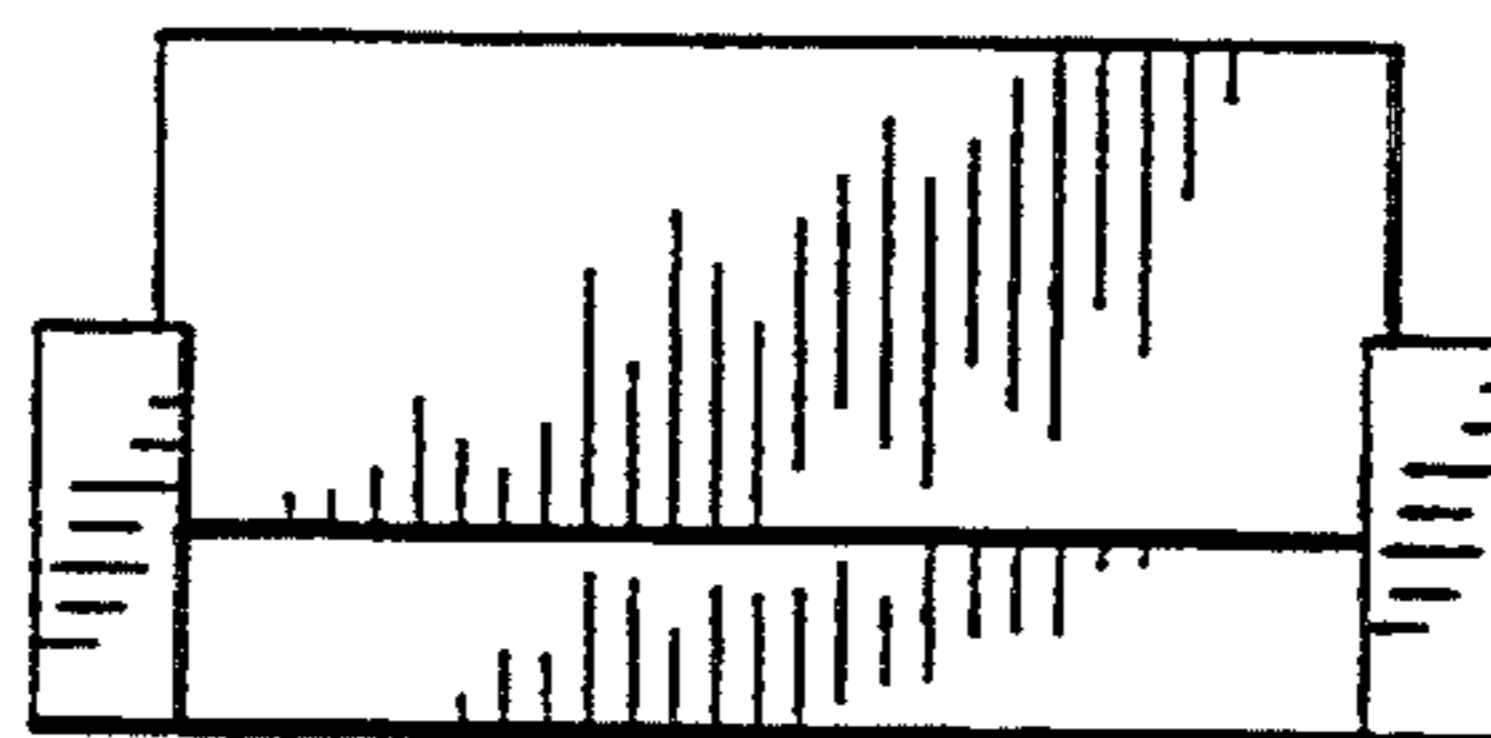


FIG. 5