



US00D358236S

United States Patent [19]

Kopco et al.

[11] Patent Number: **Des. 358,236**

[45] Date of Patent: **** May 9, 1995**

[54] VACUUM CLEANER

[75] Inventors: **James J. Kopco**,
Mentor-on-the-Lake; **Craig M. Saunders**,
Rocky River; **Richard C. Farone**,
Wickliffe; **Jeffrey J. Malish**,
Willoughby; **Michael E. Ksiezyk**,
Garfield Height, all of Ohio

[73] Assignee: **Royal Appliance Mfg. Co.**,
Cleveland, Ohio

[**] Term: **14 Years**

[21] Appl. No.: **3,482**

[22] Filed: **Jan. 8, 1993**

[52] U.S. Cl. **D32/22**

[58] Field of Search **D32/21, 22, 31-34;**
15/323-326, 331-336, 337, 347, 350-351, 361,
377, 412, 413, 415.1

[56]

References Cited

U.S. PATENT DOCUMENTS

D. 260,900	9/1981	Kao	D32/22
D. 263,235	3/1982	Akita	D32/22
D. 307,658	5/1990	Ikeda et al.	D32/22
D. 314,072	1/1991	Shinozaki et al.	D32/22
D. 314,847	2/1991	Shouji et al.	D32/22
D. 342,591	12/1993	Shoji et al.	D32/22
D. 347,500	5/1994	Abe et al.	D32/22

Primary Examiner—Ruth McInroy
Attorney, Agent, or Firm—Fay, Sharpe, Beall, Fagan,
Minnich & McKee

[57]

CLAIM

The ornamental design for a vacuum cleaner, as shown.

DESCRIPTION

FIG. 1 is a front elevational view of a vacuum cleaner showing our new design;
FIG. 2 is a left side elevational view thereof;
FIG. 3 is a right side elevational view thereof;
FIG. 4 is a rear elevational view thereof;
FIG. 5 is a top plan view thereof; and,
FIG. 6 is a bottom plan view thereof.

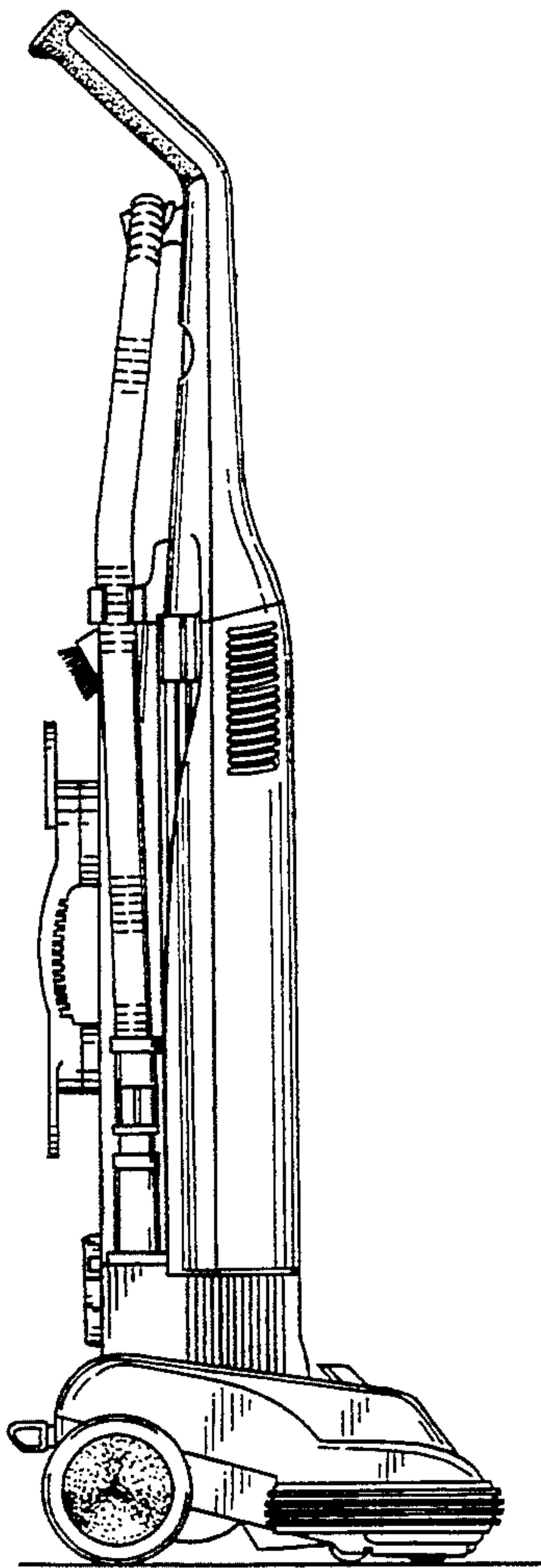
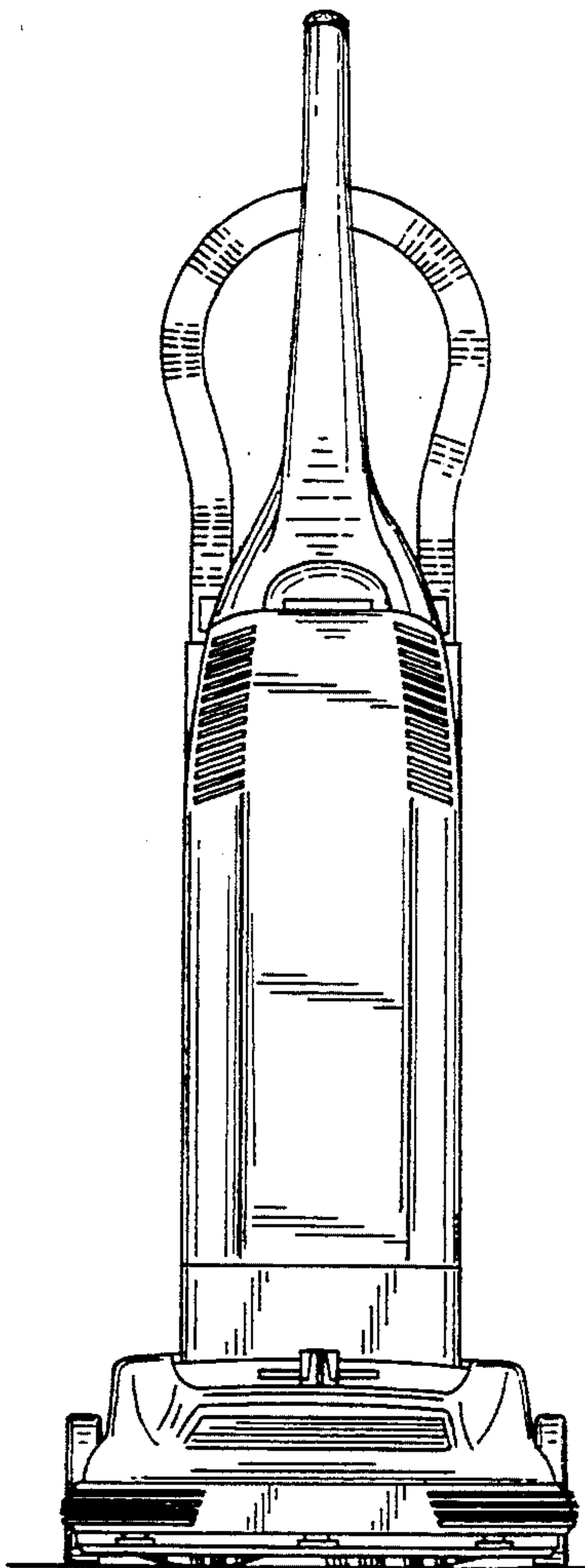


FIG. 1

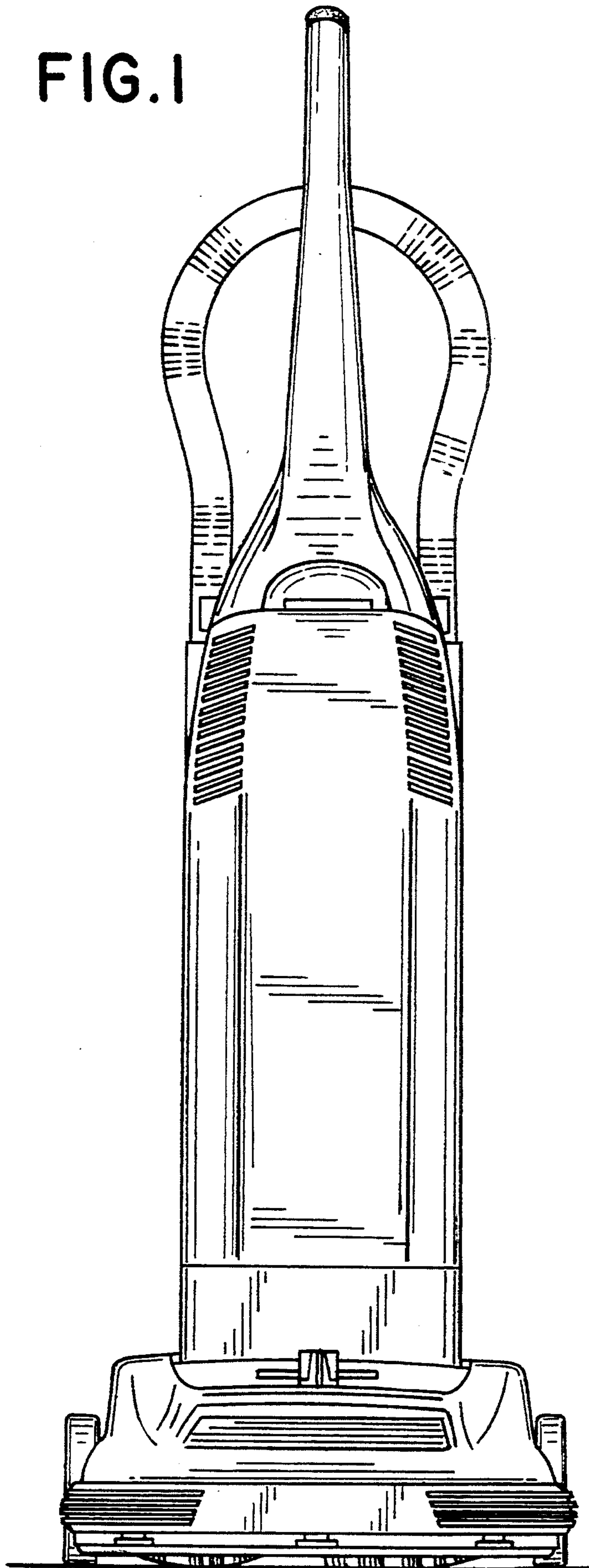


FIG. 2

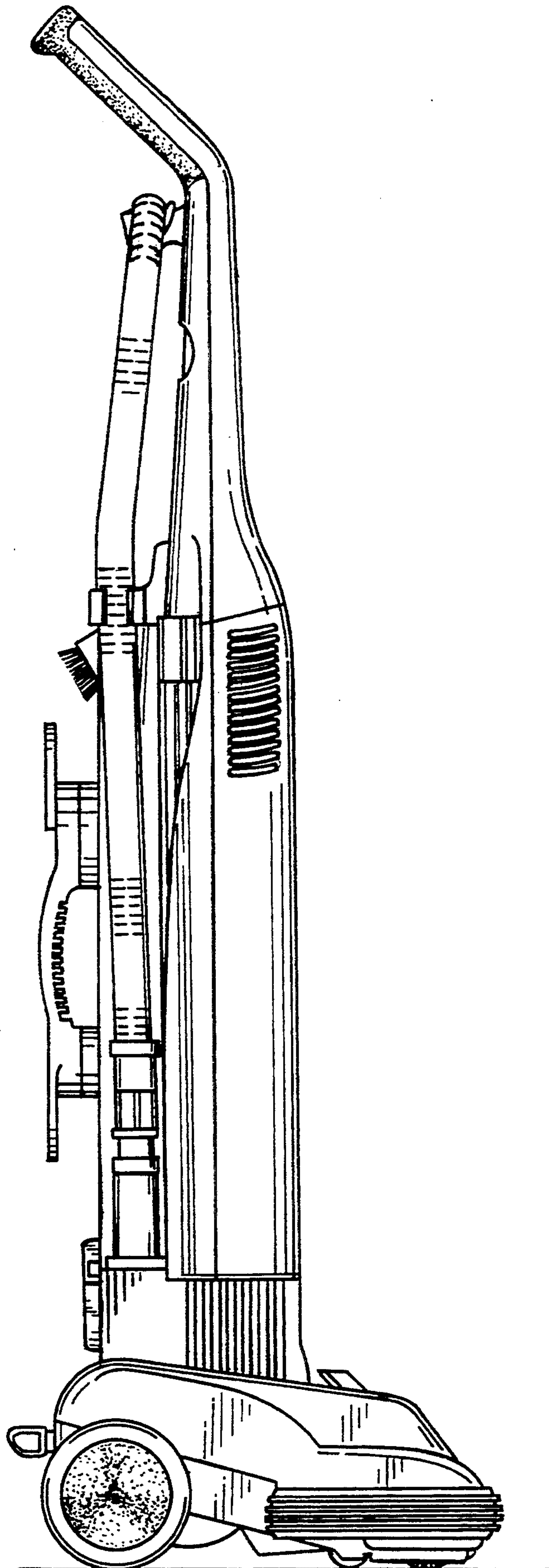


FIG. 3

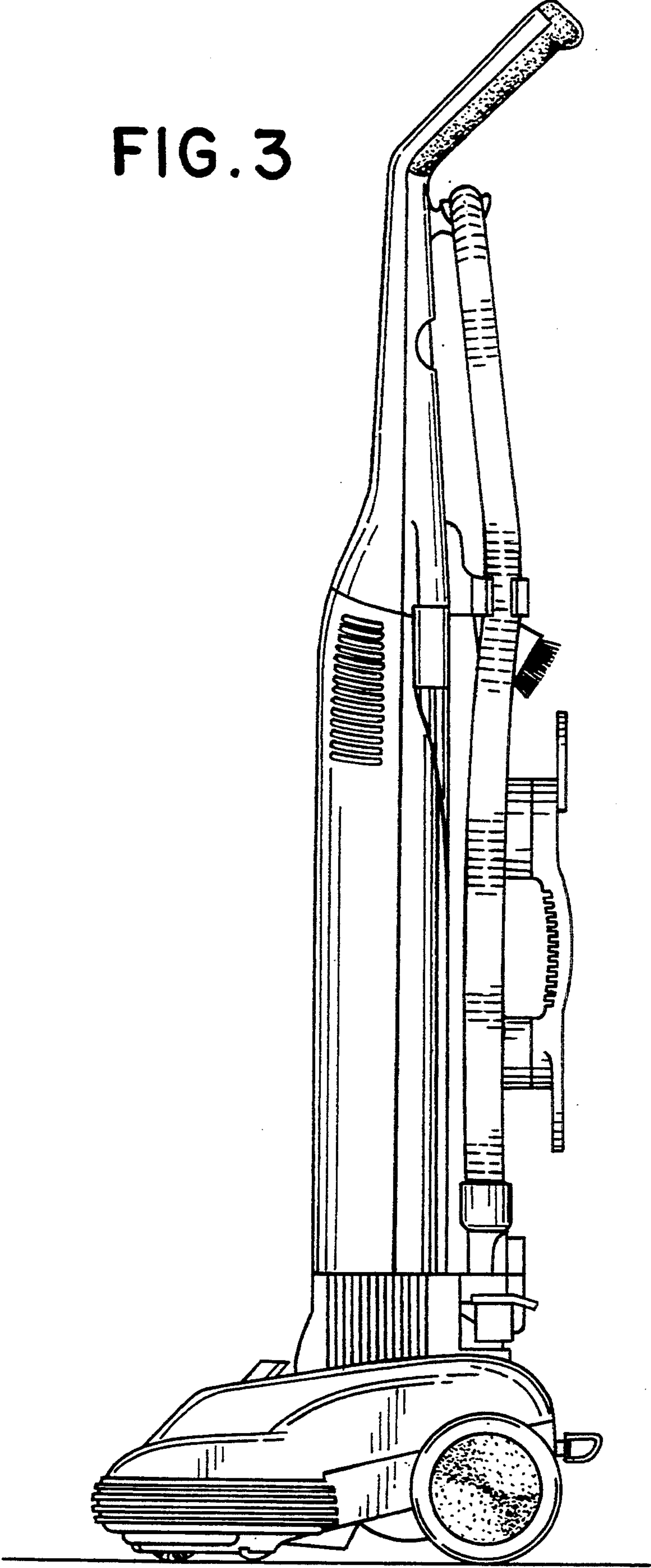


FIG. 4

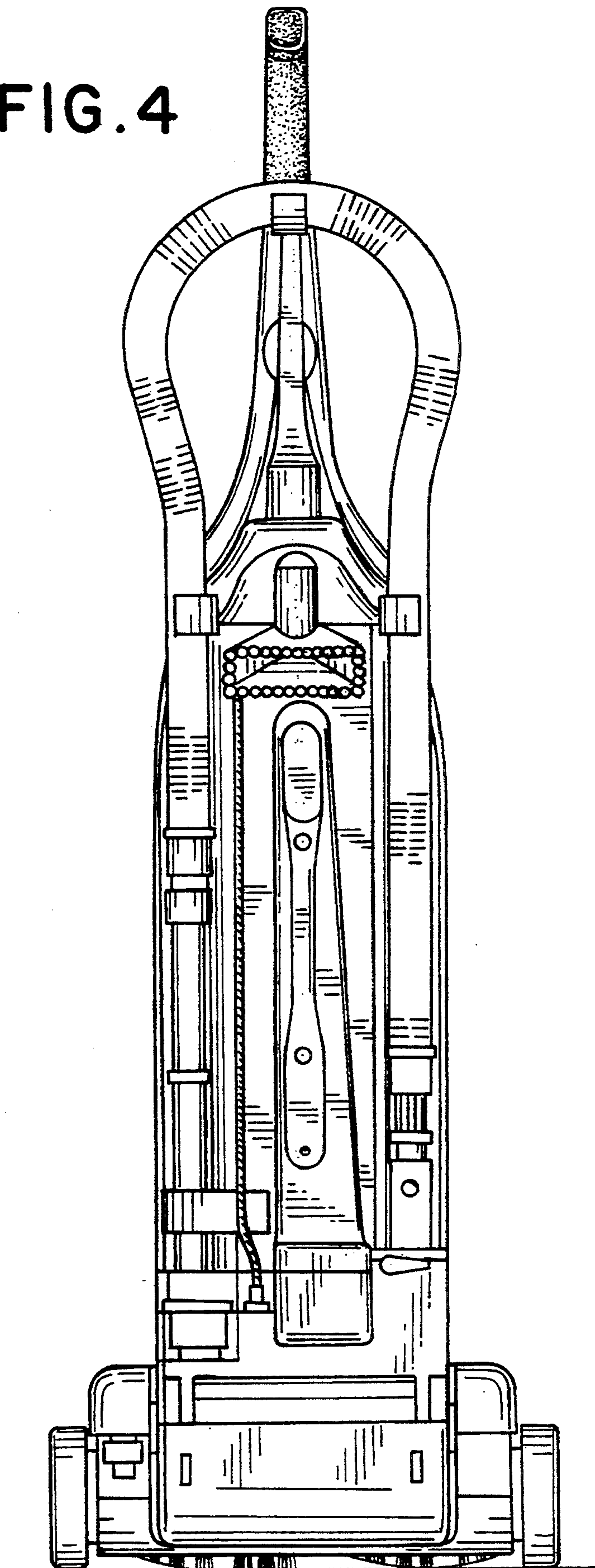


FIG. 5

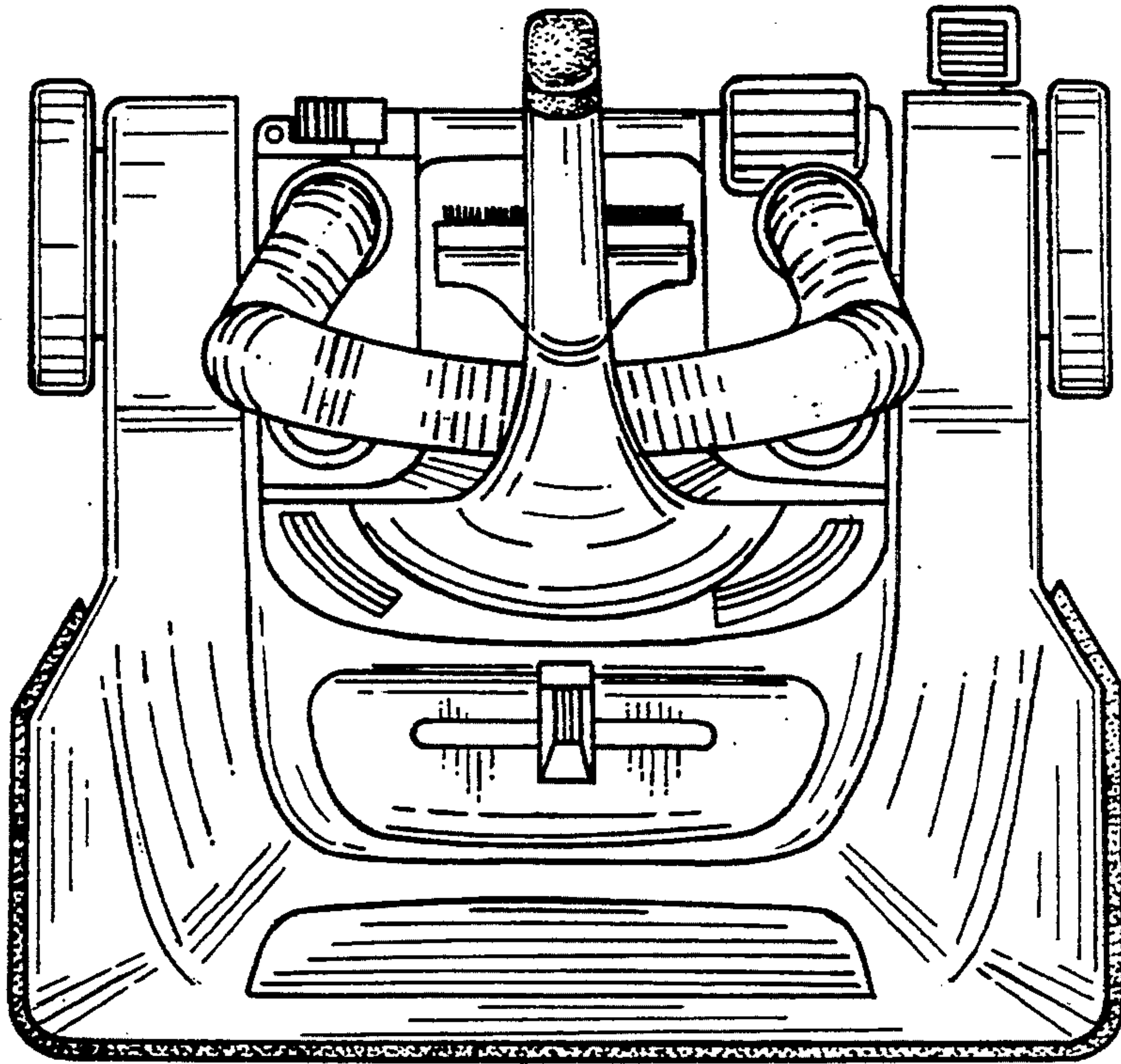


FIG. 6

