



US00D358235S

United States Patent [19]

[11] Patent Number: Des. 358,235

Brooks et al.

[45] Date of Patent: ** May 9, 1995

[54] AUTOMATIC SWIMMING POOL CLEANER

[75] Inventors: Gary L. Brooks, Lake Geneva, Wis.;
Christopher S. Labak, Chicago, Ill.

[73] Assignee: Sta-Rite Industries, Inc., Dalavan,
Wis.

[**] Term: 14 Years

[21] Appl. No.: 15,003

[22] Filed: Nov. 3, 1993

[52] U.S. Cl. D32/1

[58] Field of Search 15/1.7, 398-399,
15/400; D32/1, 15, 16, 32-33

[56] References Cited

U.S. PATENT DOCUMENTS

D. 325,796	4/1992	Kallenbach	D32/1
D. 346,888	5/1994	Stone	D32/1
938,089	10/1909	Svoboda et al.	15/398
3,790,979	2/1974	Foster	15/1.7
4,734,954	4/1988	Greskovics et al.	15/1.7
4,819,293	4/1989	Nicholson	15/1.7
4,837,886	6/1989	Rawlins	15/1.7
5,082,028	1/1992	Jean-Jacques	15/1.7
5,093,950	3/1992	Heier	15/1.7
5,285,547	2/1994	Sebor	15/1.7
5,337,433	8/1994	Gould et al.	15/1.7

FOREIGN PATENT DOCUMENTS

2462206	3/1981	France	15/1.7
2685374	6/1993	France	15/1.7
2529183	1/1976	Germany	15/1.7
0056252	5/1979	Japan	15/1.7
129011	8/1950	Switzerland	15/400
1199886	7/1970	United Kingdom	15/1.7

OTHER PUBLICATIONS

Popular Mechanics; Jun. 1993; p. 18; Wet-Vac Crud-buster.

Primary Examiner—Cathy Anne MacCormac

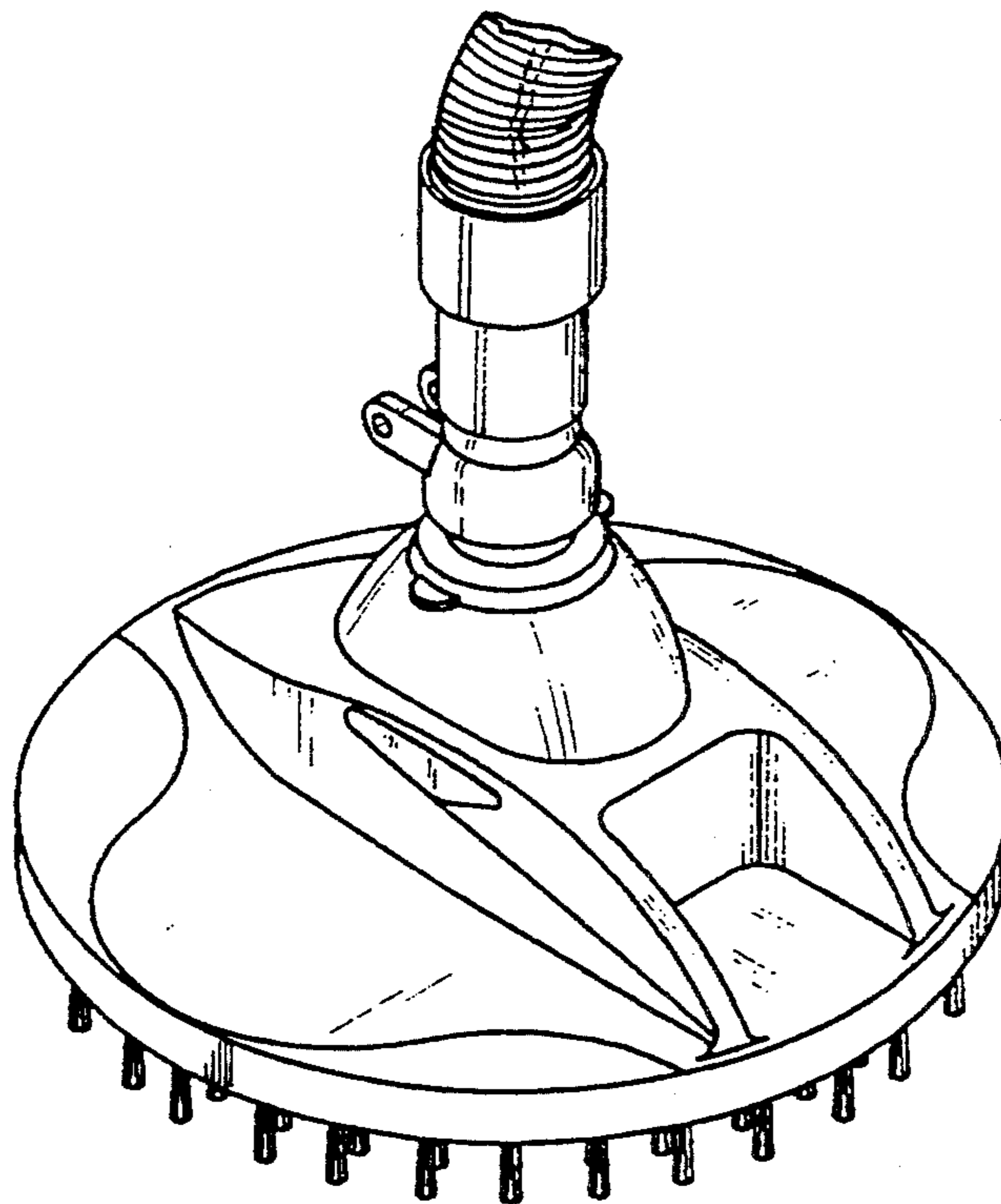
Attorney, Agent, or Firm—June C. Boesz

[57] CLAIM

The ornamental design for an automatic swimming pool cleaner, as shown.

DESCRIPTION

FIG. 1 is a perspective view of an automatic swimming pool cleaner in accordance with this invention; FIG. 2 is a front elevation of the device of FIG. 1; FIG. 3 is a rear elevation; FIG. 4 is a side elevation, the opposite side being a mirror image of the side shown; FIG. 5 is a top plan view; and, FIG. 6 is a bottom plan view.



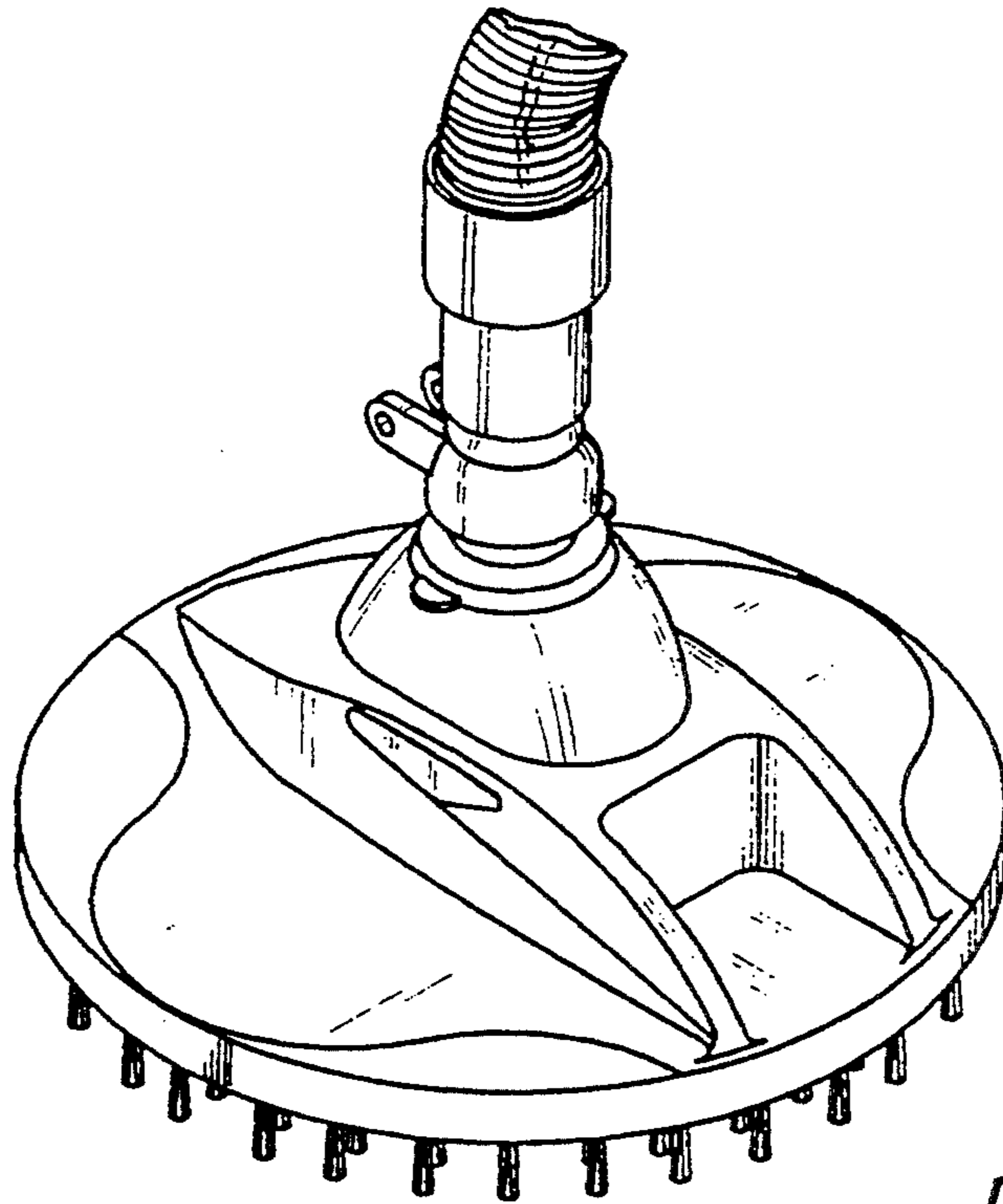


FIG. 1

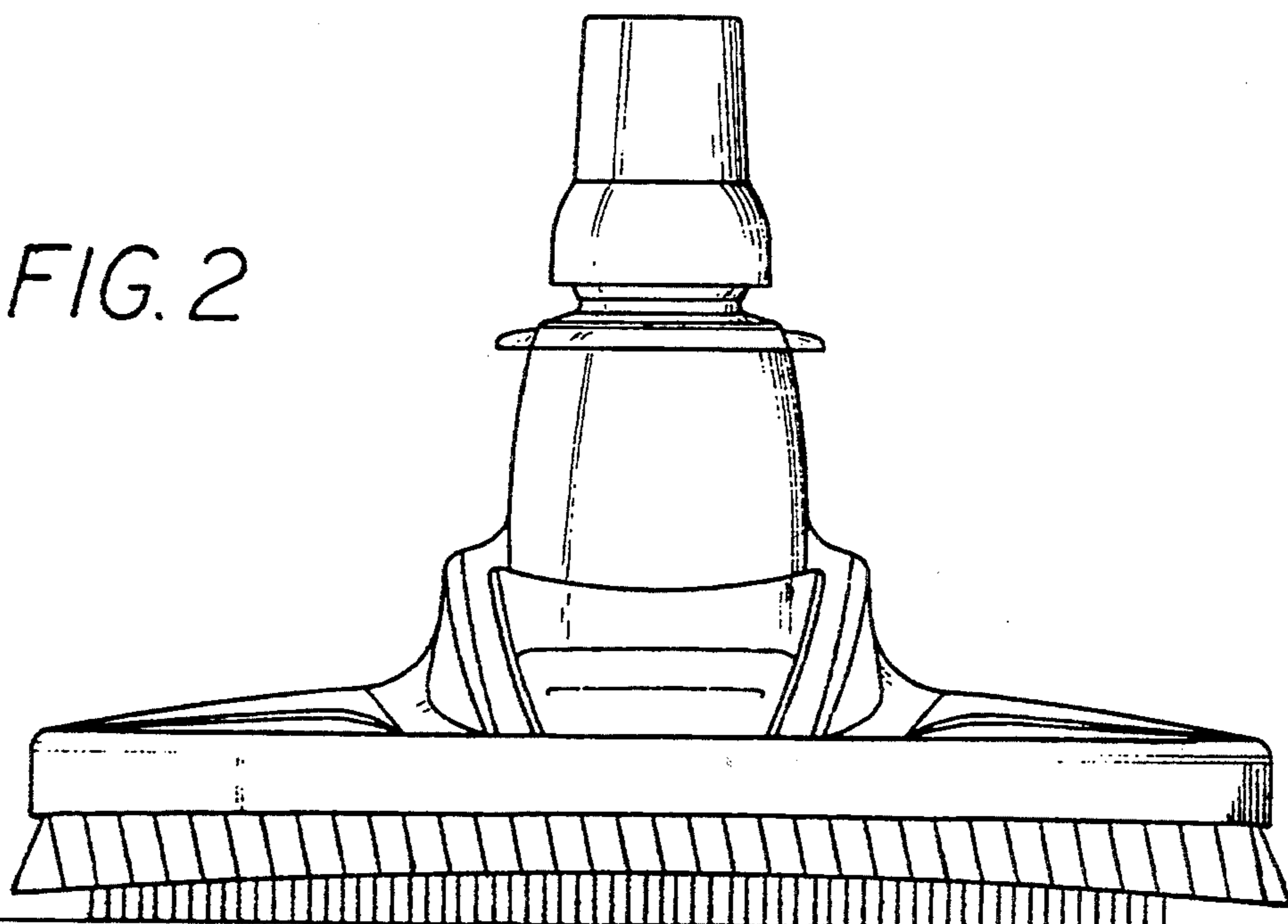


FIG. 2

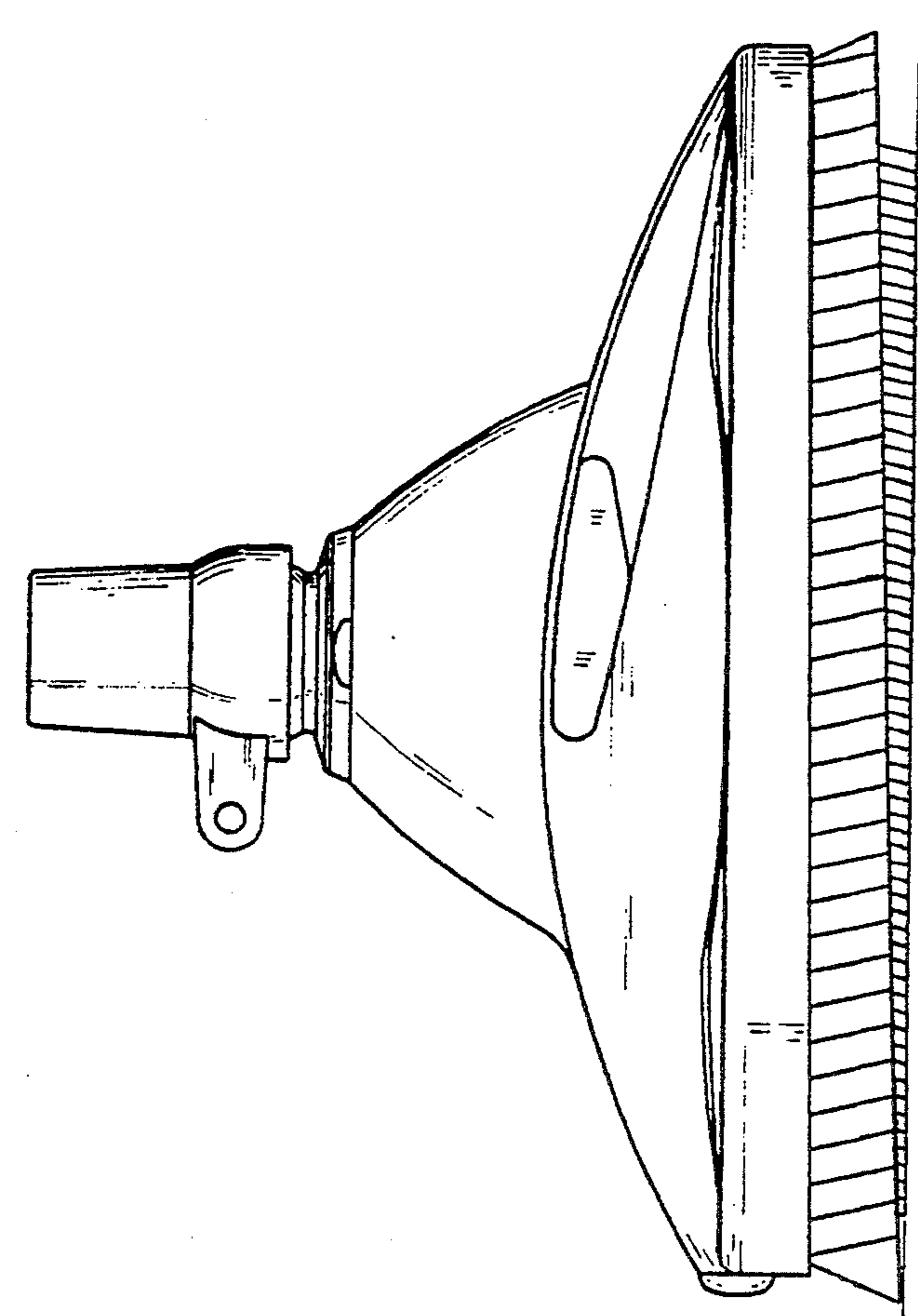


FIG. 3

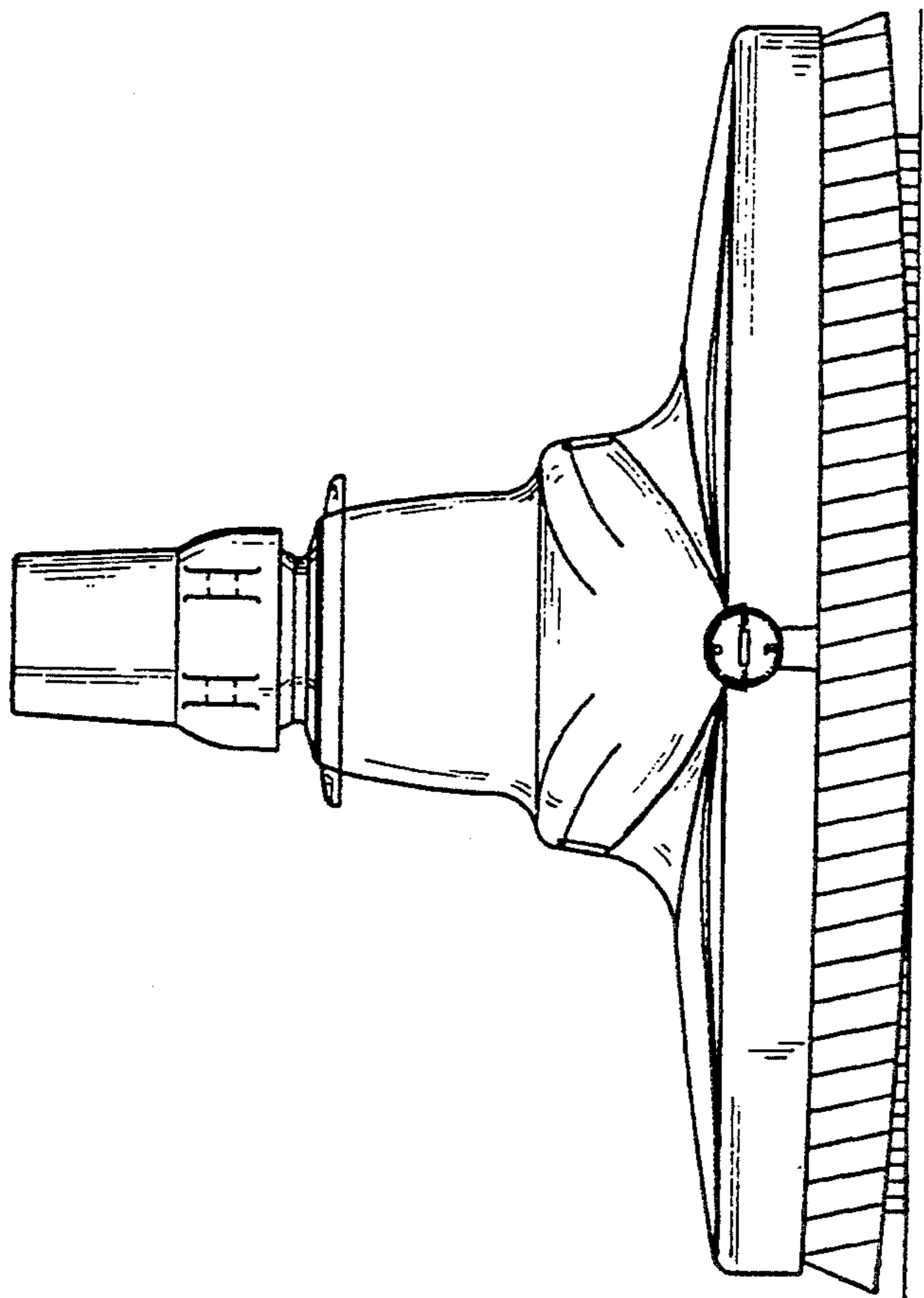


FIG. 4

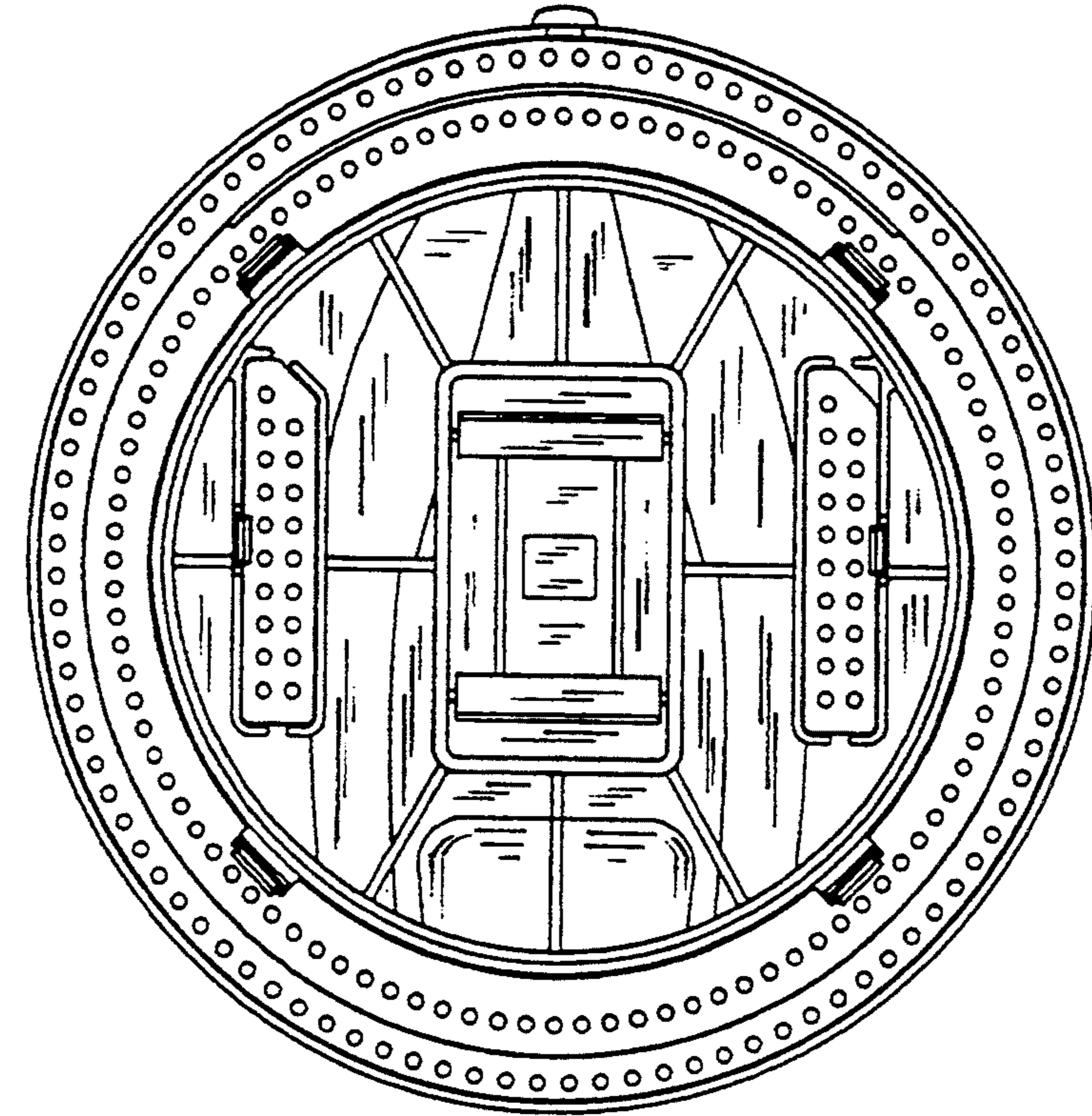


FIG. 5

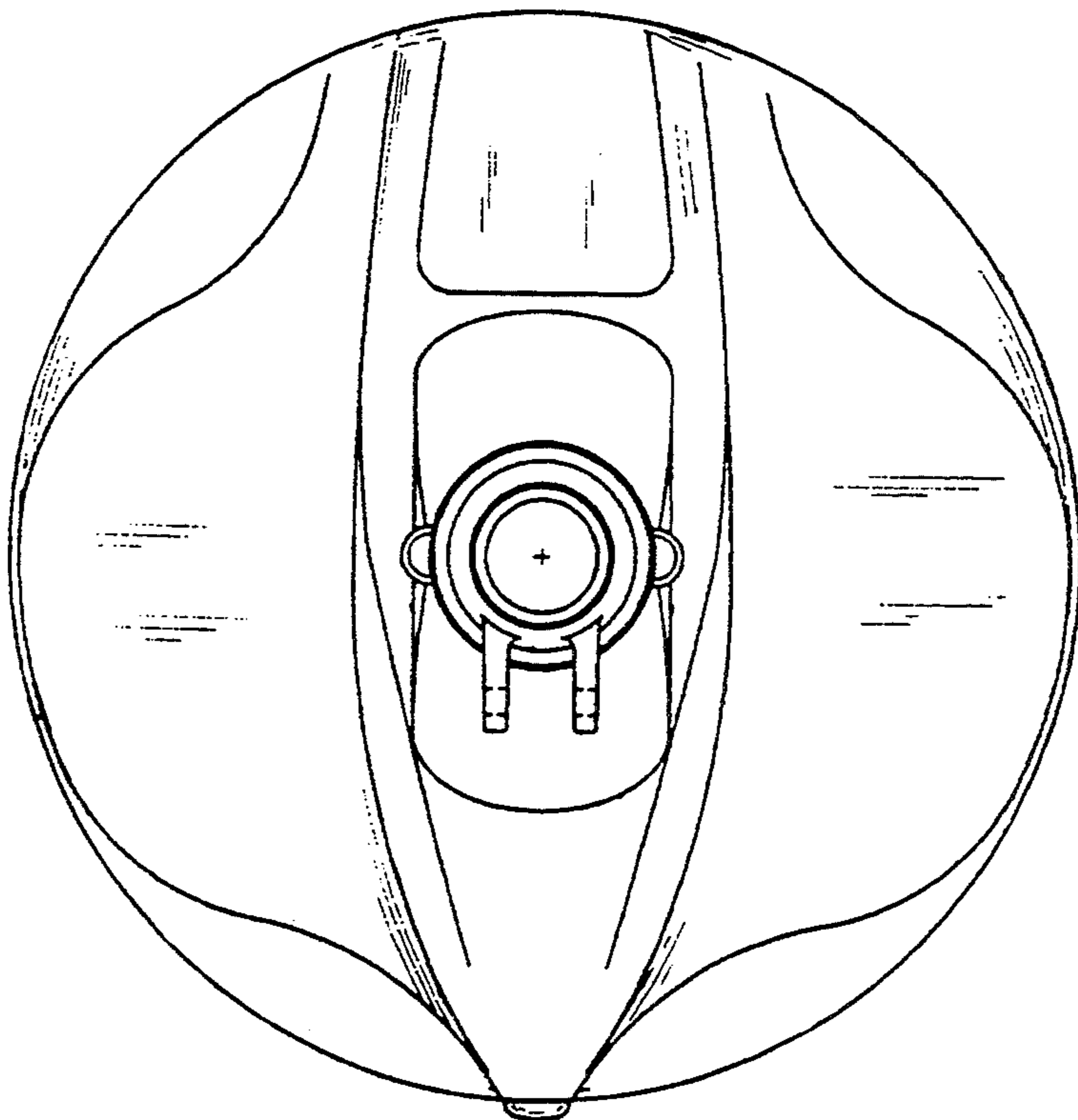


FIG. 6

UNITED STATES PATENT AND TRADEMARK OFFICE
CERTIFICATE OF CORRECTION

Page 1 of 7

PATENT NO. : Des. 358,235

DATED : May 9, 1995

INVENTOR(S) : Gary L. Brooks and Christopher S. Labak

It is certified that error appears in the above-identified patent and that said Letters Patent is hereby corrected as shown below:

On the Title page, in the "Assignee" section, change "Dalavan" to --Delavan--.

On the Title page, after "Attorney, Agent, or Firm-", change "June C. Boesz" to --Jansson & Shupe, Ltd.--.

Following the description of FIGURE 1, add --The broken lines in FIGURE 1 are for purposes of illustration only and form no part of the claimed design--.

Substitute the enclosed drawing sheets for FIGURES 1-5 for the drawing sheets appearing in the patent.

Signed and Sealed this
Seventh Day of May, 1996



BRUCE LEHMAN

Commissioner of Patents and Trademarks

Attest:

Attesting Officer

[54] AUTOMATIC SWIMMING POOL CLEANER

[75] Inventors: Gary L. Brooks, Lake Geneva, Wis.;
Christopher S. Labak, Chicago, Ill.

[73] Assignee: Sta-Rite Industries, Inc., Dalavan,
Wis.

[**] Term: 14 Years

[21] Appl. No.: 15,003

[22] Filed: Nov. 3, 1993

[52] U.S. Cl. D32/1

[58] Field of Search 15/1.7, 398-399,
15/400; D32/1, 15, 16, 32-33

[56] References Cited

U.S. PATENT DOCUMENTS

D. 325,796	4/1992	Kallenbach	D32/1
D. 346,888	5/1994	Stone	D32/1
938,089	10/1909	Svoboda et al.	15/398
3,790,979	2/1974	Foster	15/1.7
4,734,954	4/1988	Greskovics et al.	15/1.7
4,819,293	4/1989	Nicholson	15/1.7
4,837,886	6/1989	Rawlins	15/1.7
5,082,028	1/1992	Jean-Jacques	15/1.7
5,093,950	3/1992	Heier	15/1.7
5,285,547	2/1994	Sebor	15/1.7
5,337,433	8/1994	Gould et al.	15/1.7

FOREIGN PATENT DOCUMENTS

2462206	3/1981	France	15/1.7
2685374	6/1993	France	15/1.7
2529183	1/1976	Germany	15/1.7
0056252	5/1979	Japan	15/1.7
129011	8/1950	Switzerland	15/400
1199886	7/1970	United Kingdom	15/1.7

OTHER PUBLICATIONS

Popular Mechanics; Jun. 1993; p. 18; Wet-Vac Crud-buster.

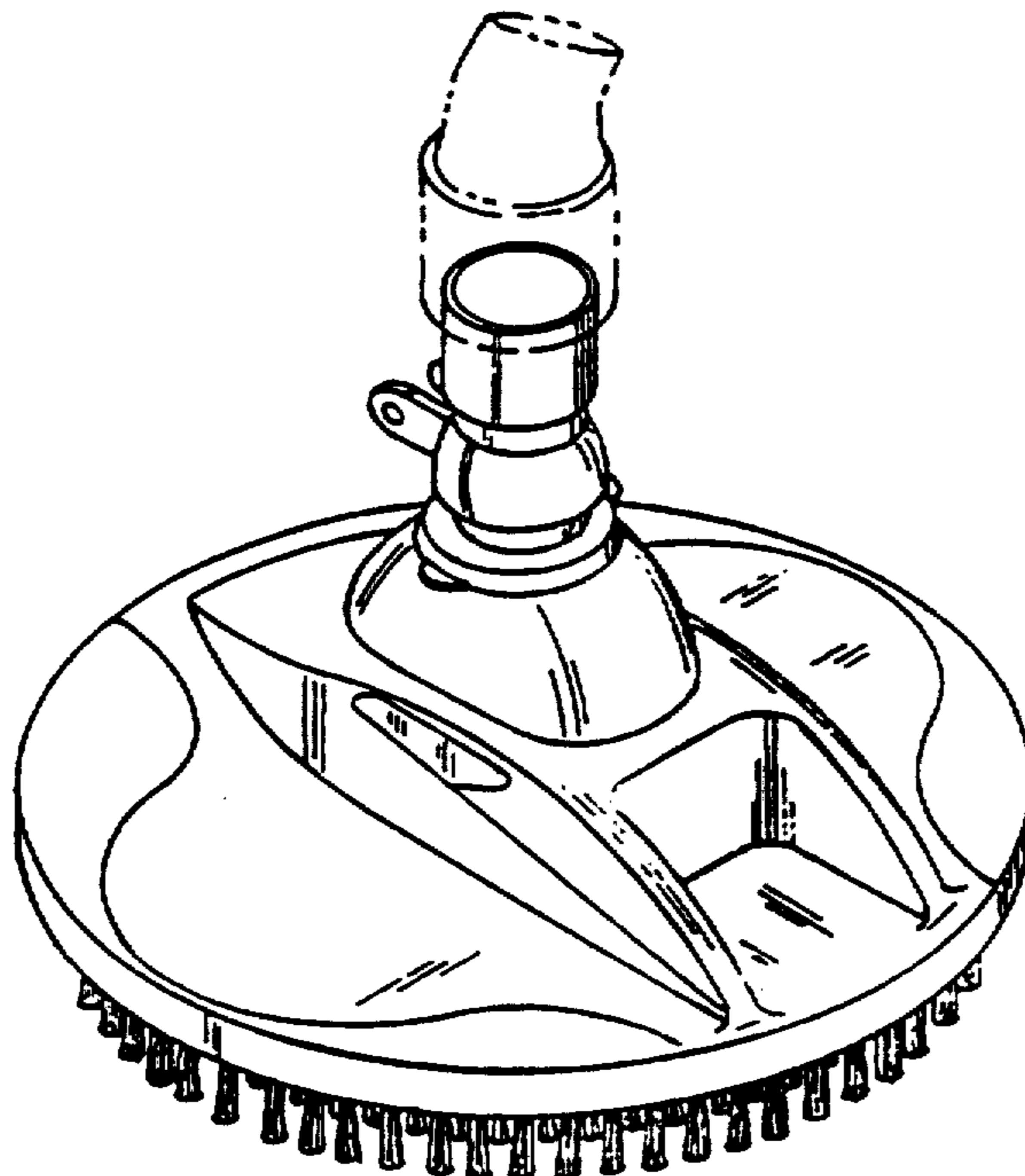
Primary Examiner—Cathy Anne MacCormac
Attorney, Agent, or Firm—June C. Boesz

[57] CLAIM

The ornamental design for an automatic swimming pool cleaner, as shown.

DESCRIPTION

FIG. 1 is a perspective view of an automatic swimming pool cleaner in accordance with this invention;
FIG. 2 is a front elevation of the device of FIG. 1;
FIG. 3 is a rear elevation;
FIG. 4 is a side elevation, the opposite side being a mirror image of the side shown;
FIG. 5 is a top plan view; and
FIG. 6 is a bottom plan view.



UNITED STATES PATENT AND TRADEMARK OFFICE
CERTIFICATE OF CORRECTION

Page 3 of 7

PATENT NO. : Des. 358,235

DATED : May 9, 1995

INVENTOR(S) : Gary L. Brooks and Christopher S. Labak

It is certified that error appears in the above-identified patent and that said Letters Patent is hereby corrected as shown below:

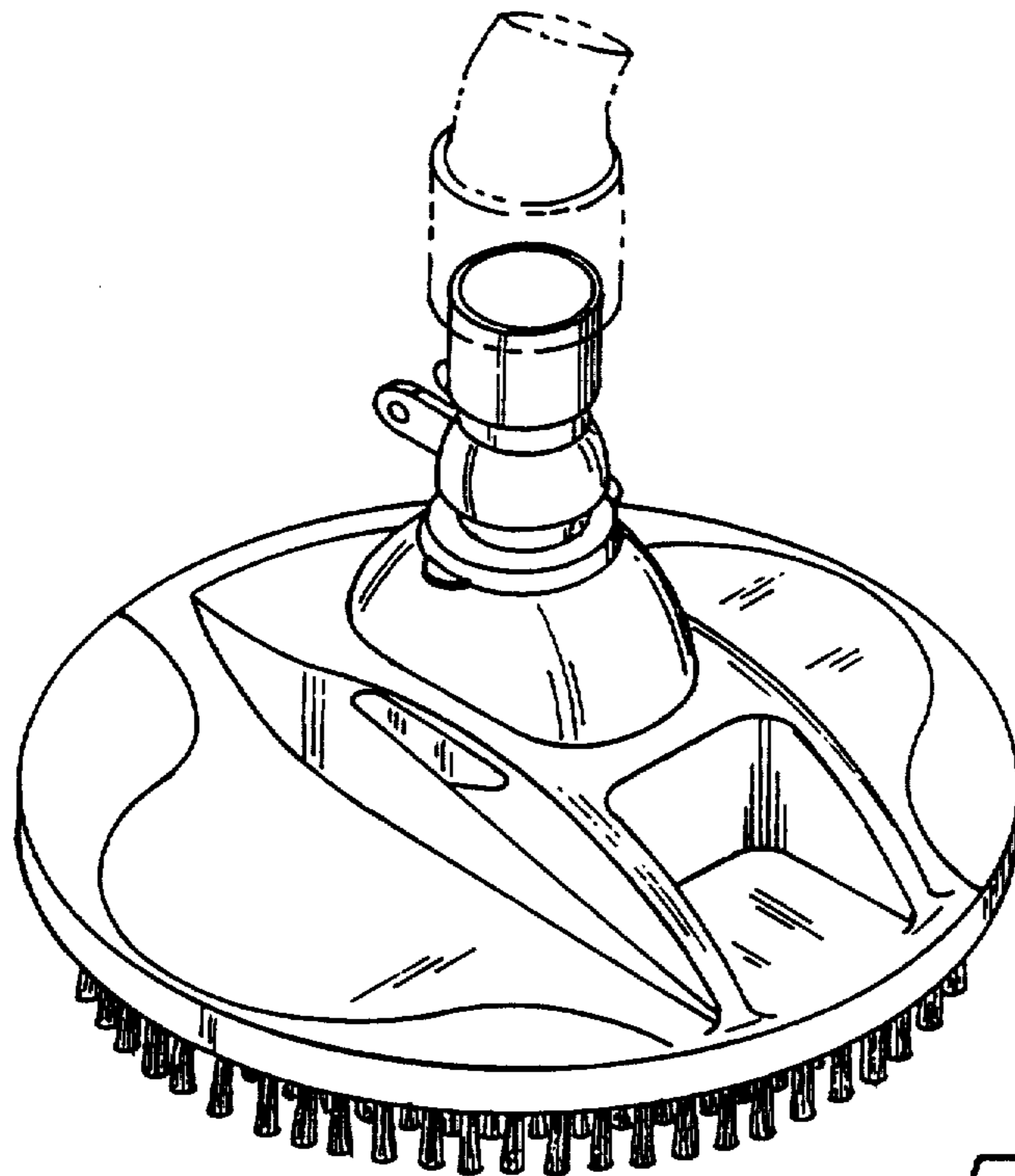


FIG. 1

UNITED STATES PATENT AND TRADEMARK OFFICE
CERTIFICATE OF CORRECTION

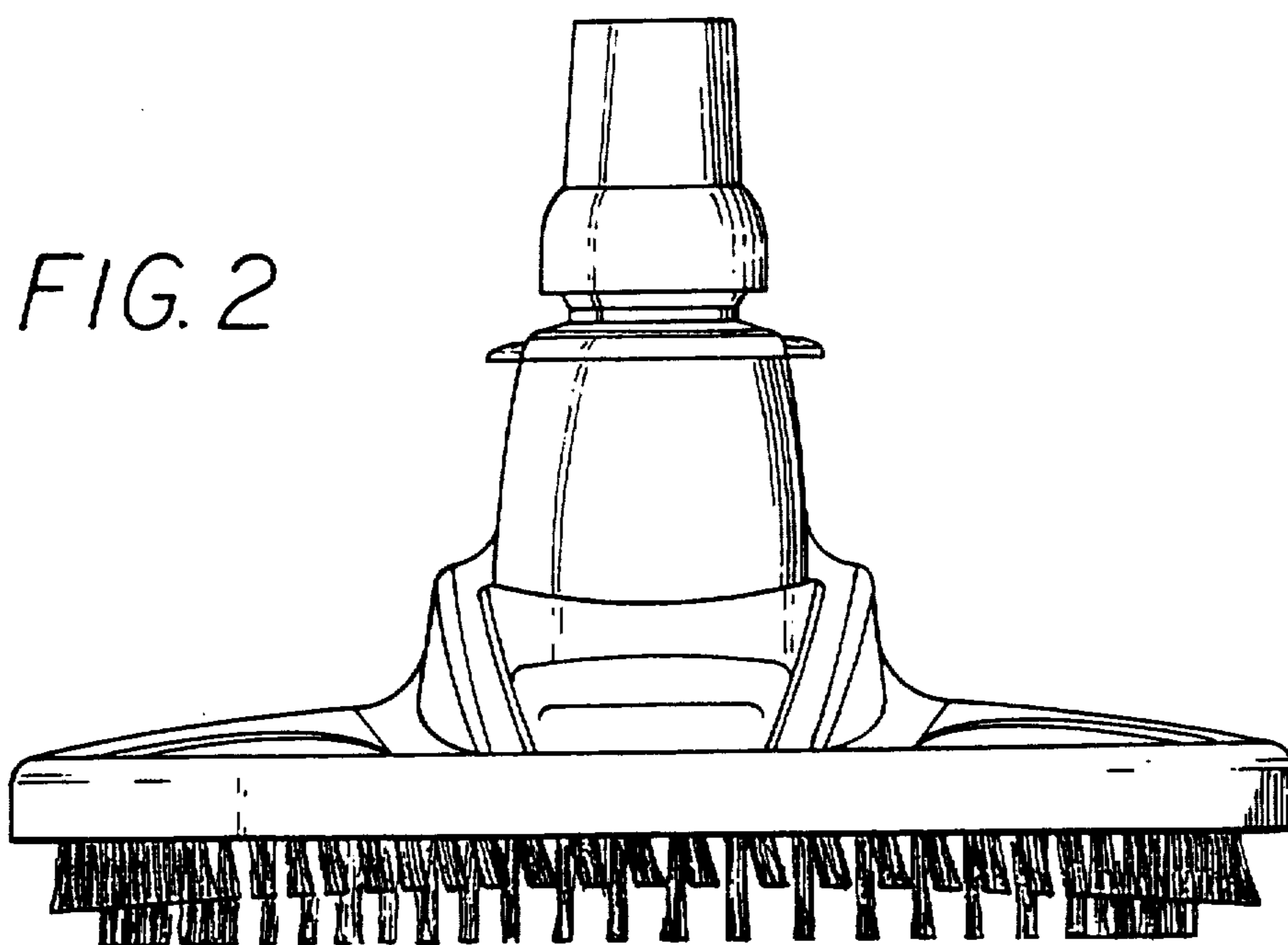
Page 4 of 7

PATENT NO. : Des. 358,235

DATED : May 9, 1995

INVENTOR(S) : Gary L. Brooks and Christopher S. Labak

It is certified that error appears in the above-identified patent and that said Letters Patent is hereby corrected as shown below:



UNITED STATES PATENT AND TRADEMARK OFFICE
CERTIFICATE OF CORRECTION

Page 5 of 7

PATENT NO. : Des. 358,235

DATED : May 9, 1995

INVENTOR(S) : Gary L. Brooks and Christopher S. Labak

It is certified that error appears in the above-identified patent and that said Letters Patent is hereby corrected as shown below:

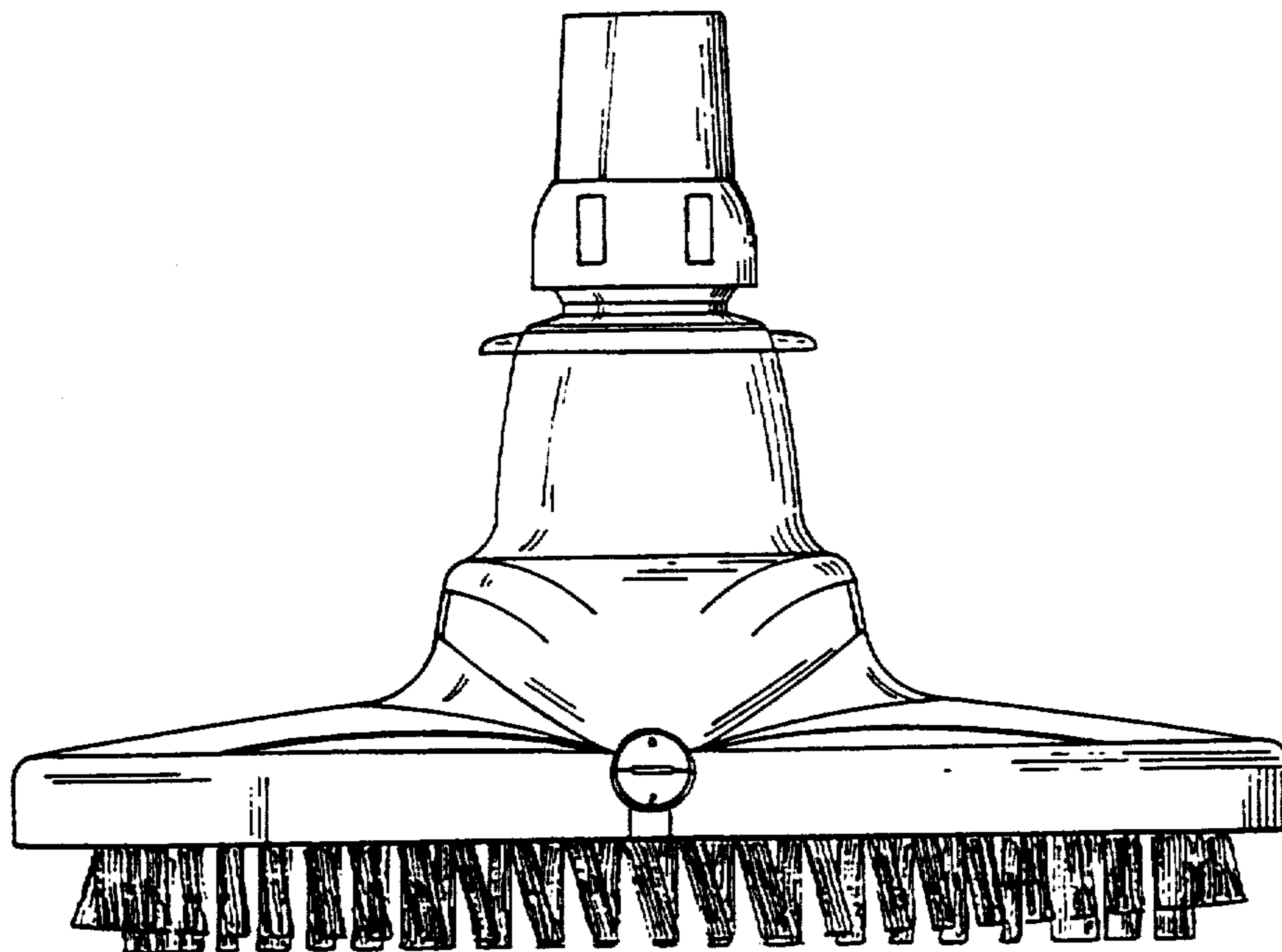


FIG. 3

UNITED STATES PATENT AND TRADEMARK OFFICE
CERTIFICATE OF CORRECTION

Page 6 of 7

PATENT NO. : Des. 358,235

DATED : May 9, 1995

INVENTOR(S) : Gary L. Brooks and Christopher S. Labak

It is certified that error appears in the above-identified patent and that said Letters Patent is hereby corrected as shown below:

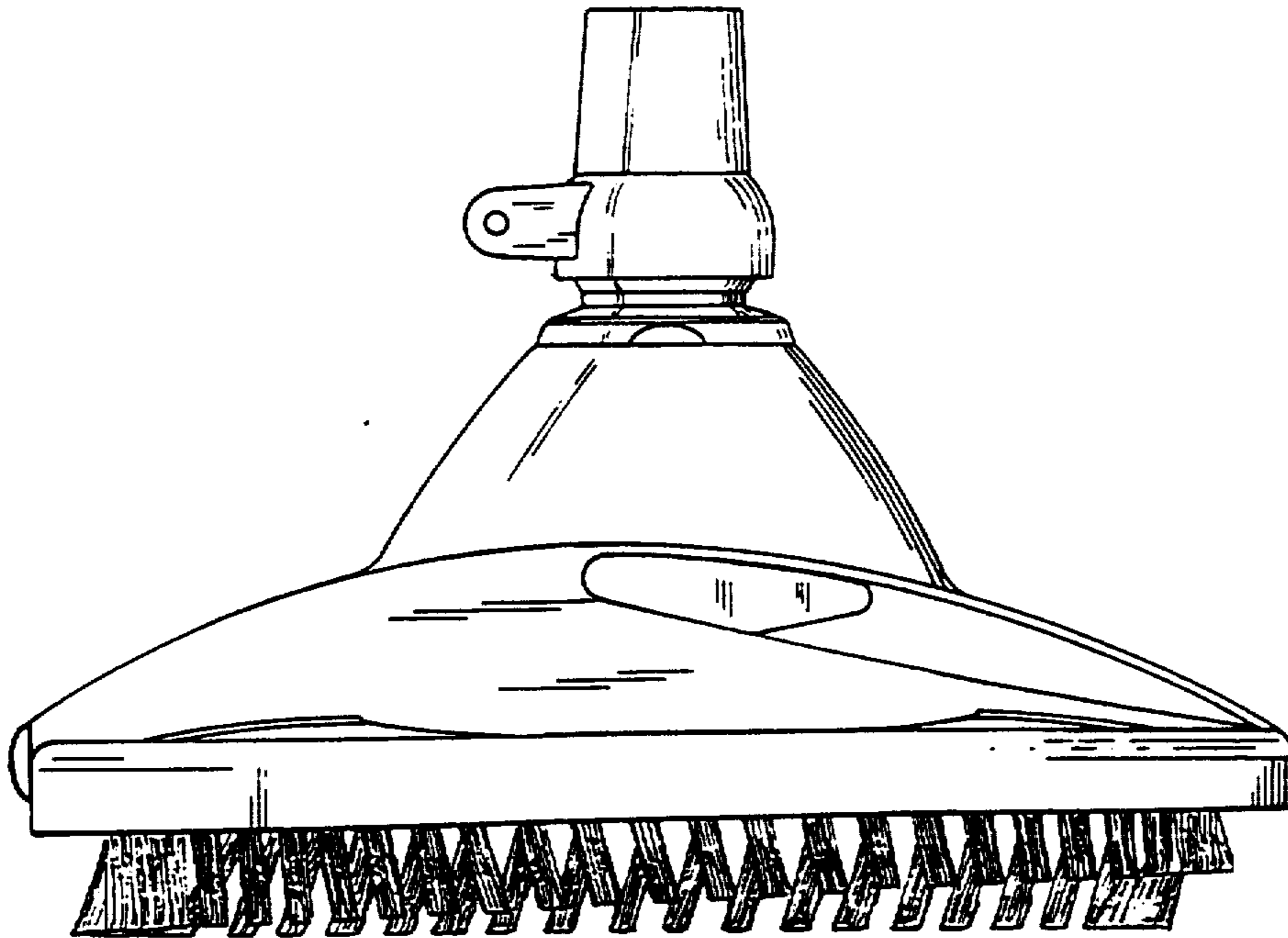


FIG. 4

UNITED STATES PATENT AND TRADEMARK OFFICE
CERTIFICATE OF CORRECTION

Page 7 of 7

PATENT NO. : Des. 358,235

DATED : May 9, 1995

INVENTOR(S) : Gary L. Brooks and Christopher S. Labak

It is certified that error appears in the above-identified patent and that said Letters Patent is hereby corrected as shown below:

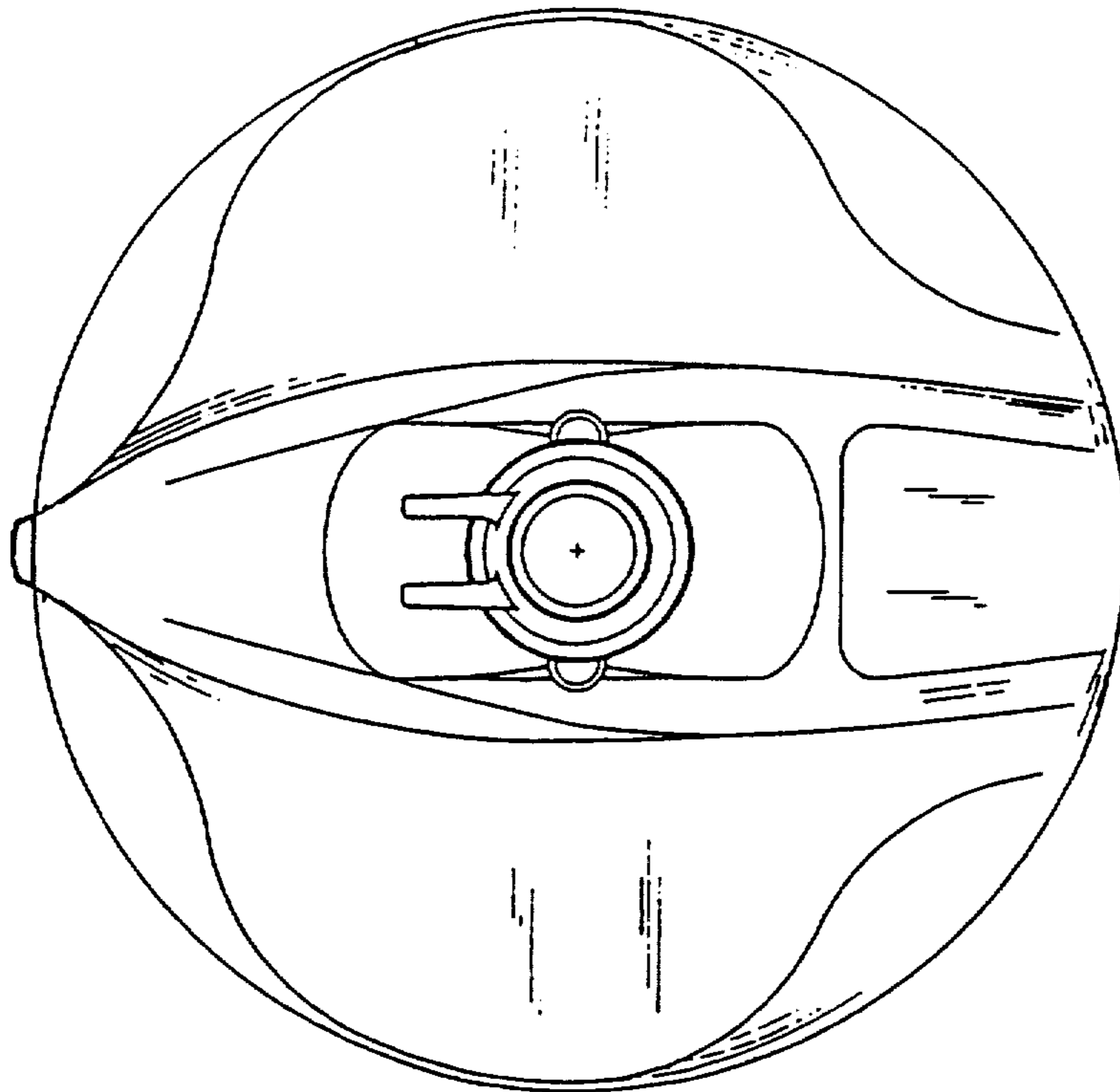


FIG. 5