



US00D358234S

# United States Patent [19]

[11] Patent Number: **Des. 358,234**

Lin

[45] Date of Patent: **\*\* May 9, 1995**

[54] **DUST COLLECTOR**

[75] Inventor: **Kun-Yih Lin, Taichung,**  
[73] Assignee: **Chang Tjer Industrial Co., Ltd., Taichung,**  
[\*\*] Term: **14 Years**

D. 326,005 5/1992 Anderson ..... D32/21  
D. 326,543 5/1992 Zwicker ..... D32/21  
D. 342,354 12/1993 Lopes ..... D32/21  
5,018,238 5/1991 Nelle ..... 15/344

*Primary Examiner—Ruth McInroy*  
*Attorney, Agent, or Firm—Bacon & Thomas*

[21] Appl. No.: **3,667**  
[22] Filed: **Jan. 13, 1993**  
[52] U.S. Cl. .... **D32/1**  
[58] Field of Search ..... **D32/1, 21, 31, 15;**  
**15/301, 302, 312.1, 316.1-318.1, 405**

[57] **CLAIM**

The ornamental design for a dust collector, as shown and described.

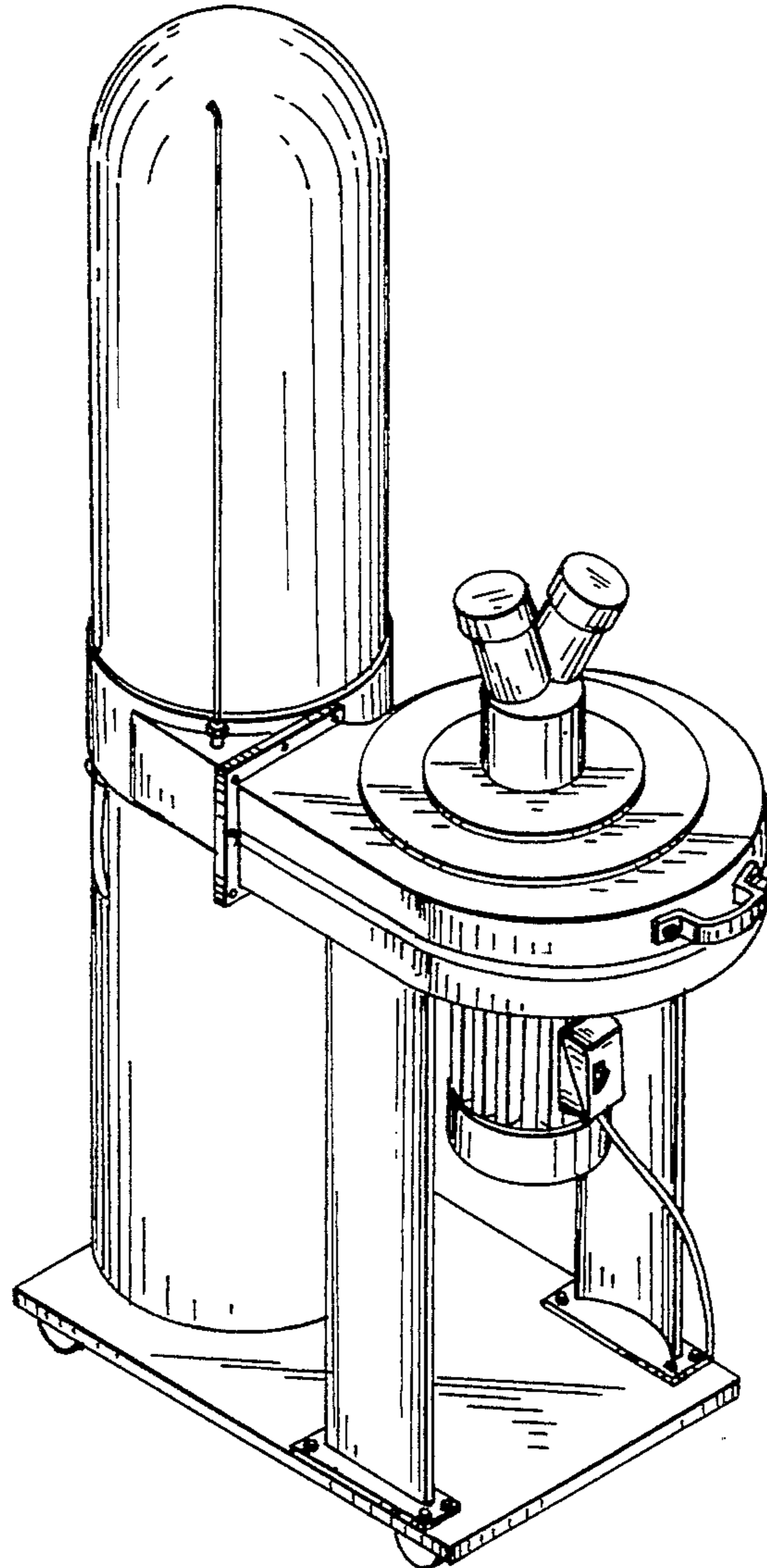
**DESCRIPTION**

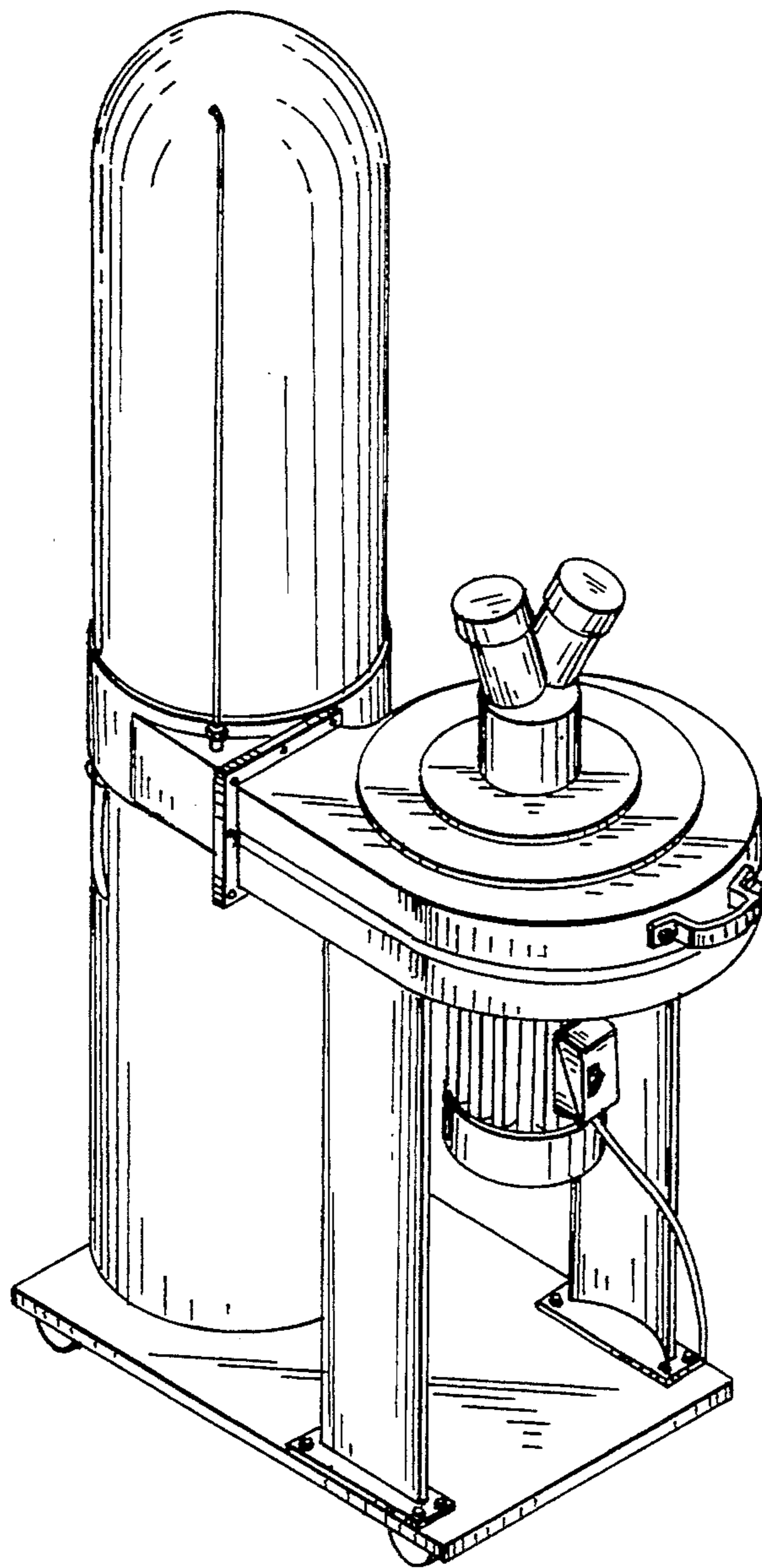
FIG. 1 is a perspective view of a dust collector taken from above and side showing my new design; FIG. 2 is a front elevational view thereof; FIG. 3 is a rear elevational view thereof; FIG. 4 is a left side elevational view thereof; FIG. 5 is a right side elevational view thereof; FIG. 6 is a top plan view thereof; and, FIG. 7 is a bottom plan view thereof.

[56] **References Cited**

**U.S. PATENT DOCUMENTS**

45,405 3/1914 Sutton ..... D32/21  
D. 214,083 5/1969 Alligood, Jr. .... D32/22  
D. 287,656 1/1987 Waldrep et al. .... D32/21  
D. 289,096 3/1987 Larsen ..... D32/21





*FIG. 1*

FIG. 3

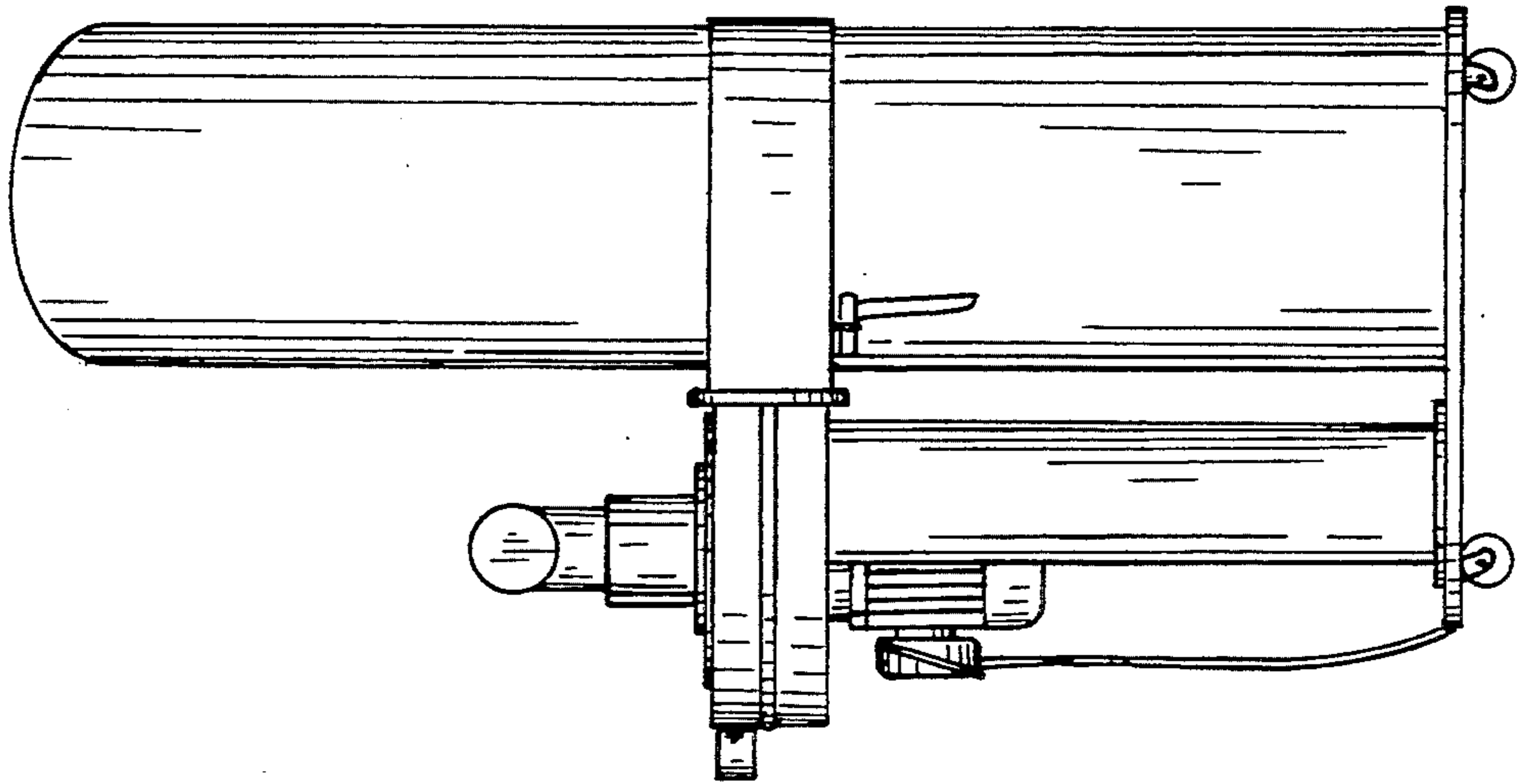


FIG. 2

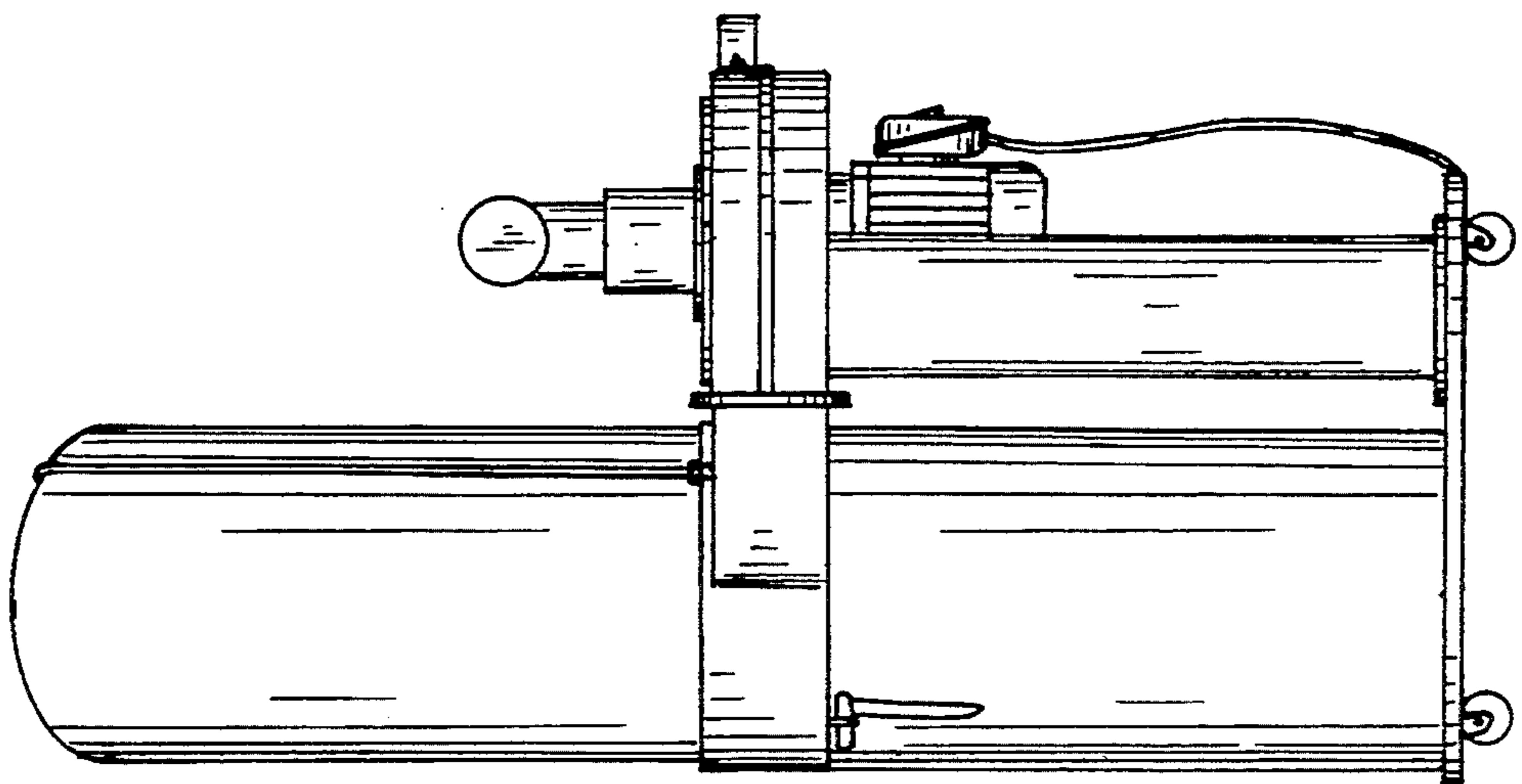


FIG. 5

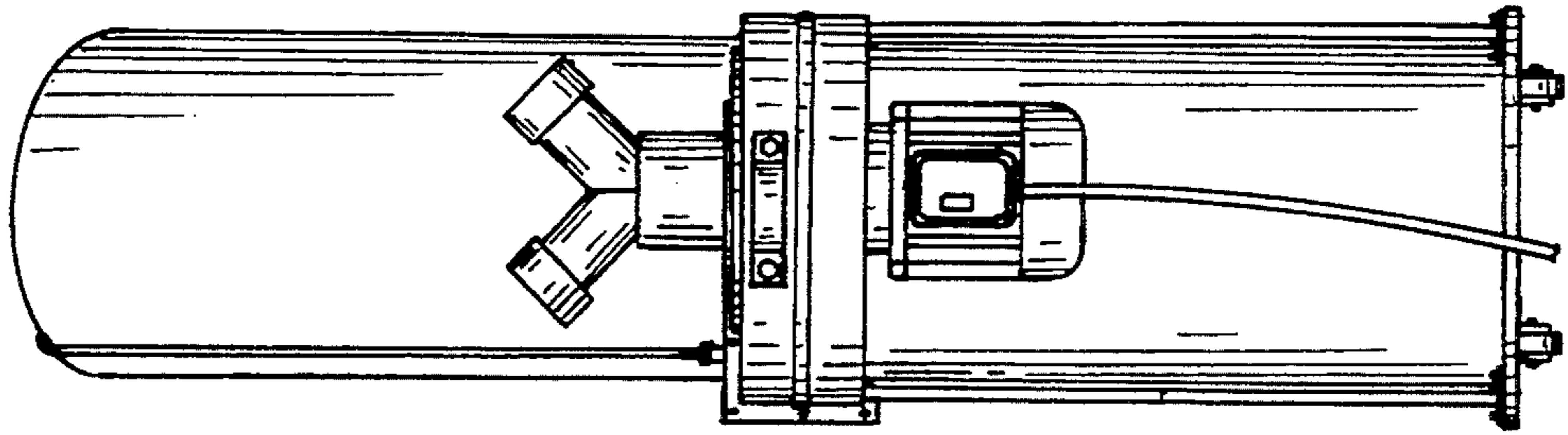


FIG. 4

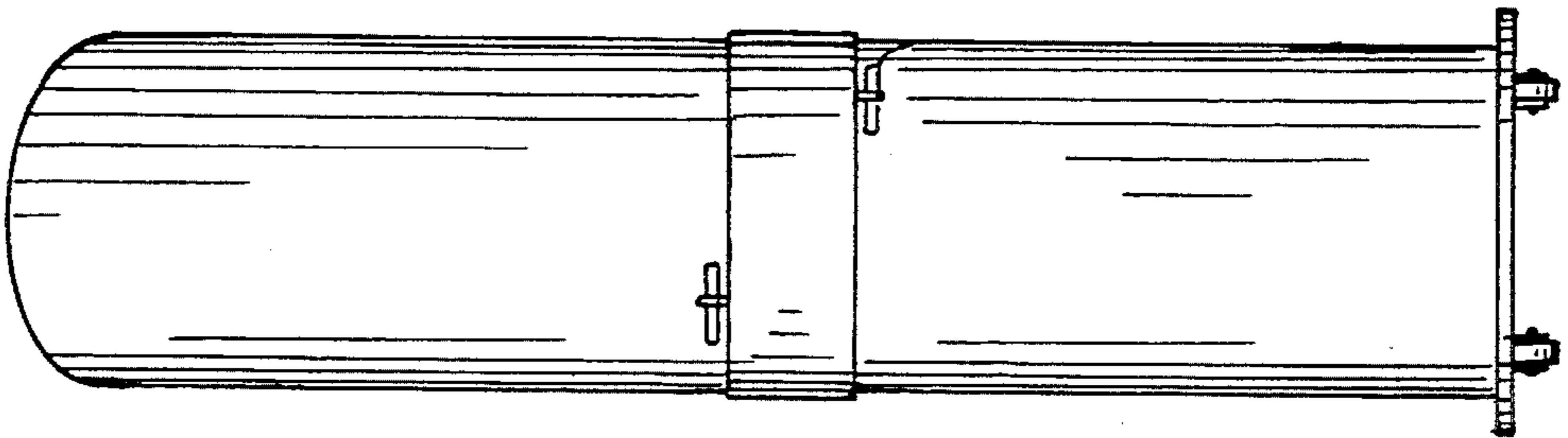


FIG. 7

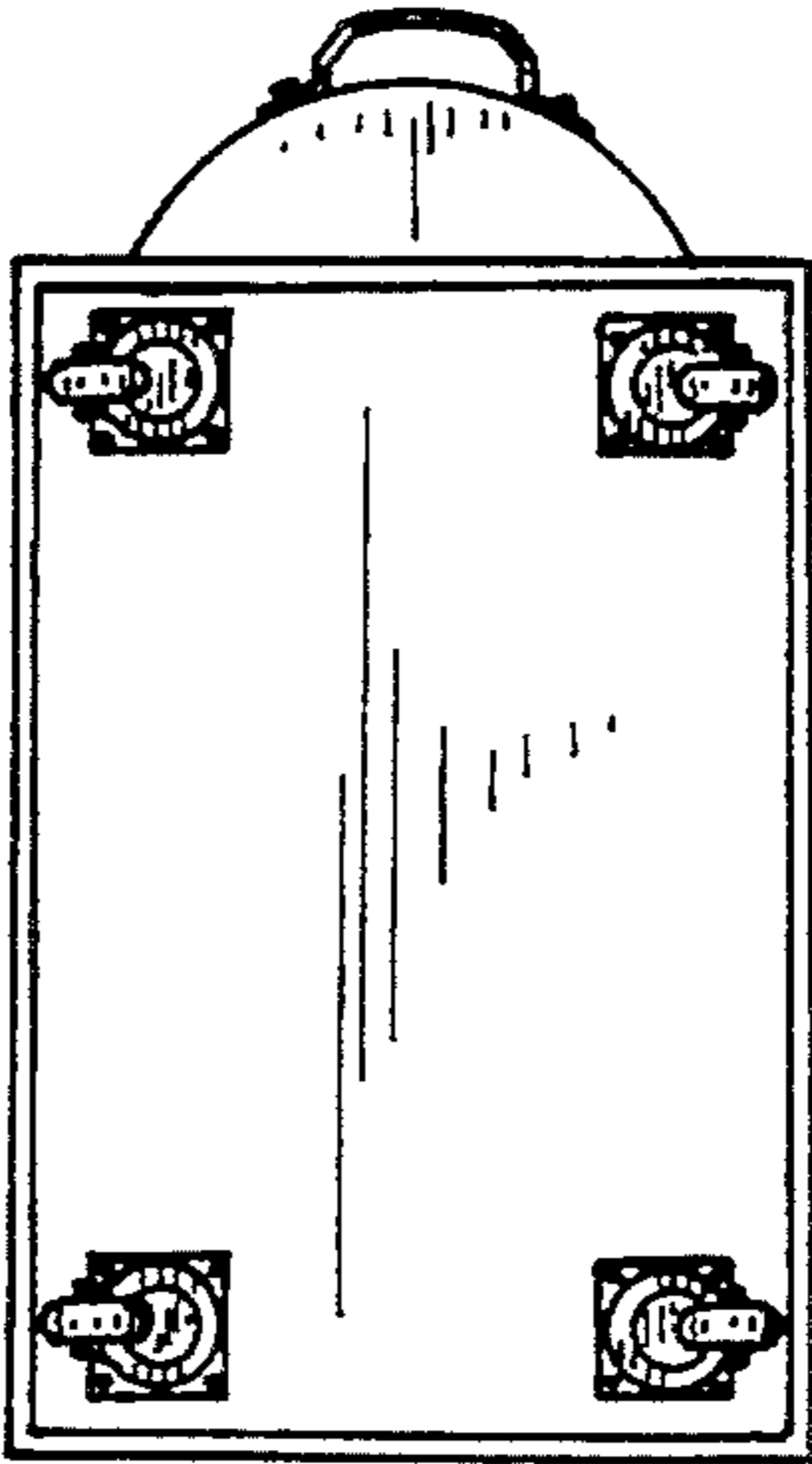


FIG. 6

