



US00D358229S

# United States Patent [19]

[11] Patent Number: Des. 358,229

Heine

[45] Date of Patent: \*\* May 9, 1995

## [54] TOBACCO HOOKAH

[75] Inventor: **Randolph A. Heine**, Pinellas Park, Fla.

[73] Assignee: **New Tradition Pipe Company**, Pinellas Park, Fla.

[\*\*] Term: **14 Years**

[21] Appl. No.: **25,242**

[22] Filed: **Jun. 28, 1994**

[52] U.S. Cl. .... **D27/162; D27/166**

[58] Field of Search ..... **D27/162, 163, 166, 168, D27/170, 171, 172; 131/173, 187, 188, 194, 270, 273, 329, 335, 336, 360, 361**

## [56] References Cited

### U.S. PATENT DOCUMENTS

586,149	7/1897	Turner	.....	131/173
1,513,147	10/1924	Zahariadis	.....	131/173

## OTHER PUBLICATIONS

*Odyssey Glass*, Nov. 1977 Catalog, "Round 2-Way Hooka," bottom left corner of page.

*Odyssey Glass*, Nov. 1977 Catalog, "Large-4-Way Hooka," left side of page.

*Odyssey Glass*, Nov. 1977 Catalog, "Acrylic-Metal--Wood Pipe #432," right center of page.

*Primary Examiner*—Louis S. Zarfes

*Assistant Examiner*—Monica A. Hannon

*Attorney, Agent, or Firm*—James E. Larson

## [57] CLAIM

The ornamental design for a tobacco hookah, as shown and described.

## DESCRIPTION

FIG. 1 is a perspective view of a tobacco hookah showing my new design;

FIG. 2 is a front elevational view thereof;

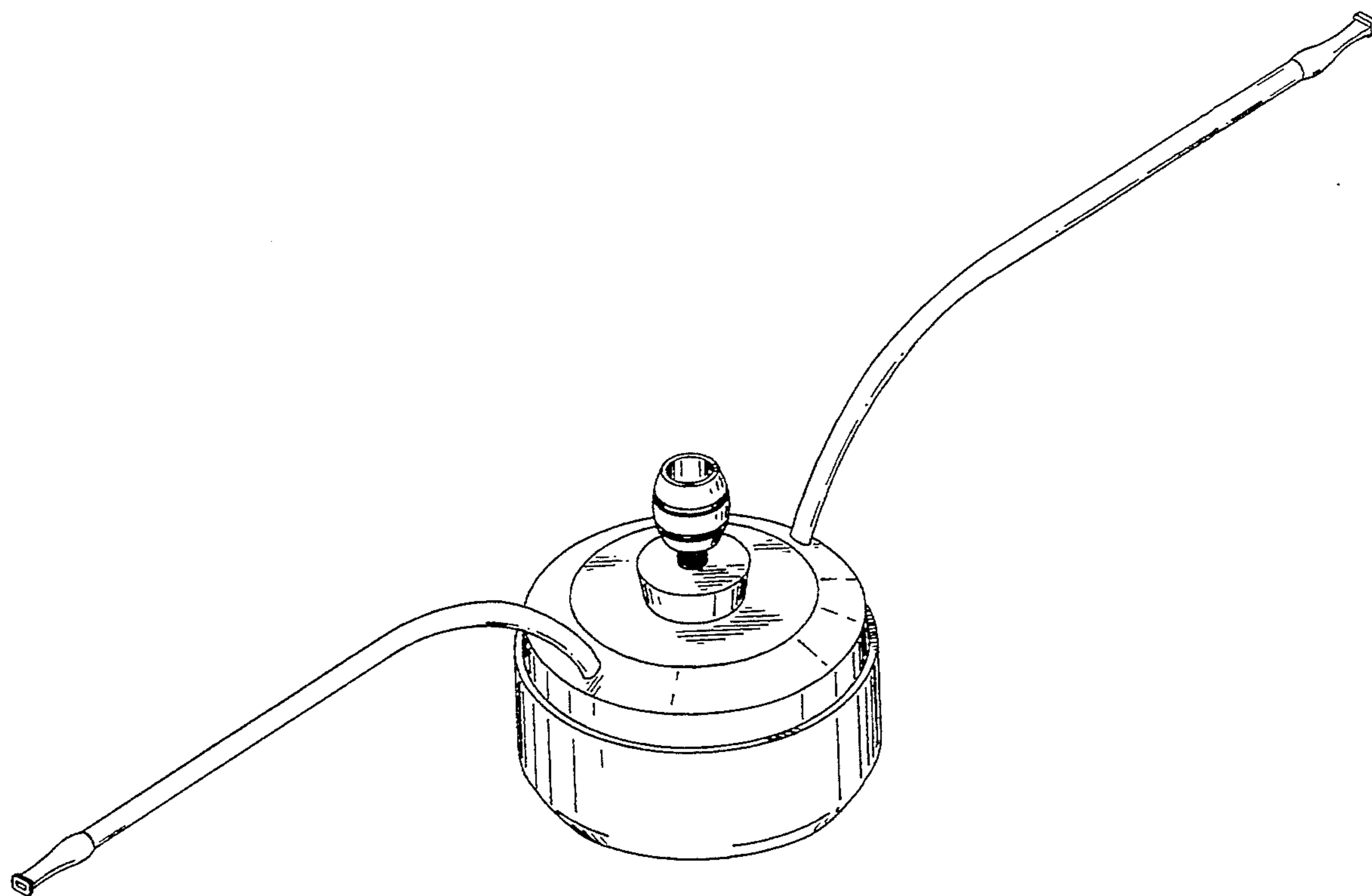
FIG. 3 is a rear elevational view thereof;

FIG. 4 is a top plan view thereof;

FIG. 5 is a bottom plan view thereof;

FIG. 6 is a left side elevational view thereof; and,

FIG. 7 is a right side elevational view thereof.



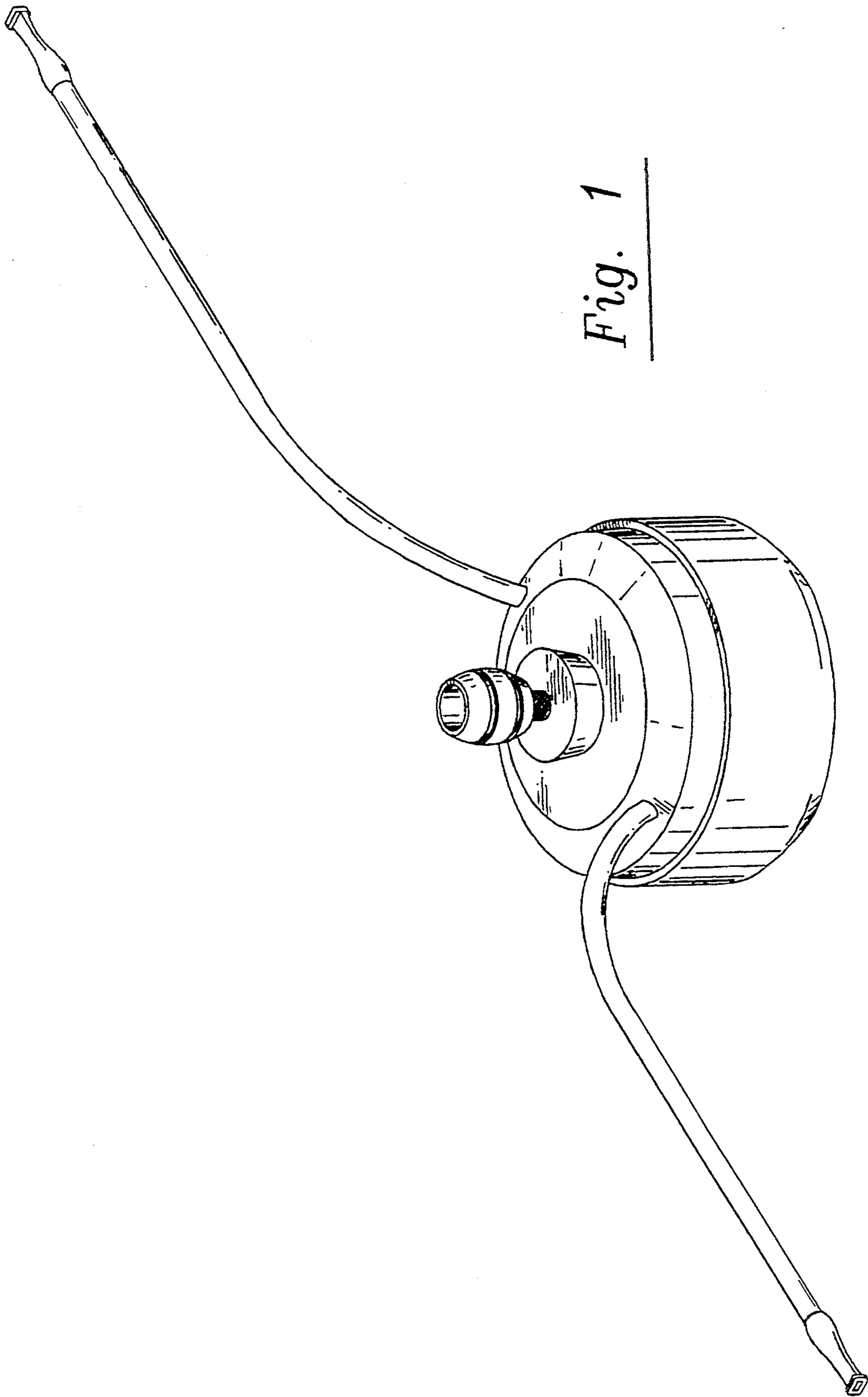


Fig. 1

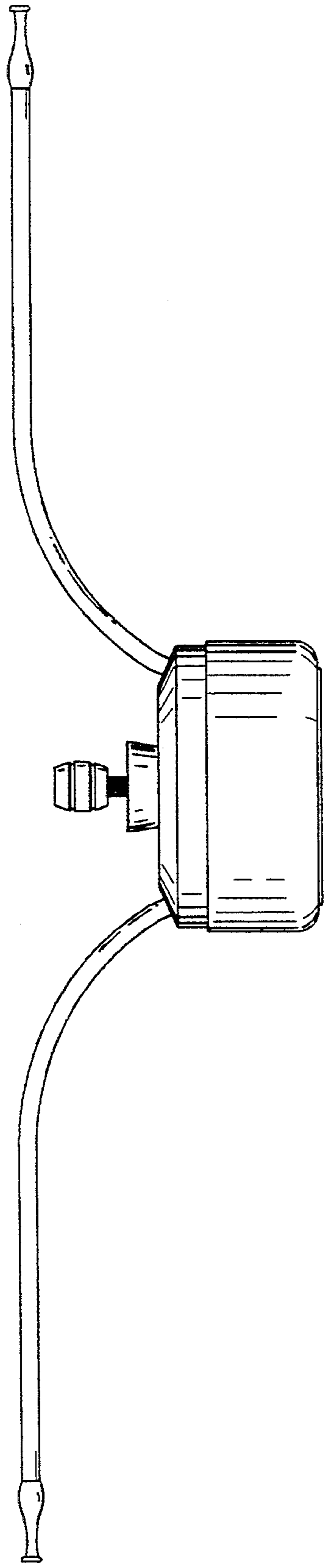


Fig. 2

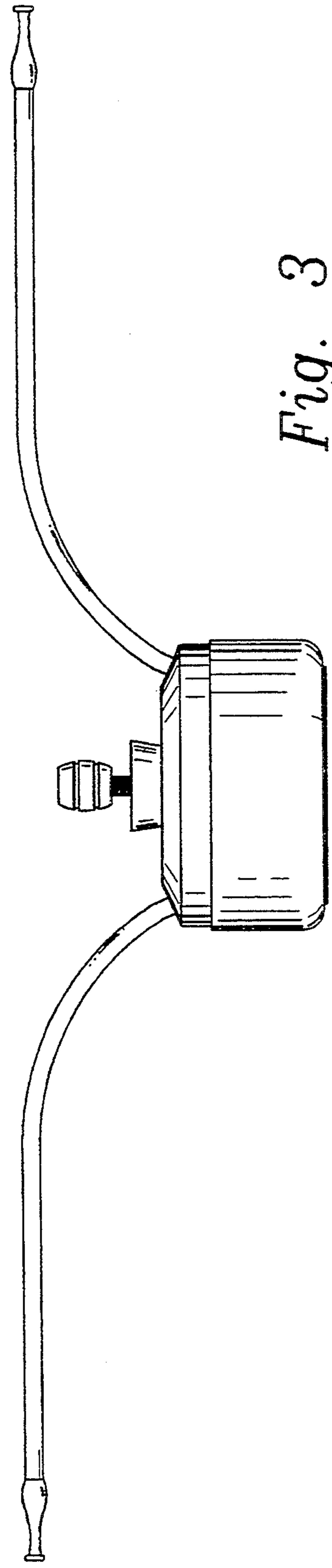
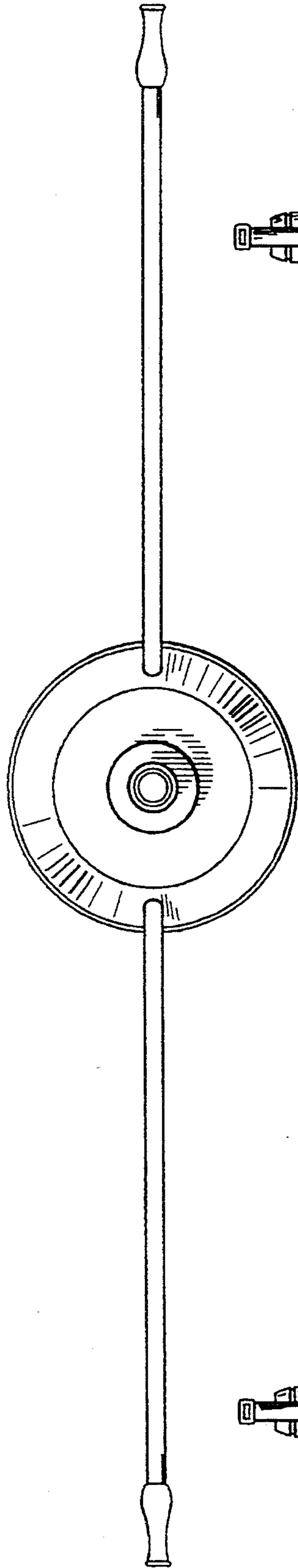
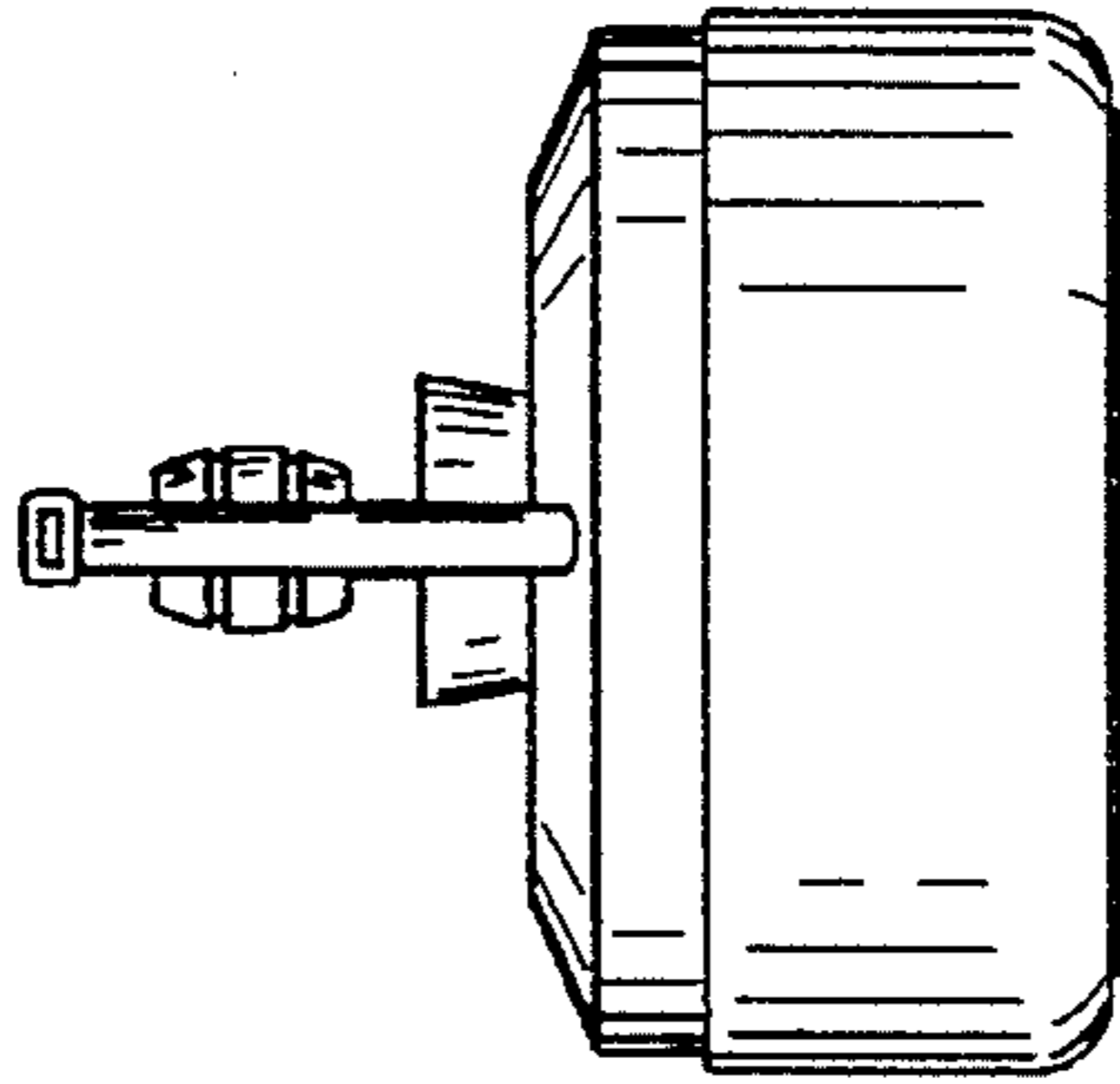


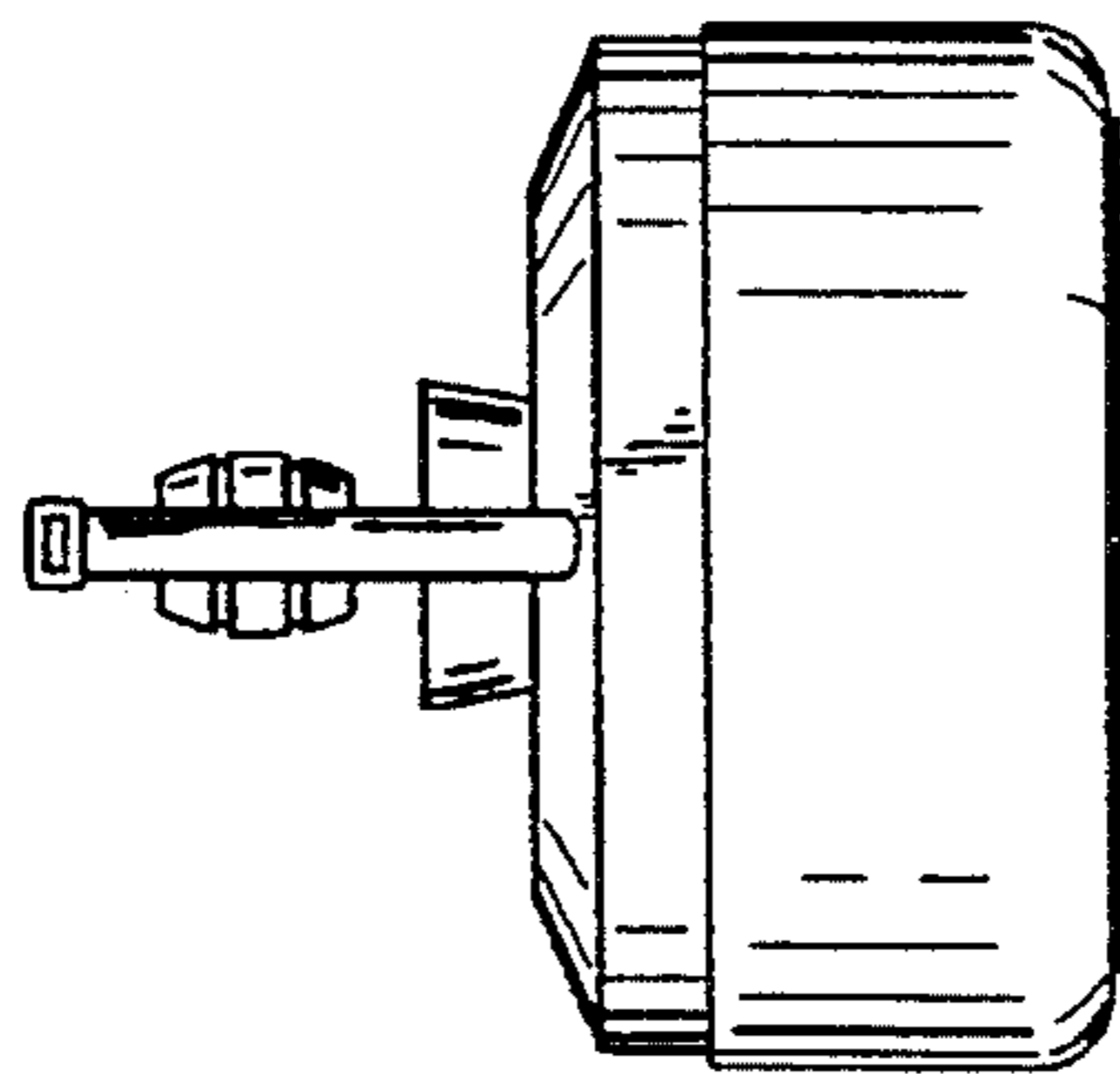
Fig. 3



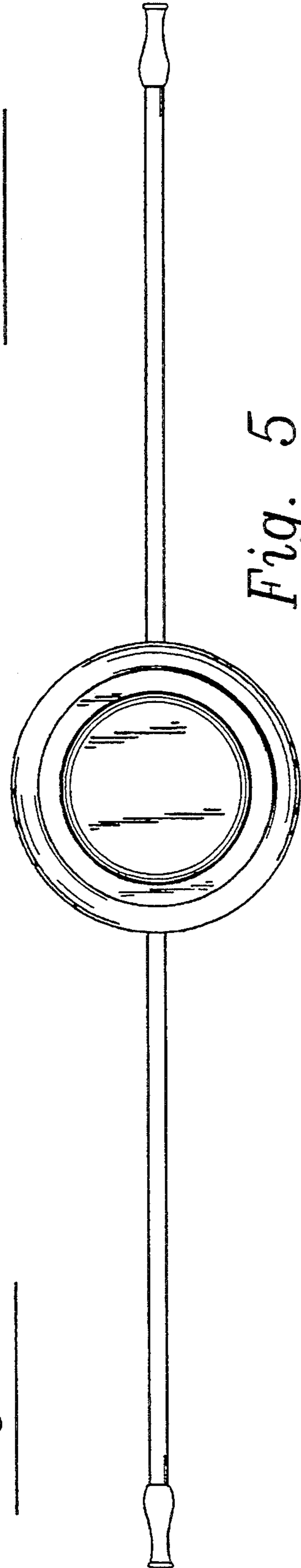
*Fig. 4*



*Fig. 7*



*Fig. 6*



*Fig. 5*