



US00D358226S

United States Patent [19]

[11] Patent Number: **Des. 358,226**

Osteen et al.

[45] Date of Patent: **** May 9, 1995**

[54] EXTERIOR LUMINAIRE

[75] Inventors: **Mitchell M. Osteen**, Zirconia;
Suleyman O. Sumer, Chapel Hill,
both of N.C.

[73] Assignee: **Regent Lighting Corporation**,
Burlington, N.C.

[**] Term: **14 Years**

[21] Appl. No.: **25,623**

[22] Filed: **Jul. 7, 1994**

[52] U.S. Cl. **D26/71**

[58] Field of Search **D26/67-71;**
362/431, 432

[56] References Cited

U.S. PATENT DOCUMENTS

- D. 302,047 7/1989 Flannery et al. D26/71
- D. 329,714 9/1992 McIngvale, Jr. et al. D26/71
- 4,595,971 6/1986 Dean 362/431 X

OTHER PUBLICATIONS

Catalogue of General Electric Co., Lighting Systems Dept., Hendersonville, N.C.; No. GEA-12000B, dated Jan. 1989; pp. 2,4,5,154,155,224, and 225.

Catalogue of Regent Lighting Corp., Burlington, N.C.; published prior to 1993; pp. 12 and 13.

Primary Examiner—Susan J. Lucas

[57] CLAIM

The ornamental design for a exterior luminaire, as shown and described.

DESCRIPTION

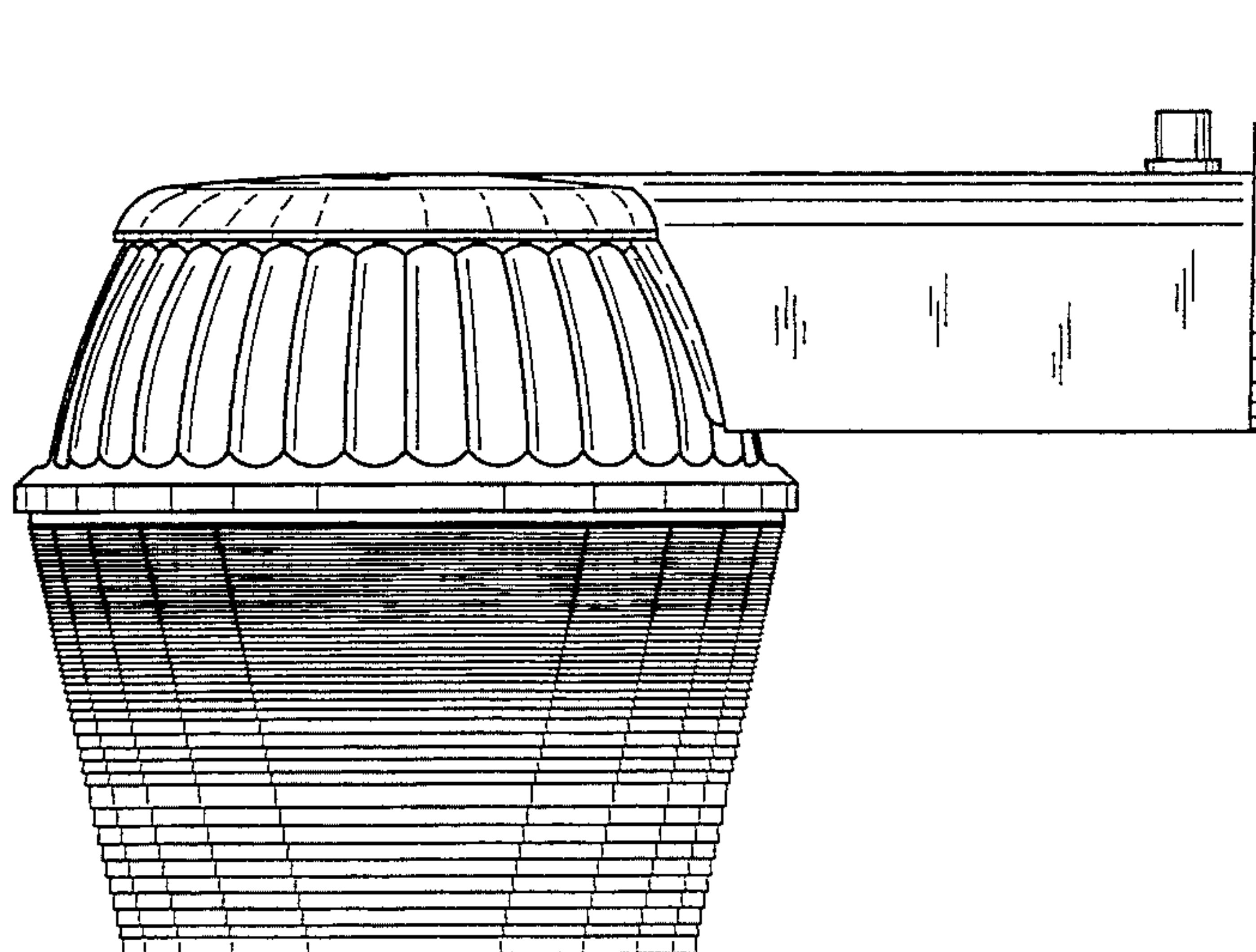
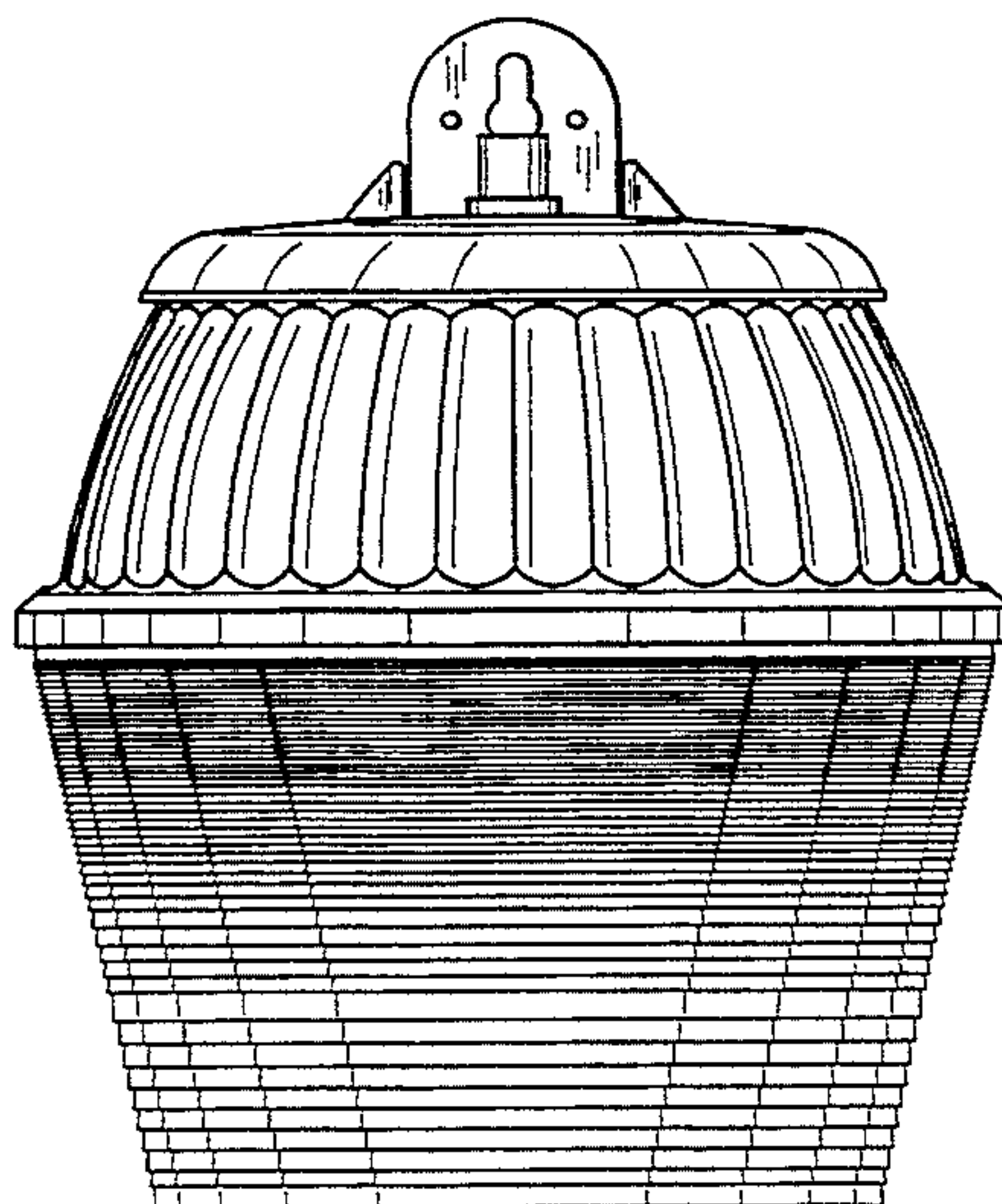
FIG. 1 is a front elevational view of the exterior luminaire;

FIG. 2 is a rear elevational view of the exterior luminaire;

FIG. 3 is a side elevational view of the exterior luminaire;

FIG. 4 is a top plan view of the exterior luminaire; and,

FIG. 5 is a bottom plan view of the exterior luminaire.



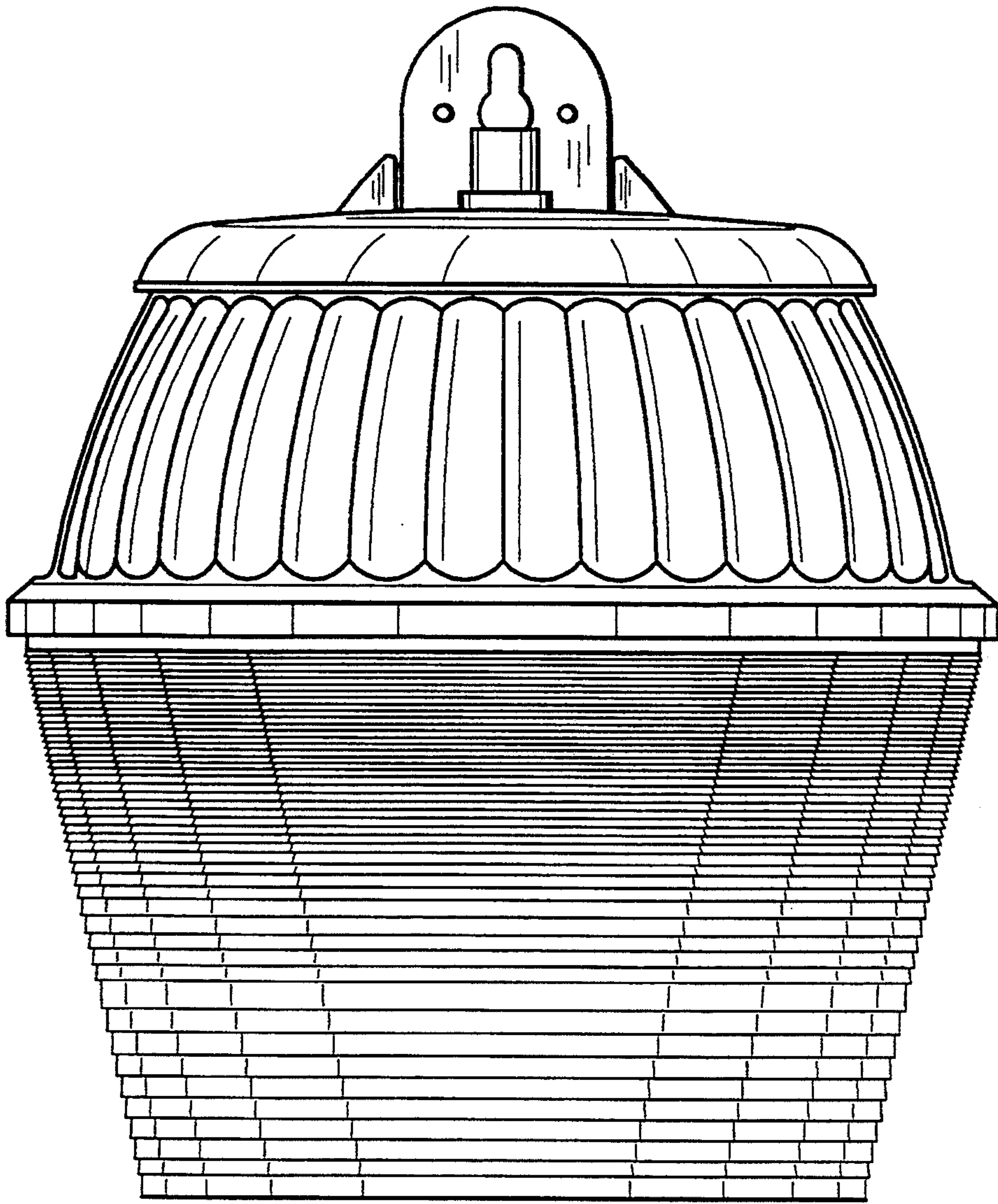


Fig. 1

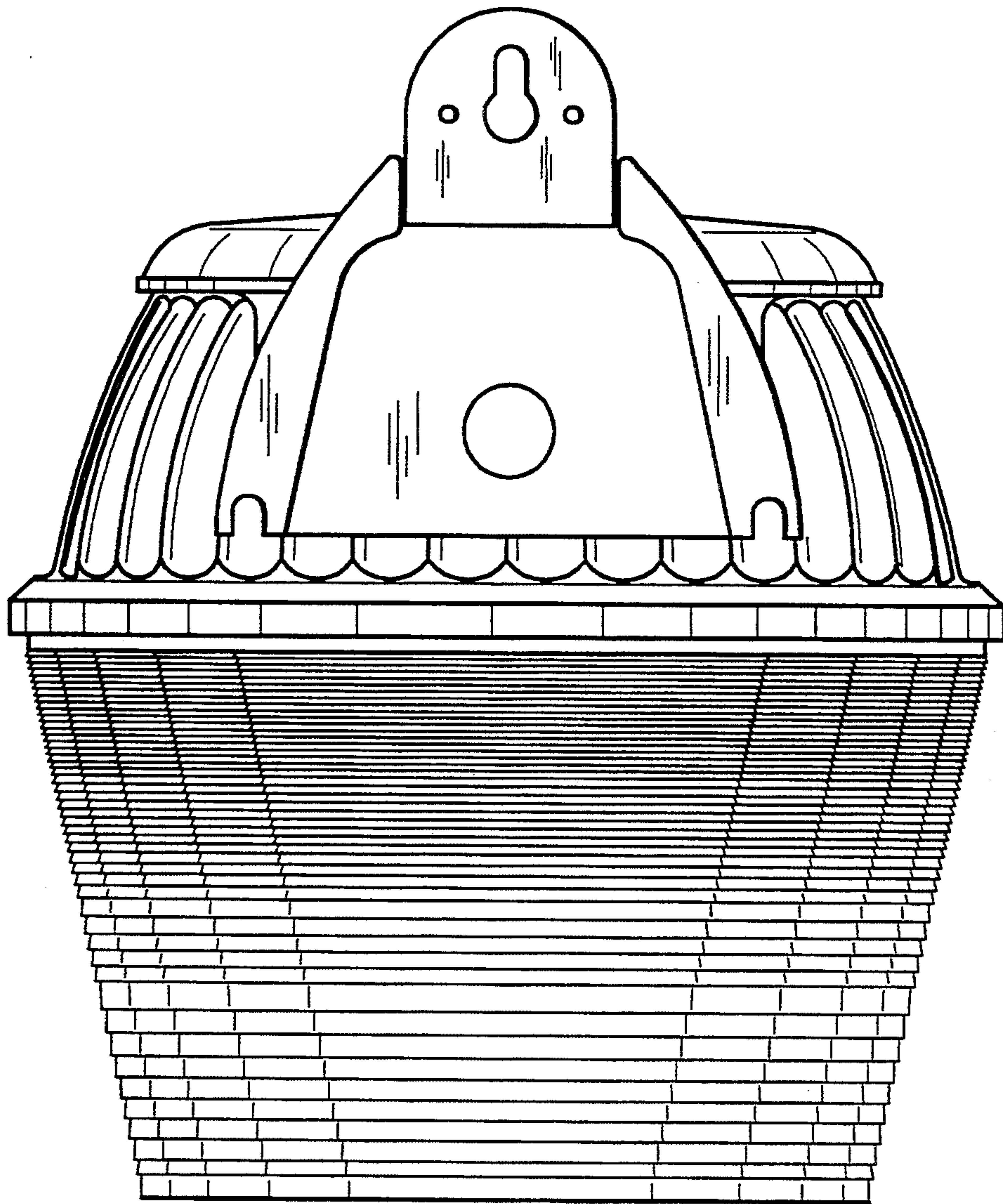


Fig. 2

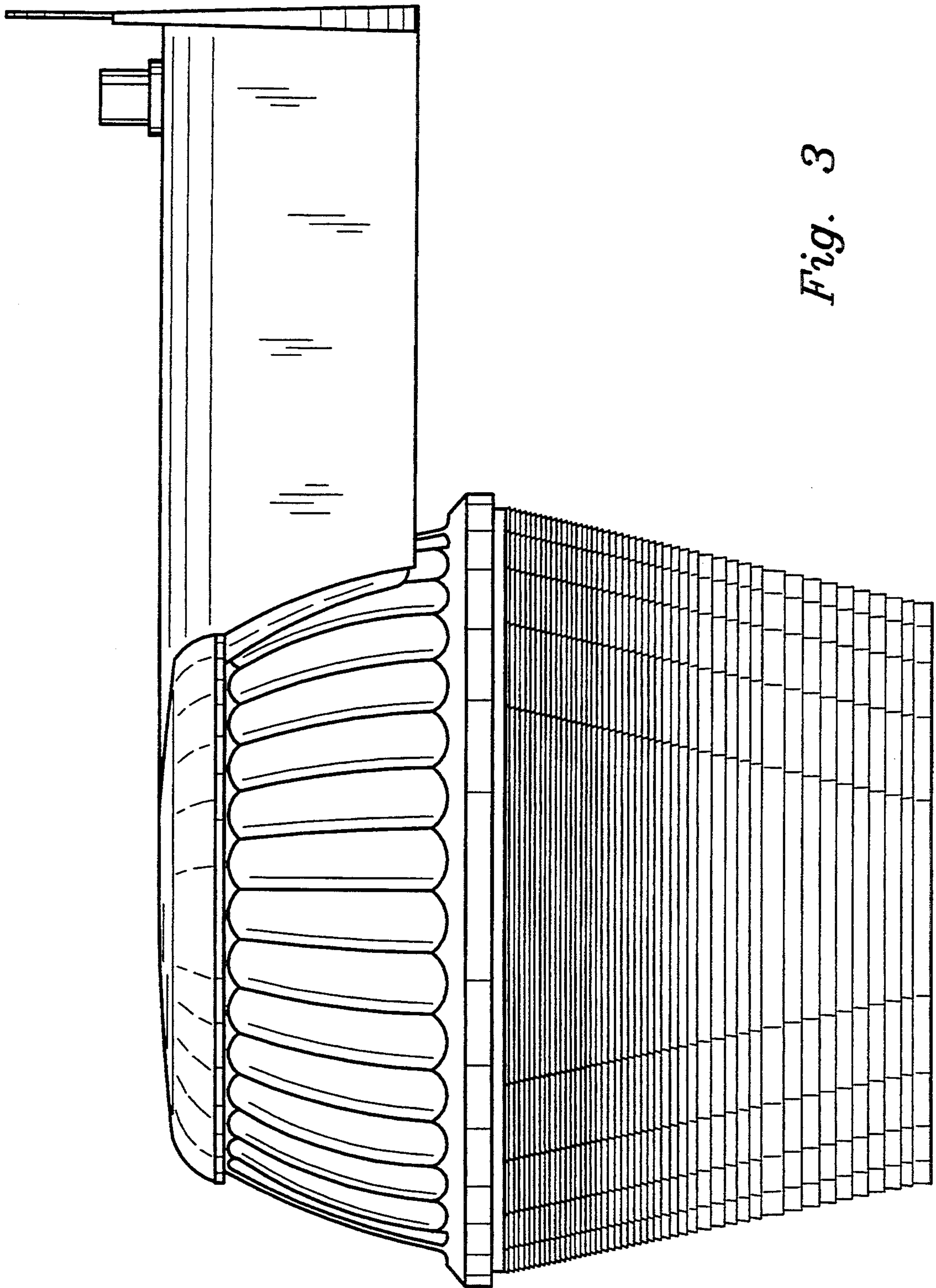
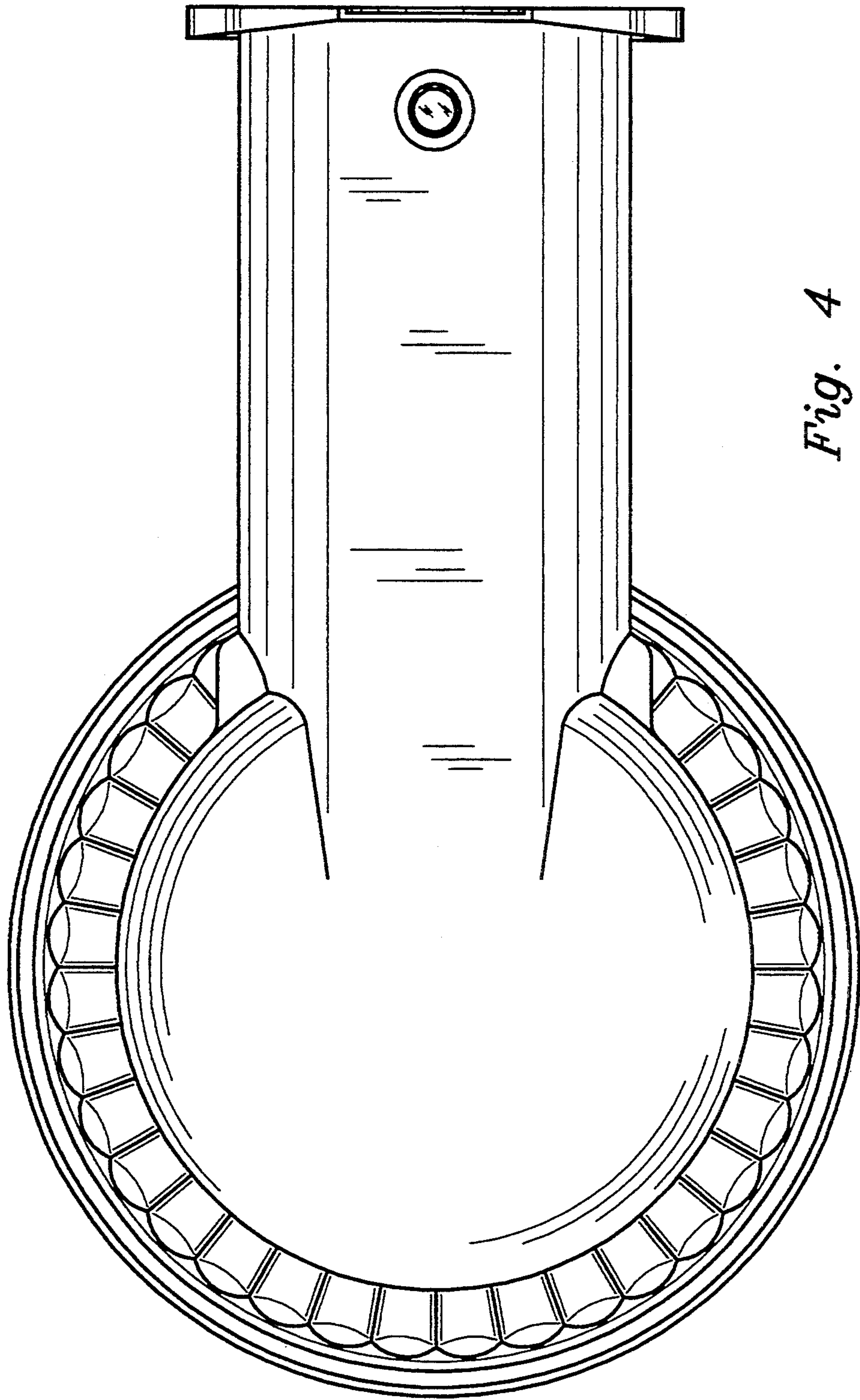


Fig. 3



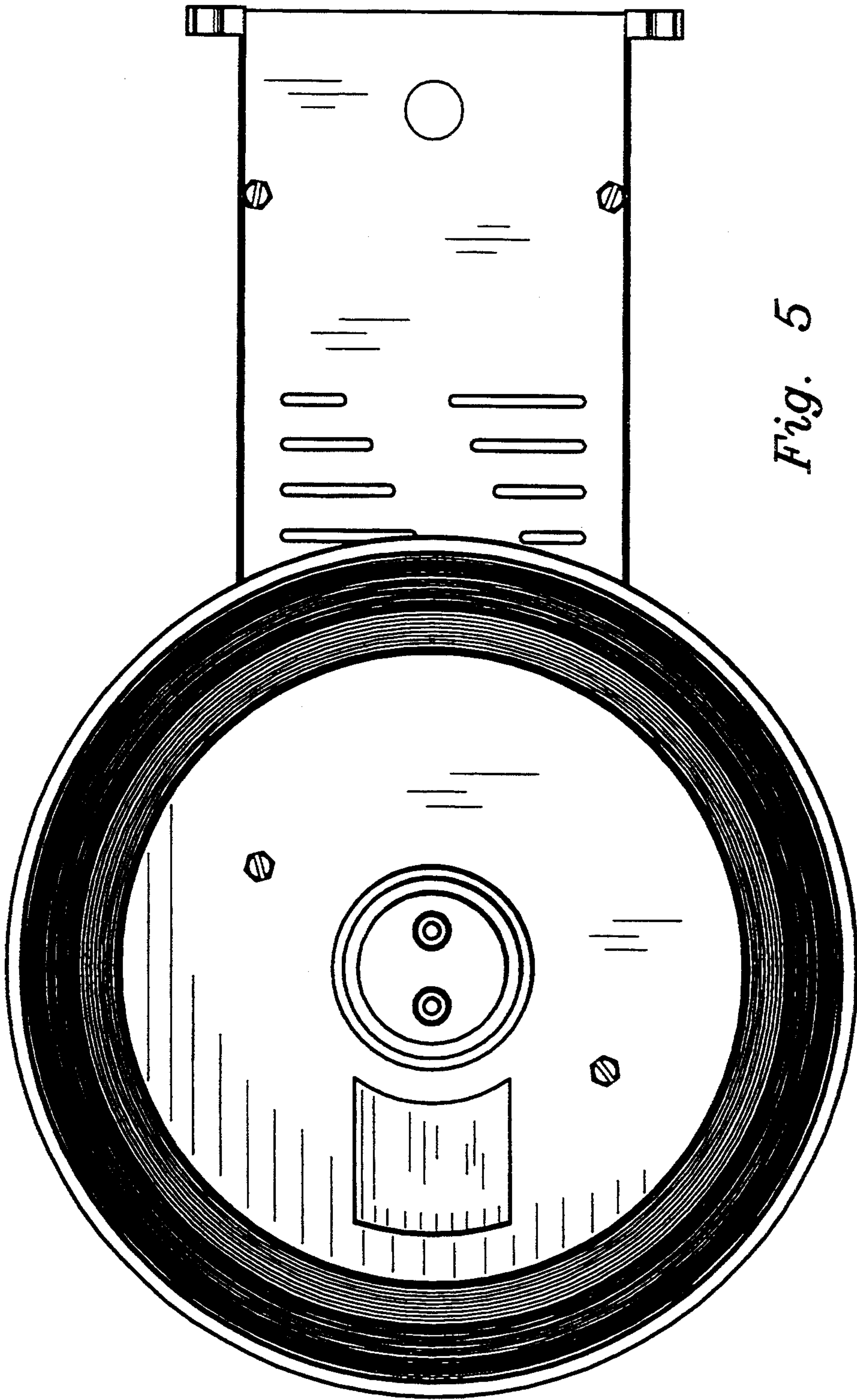


Fig. 5