



US00D358225S

**United States Patent** [19]

[11] **Patent Number: Des. 358,225**

**Lin**

[45] **Date of Patent: \*\* May 9, 1995**

[54] **ADJUSTABLE TRACKLIGHT**

[56] **References Cited**

**U.S. PATENT DOCUMENTS**

[76] **Inventor: Shan C. Lin**, No. 2, Lane 111, Ta Chu Road, Lu Chu Hsiang, Taoyuan Hsien, Taiwan, Prov. of China

D. 345,616 3/1994 Lin ..... D26/63

*Primary Examiner*—Susan J. Lucas  
*Attorney, Agent, or Firm*—Bacon & Thomas

[\*\*] **Term: 14 Years**

[57] **CLAIM**

The ornamental design for a adjustable tracklight, as shown.

[21] **Appl. No.: 24,350**

**DESCRIPTION**

[22] **Filed: Jun. 13, 1994**

FIG. 1 is a perspective view of a adjustable tracklight showing my design;

[52] **U.S. Cl. .... D26/63**

FIG. 2 is a front elevational view thereof;

[58] **Field of Search** ..... D26/60, 61, 63, 64, D26/65, 66; 362/269, 271, 272, 275, 418, 419, 427, 404

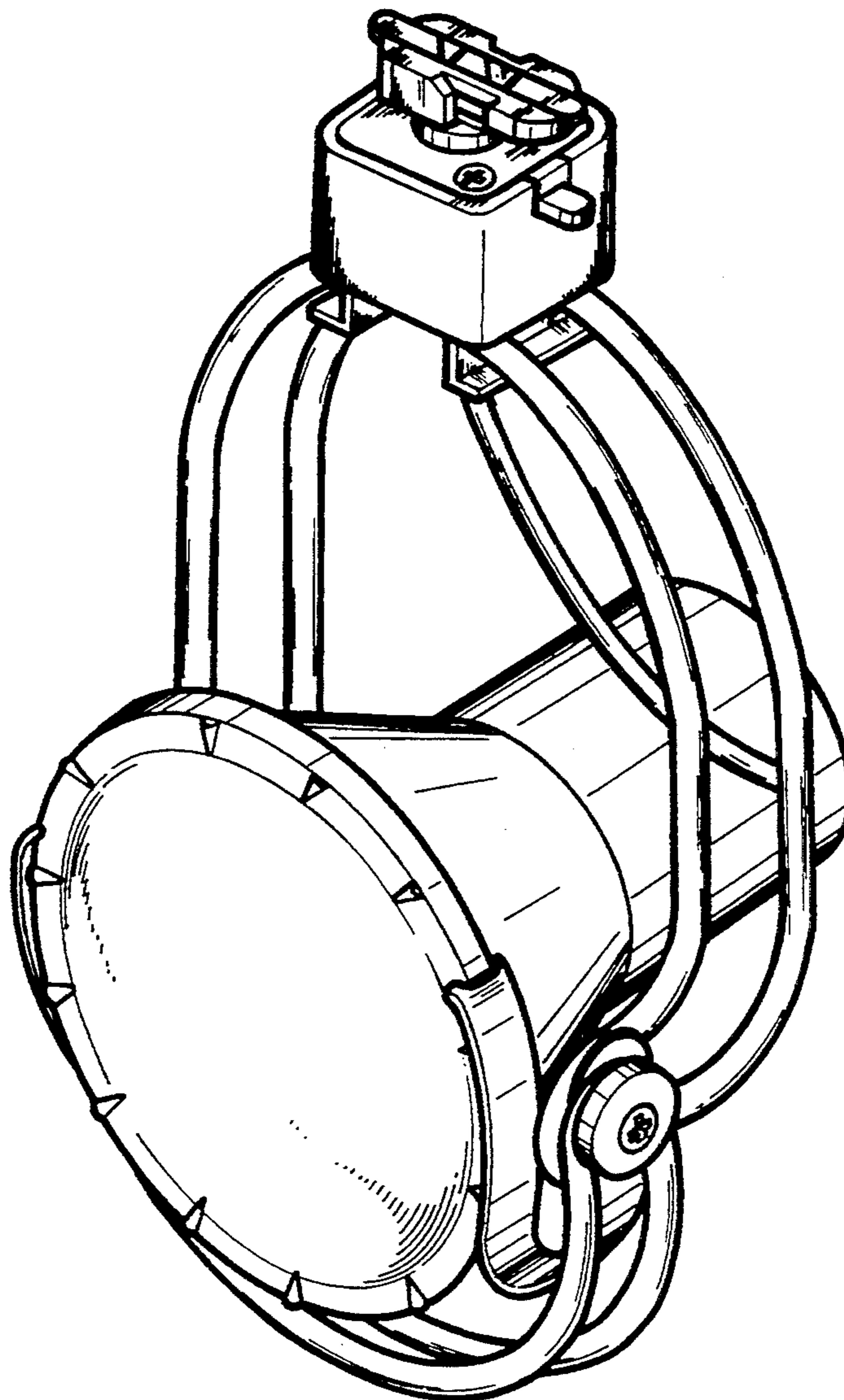
FIG. 3 is a rear elevational view thereof;

FIG. 4 is a left side elevational view thereof;

FIG. 5 is a right side elevational view thereof;

FIG. 6 is a top plan view thereof; and,

FIG. 7 is a bottom plan view thereof.



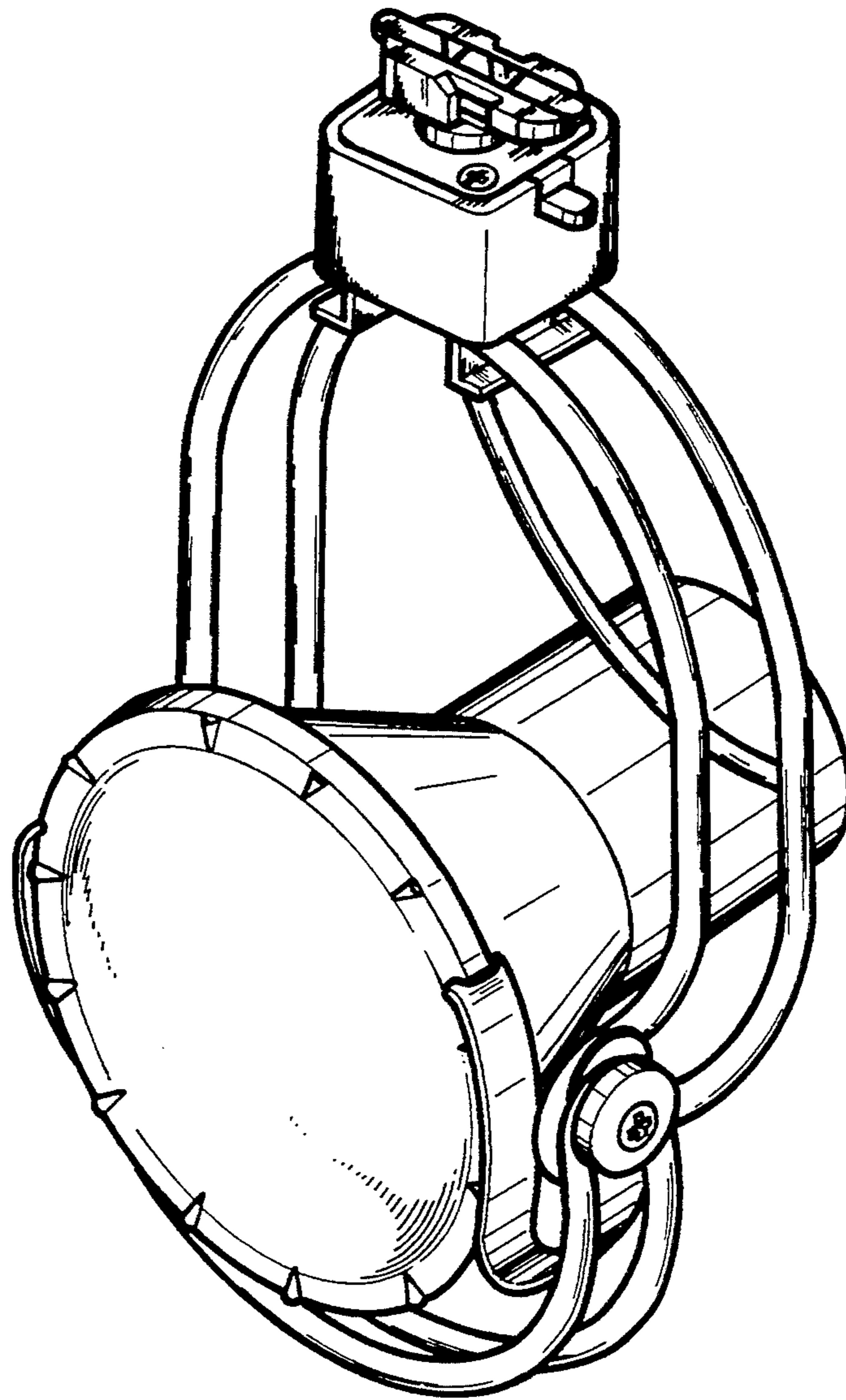


FIG. 1

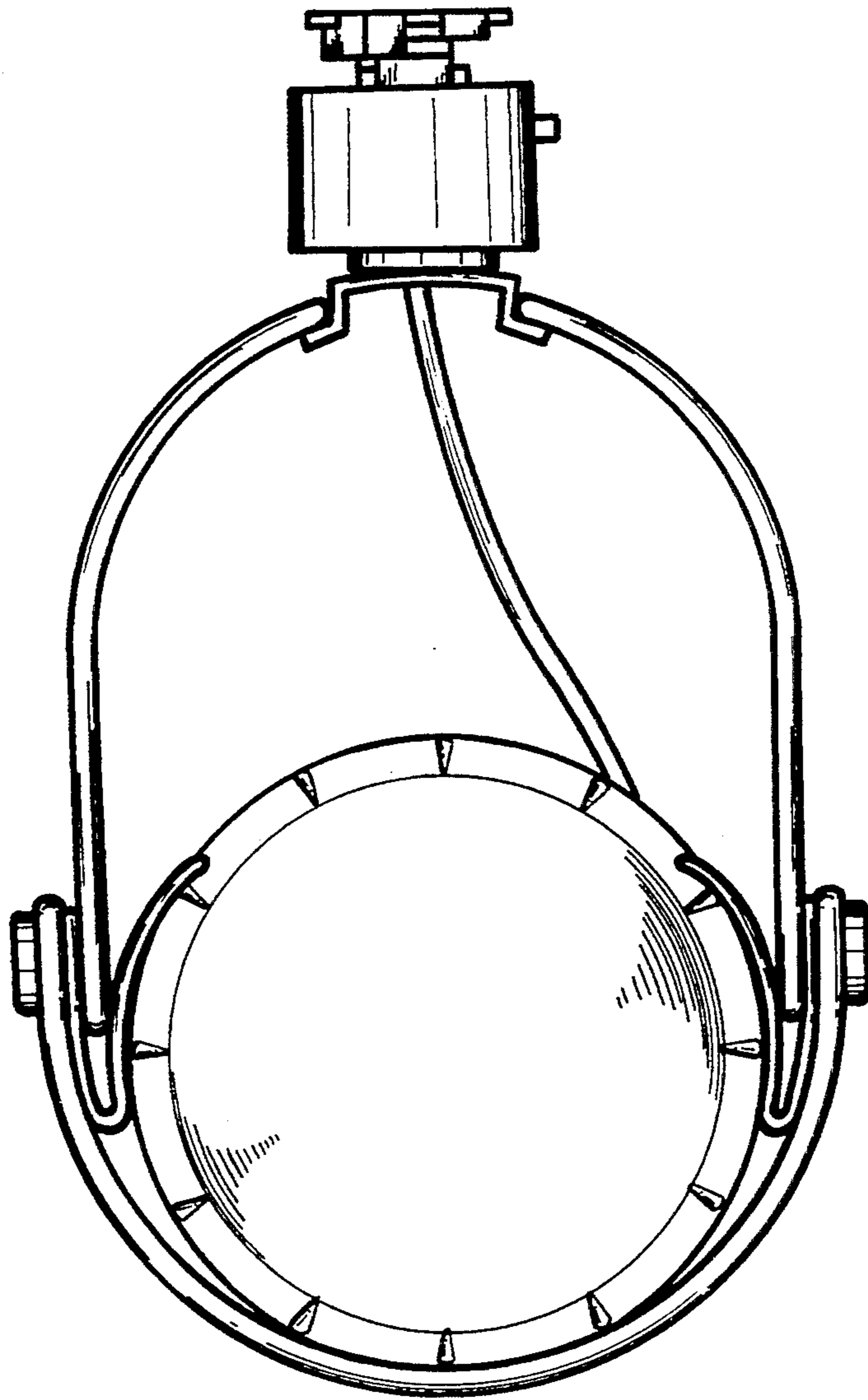


FIG. 2

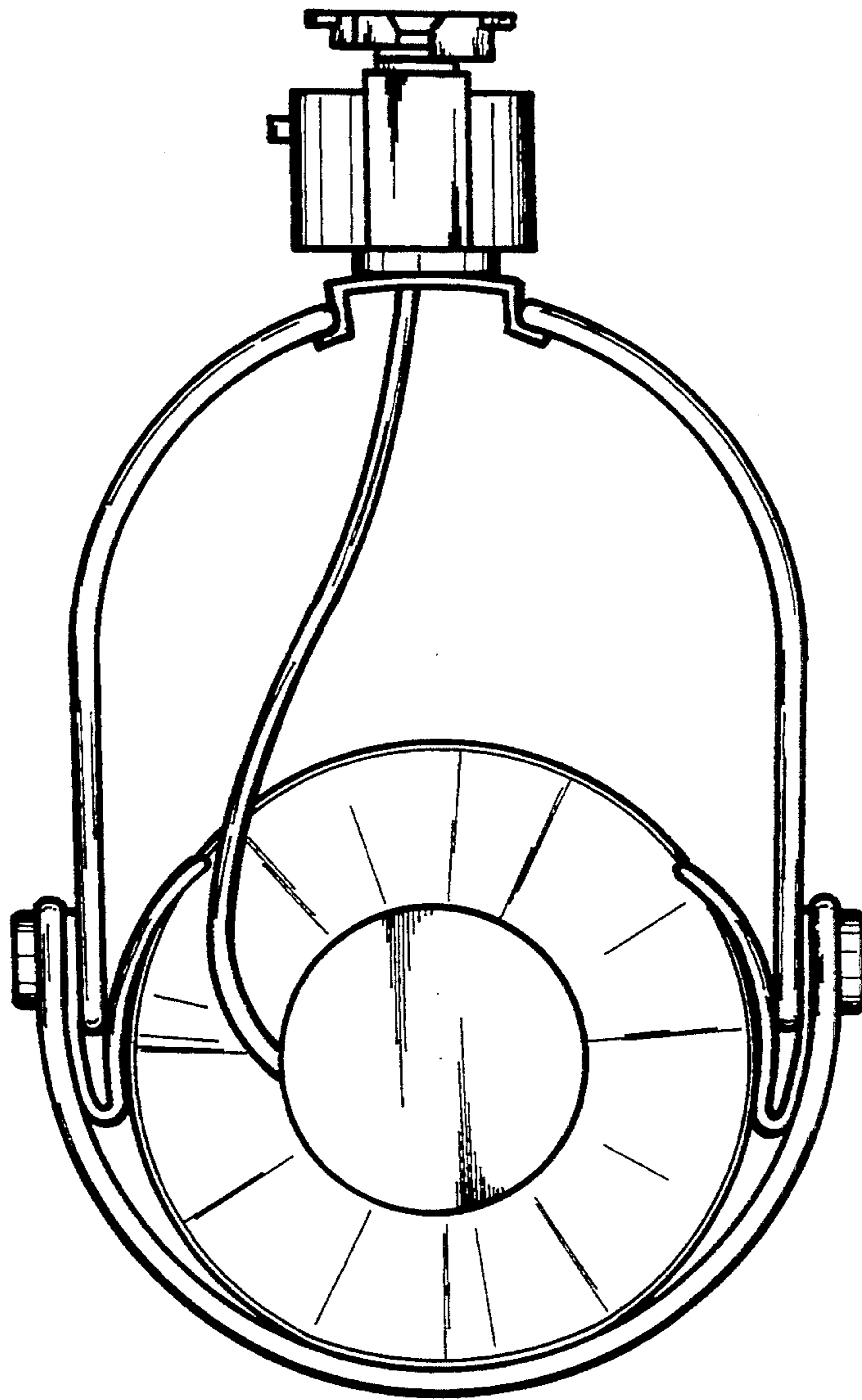


FIG. 3

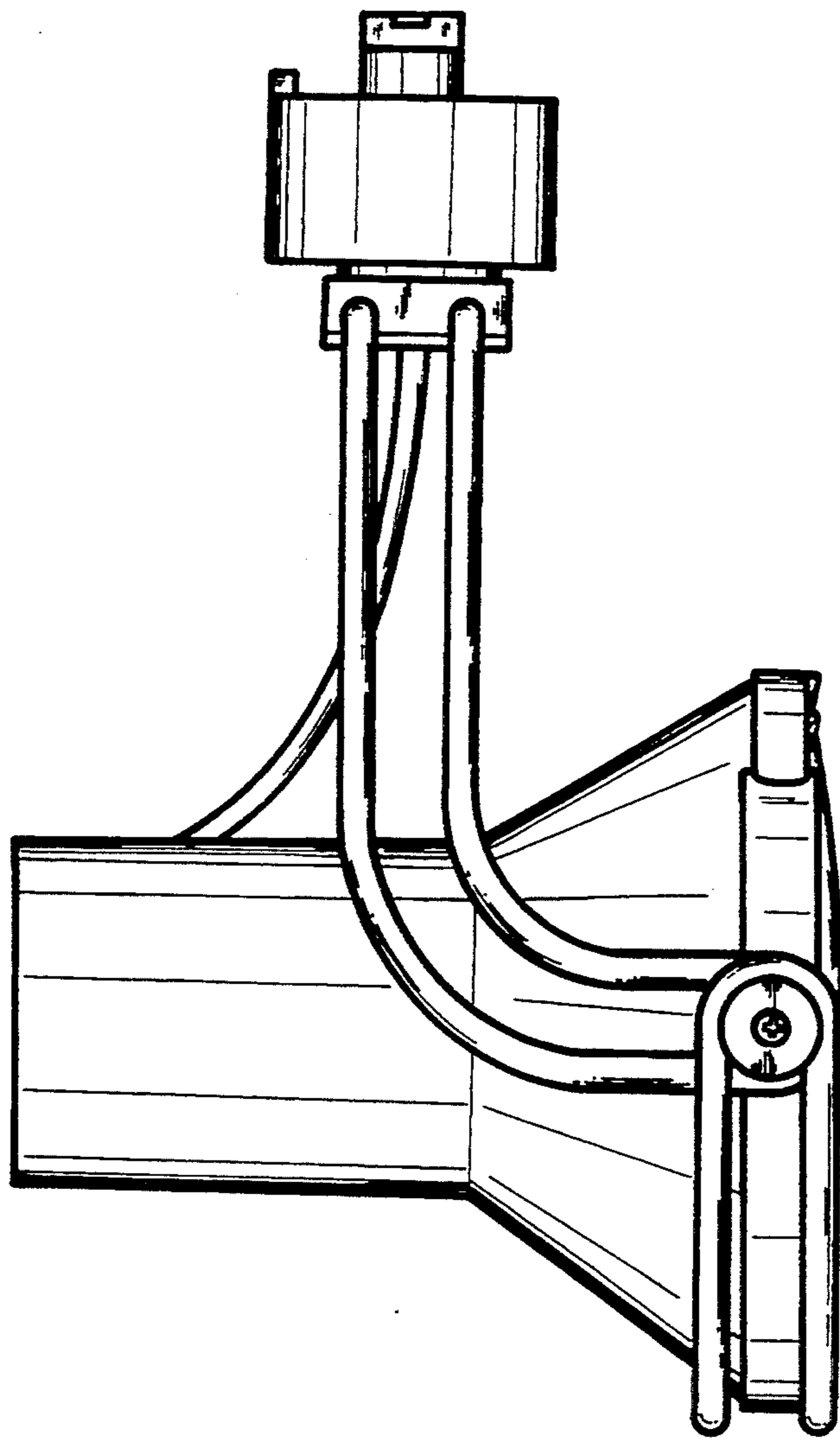


FIG. 4



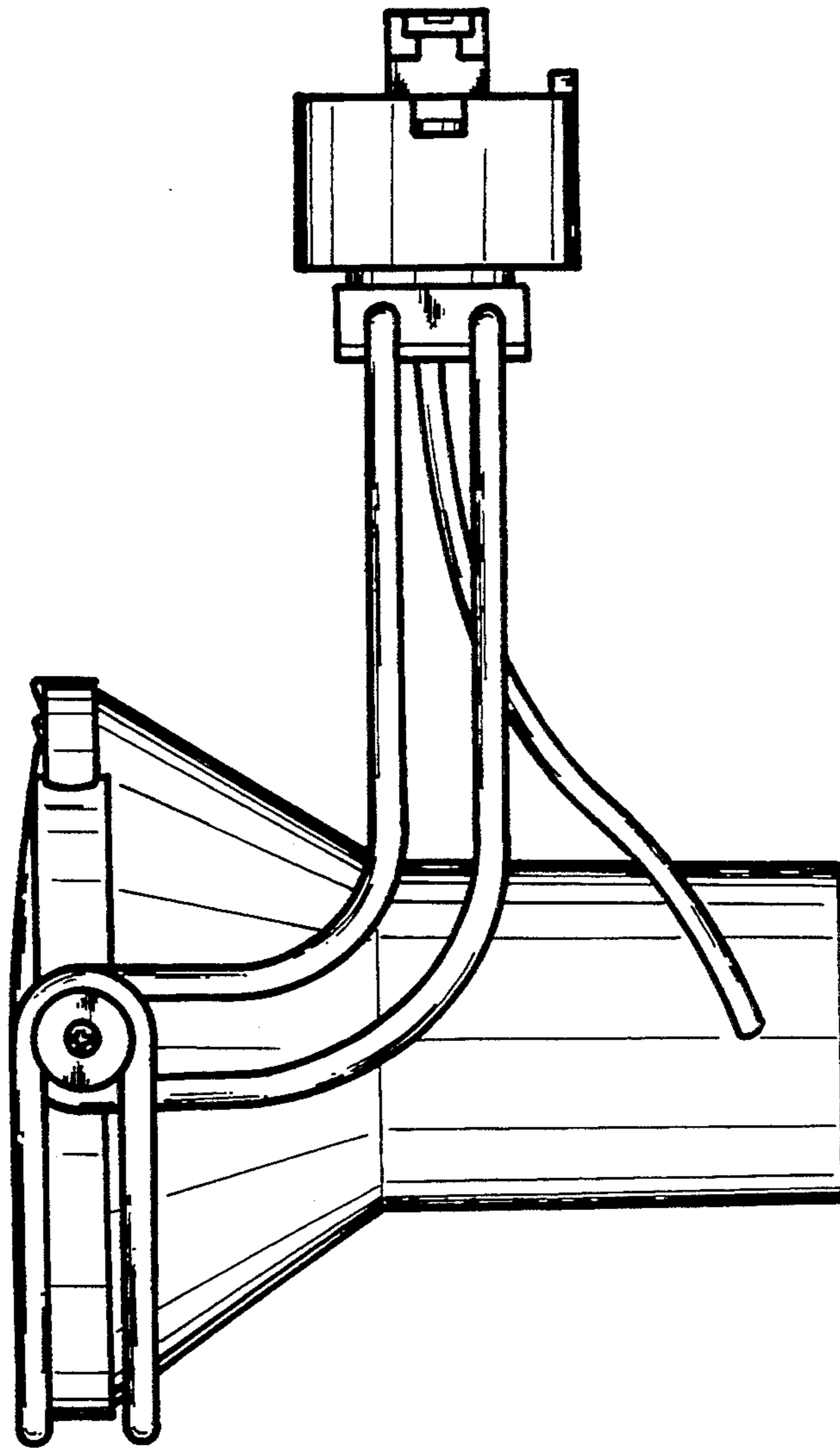


FIG. 5

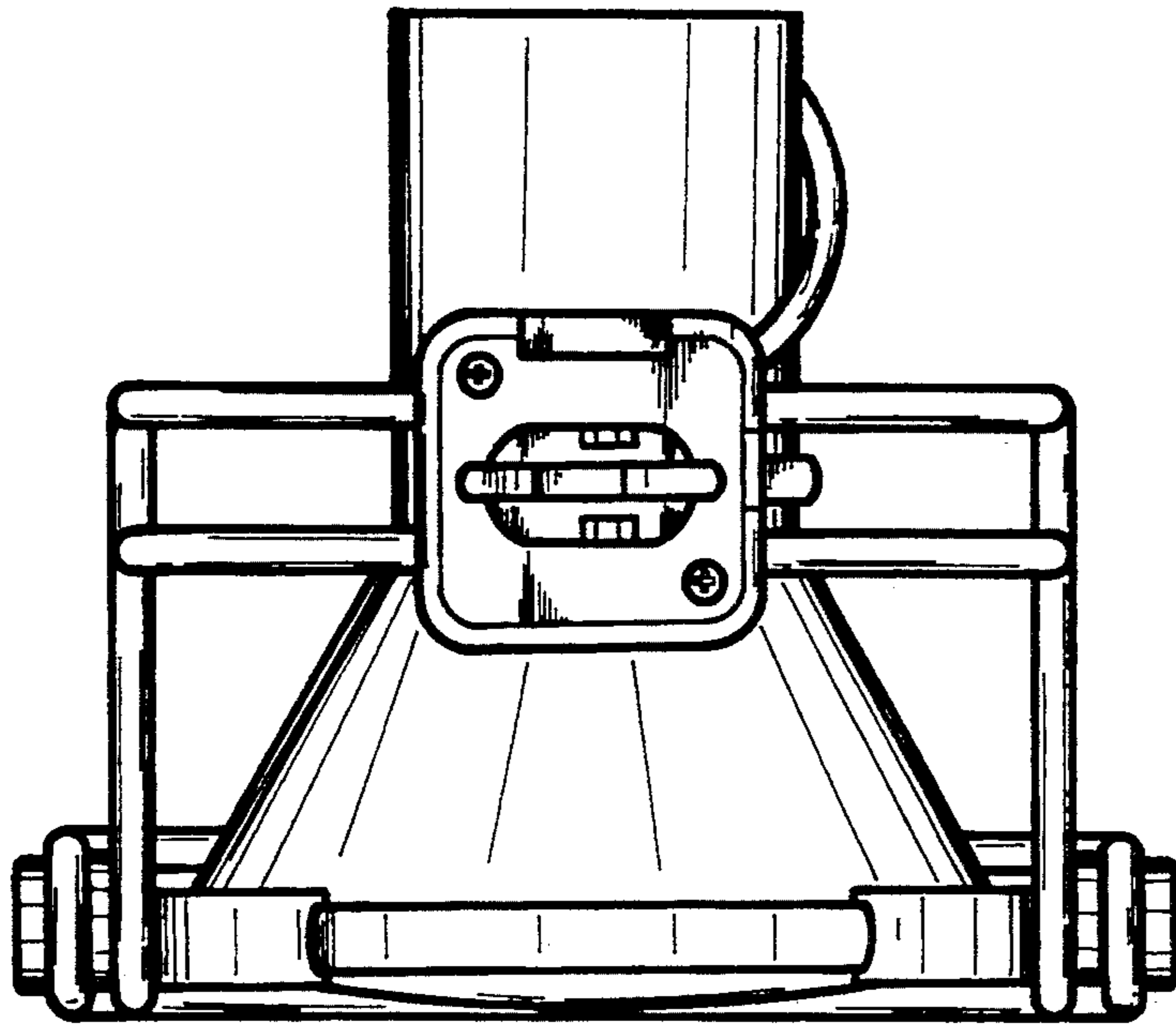


FIG. 6

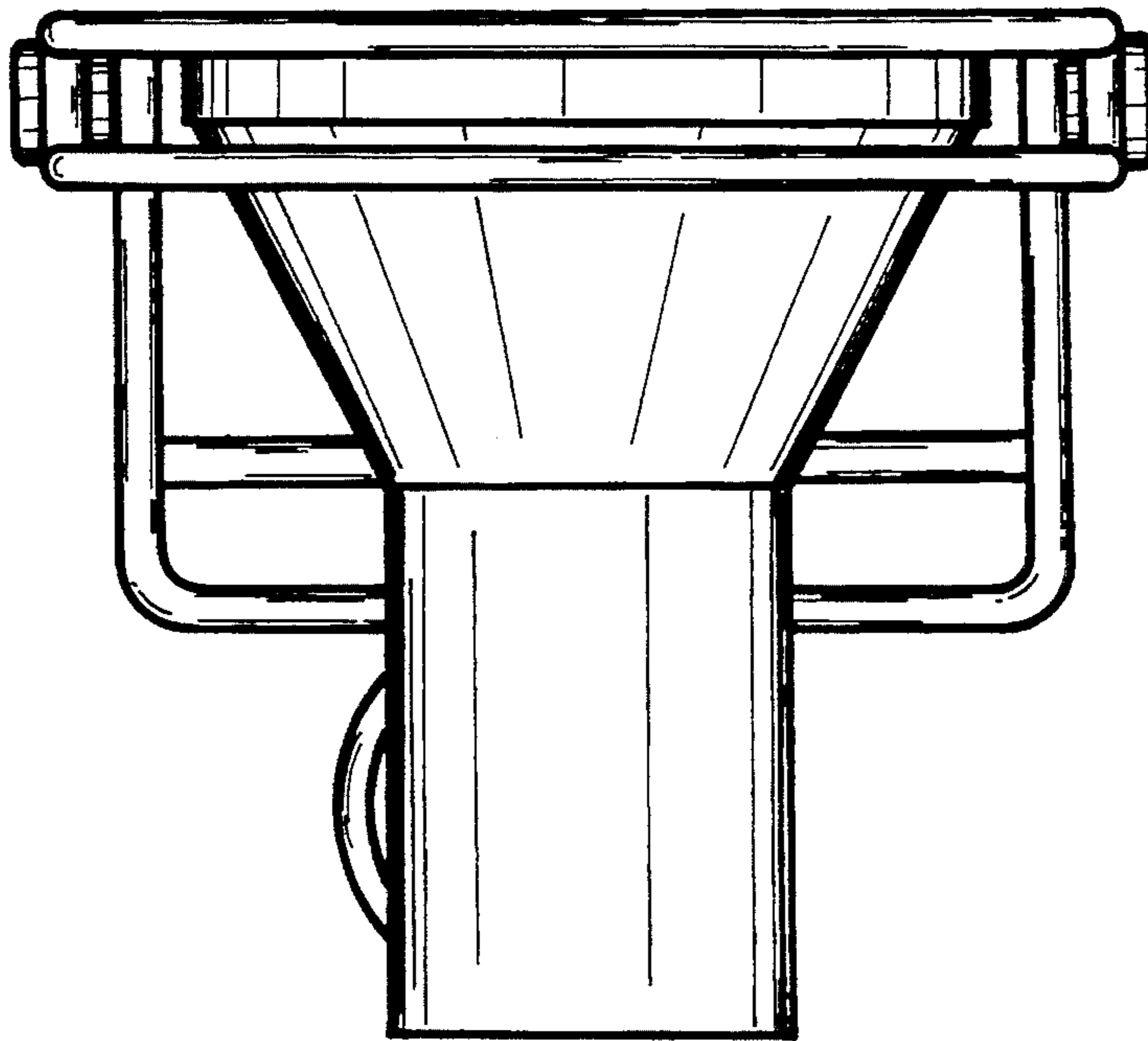


FIG. 7