



US00D358224S

United States Patent [19]

[11] Patent Number: **Des. 358,224**

Burns

[45] Date of Patent: **** May 9, 1995**

[54] FLASHLIGHT

D. 298,659 11/1988 Burns D26/46
D. 314,057 1/1991 Naldi D26/46

[75] Inventor: **Bruce Burns, Portland, Oreg.**

Primary Examiner—Susan J. Lucas
Attorney, Agent, or Firm—Shapiro and Shapiro

[73] Assignee: **Burns Bros., Inc., Portland, Oreg.**

[**] Term: **14 Years**

[57] CLAIM

[21] Appl. No.: **14,774**

The ornamental design for a flashlight, as shown and described.

[22] Filed: **Nov. 2, 1993**

[52] U.S. Cl. **D26/46**

[58] Field of Search **D26/37-50;**
362/157, 158, 183, 184, 187-191, 196-200

DESCRIPTION

[56] References Cited

U.S. PATENT DOCUMENTS

D. 281,280 11/1985 Schosser et al. D26/46

FIG. 1 is a side elevational view of a flashlight showing my new design, the opposite side being a mirror image; FIG. 2 is a top plan view thereof; FIG. 3 is a bottom plan view thereof; FIG. 4 is a front elevational view thereof; and, FIG. 5 is a rear elevational view thereof.

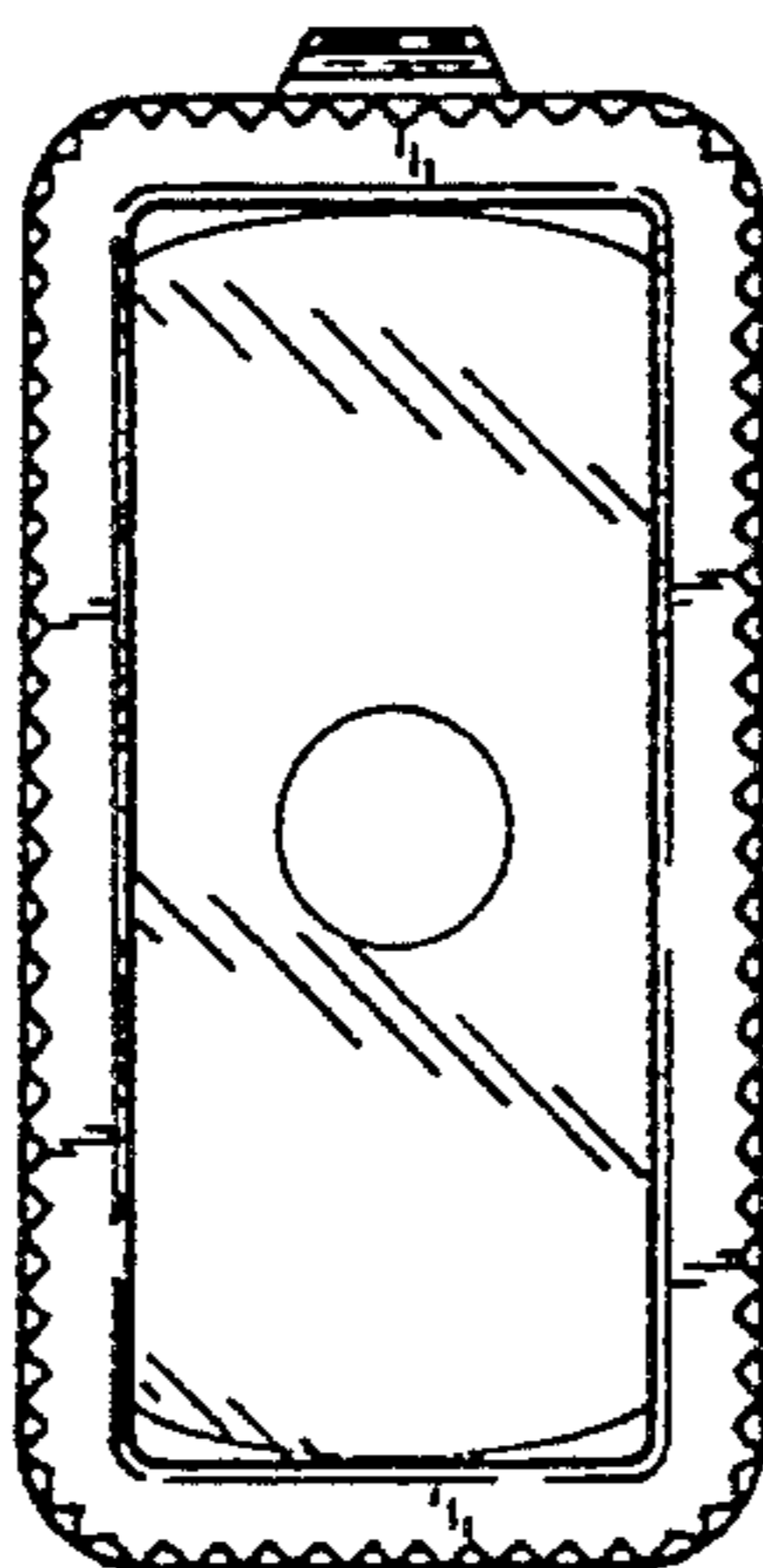
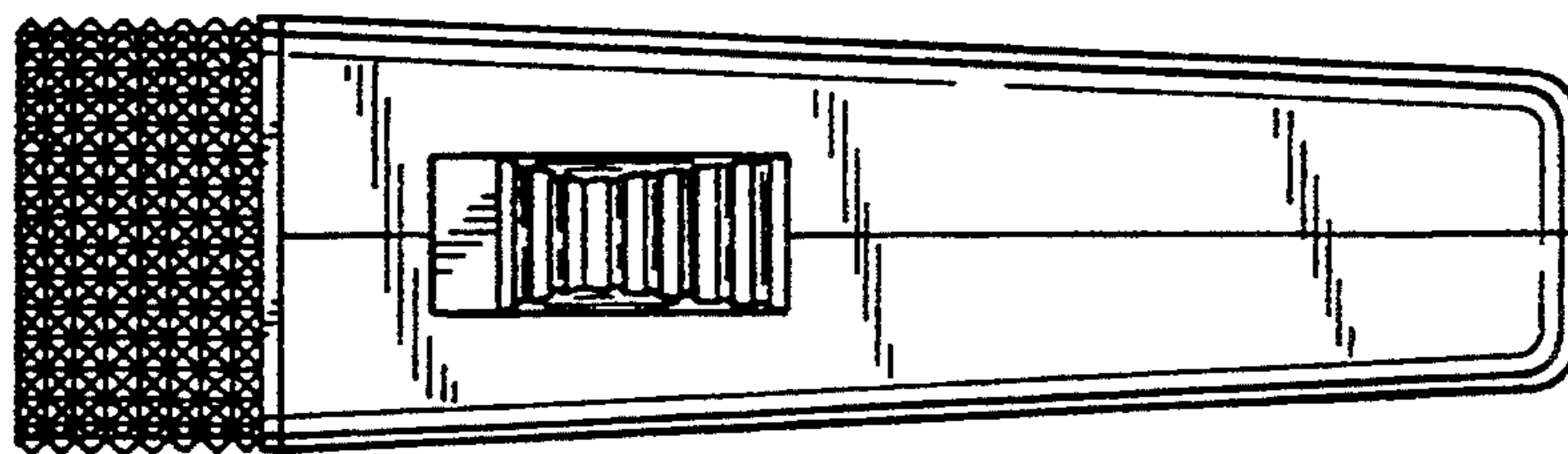
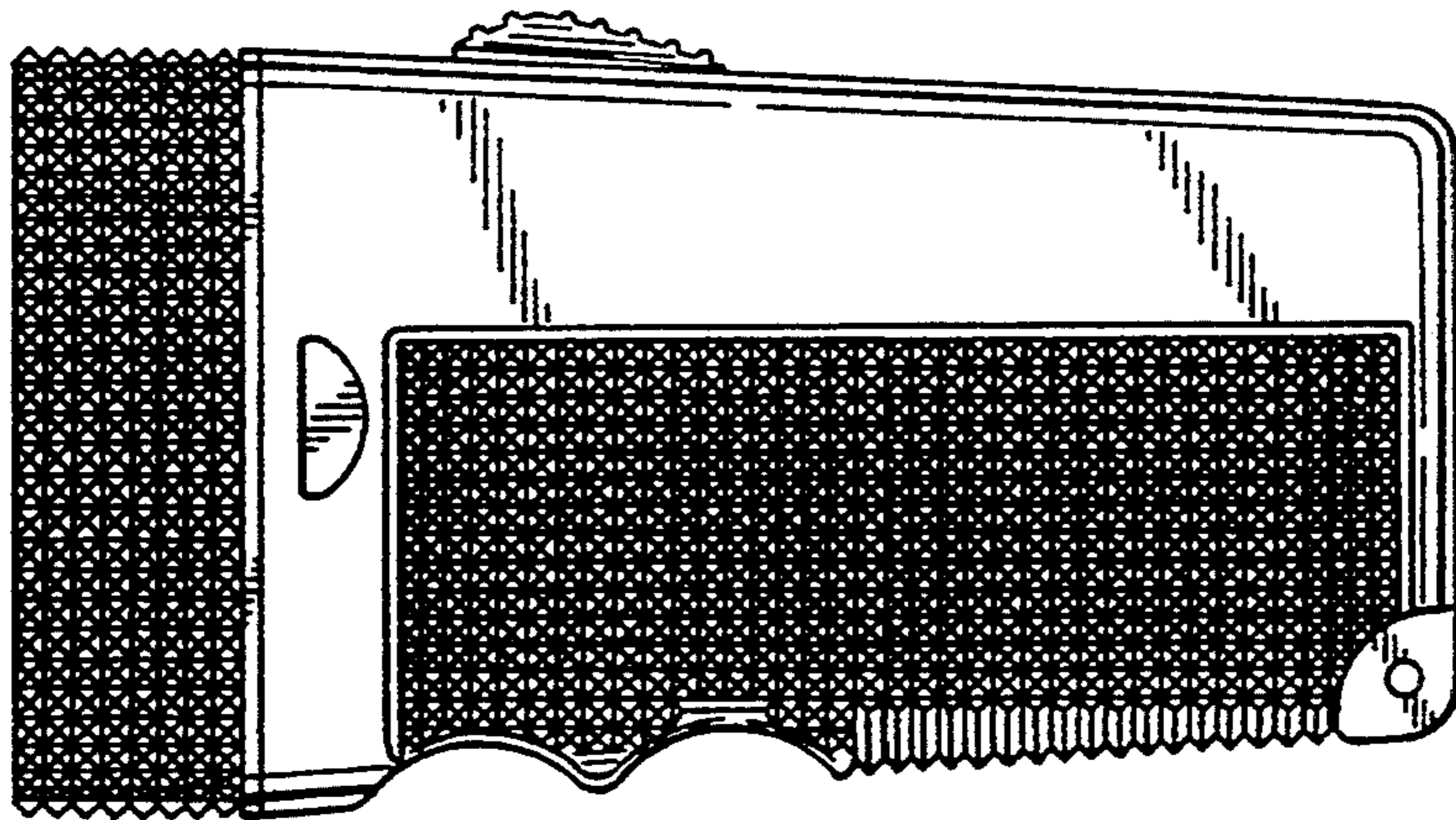


FIG. 1

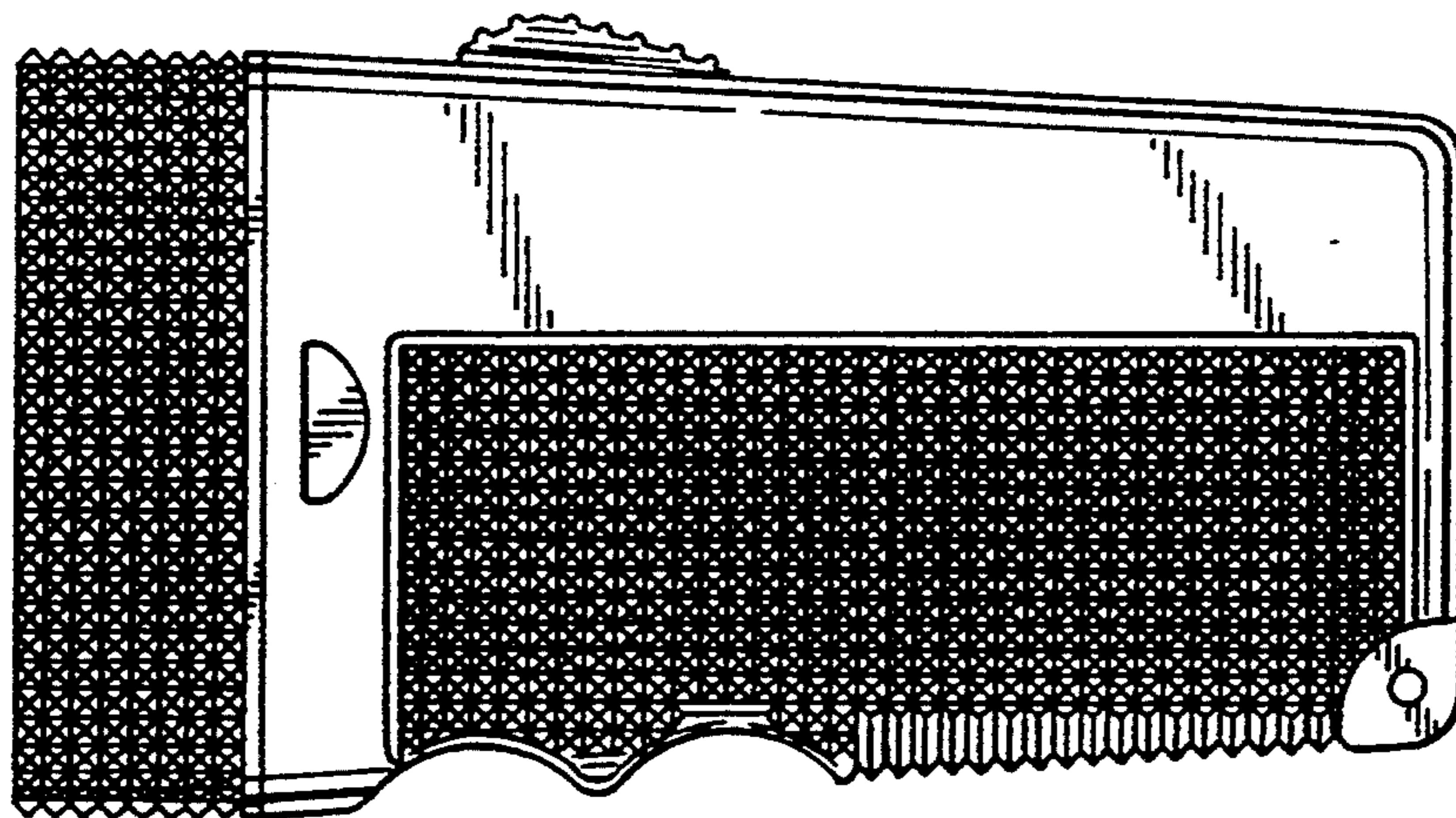


FIG. 2

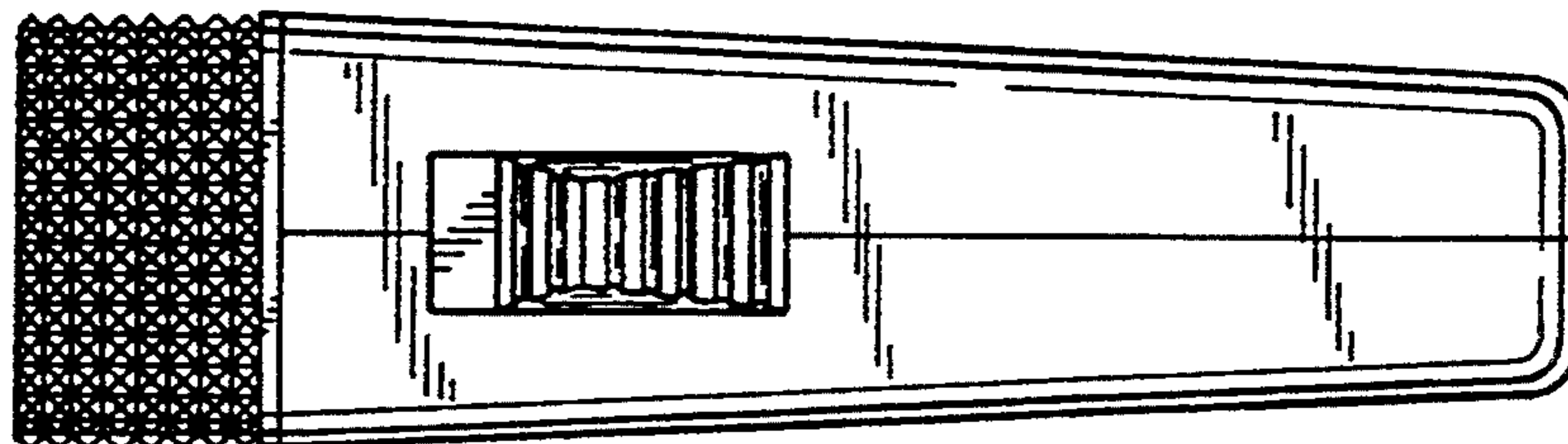


FIG. 3

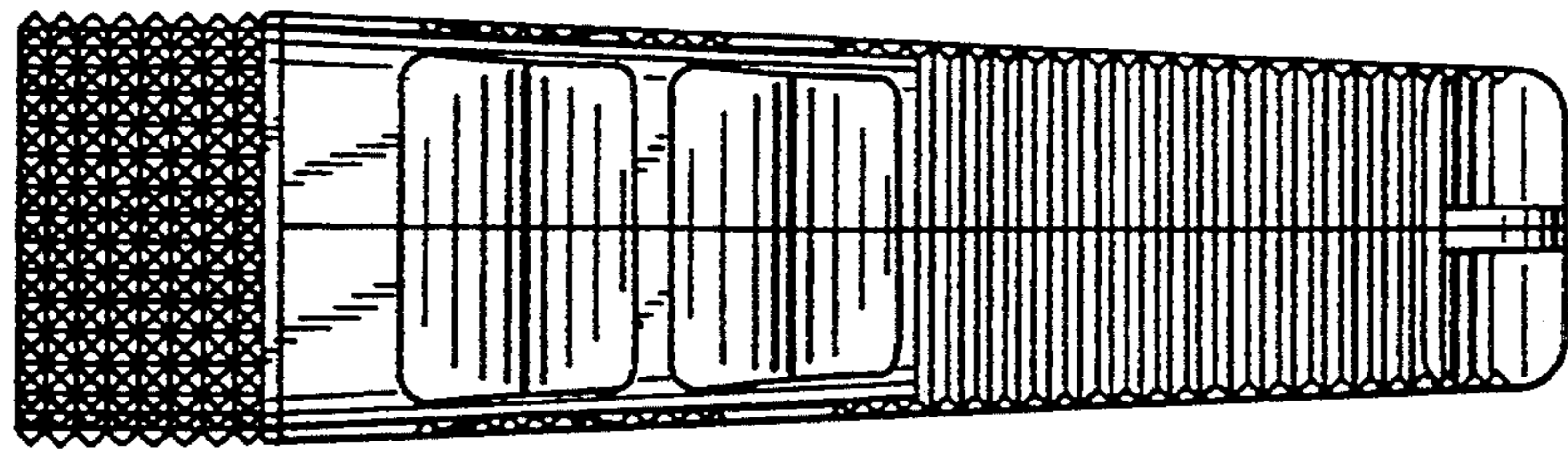


FIG. 4

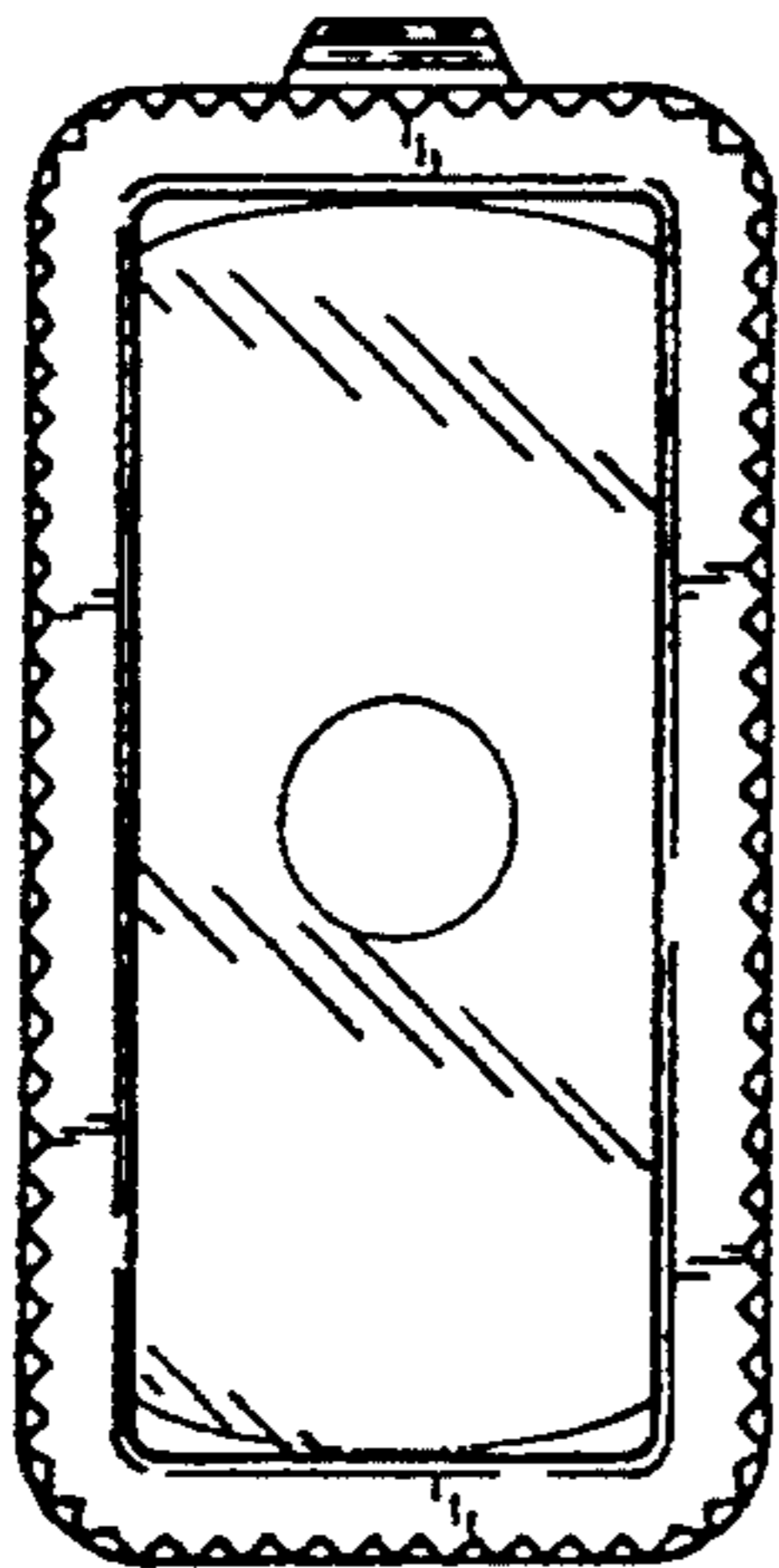


FIG. 5

