



US00D358223S

United States Patent [19]

Ferrell et al.

[11] Patent Number: **Des. 358,223**

[45] Date of Patent: **** May 9, 1995**

[54] TRAVEL NIGHT LIGHT

D. 310,080 8/1990 Sato D26/38 X
4,974,130 11/1990 Friedman 362/200 X

[75] Inventors: **Allen J. Ferrell**, Denver, Colo.; **Allan C. Branch**, Cambridge, Australia

Primary Examiner—Susan J. Lucas
Attorney, Agent, or Firm—Gregory W. O'Connor

[73] Assignee: **Samsonite Corporation**, Denver, Colo.

[**] Term: **14 Years**

[57] **CLAIM**

The ornamental design for a travel night light, as shown and described.

[21] Appl. No.: **14,929**

[22] Filed: **Nov. 3, 1993**

[52] U.S. Cl. **D26/37**

[58] Field of Search **D26/24, 37-50, D26/63, 60; 362/183, 184, 157, 158, 187-191, 196-200, 269, 275, 418, 419, 427; D10/15, 18**

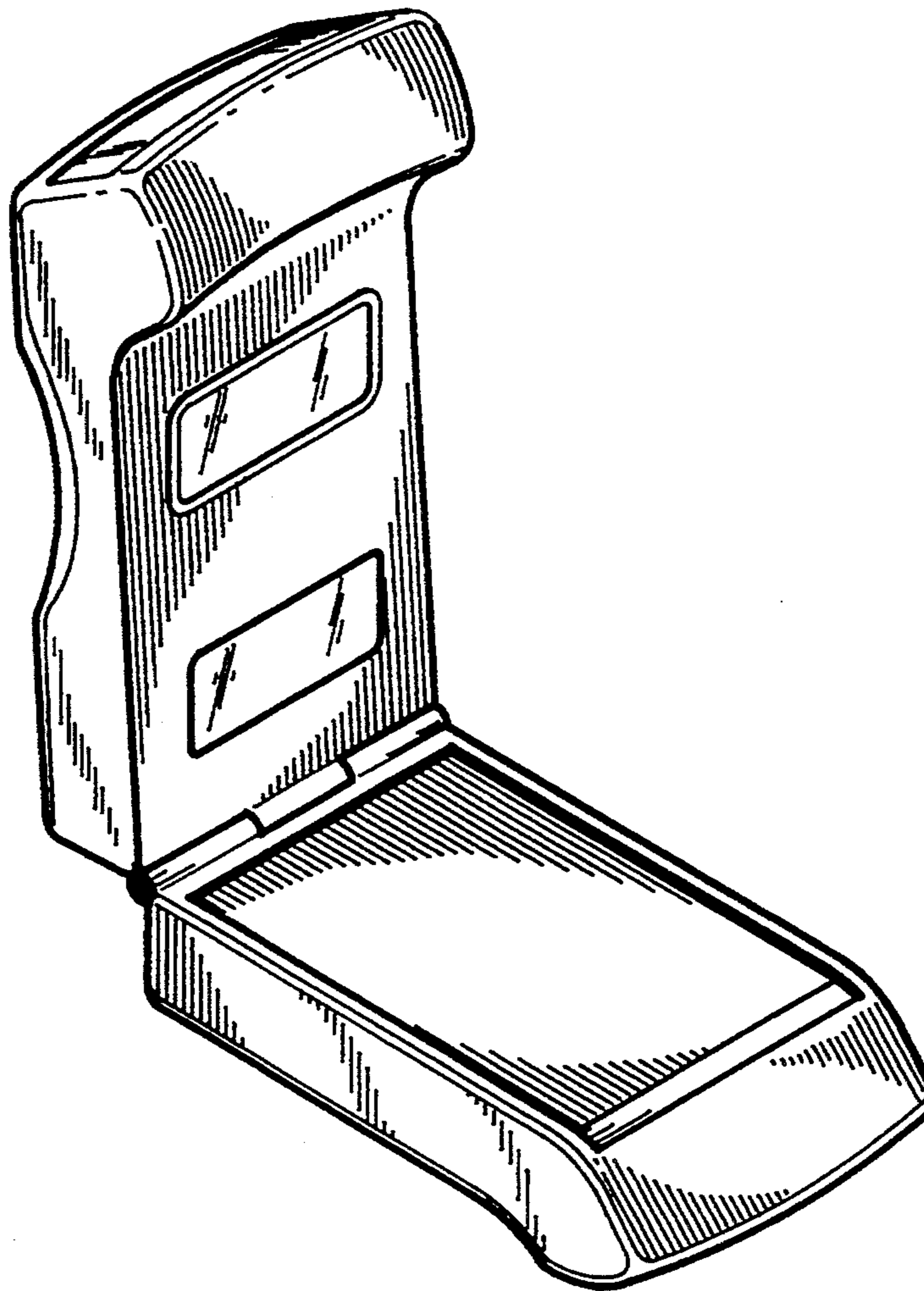
DESCRIPTION

FIG. 1 is a perspective view from the upper left of the travel night light in the open position; FIG. 2 is a left side view thereof; FIG. 3 is a front view thereof; FIG. 4 is a side view showing the side opposite that shown in FIG. 2; FIG. 5 is a back view thereof; FIG. 6 is a top view thereof; and, FIG. 7 is a bottom view thereof.

[56] **References Cited**

U.S. PATENT DOCUMENTS

D. 302,321 7/1989 Charet D26/37



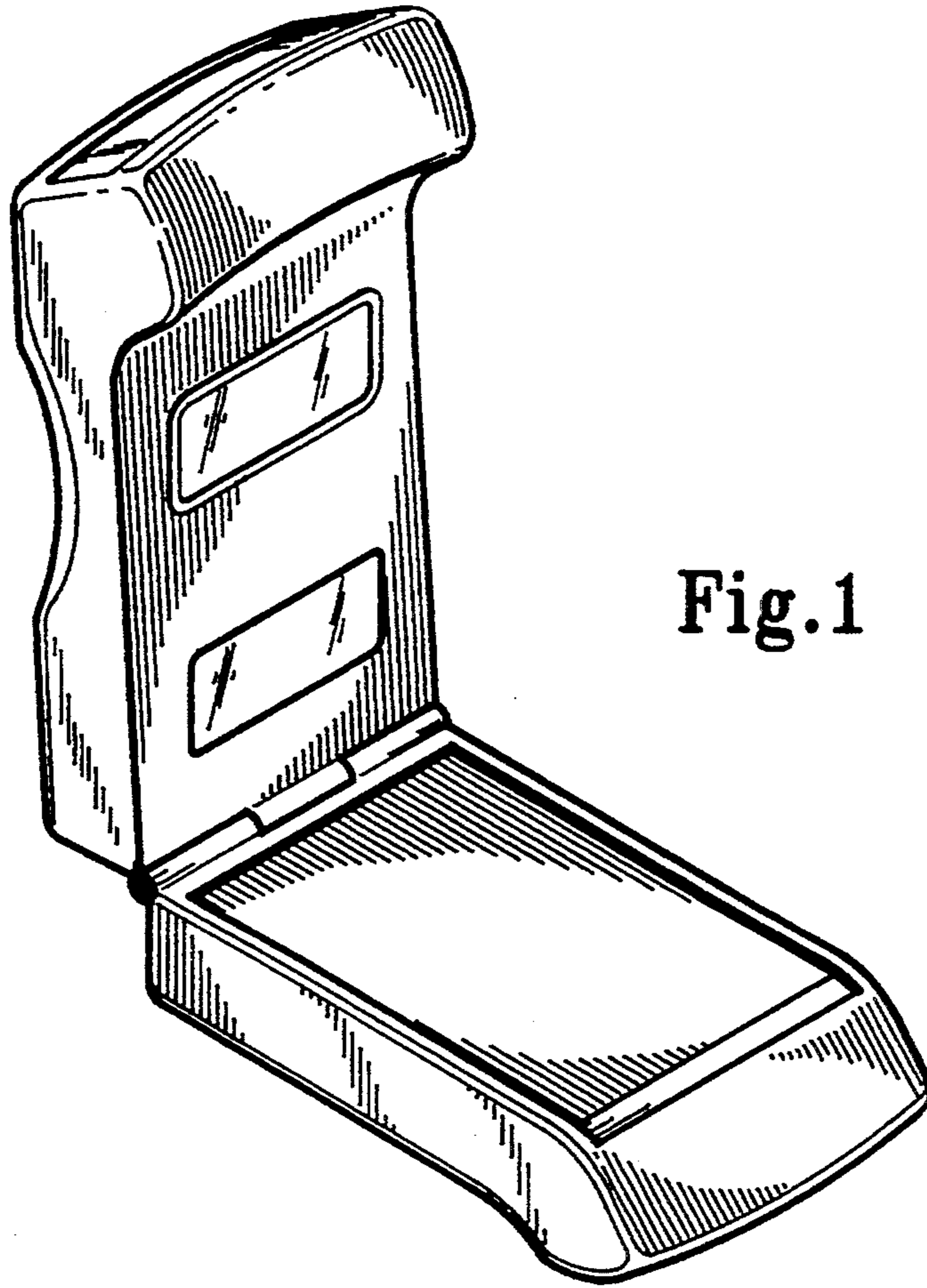


Fig. 1

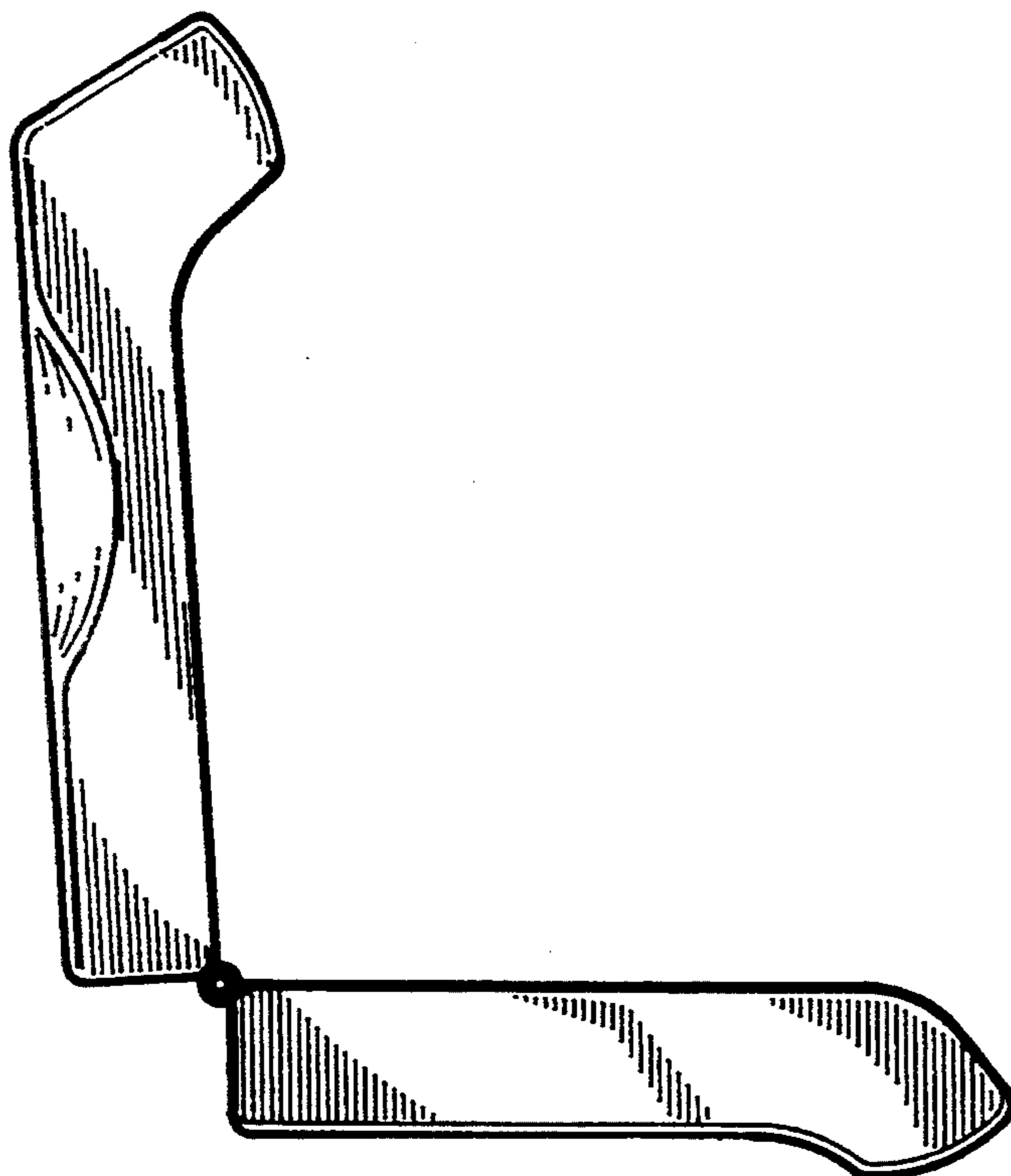


Fig. 2

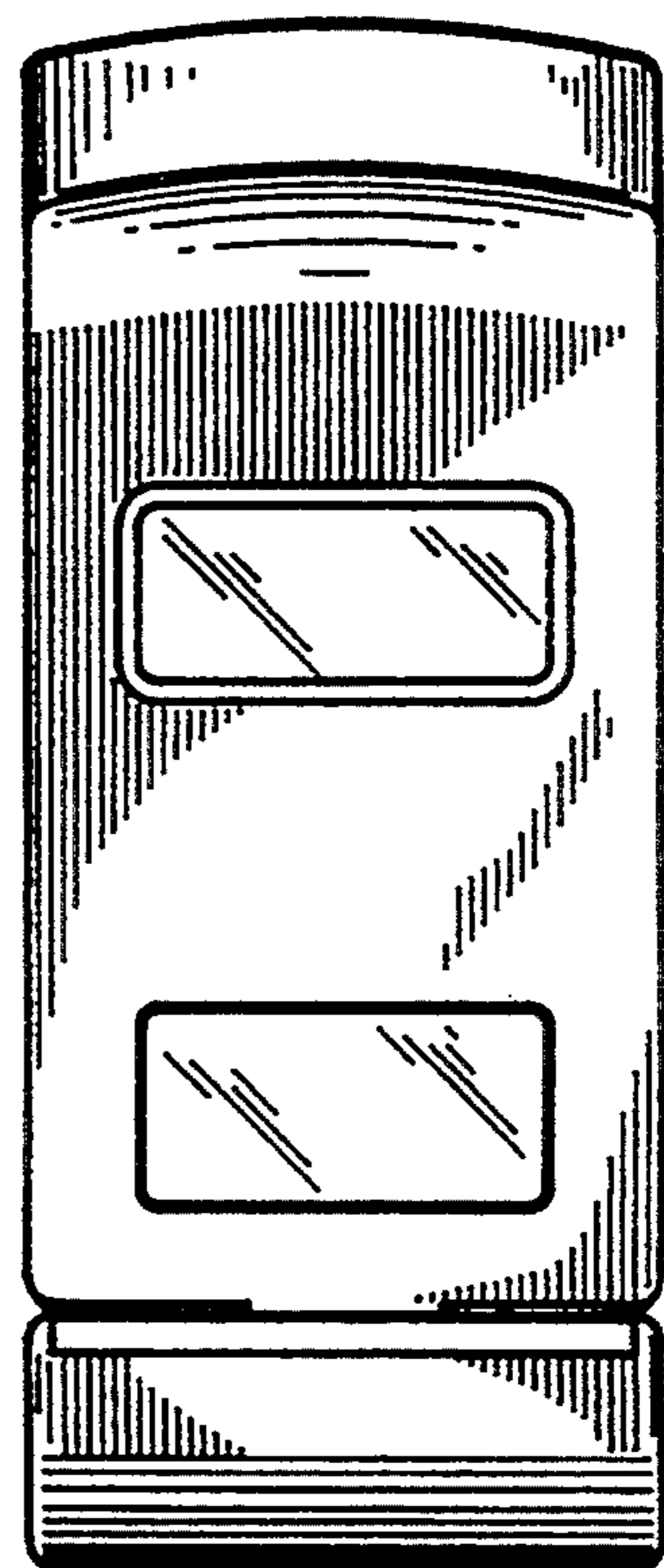


Fig. 3

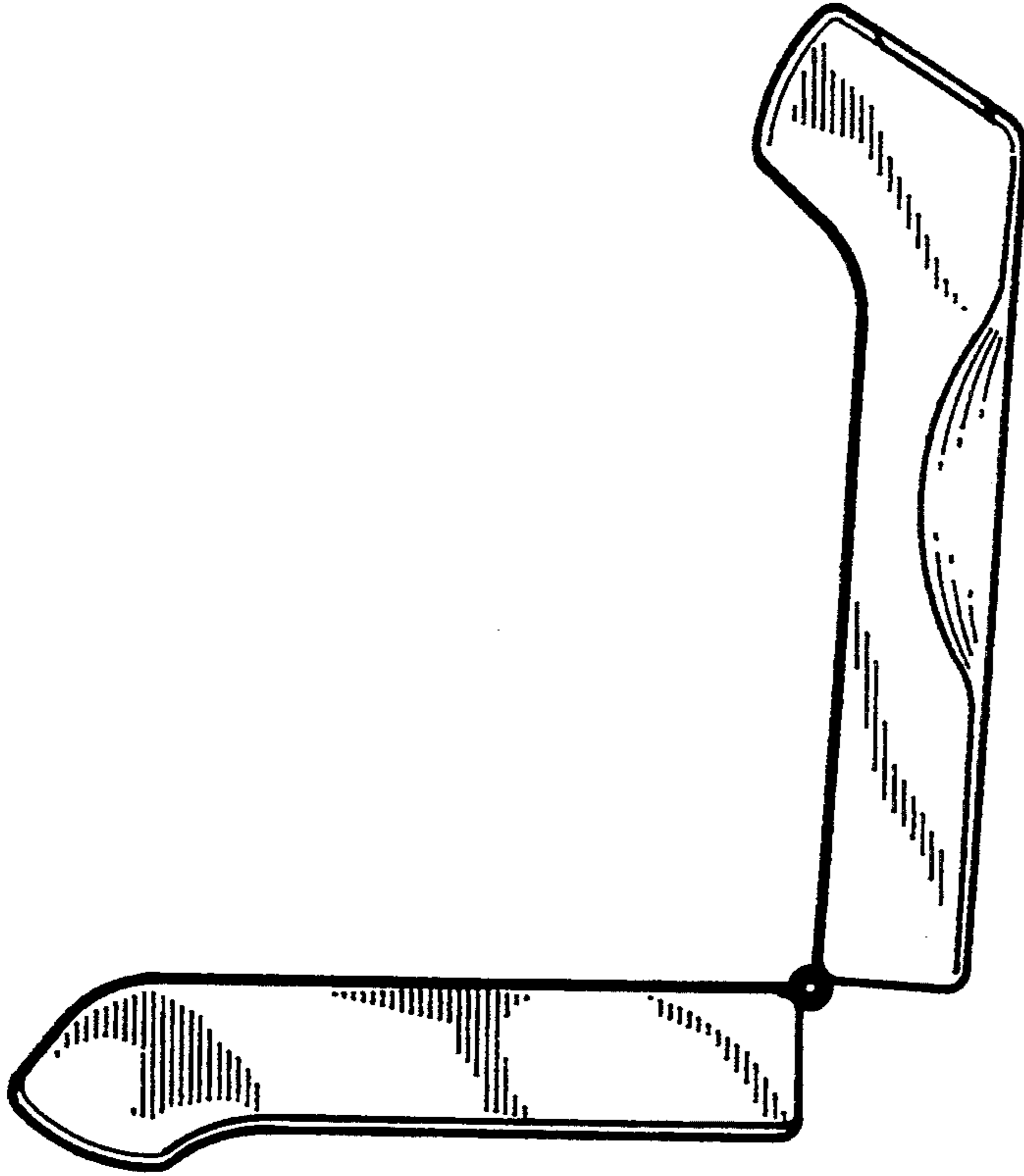


Fig.4

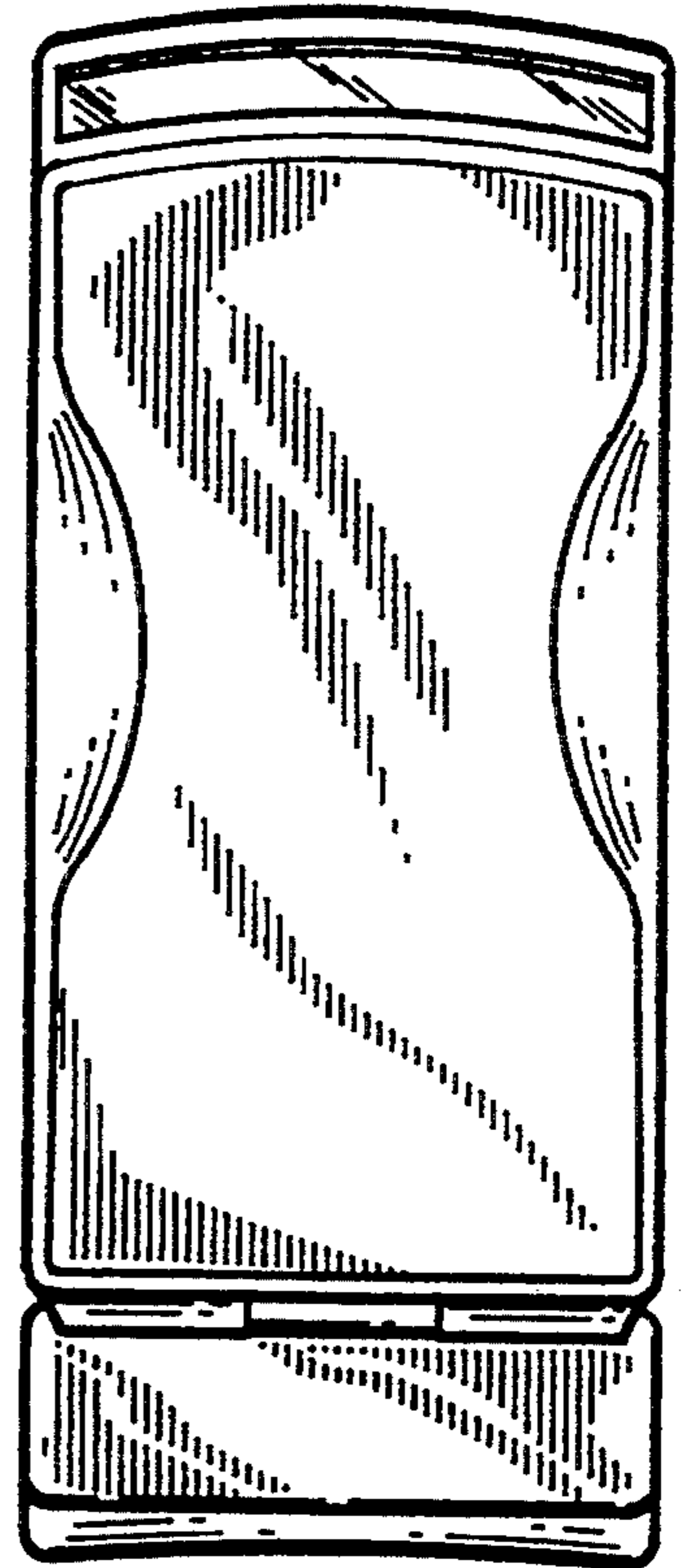


Fig.5

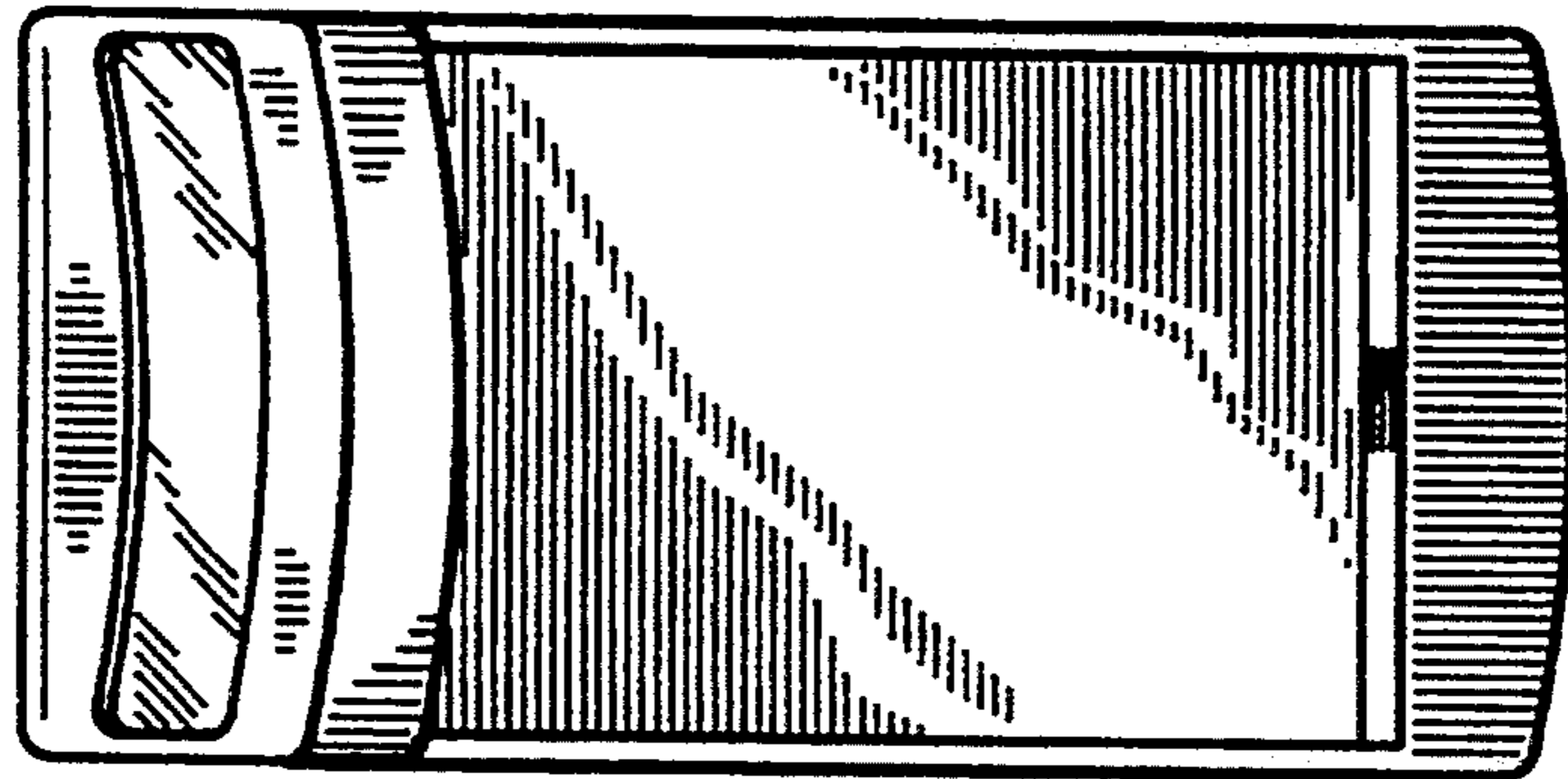


Fig.6

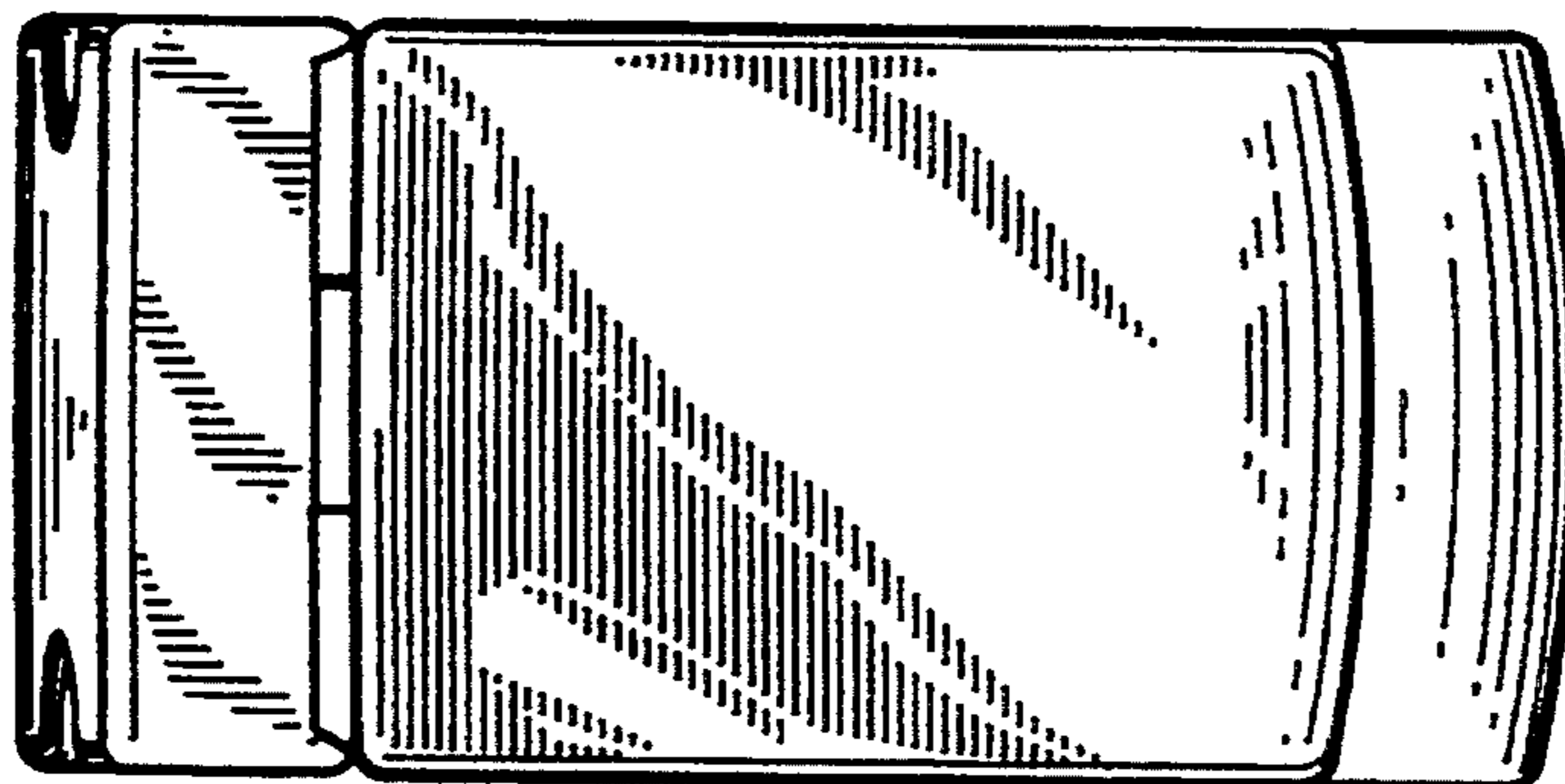


Fig.7