



US00D358221S

**United States Patent** [19]  
**Perkins**

[11] **Patent Number: Des. 358,221**  
[45] **Date of Patent: \*\* May 9, 1995**

[54] **OIL LAMP**

[75] **Inventor: David R. Perkins, Manchester, Mass.**

[73] **Assignee: Glass Dimensions, Inc., Essex, Mass.**

[\*\*] **Term: 14 Years**

[21] **Appl. No.: 4,823**

[22] **Filed: Feb. 16, 1993**

[52] **U.S. Cl. .... D26/11**

[58] **Field of Search ..... D26/11, 6, 7, 9, 10,  
D26/16, 20, 22, 23; 362/161, 162, 163;  
431/288-293, 310, 311, 320, 126**

[56] **References Cited**

**U.S. PATENT DOCUMENTS**

- D. 317,052 5/1991 Perkins .
- D. 331,633 12/1992 Perkins .

**OTHER PUBLICATIONS**

The Gift & Decorative Accessory Buyers Directory-p. 35, 1979 item "Candle Lite and Roses".

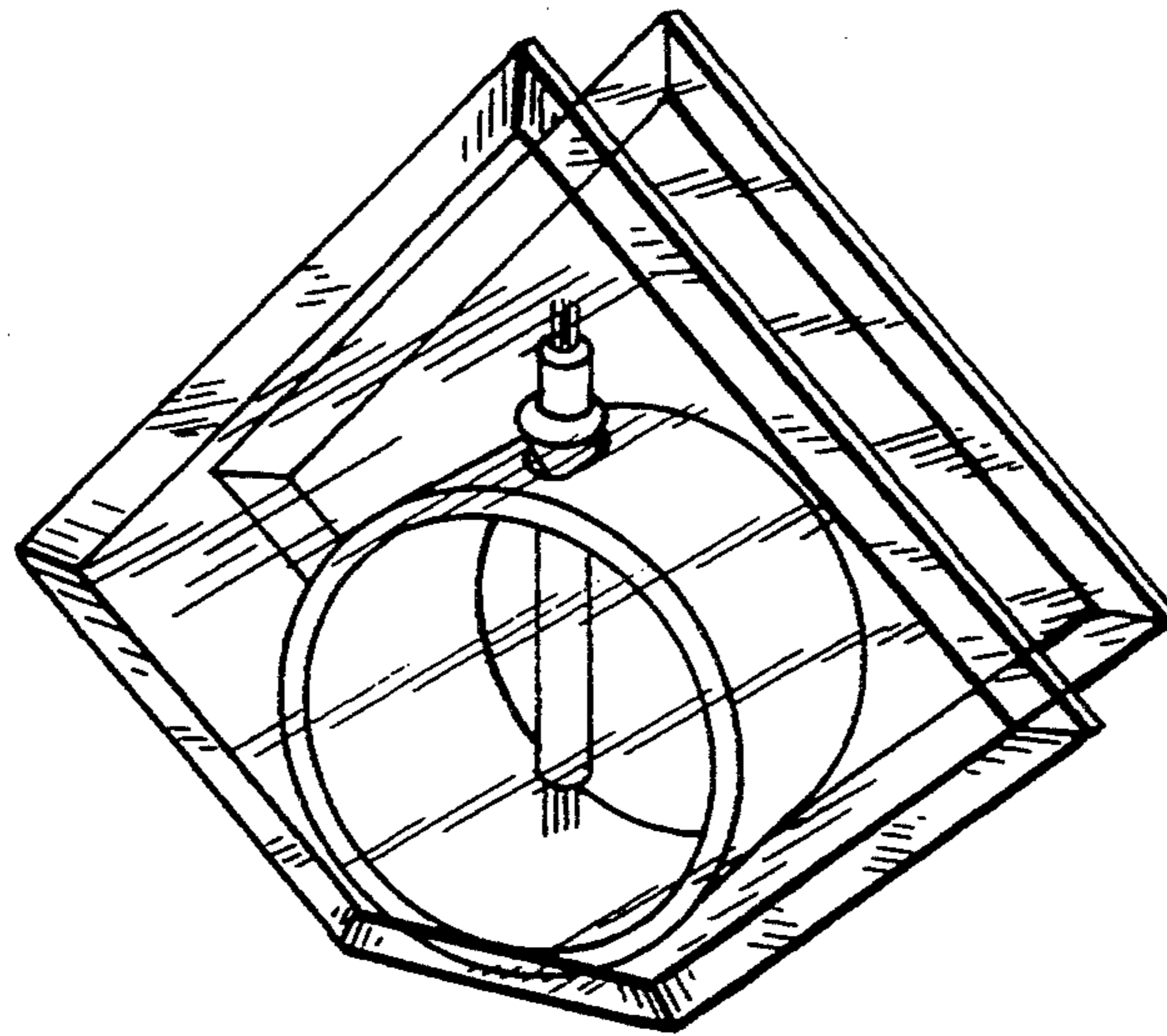
*Primary Examiner*—Wallace R. Burke  
*Assistant Examiner*—Robin V. Taylor  
*Attorney, Agent, or Firm*—Cesari and McKenna

[57] **CLAIM**

The ornamental design for an oil lamp, as shown.

**DESCRIPTION**

FIG. 1 is a left front perspective view of an oil lamp embodying my design;  
FIG. 2 is a rear elevational view thereof, the front view being a mirror image thereof;  
FIG. 3 is a top plan view thereof;  
FIG. 4 is a right side elevational view thereof, the left side view being a mirror image thereof; and,  
FIG. 5 is a bottom plan view thereof.



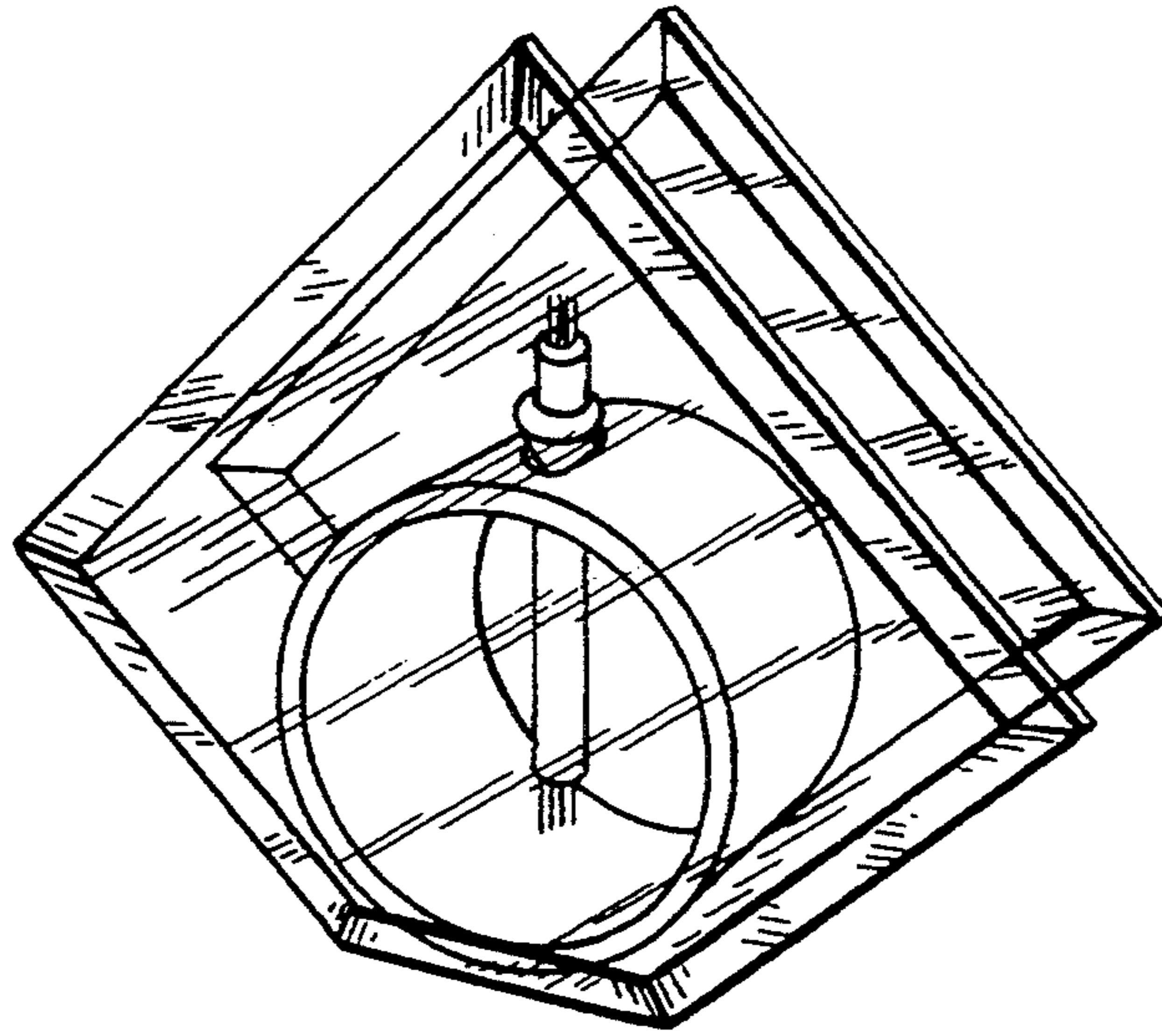


FIG. 1

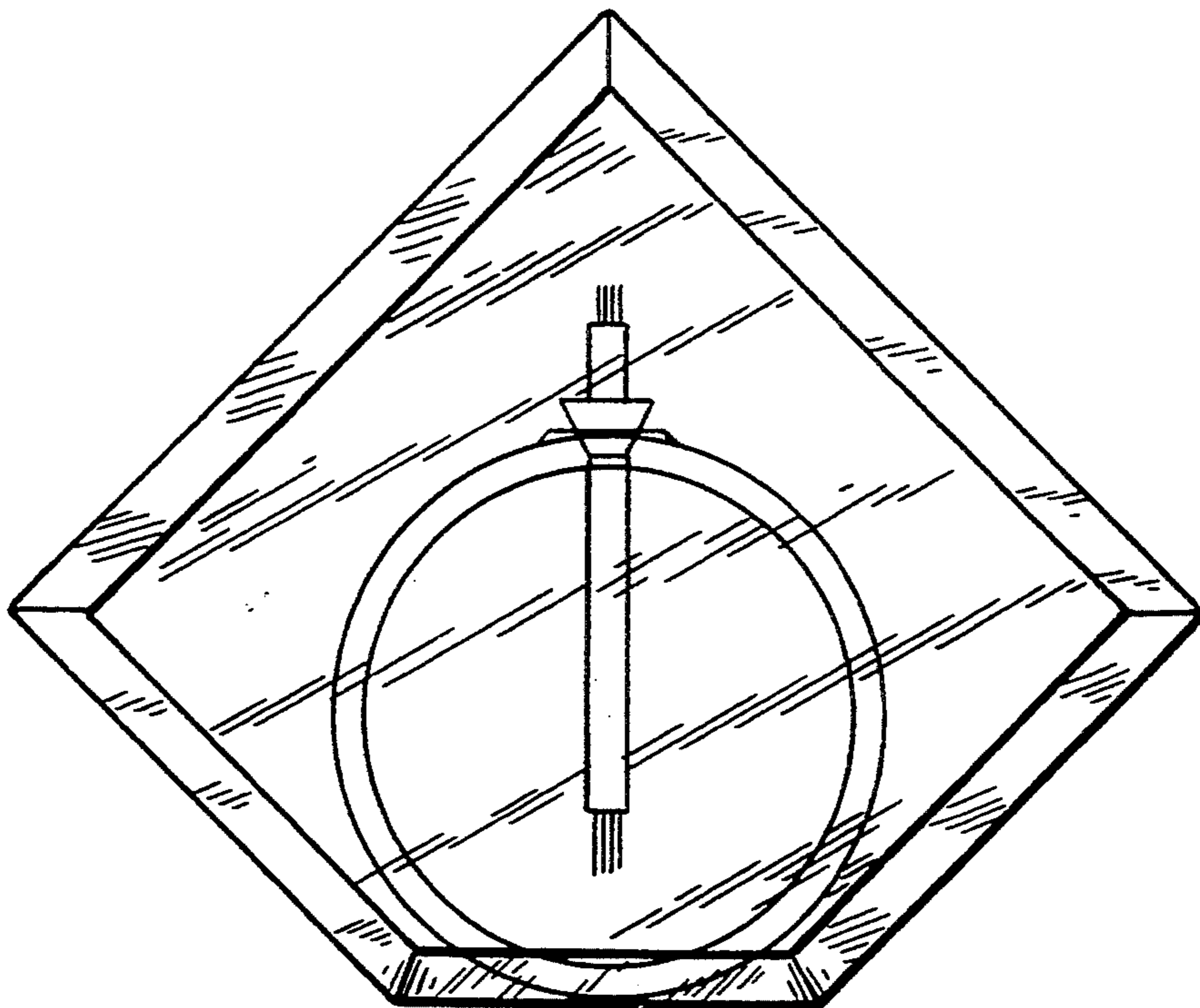


FIG. 2

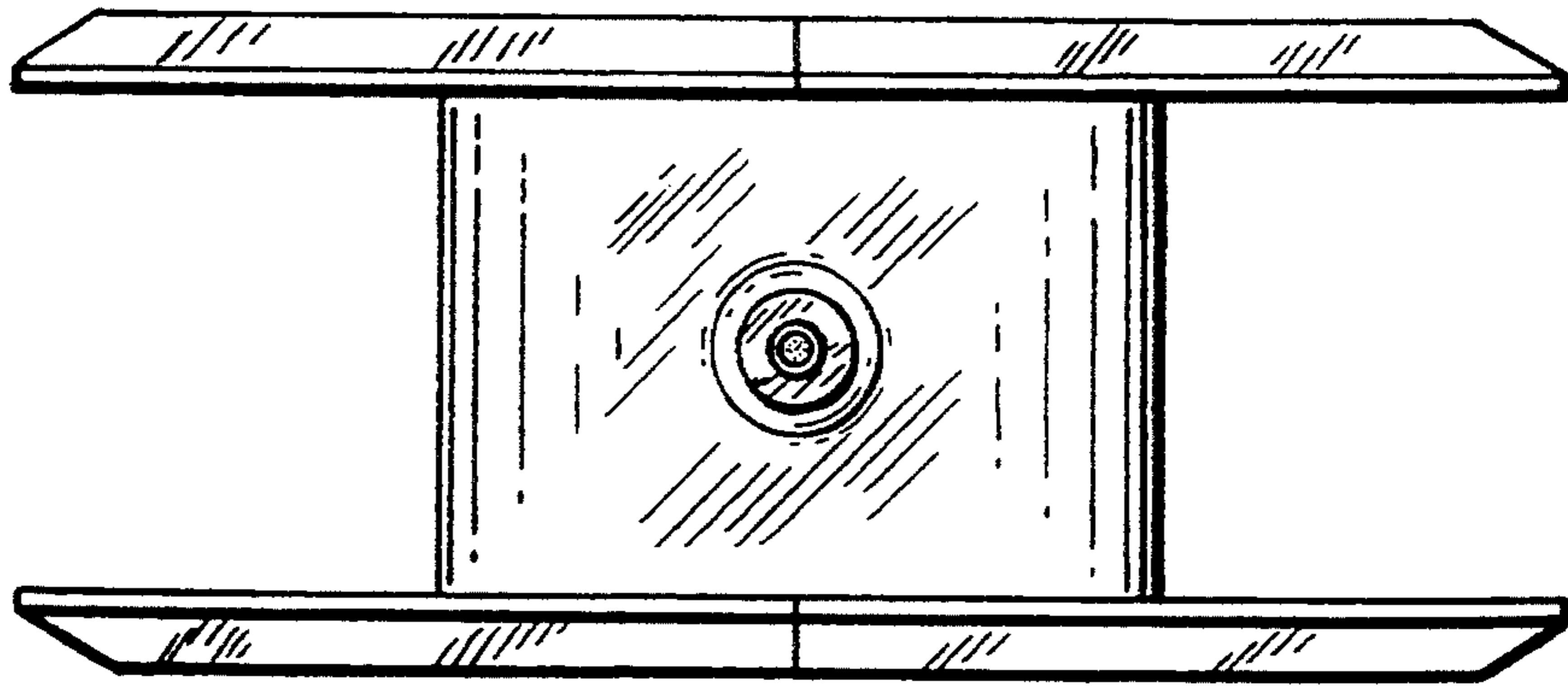


FIG. 3

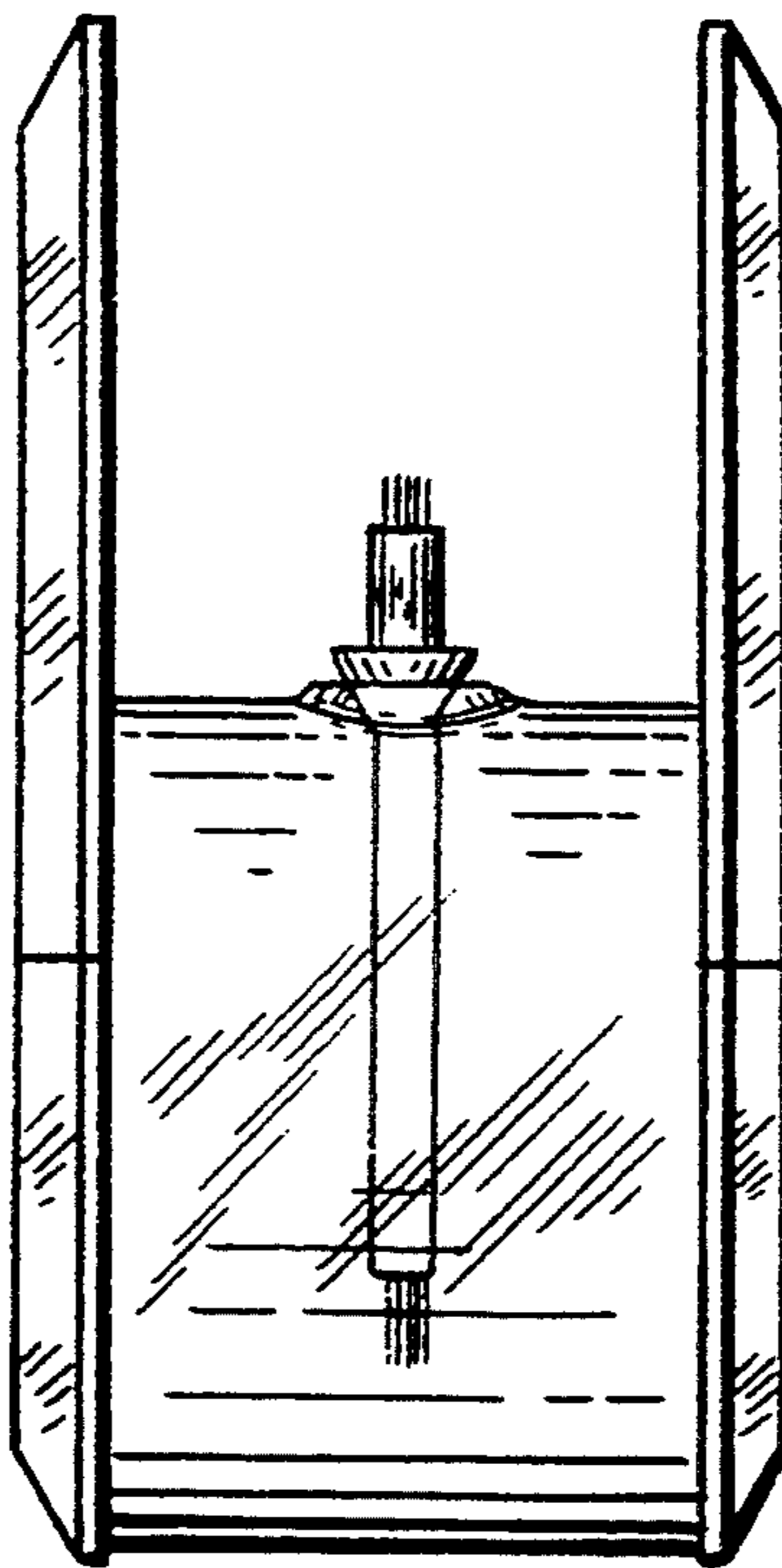


FIG. 4

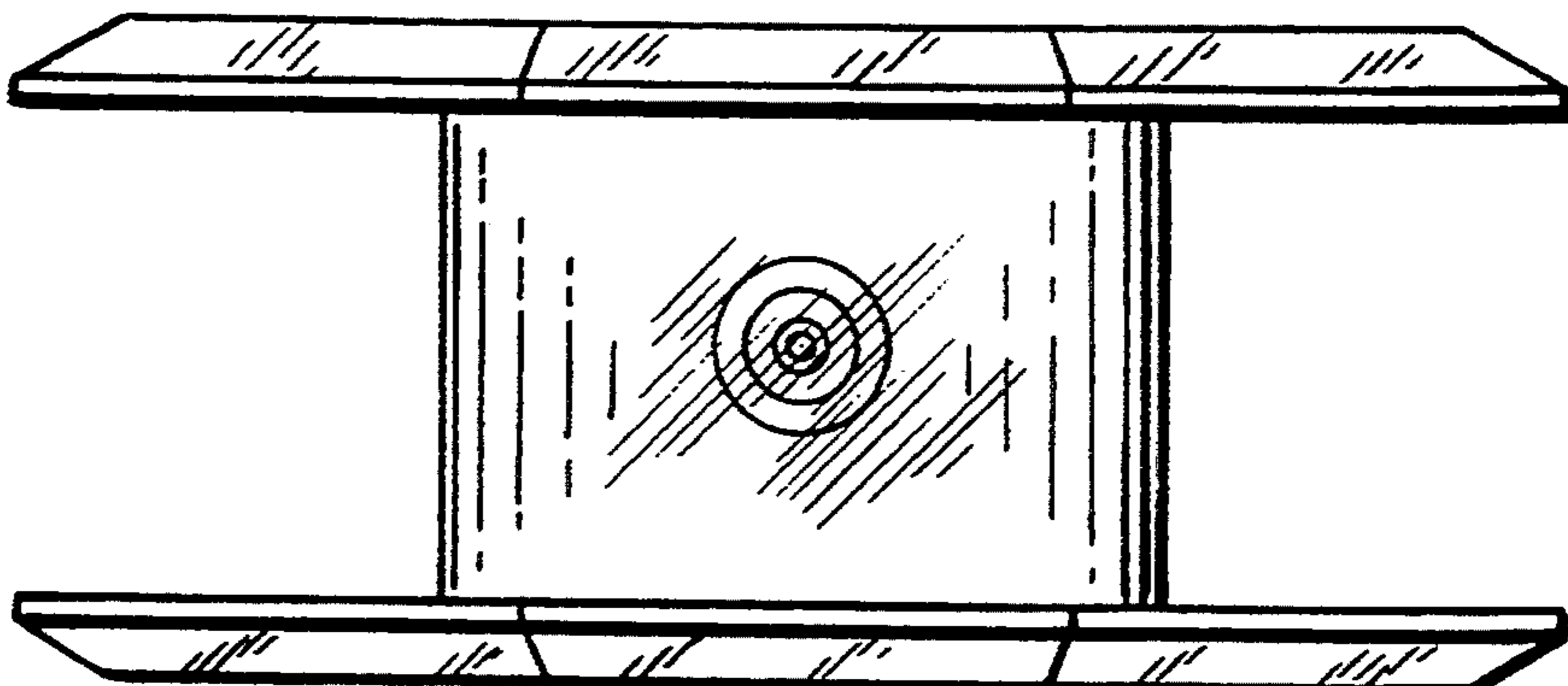


FIG. 5