



US00D358220S

# United States Patent [19]

[11] Patent Number: **Des. 358,220**

Detassis

[45] Date of Patent: **\*\* May 9, 1995**

[54] **TURNSTILE**

5,056,261 10/1991 Tetherton ..... 49/47

[75] Inventor: **Marco O. Detassis**, Trento, Italy

*Primary Examiner*—Doris Clark

[73] Assignee: **Italdis Industria S.p.A.**, Lavis, Italy

*Attorney, Agent, or Firm*—Panitch, Schwarze, Jacobs & Nadel

[\*\*] Term: **14 Years**

### [57] CLAIM

[21] Appl. No.: **8,409**

The ornamental design for a turnstile, as shown and described.

[22] Filed: **May 14, 1993**

[52] U.S. Cl. .... **D25/51**

[58] Field of Search ..... **D25/51; 49/46-47**

### DESCRIPTION

### [56] References Cited

#### U.S. PATENT DOCUMENTS

- D. 284,705 7/1986 Smith ..... D25/51
- 2,869,776 1/1959 Care ..... 49/46

FIG. 1 is a top, front, left side perspective view of the design of the present invention; and, FIG. 2 is a top, rear, right side perspective view of the design.

The bottom of the turnstile being plain and unornamented.

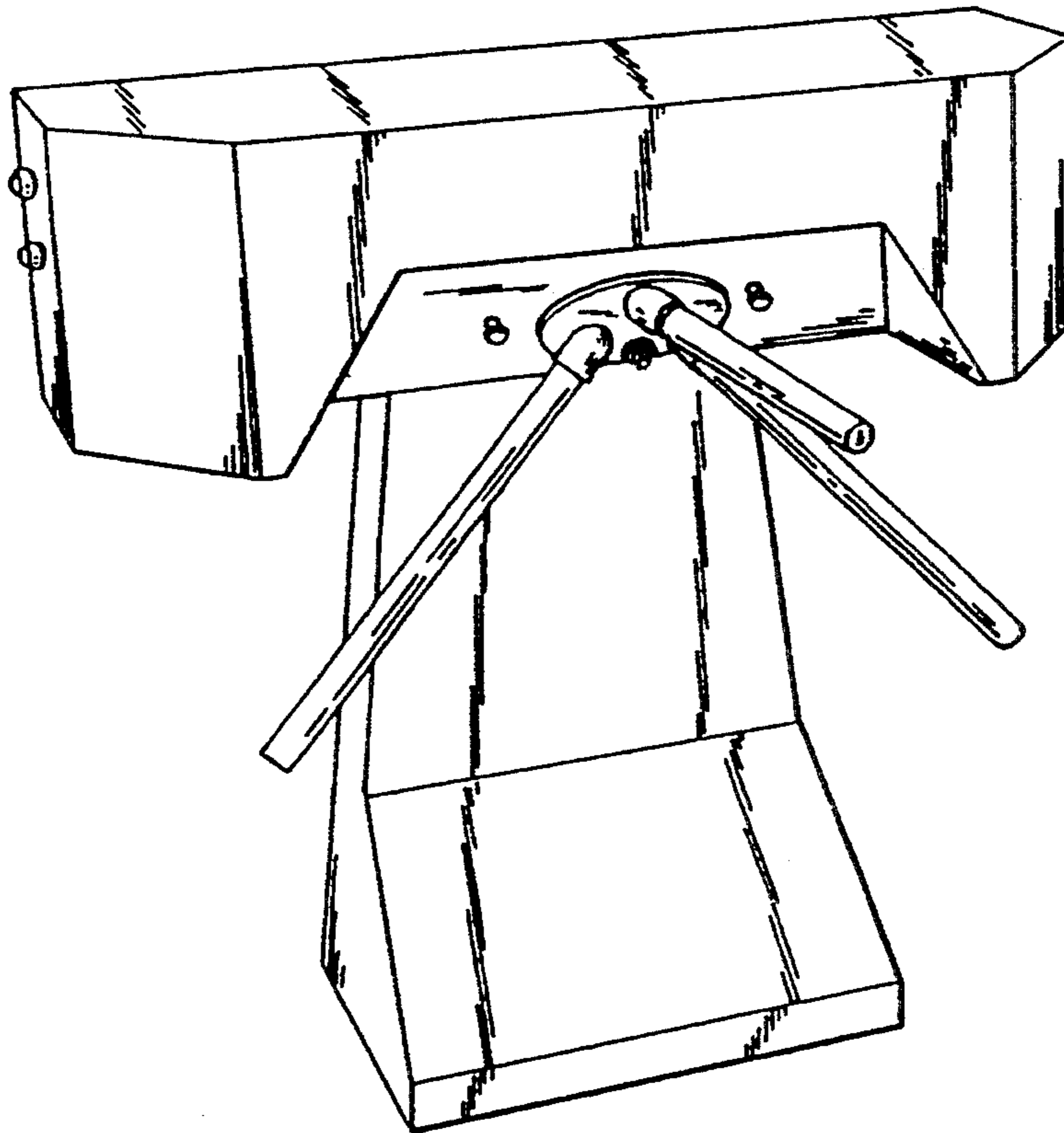


Fig. 1

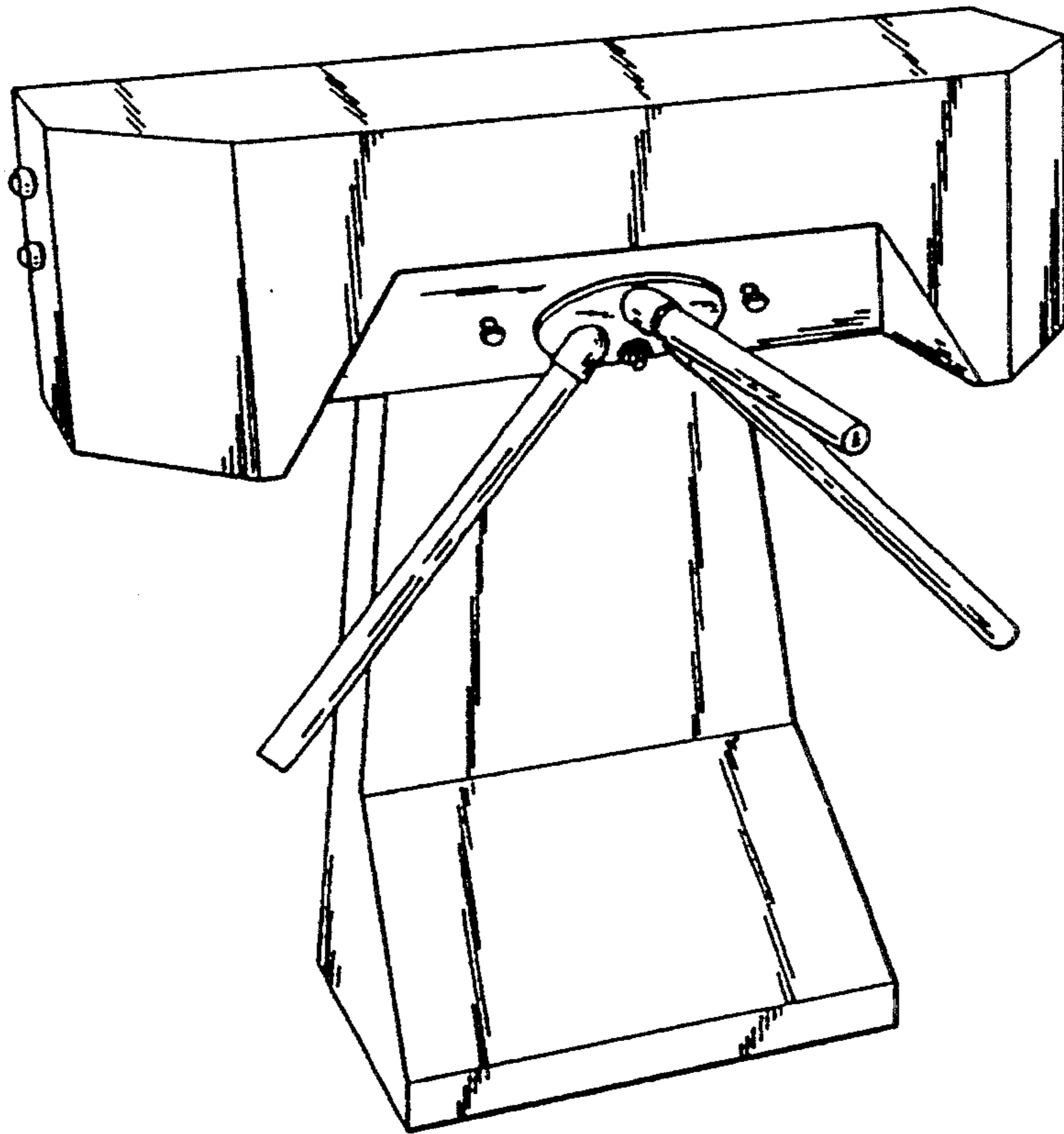


Fig. 2

