



US00D358214S

United States Patent [19]

[11] Patent Number: **Des. 358,214**

Breski

[45] Date of Patent: **** May 9, 1995**

[54] **COMBINED ELECTRONIC ARTIFICIAL LARYNX AND NECK CORD**

5,123,922 6/1992 Berg 623/9

[76] Inventor: **Eugene J. Breski**, 10688 Executive Dr., Boise, Id. 83704

Primary Examiner—Stella Reid
Attorney, Agent, or Firm—Korfanta & Dunbar

[**] Term: **14 Years**

[57] **CLAIM**

[21] Appl. No.: **12,693**

The ornamental design for a combined electronic artificial larynx and neck cord, as shown and described.

[22] Filed: **Sep. 7, 1993**

DESCRIPTION

[52] U.S. Cl. **D24/175**

FIG. 1 is a top perspective view of a combined electronic artificial larynx and neck cord, showing my new design;

[58] Field of Search D24/175; 623/9; 381/70, 381/53

FIG. 2 is a top plan view thereof, with the neck cord truncated for ease of illustration;

[56] **References Cited**

U.S. PATENT DOCUMENTS

- 4,274,162 6/1981 Joy et al. D24/175 X
- 4,338,488 7/1982 Lennox D24/175 X
- 4,726,066 2/1988 Bloomfield, III 381/70 X

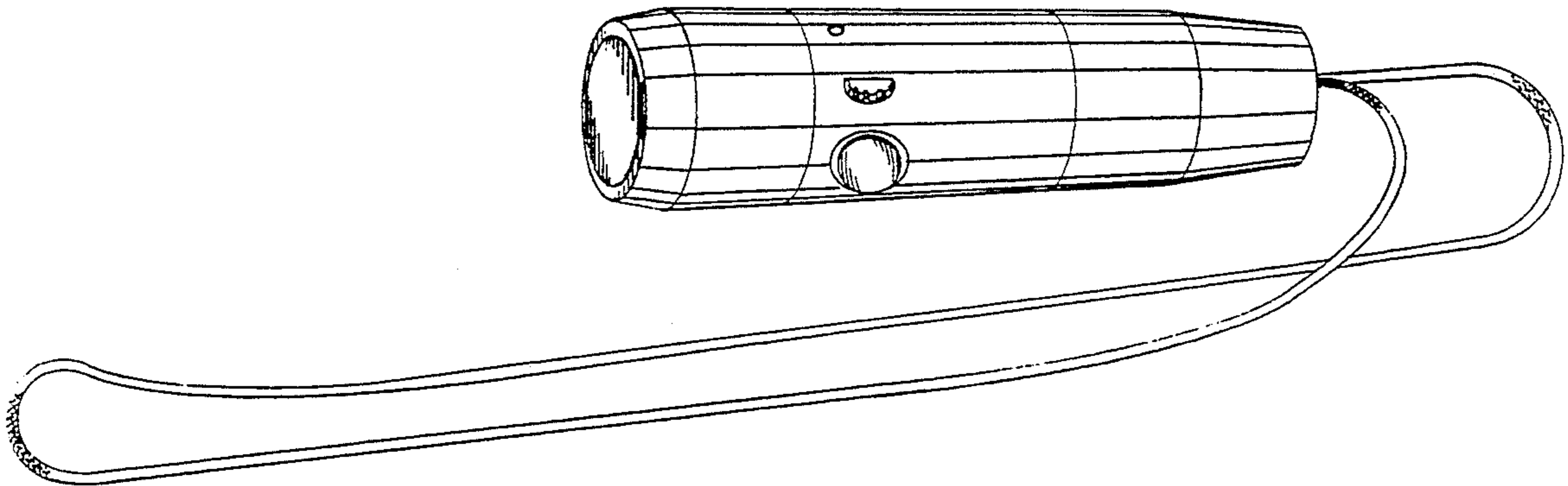
FIG. 3 is a bottom plan view thereof;

FIG. 4 is a right side elevational view thereof;

FIG. 5 is a left side elevational view thereof;

FIG. 6 is a front elevational view thereof; and,

FIG. 7 is a back elevational view thereof.



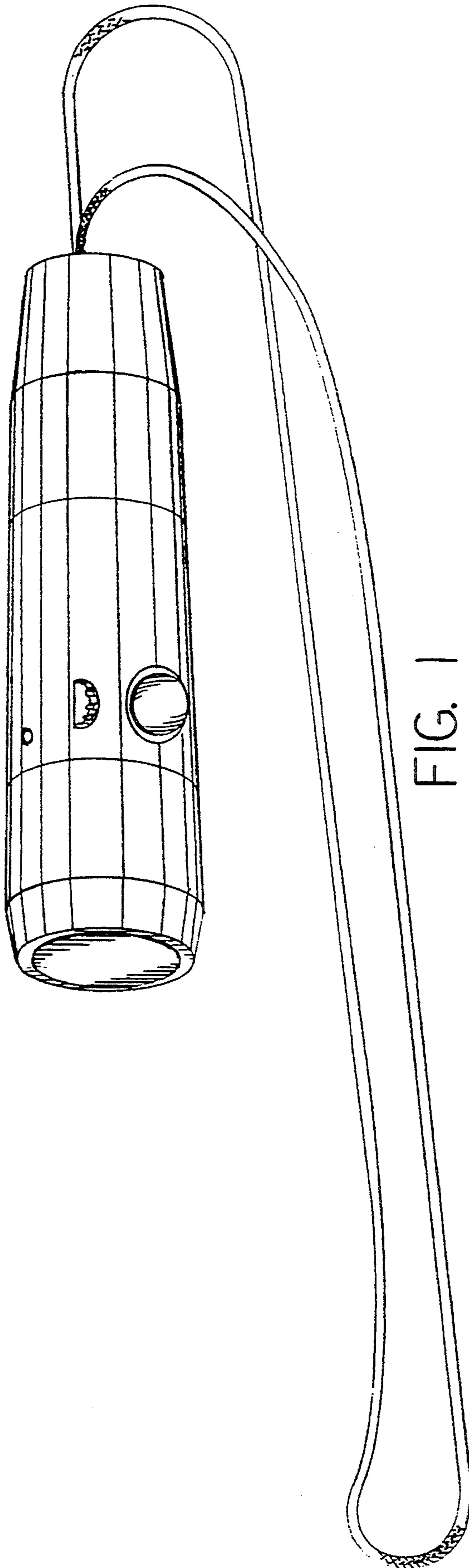


FIG. 1

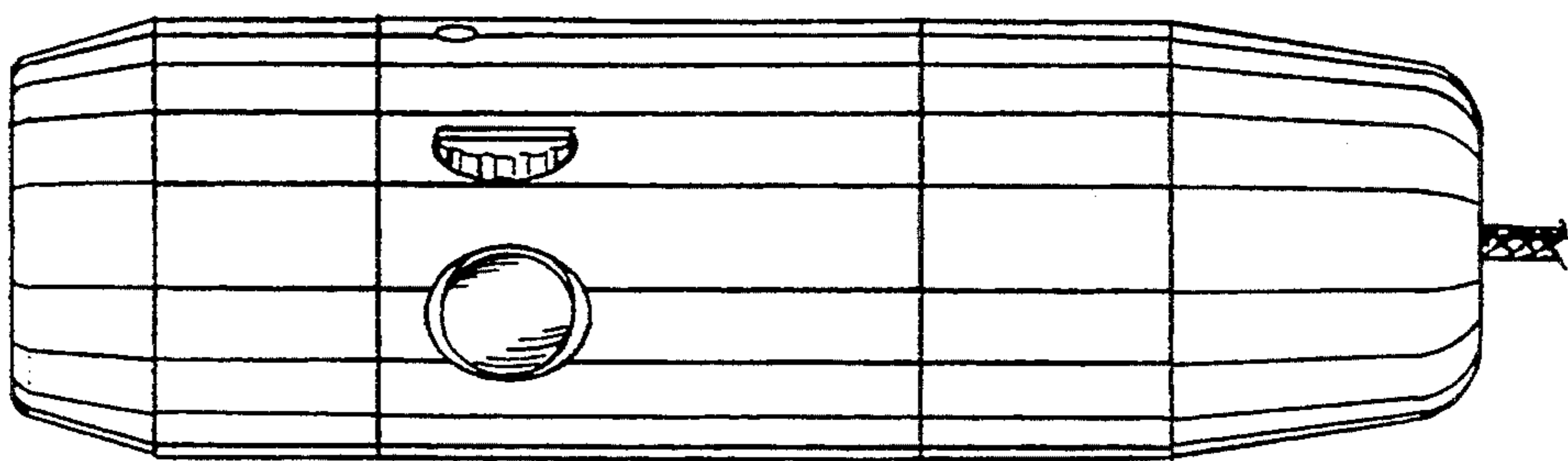


FIG. 2

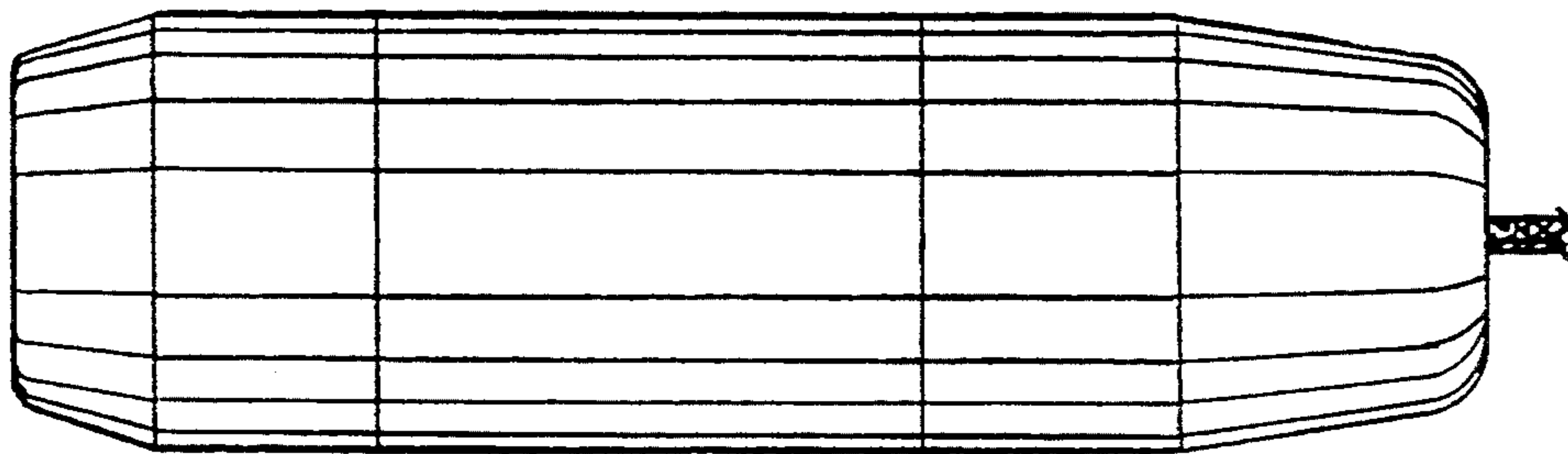


FIG. 3

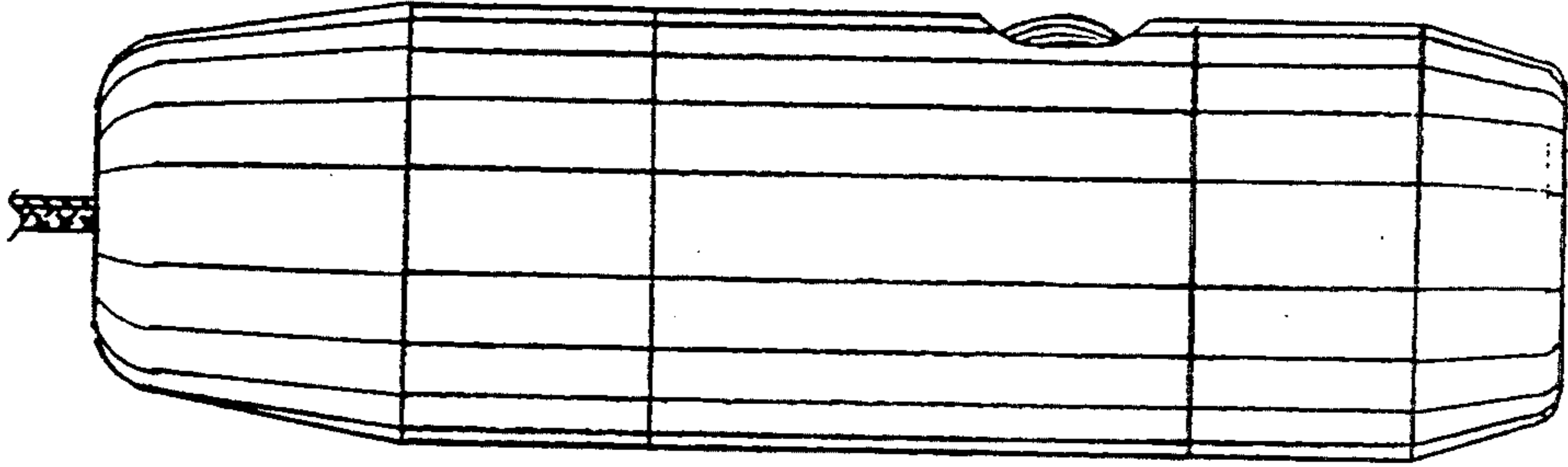


FIG. 4

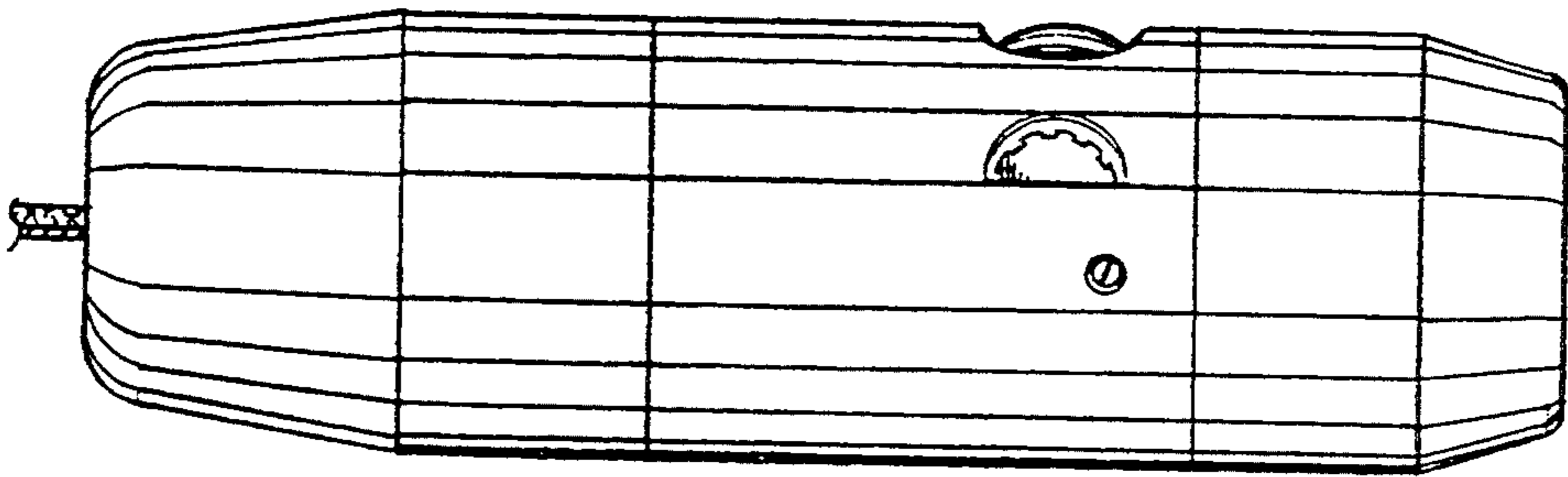


FIG. 5

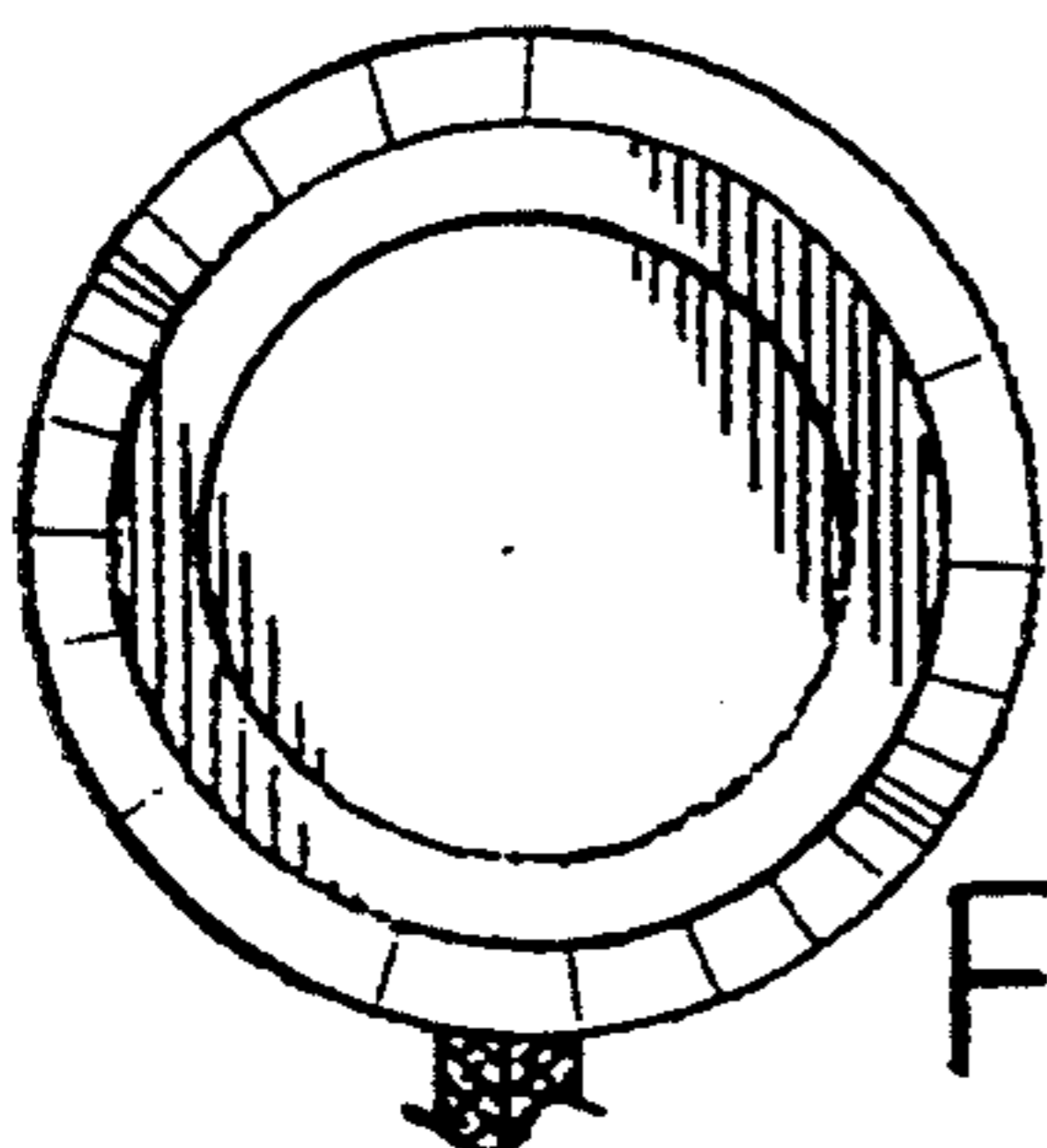


FIG. 6

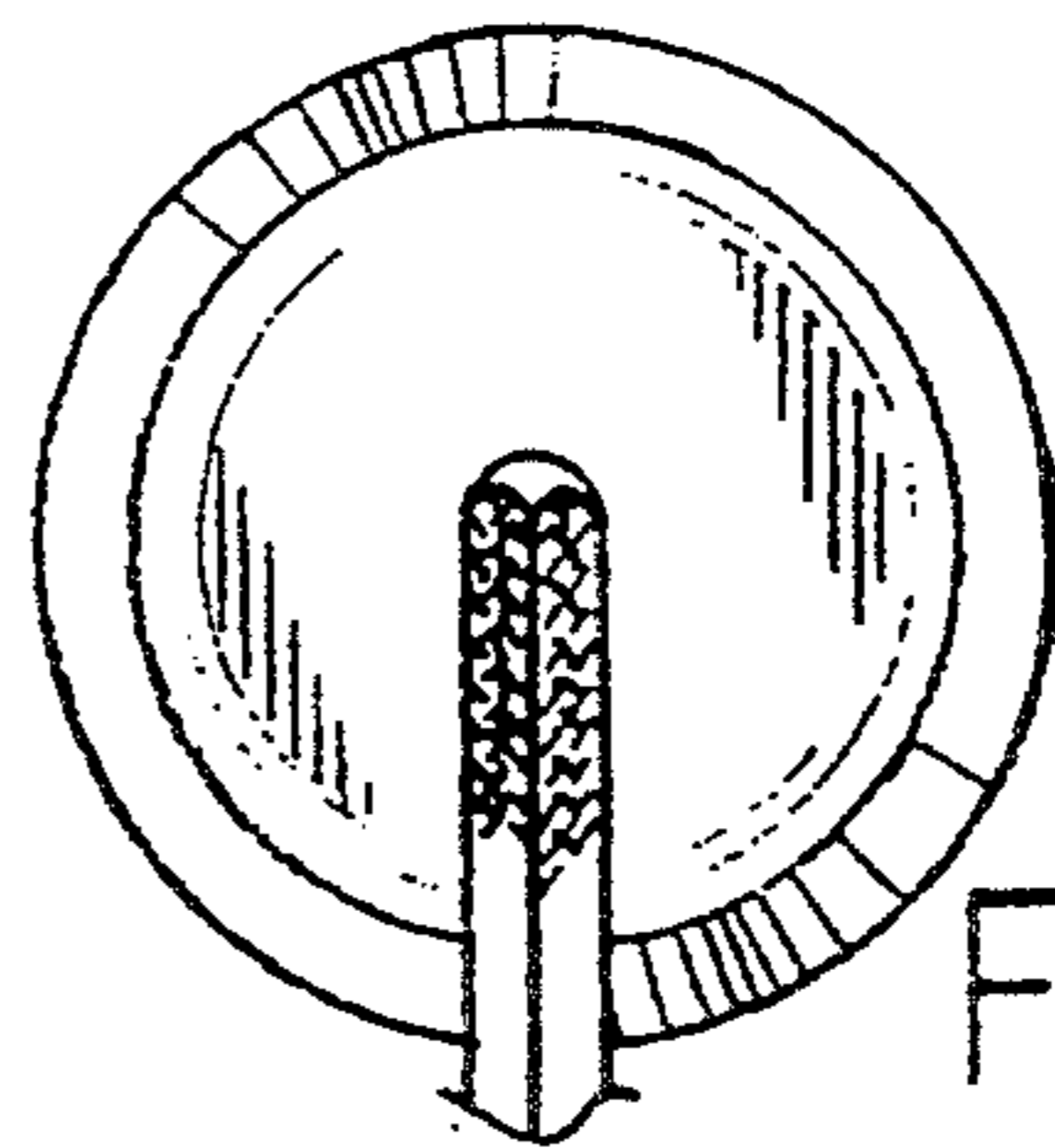


FIG. 7