



US00D358213S

# United States Patent [19]

[11] Patent Number: **Des. 358,213**

Sutton et al.

[45] Date of Patent: **\*\* May 9, 1995**

[54] **MEDICAL FILTER**

[75] Inventors: **Robert Sutton, Willoughby; Brian Whitehead, Clayton, both of Australia**

[73] Assignee: **Medical Manufacturers Pty Limited, New South Wales, Australia**

[\*\*] Term: **14 Years**

[21] Appl. No.: **930,209**

[22] Filed: **Aug. 14, 1992**

[30] **Foreign Application Priority Data**

Feb. 14, 1992 [AU] Australia ..... 349/92

[52] U.S. Cl. .... **D24/162**

[58] Field of Search ..... D24/162; 128/205.12, 128/205.29, 203.25, 203.12, 201.13

[56] **References Cited**

**U.S. PATENT DOCUMENTS**

D. 260,175 8/1981 Hein et al. .... D24/162

D. 263,078	2/1982	Eddleman et al. ....	D24/162
D. 267,117	11/1982	Rosenberg .....	D24/162
D. 273,330	4/1984	Rouch .....	D24/162
D. 285,606	9/1986	Christopherson .....	D24/162
D. 305,934	2/1990	Sone .....	D24/162
4,771,770	9/1988	Artemenko et al. ....	128/201.13
5,035,236	7/1991	Kanegaonkar .....	128/201.13
5,195,527	3/1993	Hicks .....	128/205.12

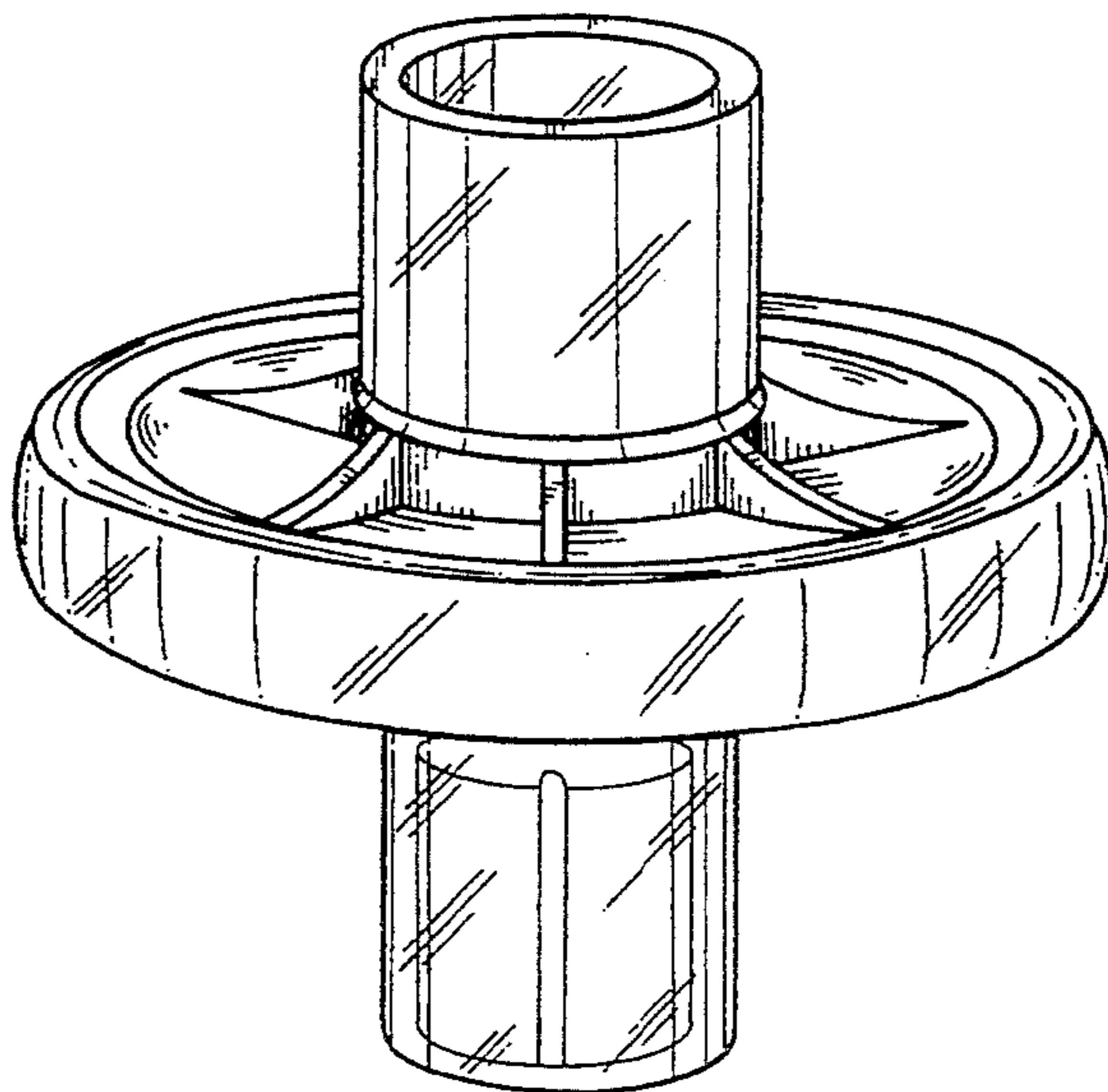
*Primary Examiner*—Stella Reid

[57] **CLAIM**

The ornamental design for a medical filter, as shown and described.

**DESCRIPTION**

FIG. 1 is a perspective view of a medical filter showing our new design;  
 FIG. 2 is a top plan view thereof;  
 FIG. 3 is a bottom plan view thereof;  
 FIG. 4 is a side elevational view thereof, with all other sides being identical to that shown; and,  
 FIG. 5 is a cross-sectional view taken along line 5—5 of FIG. 2.



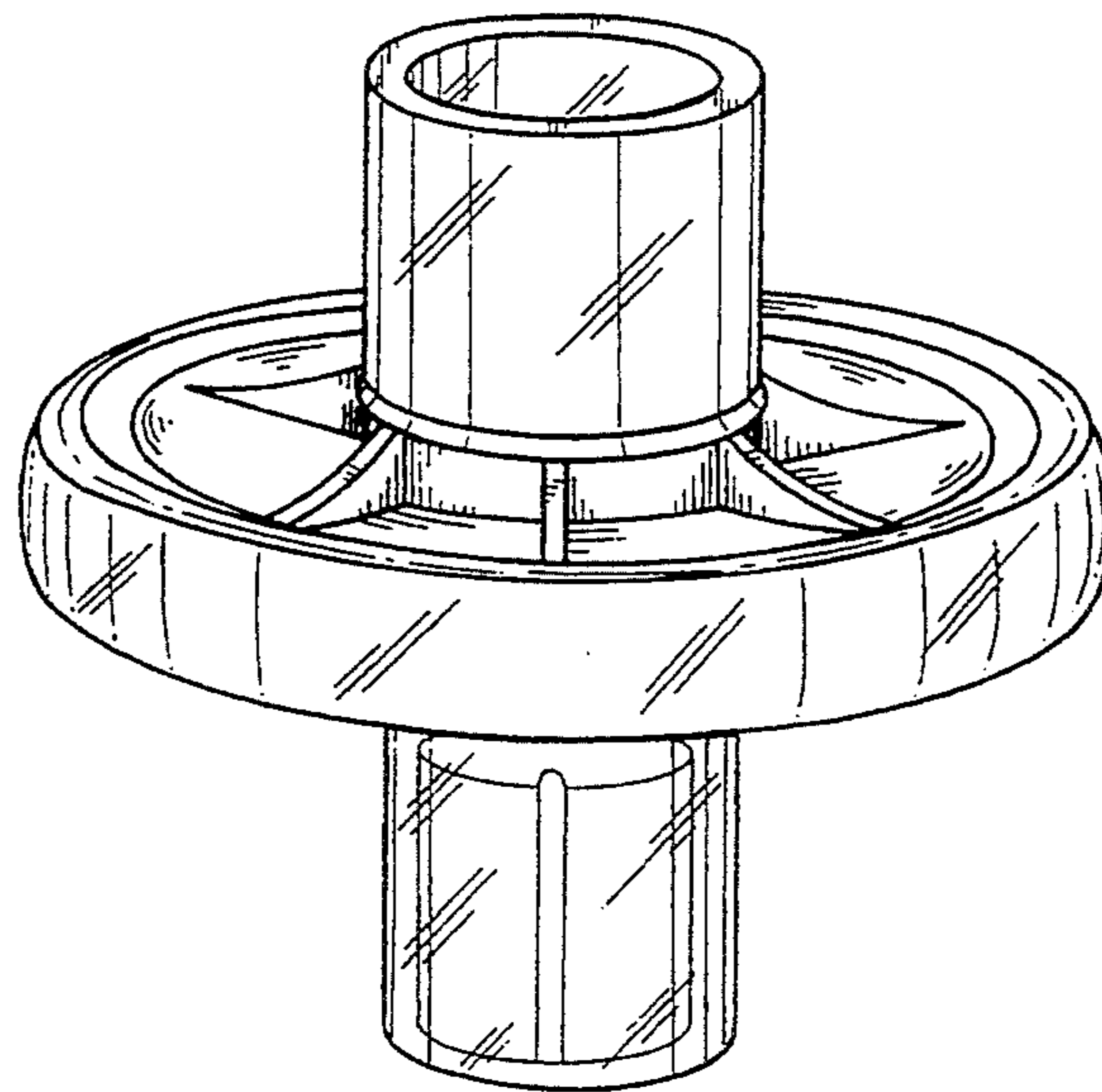


FIG. 1

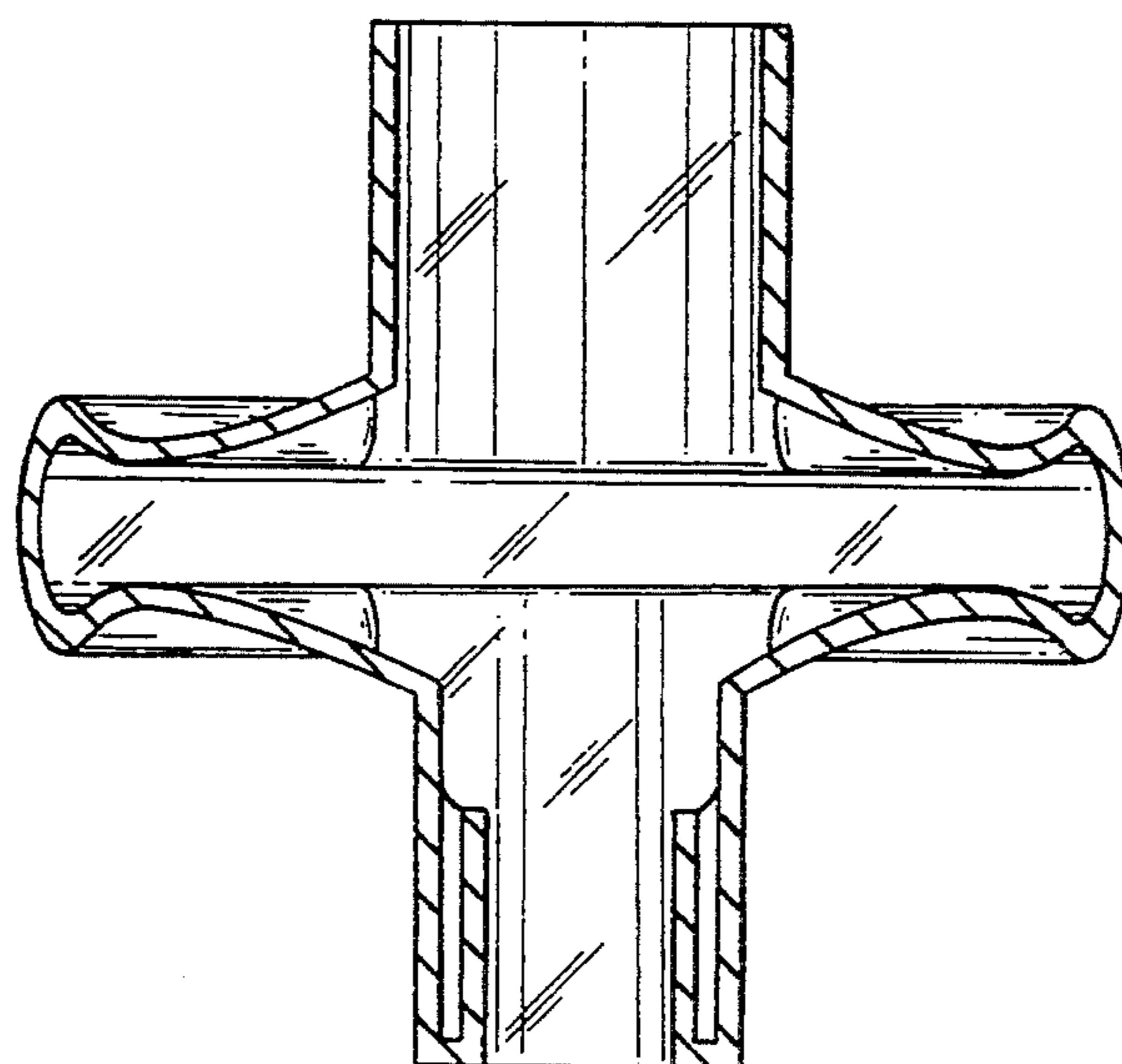


FIG. 5

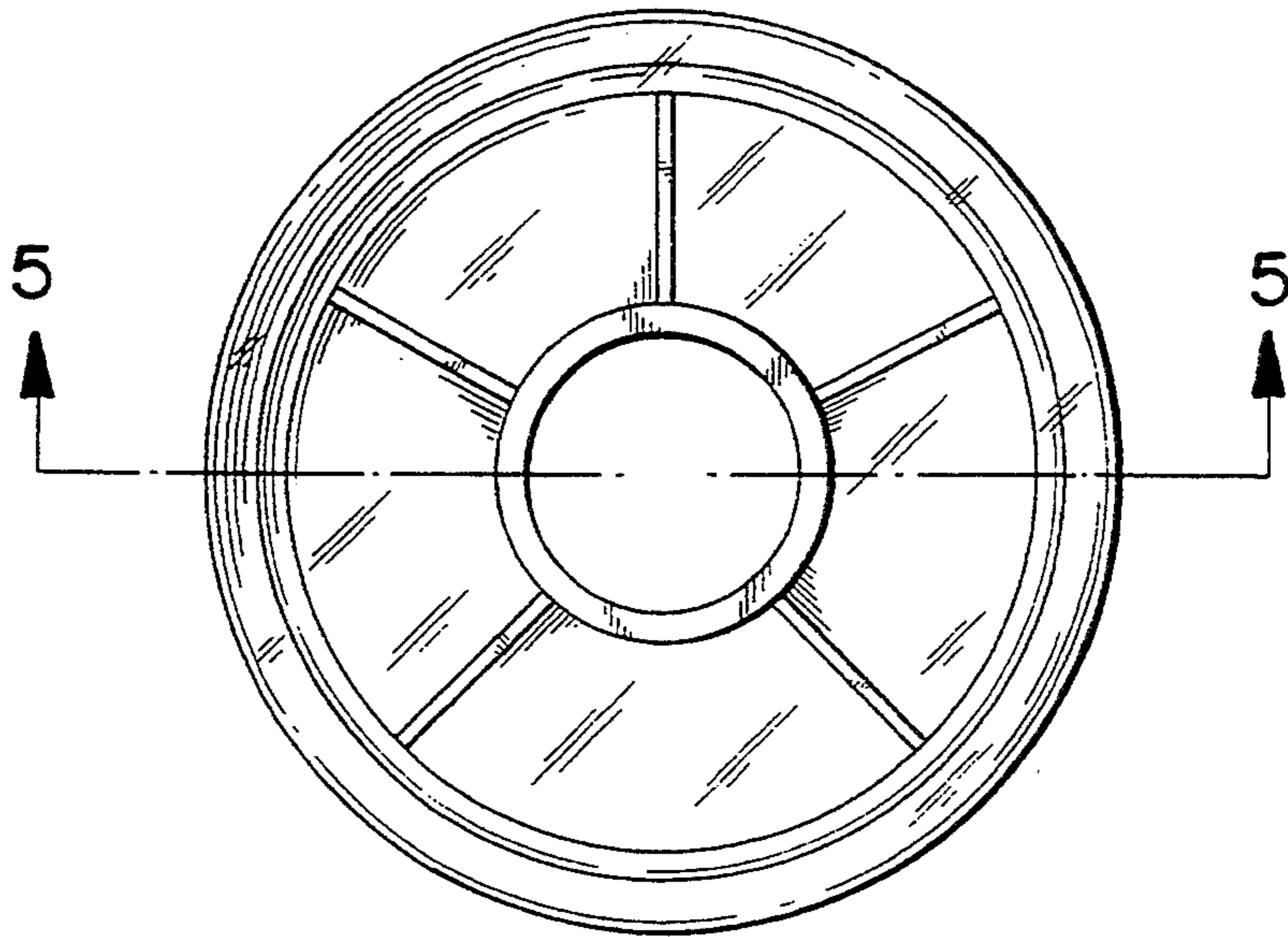


FIG. 2

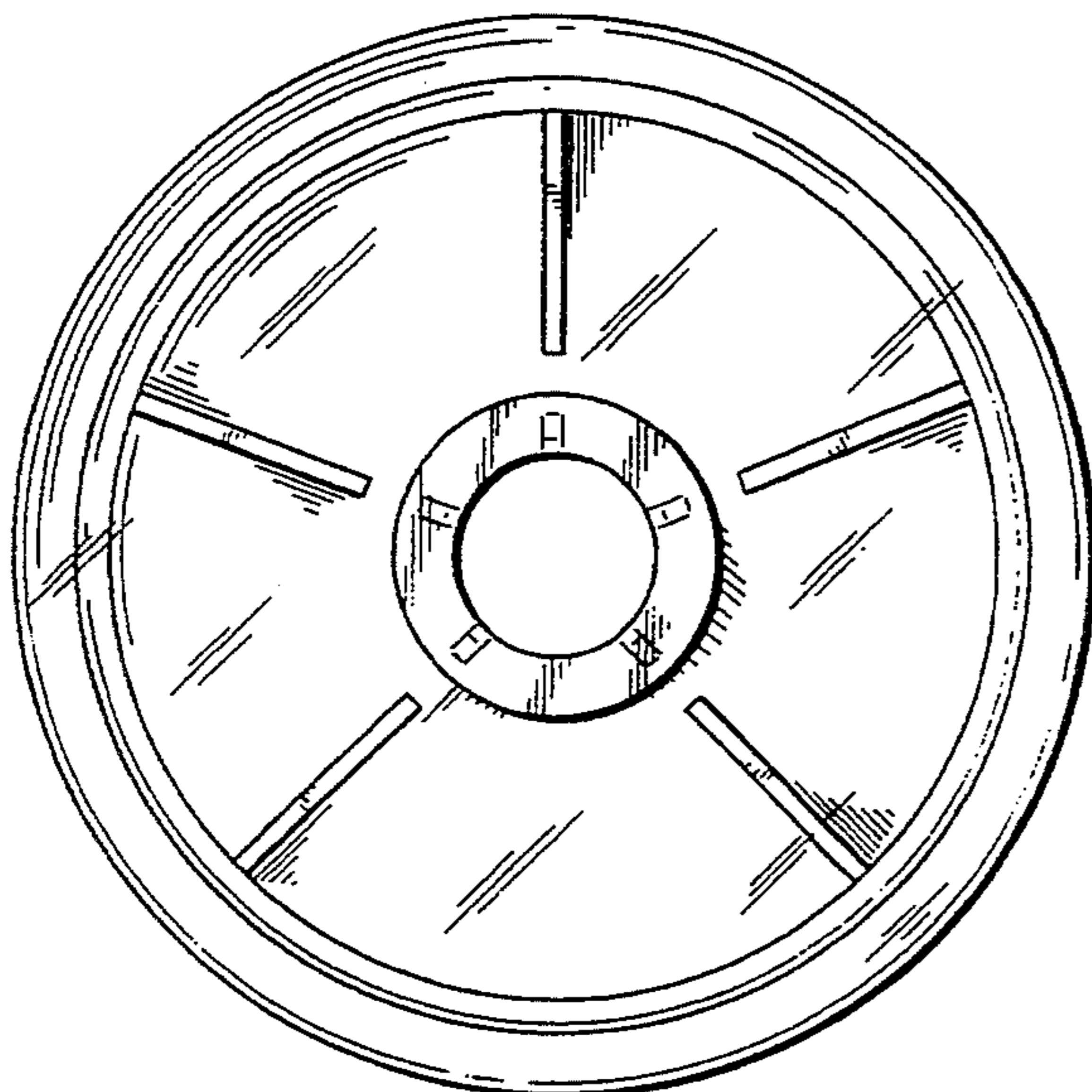


FIG. 3

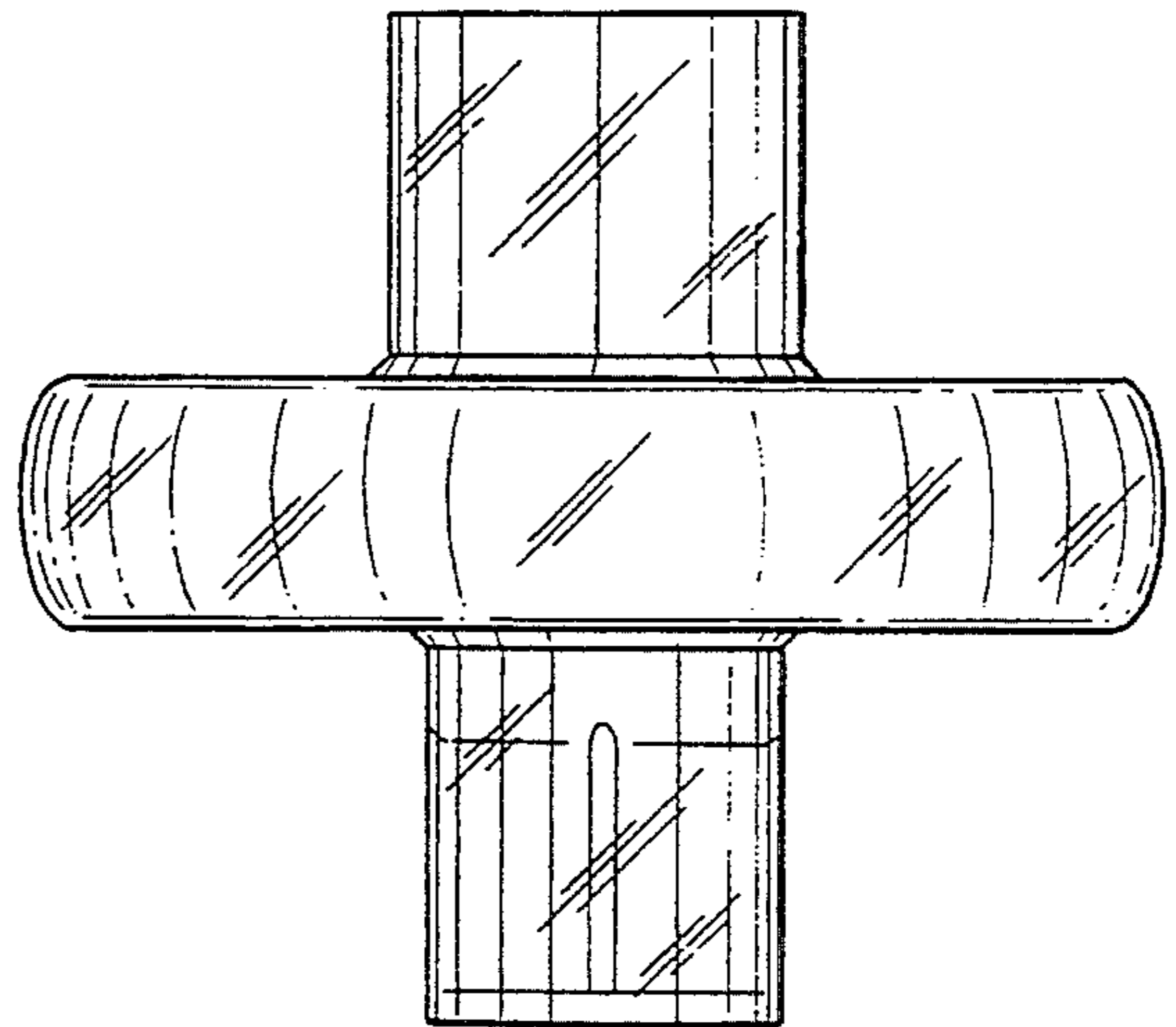


FIG. 4