



US00D358209S

United States Patent [19]

[11] Patent Number: **Des. 358,209**

Petruschke et al.

[45] Date of Patent: **** May 9, 1995**

[54] **DISPOSABLE SURGICAL TROCAR**

[75] Inventors: **Haans K. Petruschke**, Kirtland; **Scott C. Marlow**, Chesterland, both of Ohio

[73] Assignee: **Marlow Surgical Technologies, Inc.**, Willoughby, Ohio

[**] Term: **14 Years**

[21] Appl. No.: **2,133**

[22] Filed: **Nov. 30, 1992**

[52] U.S. Cl. **D24/146**

[58] Field of Search **D24/146, 147; 604/165, 604/158, 184, 272, 264, 164, 166, 168**

[56] **References Cited**

U.S. PATENT DOCUMENTS

4,177,814	12/1979	Knepshield et al. .	
4,931,042	6/1990	Holmes et al.	D24/146
5,112,321	5/1992	Hiltebrandt .	
5,127,909	7/1992	Shichman	604/165
5,129,885	7/1992	Green et al. .	
5,147,316	9/1992	Castillenti .	
5,152,754	10/1992	Plyley et al. .	
5,158,545	10/1992	Trudell et al. .	
5,158,552	10/1992	Borgia et al. .	
5,176,697	1/1993	Hasson et al. .	
5,226,891	7/1993	Bushatz et al.	604/165
5,290,243	3/1994	Cholorow et al.	604/165
5,338,305	8/1994	Plyley et al.	604/164

OTHER PUBLICATIONS

Auto Suture Company, USSC TM advertisement ©1991.

Storz Endoscopy, Nezhat-Dorsey Pump System catalog ©1991.

Bard, Leventhal TM Gyne-Flo TM Cannula, catalog ©1991.

WISAP/USA Trocar Product literature ©1991.

Core Dynamics, Inc., Entrec TM Product literature ©1991.

Origin Medsystems, Inc., Origin Product literature ©1992.

United States Surgical Corp., Auto Suture Product literature ©1992.

Ethicon, Endo-Surgery Product literature ©1991.

Origin Medsystems, Inc. Origin TM Product literature ©1992.

Auto Suture Products, Price list ©1992.

Cabot Medical "Trocar" the first disposable Trocar ©1991.

Primary Examiner—A. Hugo Word

Assistant Examiner—I. Simmons

Attorney, Agent, or Firm—Thompson, Hine & Flory

[57] **CLAIM**

The ornamental design for a disposable surgical trocar, as shown and described.

DESCRIPTION

FIG. 1 is a perspective view of a disposable surgical trocar, showing our new design, shown from below and to the left thereof;

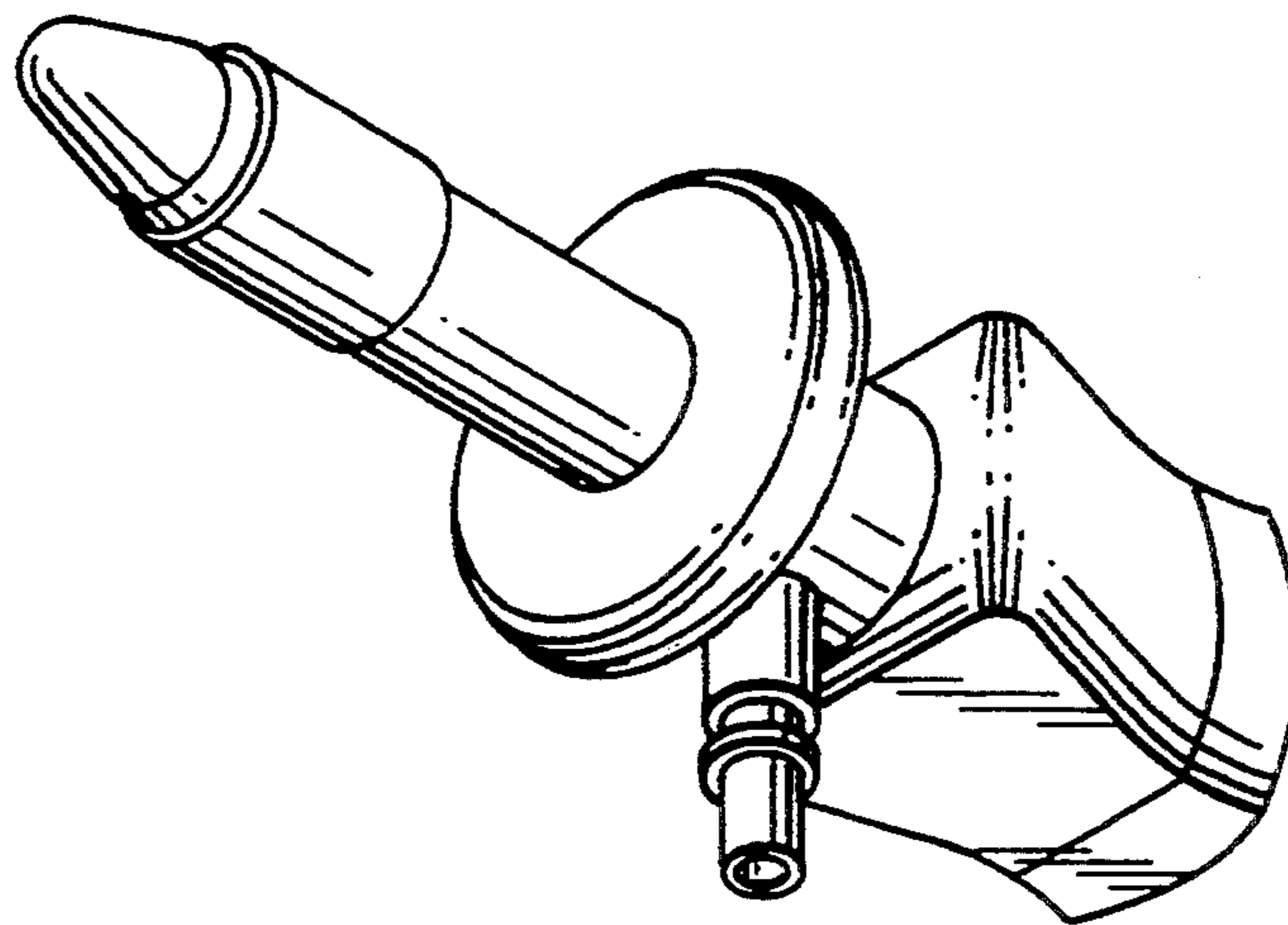
FIG. 2 is a rear elevational view thereof;

FIG. 3 is a left side elevational view thereof, the right side being substantially identical thereto;

FIG. 4 is a front elevational view thereof;

FIG. 5 is a bottom plan view thereof; and,

FIG. 6 is a top plan view thereof.



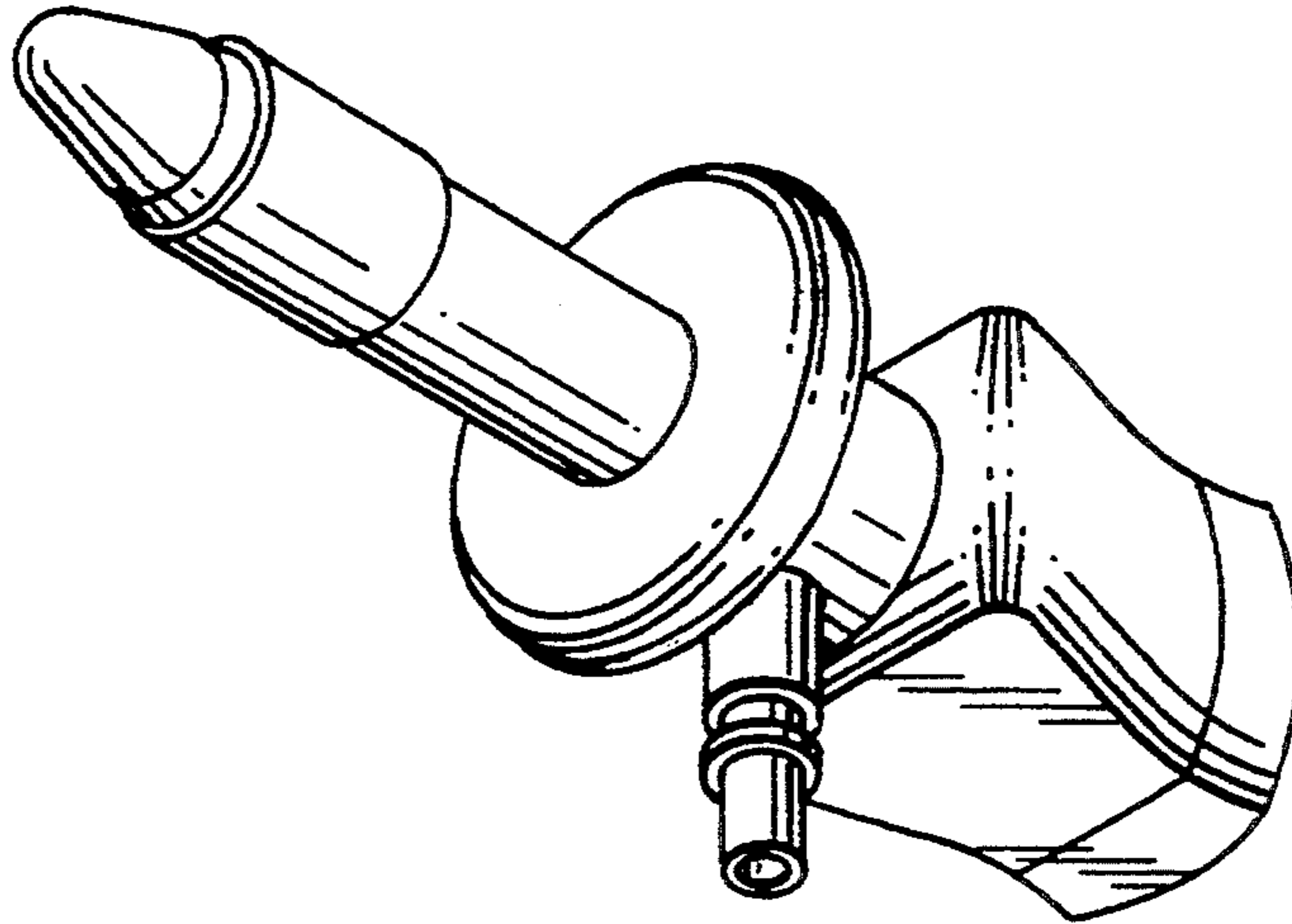


FIG-1

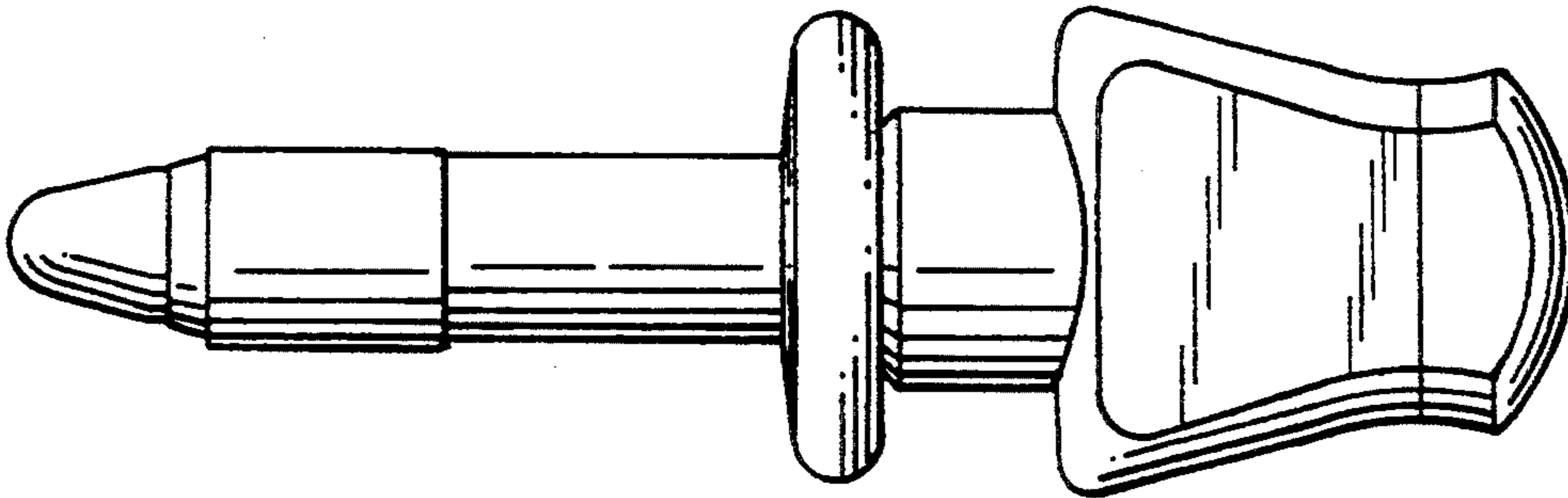


FIG-2

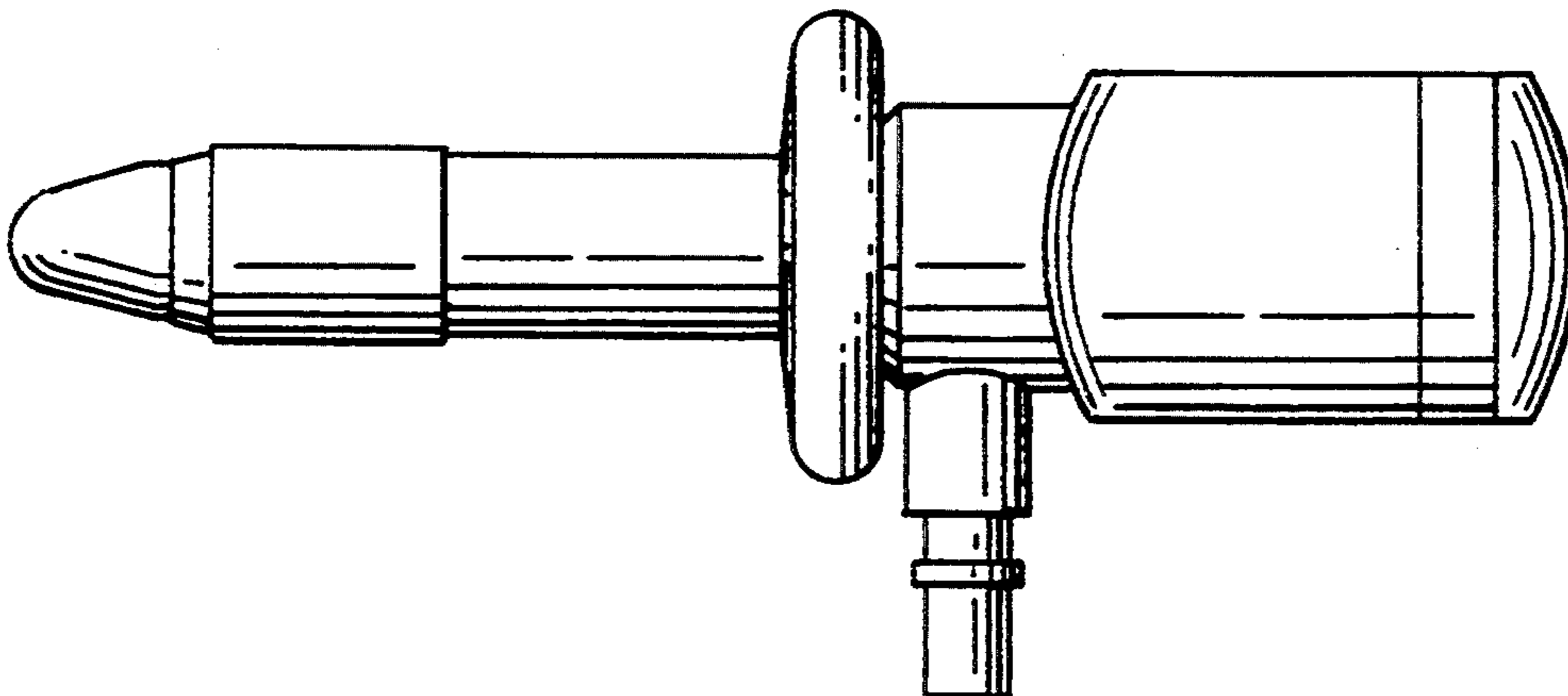


FIG-3

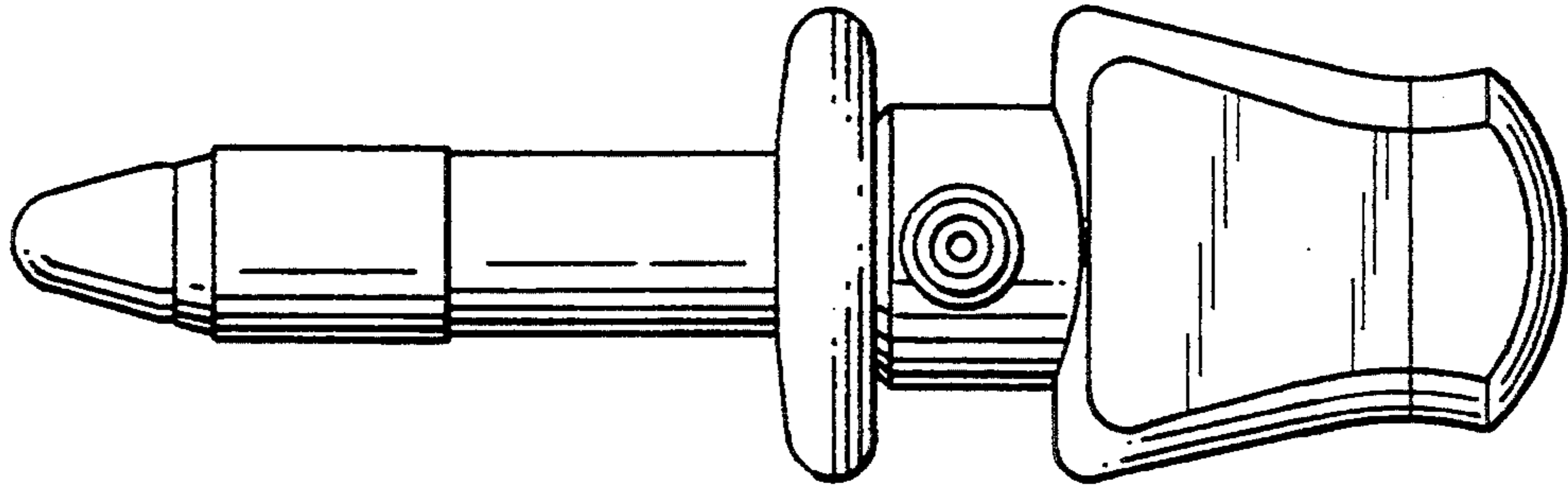


FIG-4

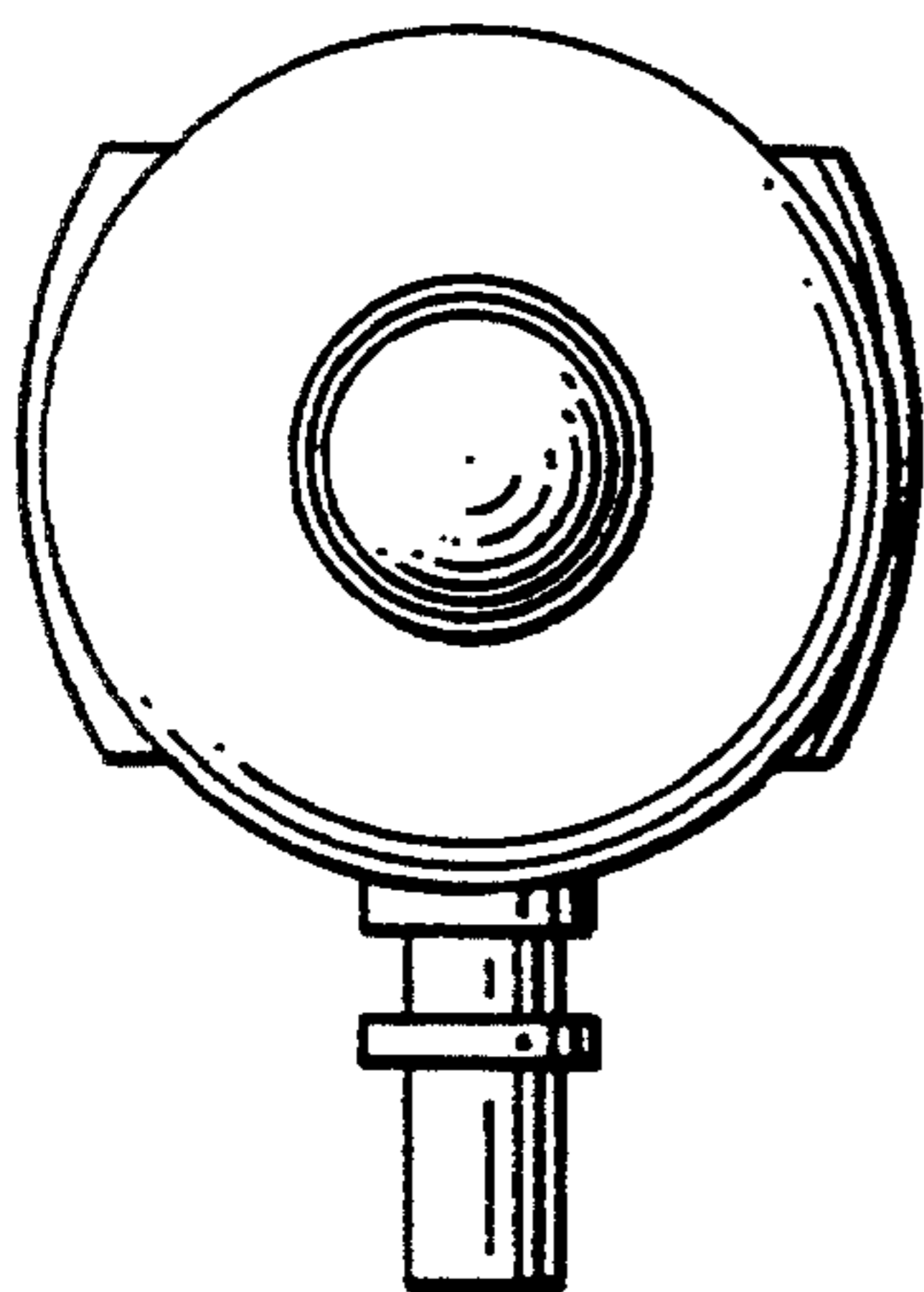


FIG-5

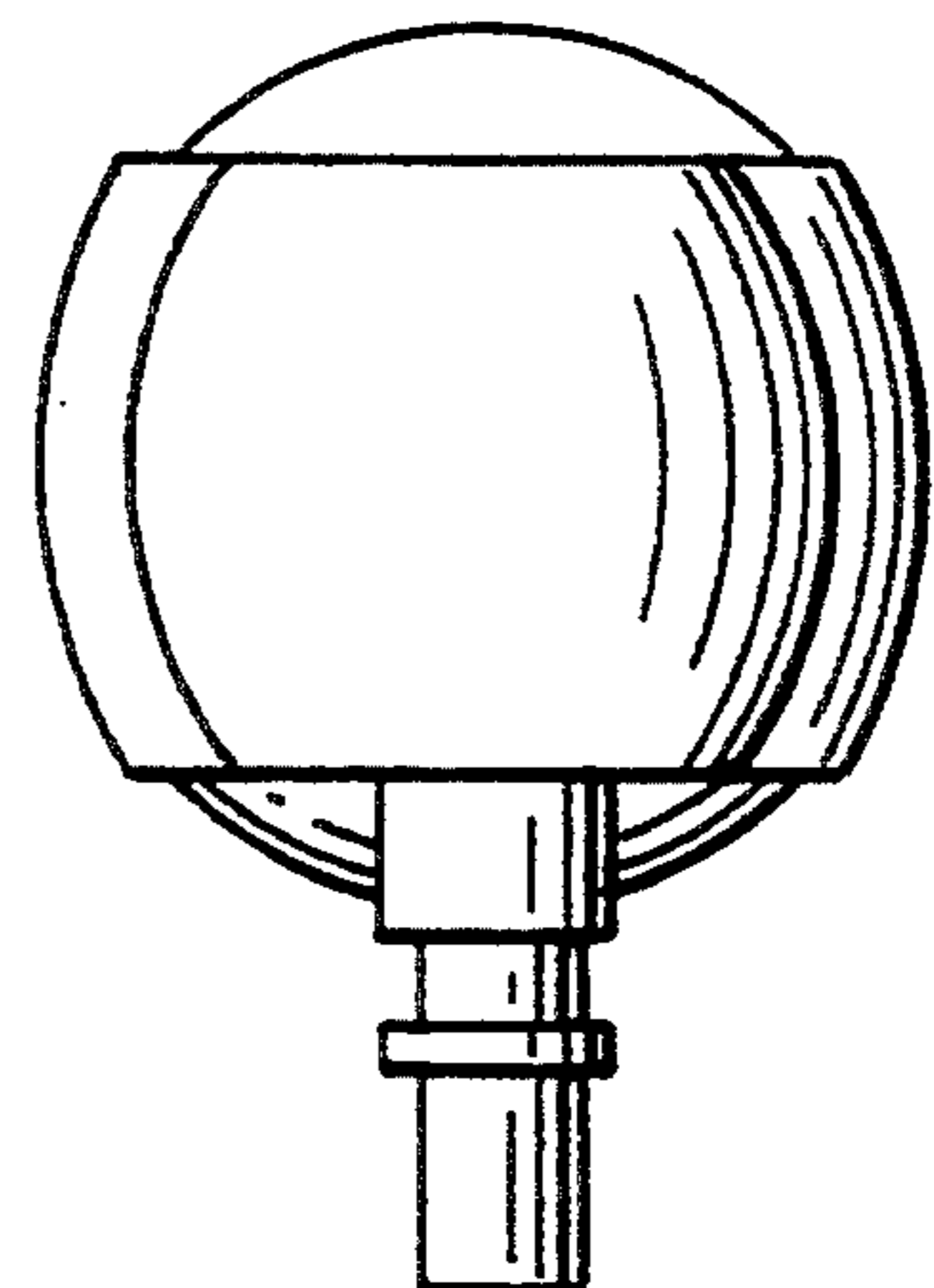


FIG-6