



US00D358208S

# United States Patent [19] Niven

[11] Patent Number: **Des. 358,208**  
[45] Date of Patent: **\*\* May 9, 1995**

[54] **MEDICAL LASER HANDPIECE**  
[75] Inventor: **Gregg D. Niven**, Salt Lake City, Utah  
[73] Assignee: **William H. McMahan**, Robertson, Wyo.  
[\*\*] Term: **14 Years**  
[21] Appl. No.: **6,076**  
[22] Filed: **Mar. 23, 1993**  
[52] U.S. Cl. .... **D24/133; D24/144**  
[58] Field of Search ..... **D24/133, 144, 170, 113; 604/119, 118, 35, 32, 41; 606/34, 32, 107**

4,537,193 8/1985 Tanner ..... D24/144 X  
4,693,244 9/1987 Daikuzono ..... D24/144 X  
5,011,483 4/1991 Sleister ..... 606/32 X

*Primary Examiner*—A. Hugo Word  
*Assistant Examiner*—I. Simmons  
*Attorney, Agent, or Firm*—Thorpe, North & Western

[57] **CLAIM**

The ornamental design for a medical laser handpiece.

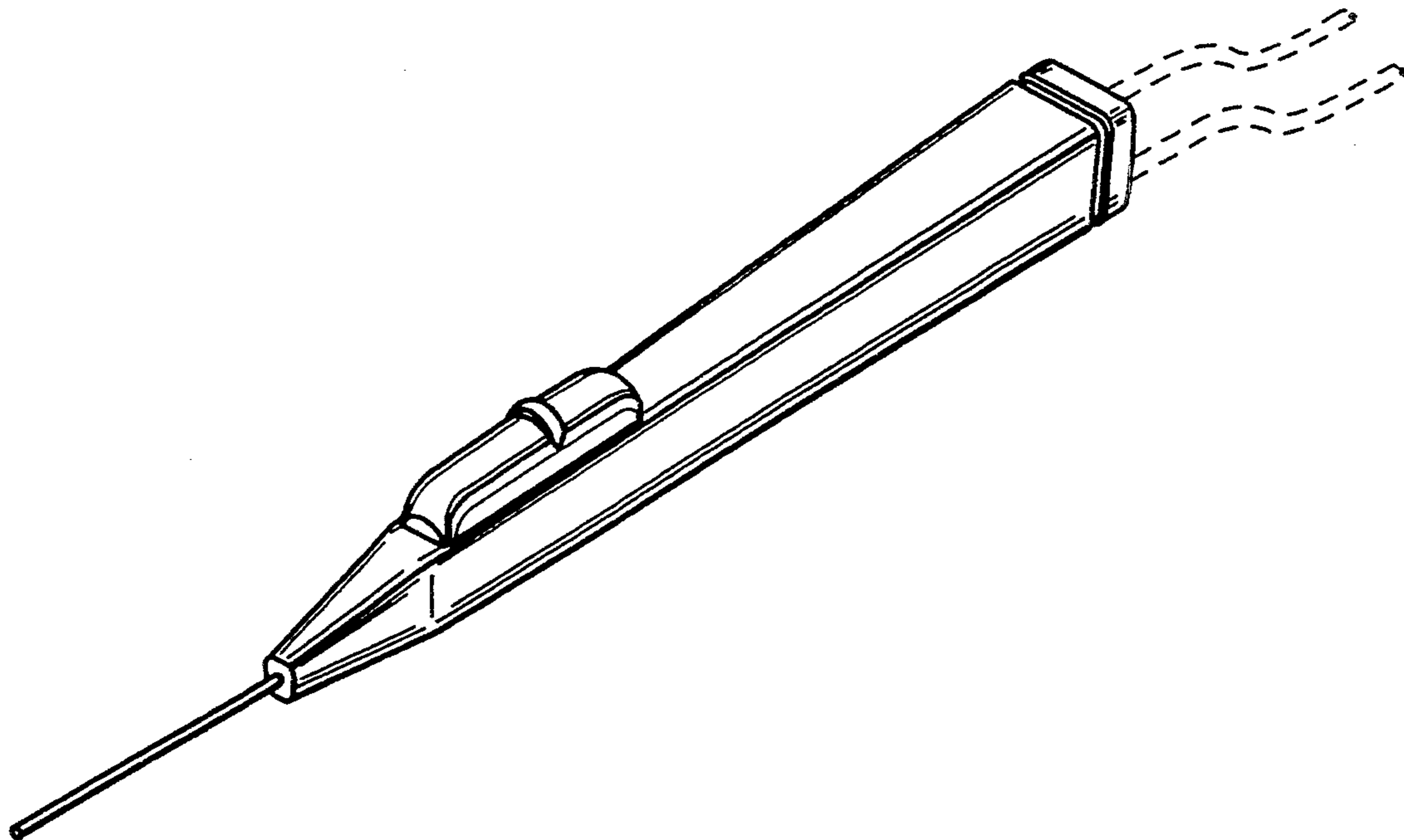
**DESCRIPTION**

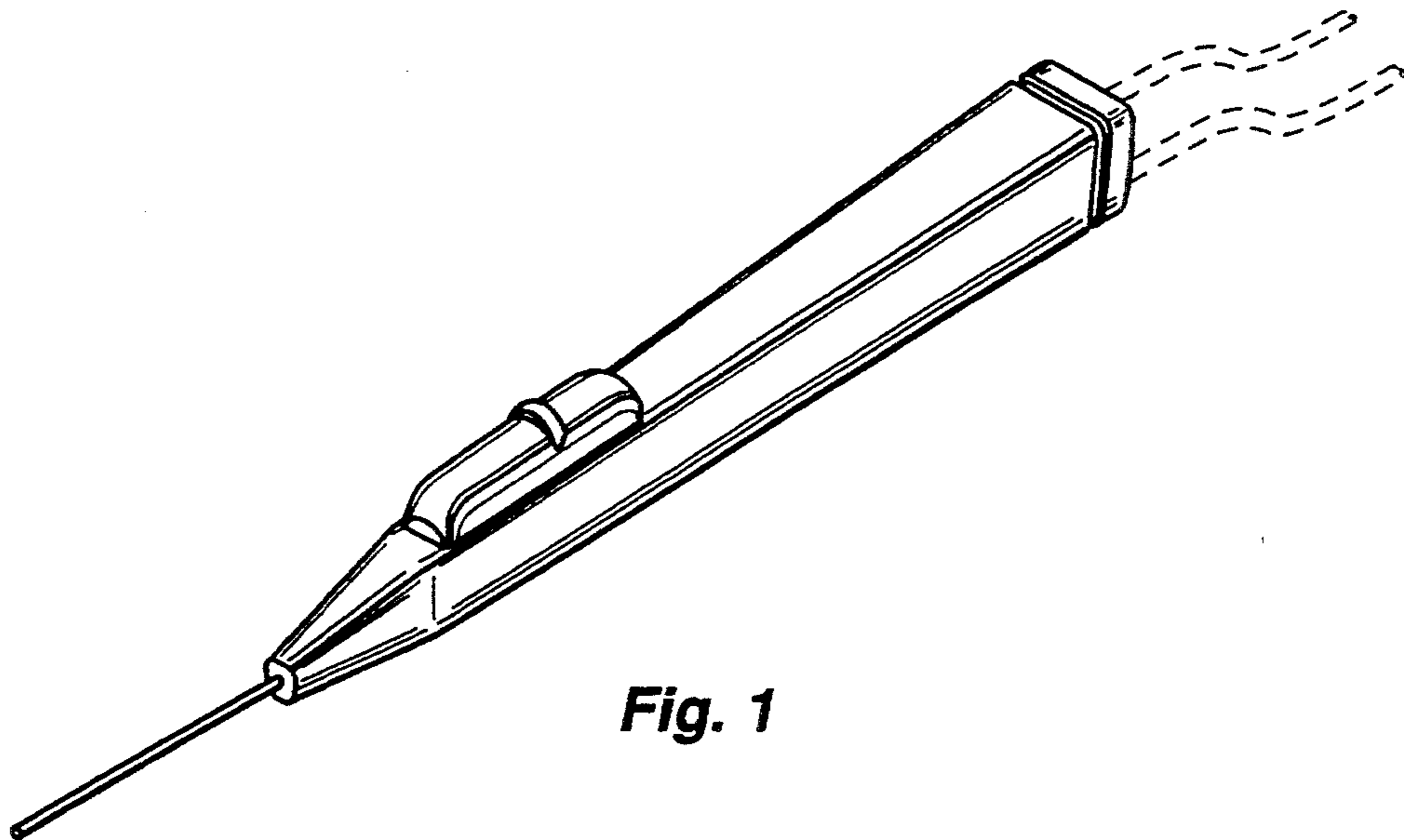
FIG. 1 is a perspective view of the medical laser handpiece showing my new design;  
FIG. 2 is a side view thereof;  
FIG. 3 is a reverse side view thereof;  
FIG. 4 is a top plan view thereof;  
FIG. 5 is a bottom plan view thereof;  
FIG. 6 is an end view thereof; and,  
FIG. 7 is a reverse end view thereof.  
The broken lines representing the leads in FIGS. 1-5 are for illustrative purposes only and form no part of the claimed design.

[56] **References Cited**

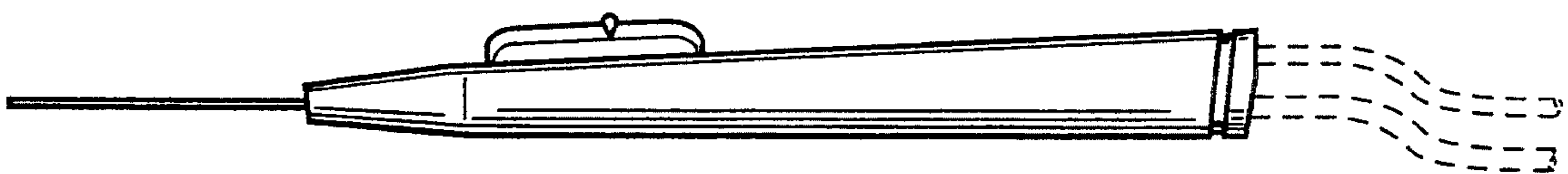
**U.S. PATENT DOCUMENTS**

D. 270,372 8/1983 Russo et al. .... D24/144  
D. 273,705 5/1984 Spetzler et al. .... D24/113  
D. 320,856 10/1991 Scheller ..... D24/144  
D. 341,200 11/1993 Yoshimoto ..... D24/133  
D. 344,903 3/1994 Gampp, Jr. et al. .... D24/133 X

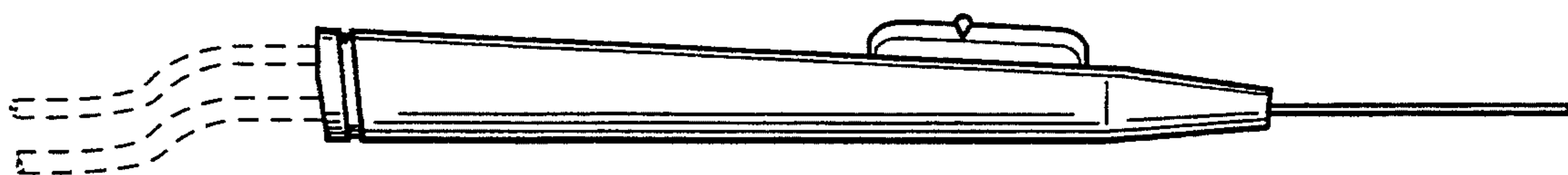




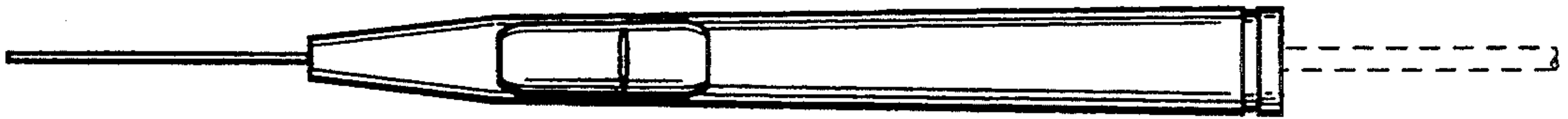
**Fig. 1**



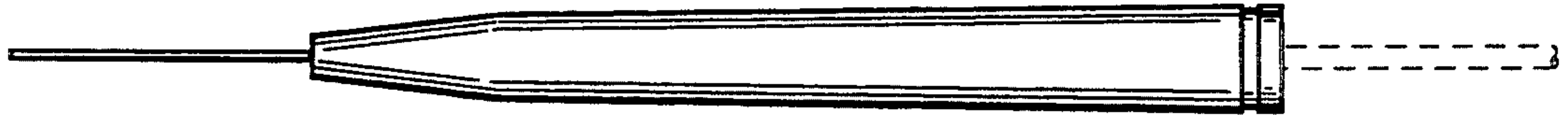
**Fig. 2**



**Fig. 3**



**Fig. 4**



**Fig. 5**



**Fig. 6**



**Fig. 7**