



US00D358206S

United States Patent [19] Smith

[11] Patent Number: Des. 358,206

[45] Date of Patent: ** May 9, 1995

[54] CANINE TOOTHBRUSH

[76] Inventor: Lee Smith, 7040 W. Palmetto Park Rd., Boca Raton, Fla. 33433

[**] Term: 14 Years

[21] Appl. No.: 10,535

[22] Filed: Jul. 9, 1993

[52] U.S. Cl. D4/104

[58] Field of Search D4/104-112,
D4/132, 134, 138; 15/143.1, 159.1, 160, 167.1,
167.2, 207.2, DIG. 5

[56] **References Cited**

U.S. PATENT DOCUMENTS

D. 45,180 2/1914 Clapp D4/110

D. 121,506 7/1940 Davis D4/104
D. 136,042 7/1943 Veo D4/104
D. 231,872 6/1974 Spaulding D4/104

Primary Examiner—James M. Gandy
Assistant Examiner—Lavone D. Tabor

[57] **CLAIM**

The ornamental design for canine toothbrush, as shown and described.

DESCRIPTION

FIG. 1 is a top plan view of canine toothbrush showing my new design;
FIG. 2 is a rear elevational view thereof;
FIG. 3 is a right side elevational view thereof;
FIG. 4 is a front elevational view thereof;
FIG. 5 is a bottom view thereof; and,
FIG. 6 is a left side elevational view thereof.

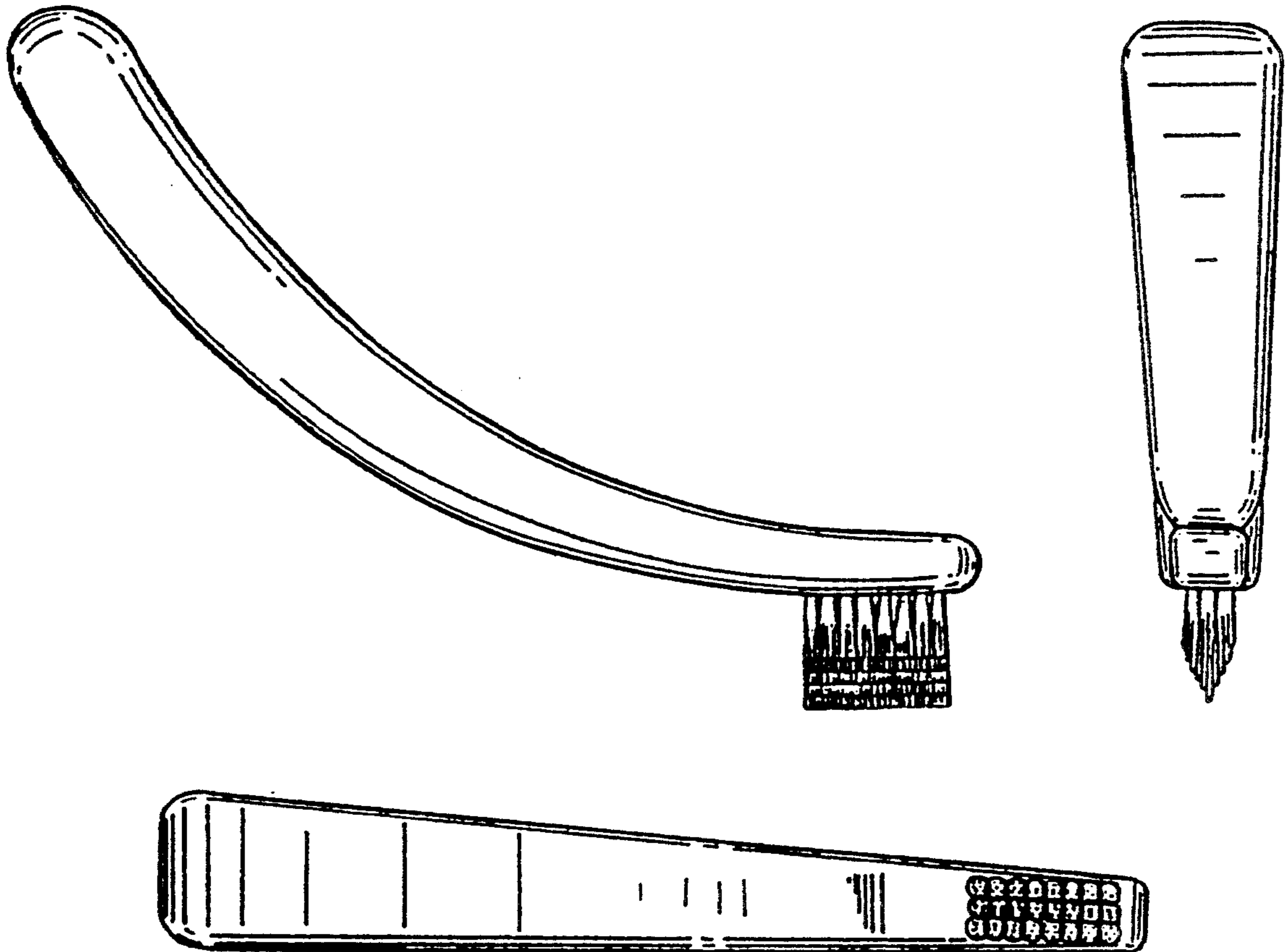


FIG. 1

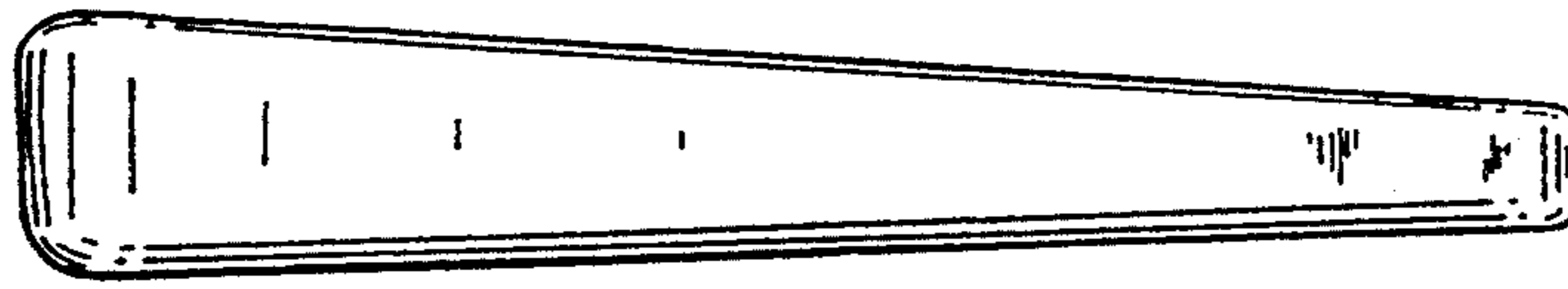


FIG. 2

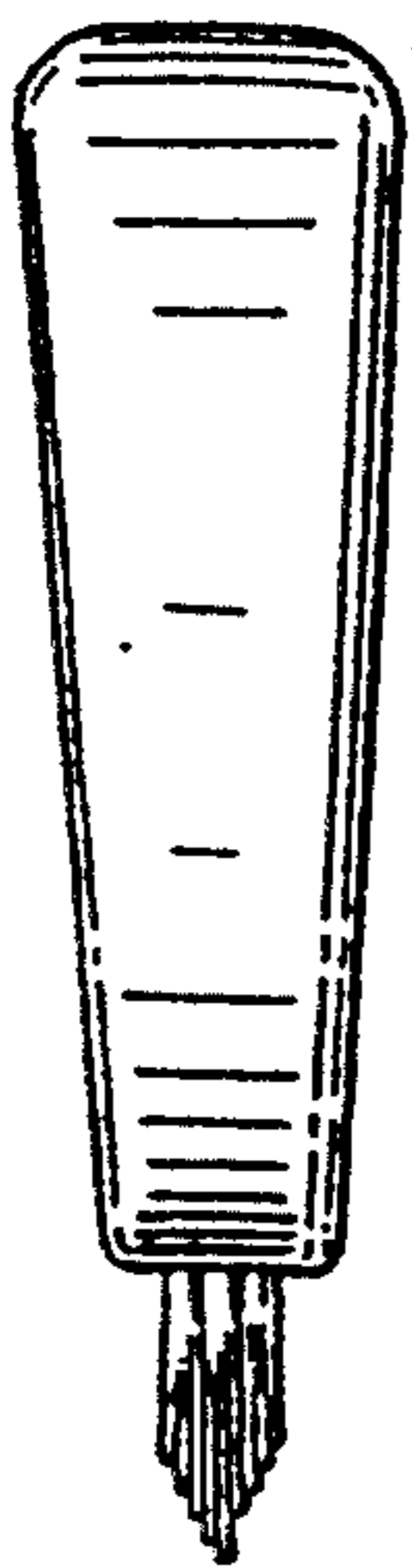


FIG. 4

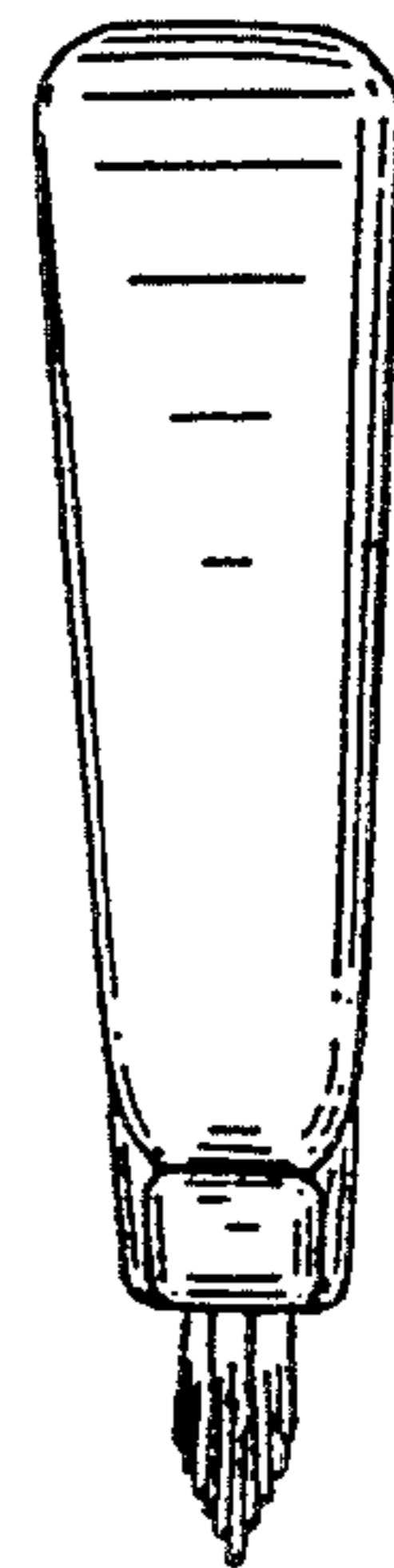


FIG. 3

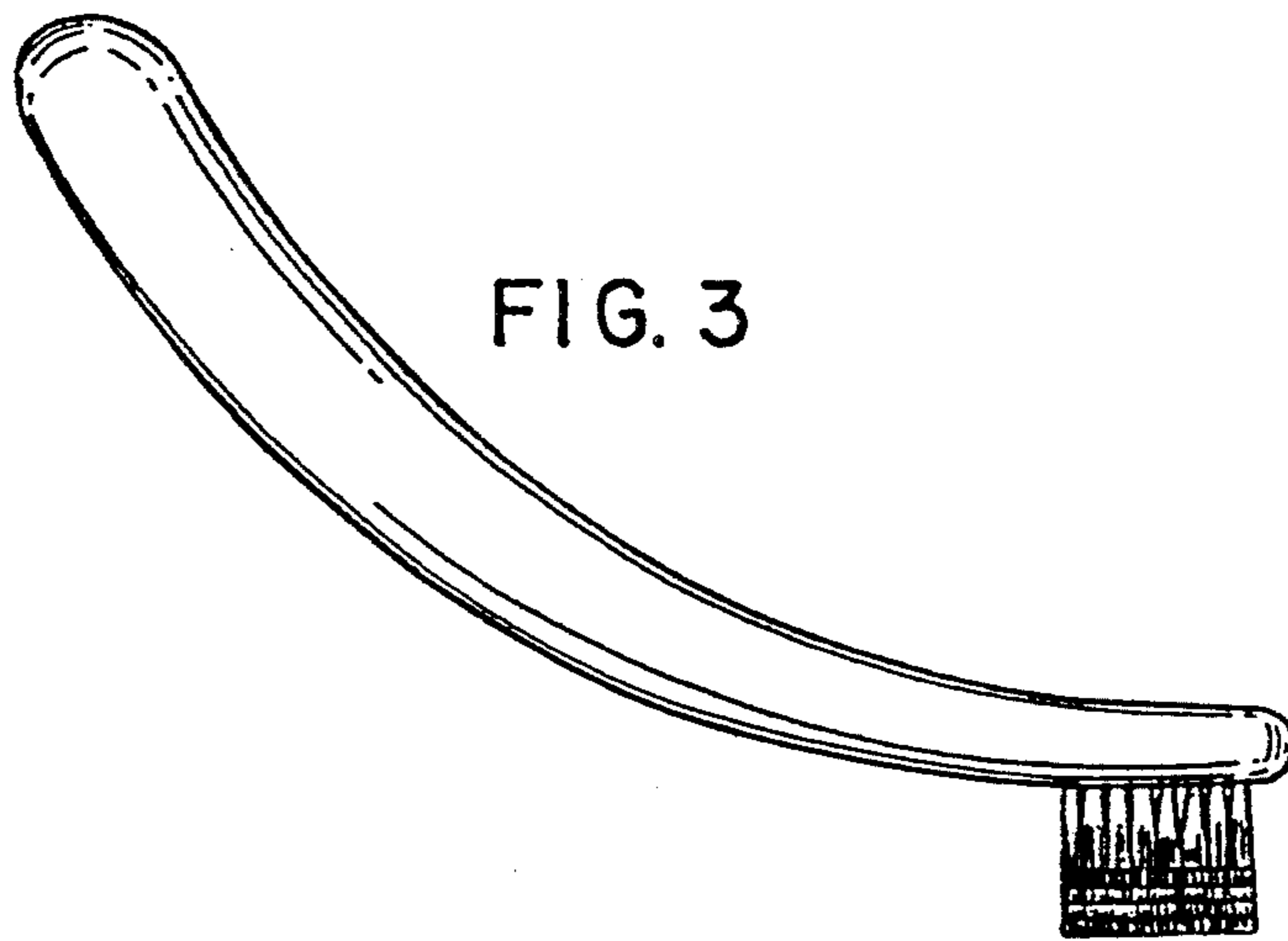


FIG. 5

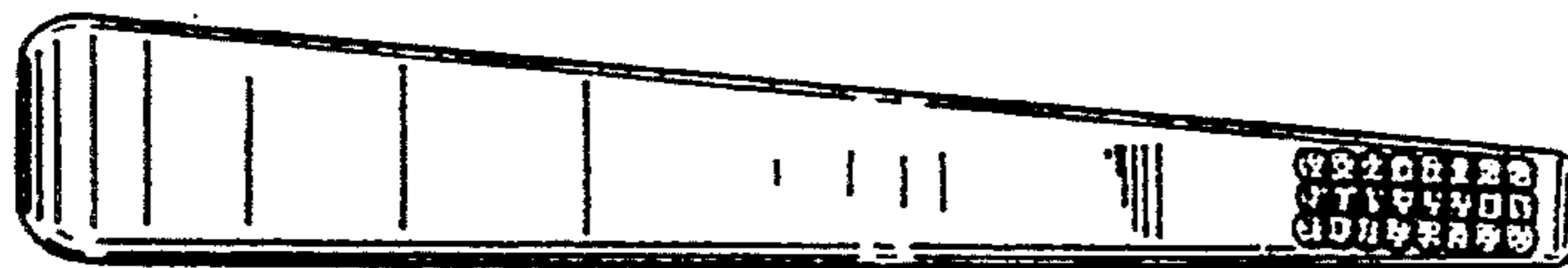


FIG. 6

