



US00D358205S

United States Patent [19]

[11] Patent Number: **Des. 358,205**

Ruhland

[45] Date of Patent: **** May 9, 1995**

[54] **GRILL FOR A VENT**

[57] CLAIM

[75] Inventor: **John Ruhland**, Cumberland, Canada

The ornamental design for a grill for a vent, as shown and described.

[73] Assignee: **Ottawa Mould Craft Ltd.**, Canada

DESCRIPTION

[**] Term: **14 Years**

FIG. 1 is a top perspective view of the grill of the present design;

[21] Appl. No.: **12,260**

FIG. 2 is a top plan view thereof;

FIG. 3 is a bottom plan view thereof;

[22] Filed: **Aug. 27, 1993**

FIG. 4 is a front view thereof, the rear view being identical;

[30] Foreign Application Priority Data

FIG. 5 is a cross-sectional view thereof taken along line 5—5 of FIG. 2 and looking in the direction of the arrows;

Mar. 1, 1993 [CA] Canada 01-03-93-1

FIG. 6 is a side view of the grill, the other side view being identical;

[52] U.S. Cl. **D23/393**

FIG. 7 is a cross-sectional view thereof taken along line 7—7 of FIG. 2 and looking in the direction of the arrows;

[58] Field of Search D23/388, 389, 392, 393,
D23/324, 325; 454/284, 289, 290, 309; 52/507,
663, 473; 49/38

FIG. 8 is a top perspective view of the grill showing a second embodiment of my new design, the sole difference from the first embodiment resides in the appearance of the width of the grill;

[56] References Cited

U.S. PATENT DOCUMENTS

2,985,089 5/1961 Gilmore 52/473
3,938,430 2/1976 Koppang 454/290

FIG. 9 is a top plan view of FIG. 8;

FIG. 10 is a bottom plan view of FIG. 8;

FIG. 11 is a front view of FIG. 8, the rear being identical;

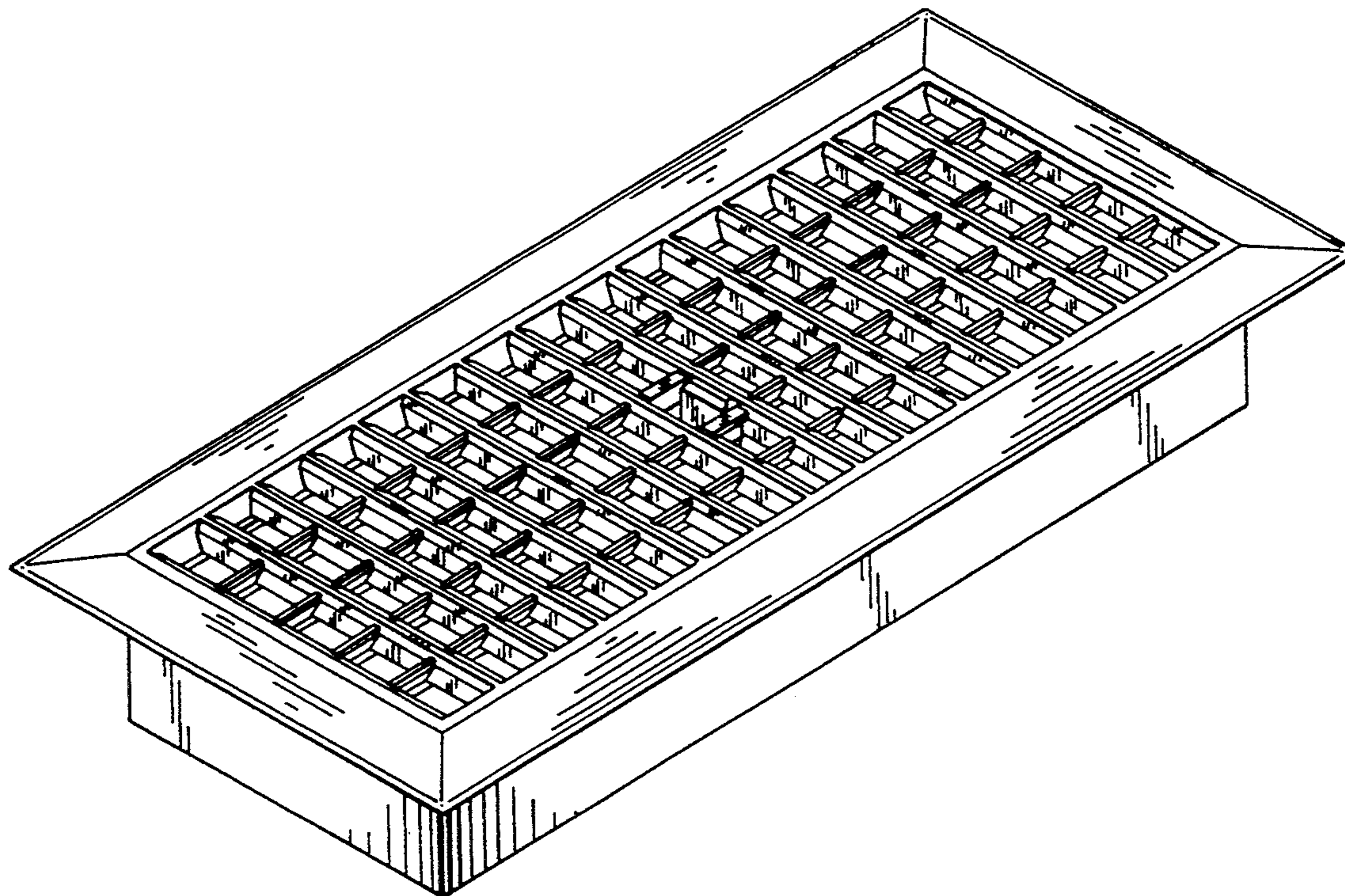
FOREIGN PATENT DOCUMENTS

60548 3/1988 Canada .

FIG. 12 is a cross-sectional view of FIG. 8, taken along line 12—12 and looking in the direction of the arrows; FIG. 13 is a side view of FIG. 8, the other side being identical; and,

FIG. 14 is a cross-sectional view taken along line 14—14 of FIG. 8 and looking in the direction of the arrows.

Primary Examiner—Lisa P. Lichtenstein
Attorney, Agent, or Firm—Stevens, Davis, Miller & Mosher



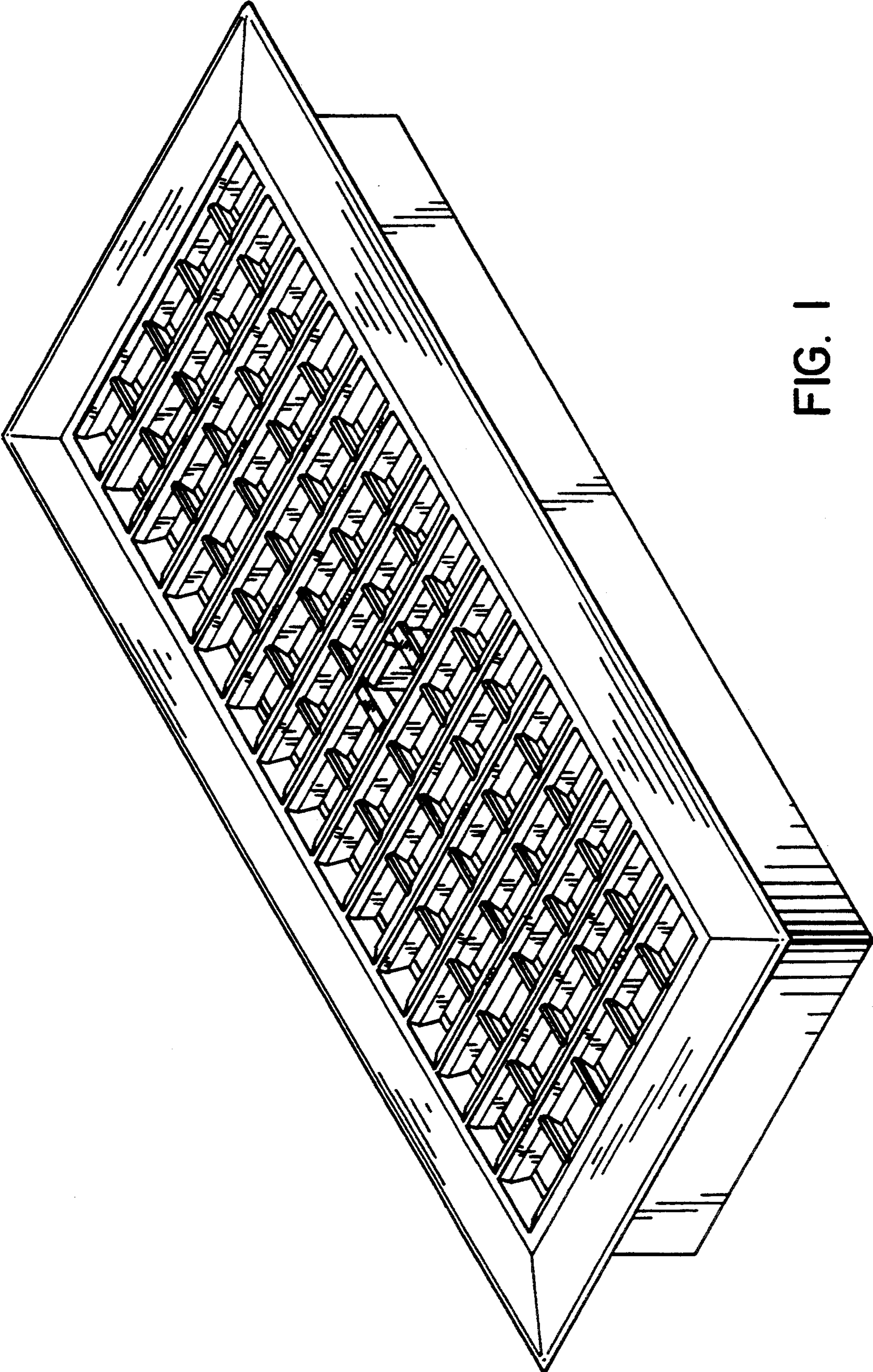


FIG. 1

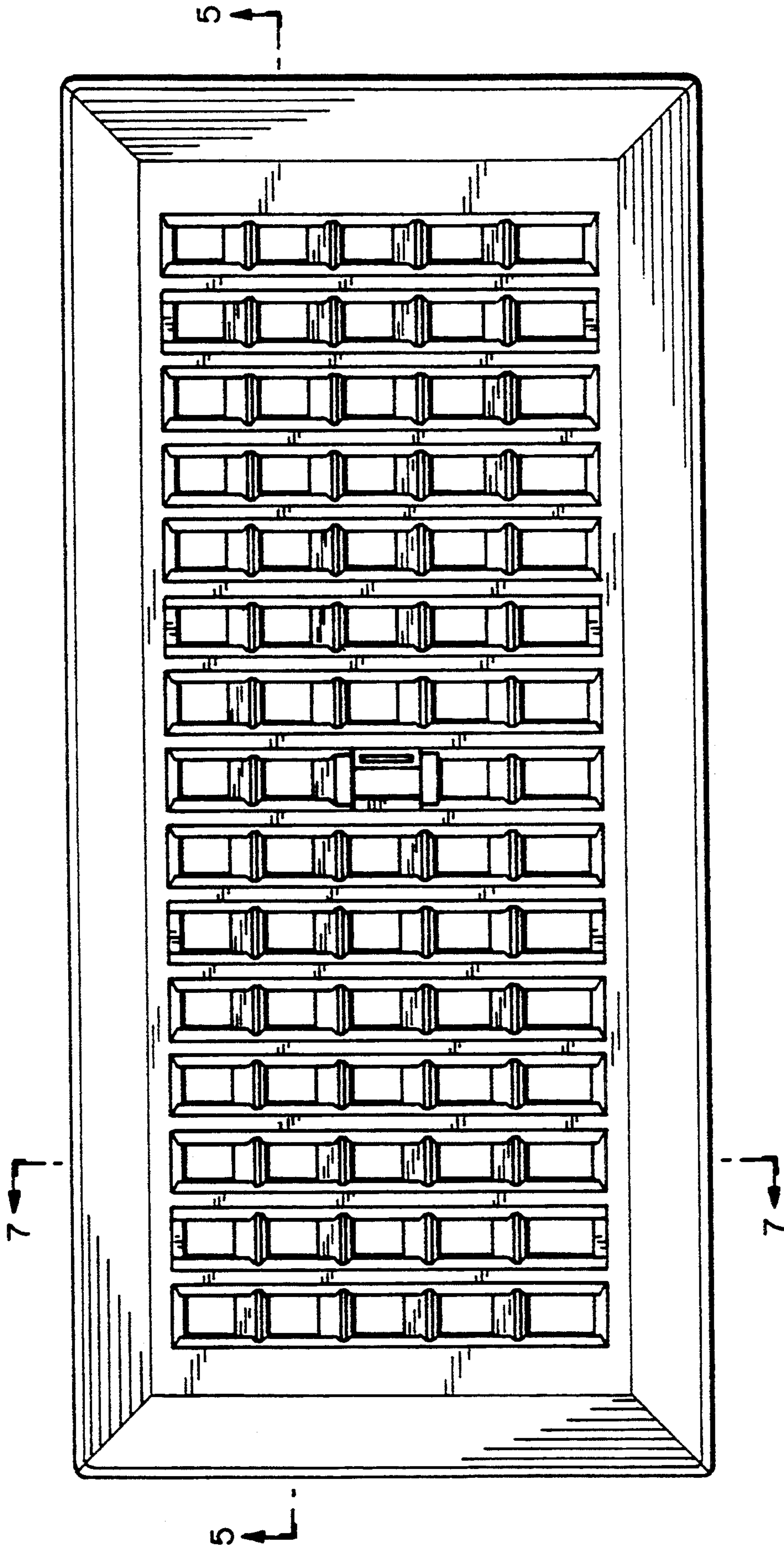


FIG. 2

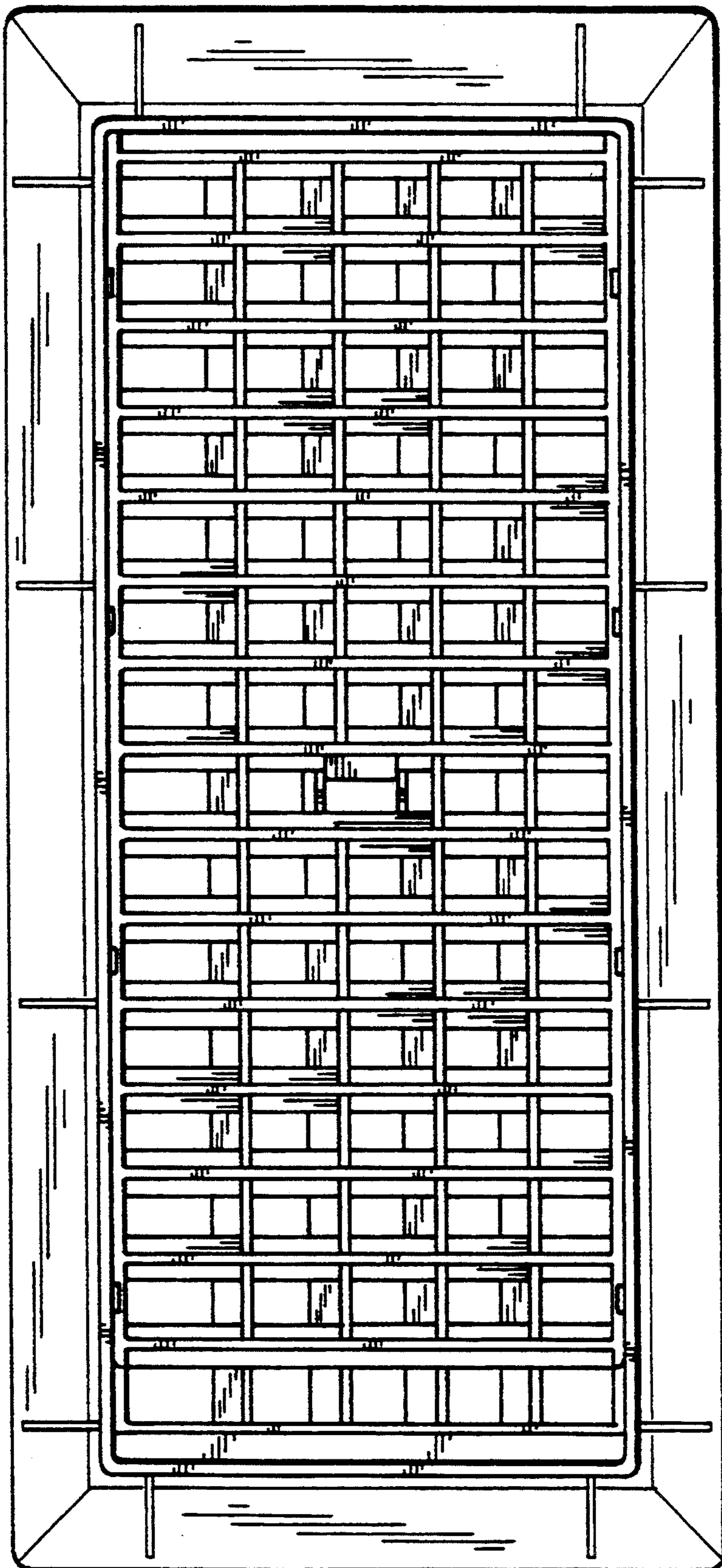


FIG. 3



FIG. 4

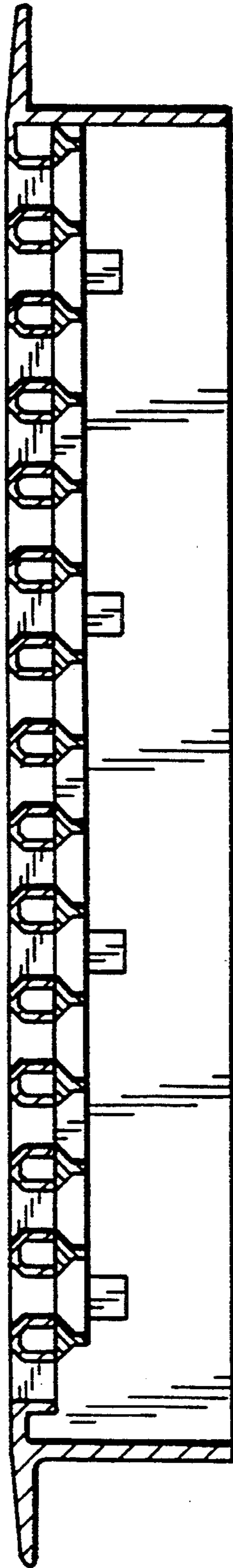


FIG. 5

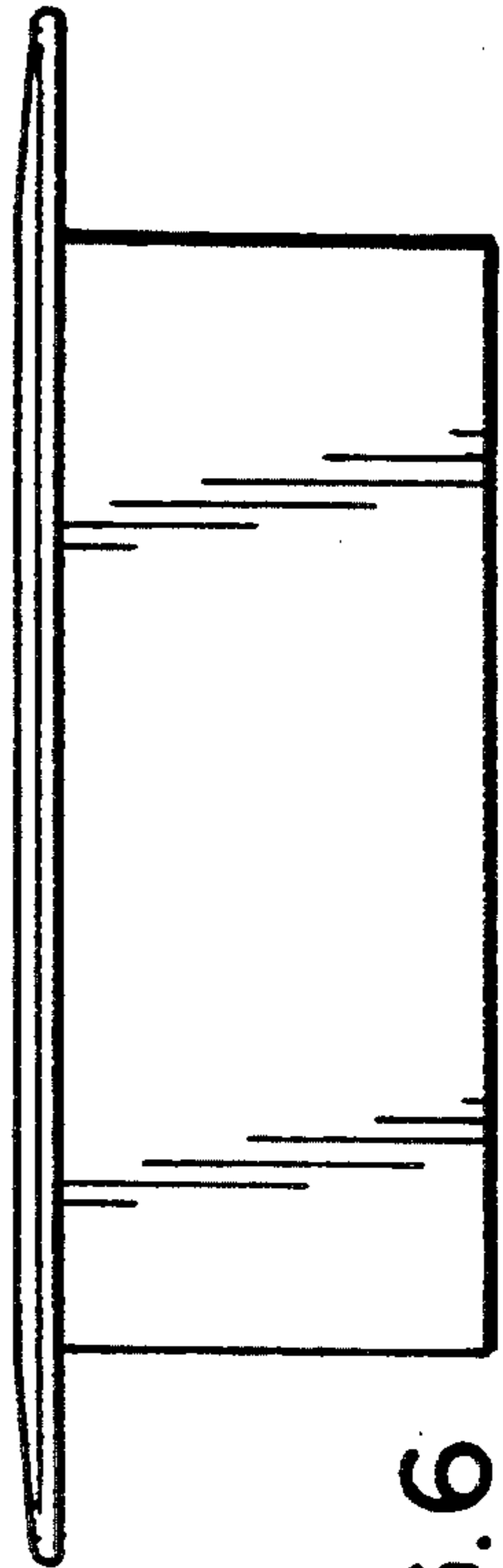


FIG. 6

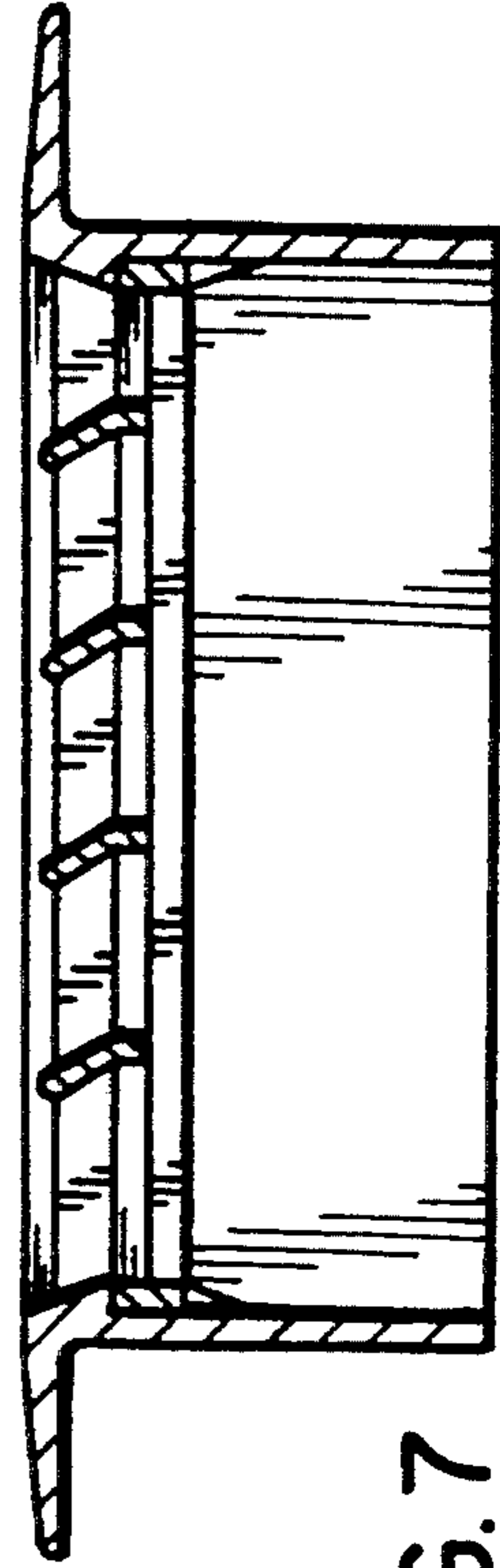


FIG. 7

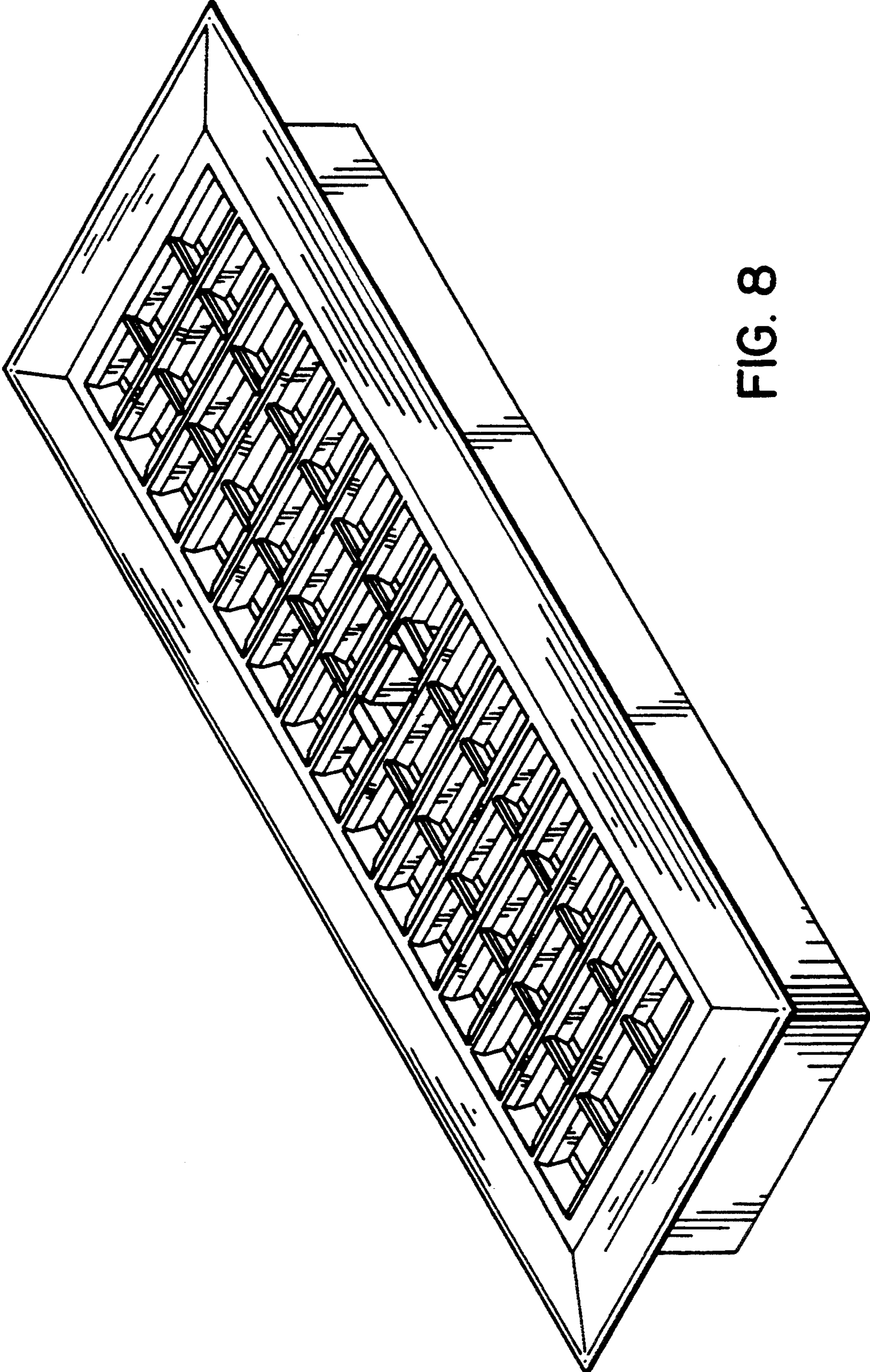


FIG. 8

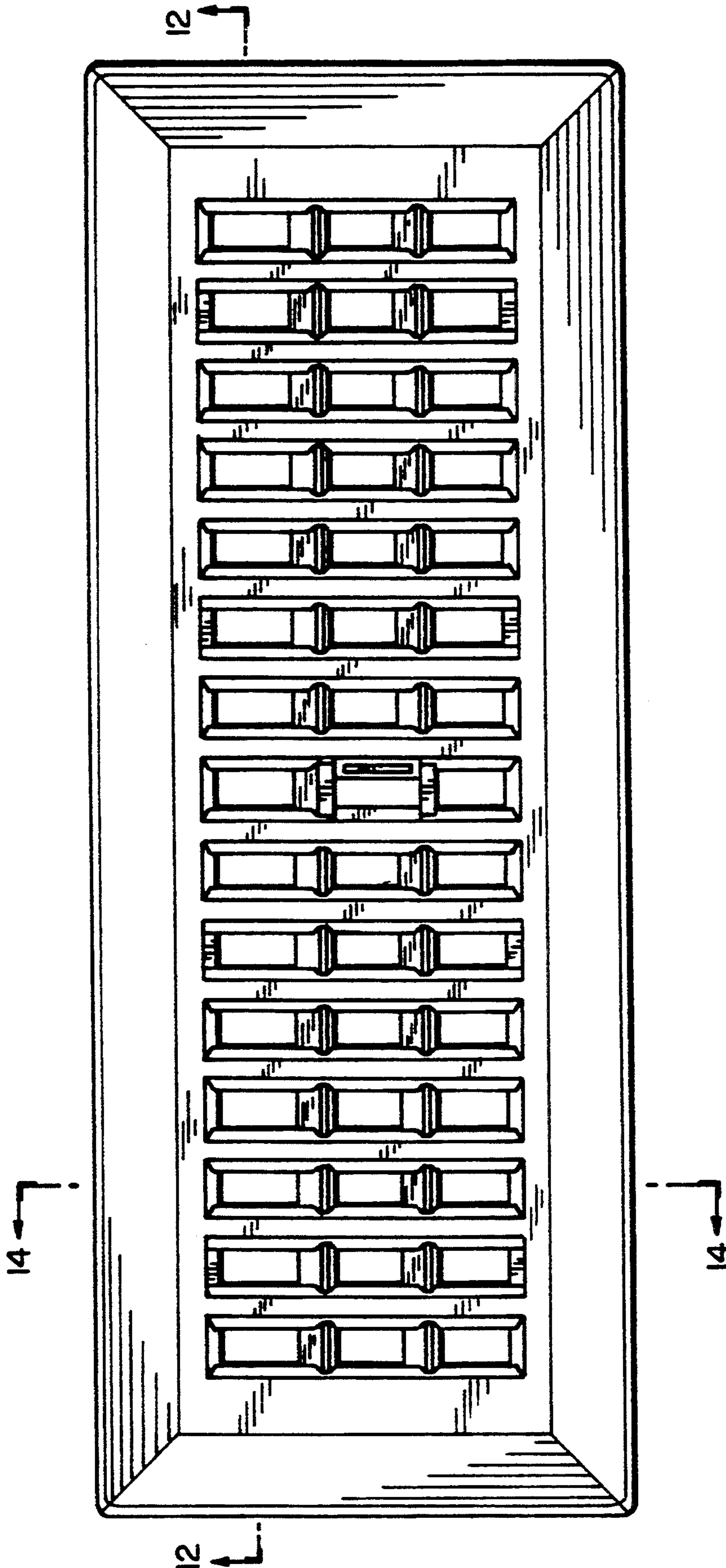


FIG. 9

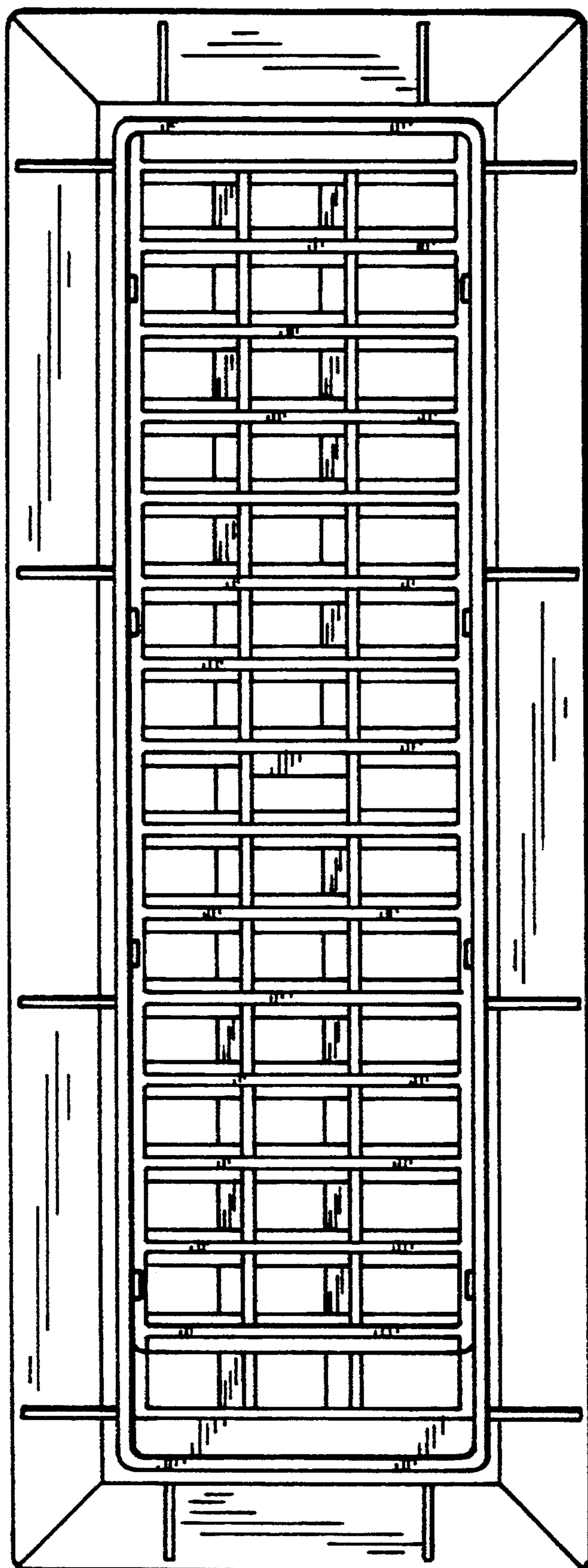


FIG. 10

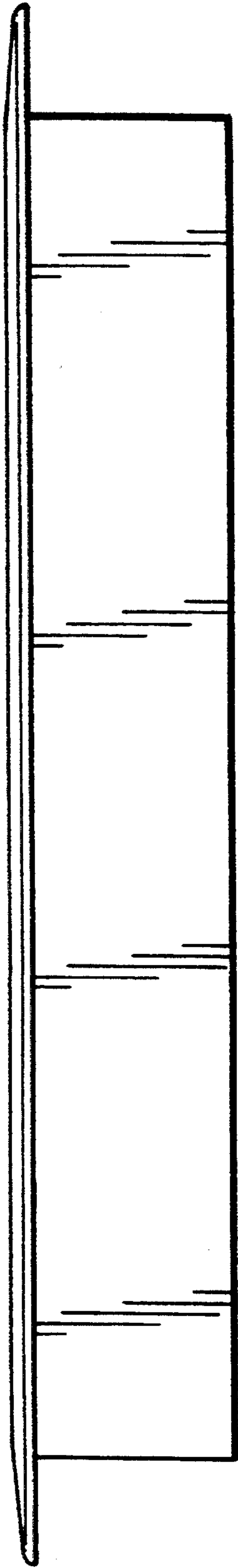


FIG. 11

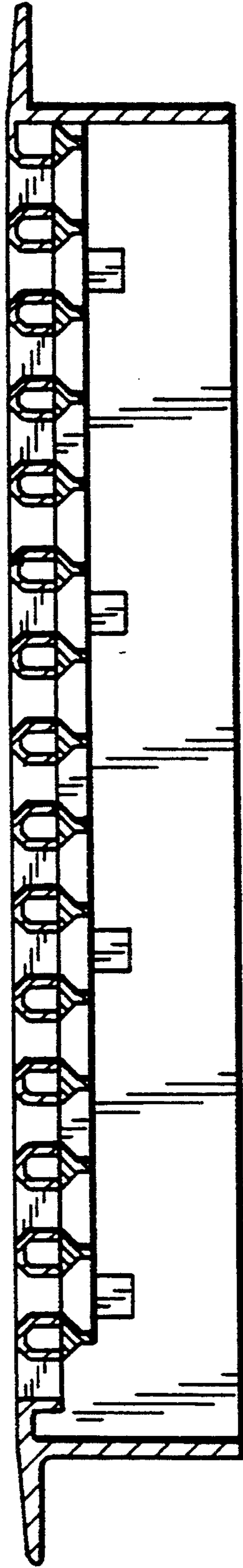


FIG. 12

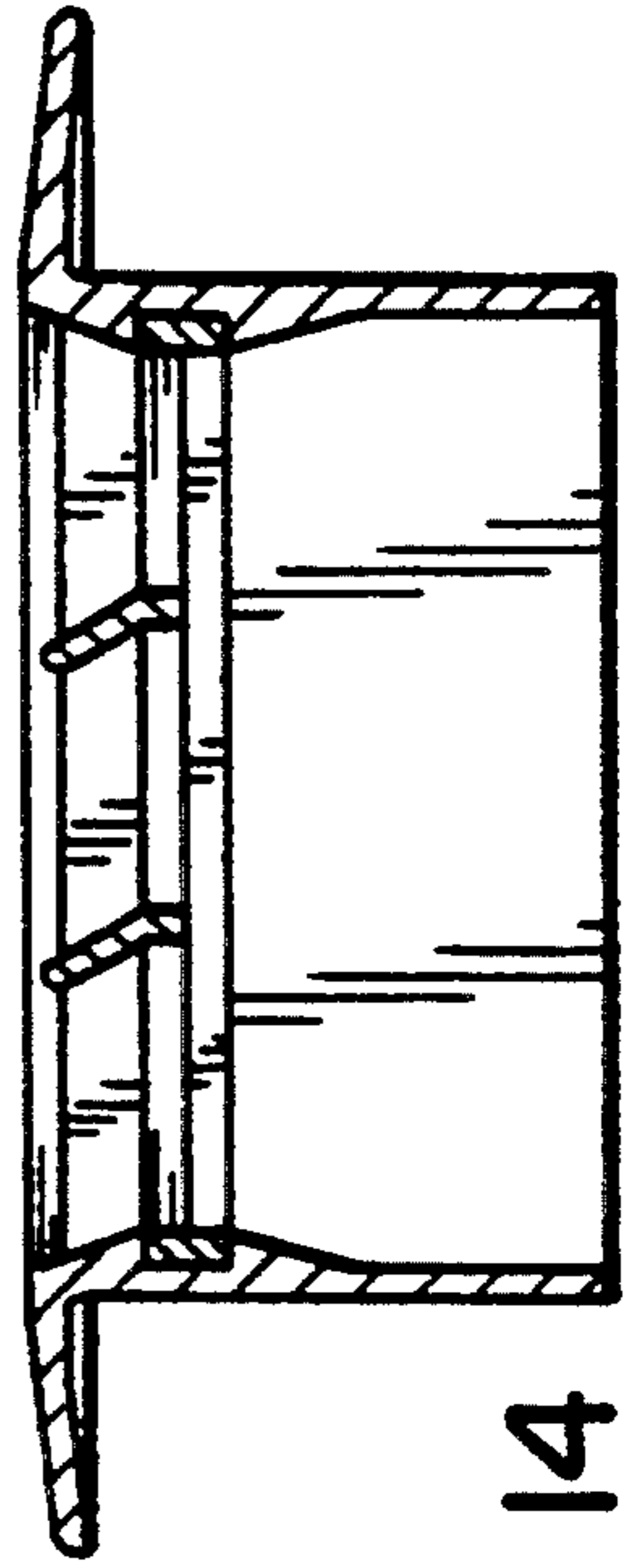


FIG. 14

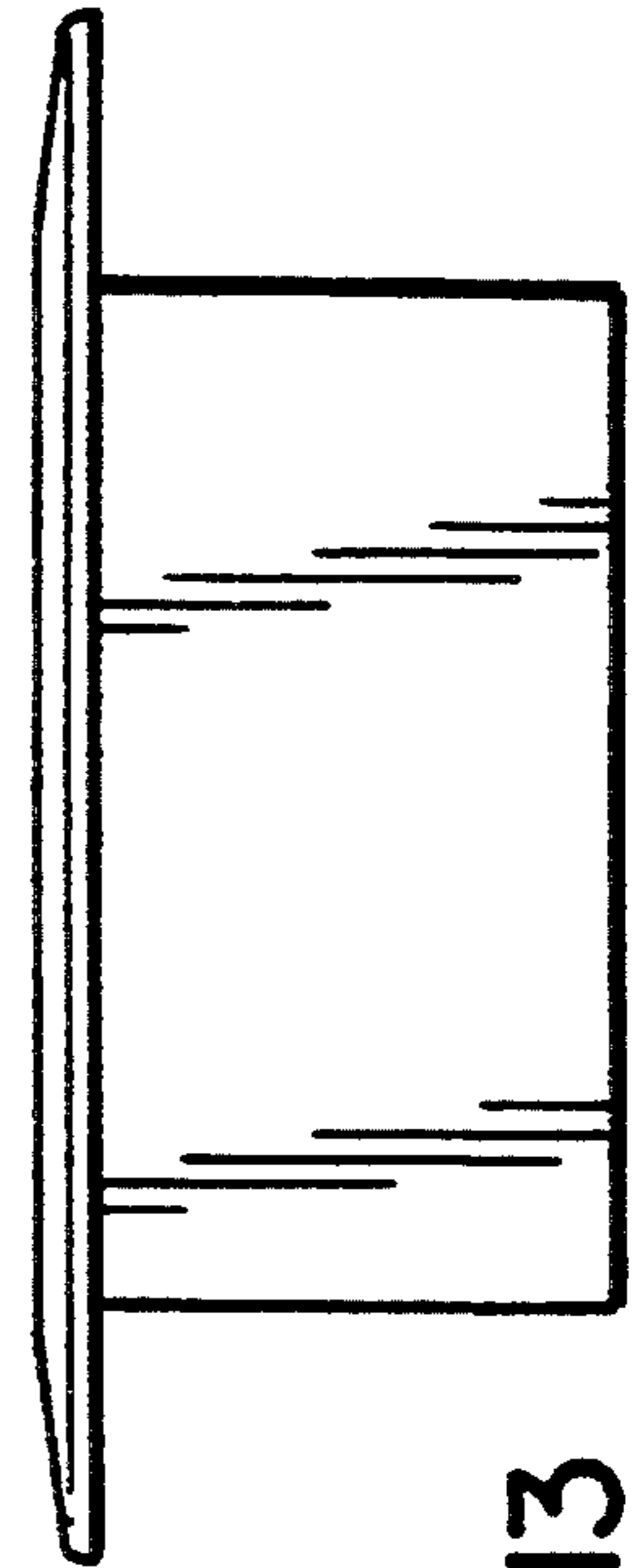


FIG. 13